



US00D452616B1

(12) **United States Design Patent**  
**Varriale**

(10) **Patent No.:** **US D452,616 S**

(45) **Date of Patent:** **\*\* Jan. 1, 2002**

(54) **HAIR BRUSH HANDLE**

(75) Inventor: **Luciano Varriale**, Turin (IT)

(73) Assignee: **Gemelli Enterprises, L.L.C.**, Houston, TX (US)

(\*\*) Term: **14 Years**

(21) Appl. No.: **29/130,549**

(22) Filed: **Oct. 3, 2000**

(51) **LOC (7) Cl.** ..... **04-02**

(52) **U.S. Cl.** ..... **D4/138**

(58) **Field of Search** ..... D4/127, 128, 132-136, D4/138; D8/107, DIG. 7; D28/35; 15/23, 27, 143.1, 159.1, 160, 206; 16/110.1, 430, DIG. 12; 132/120, 271, 313

(56) **References Cited**

**U.S. PATENT DOCUMENTS**

- D. 366,761 \* 2/1996 Gertsma et al. .... D4/128
- 5,979,463 \* 11/1999 Santy, III et al. .... 132/120

**FOREIGN PATENT DOCUMENTS**

0233304 \* 8/1987 (EP) .

\* cited by examiner

*Primary Examiner*—Alan P. Douglas

*Assistant Examiner*—Lavone Tabor

(57) **CLAIM**

The ornamental design for a hair brush handle, as shown and described.

**DESCRIPTION**

FIG. 1 is a front view of a hair brush handle constructed in accordance with the teachings of the present invention.

FIG. 2 is a right side view of the brush handle of FIG. 1.

FIG. 3 is a back view of the brush handle of FIG. 1.

FIG. 4 is a left side view of the brush handle of FIG. 1.

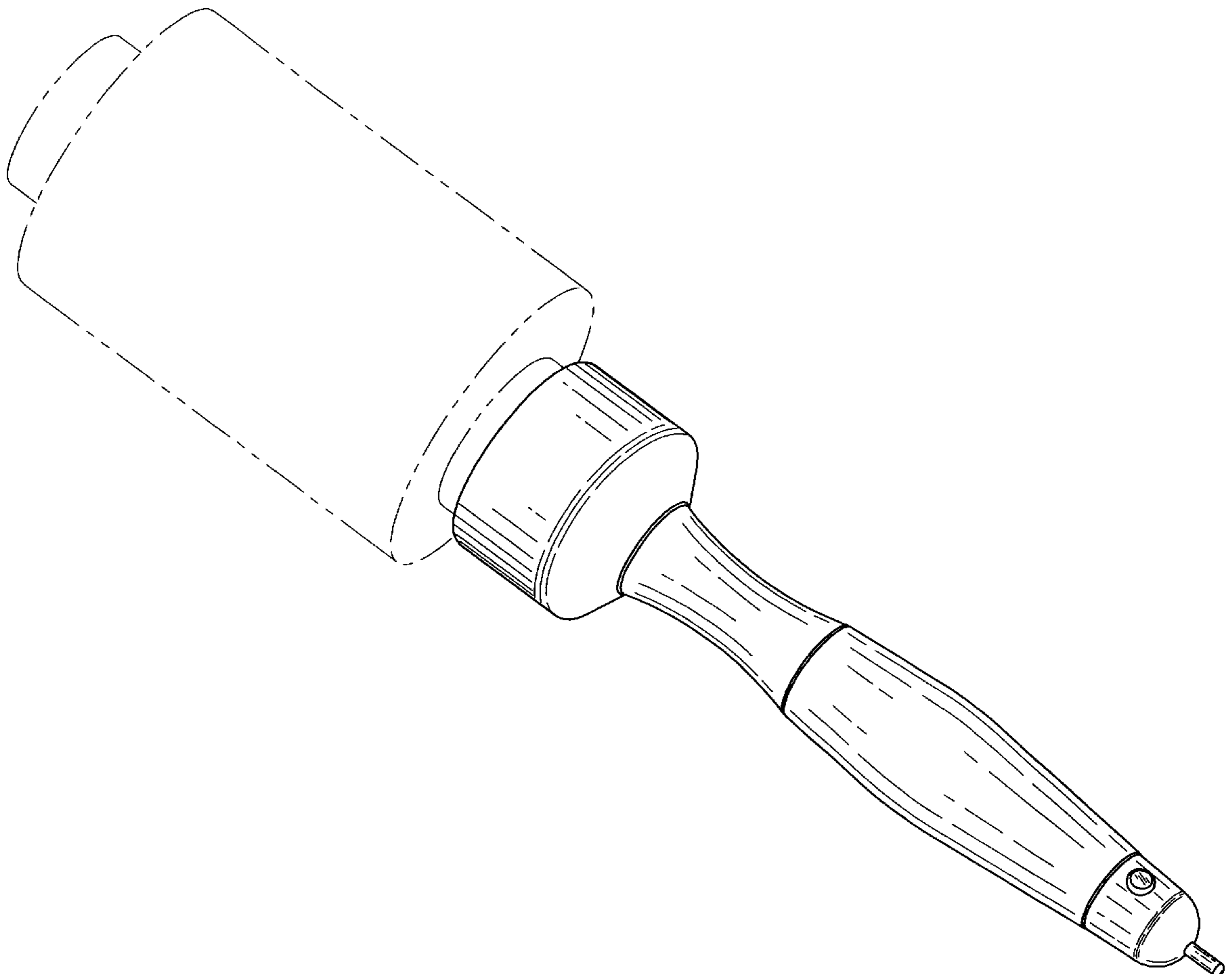
FIG. 5 is an isometric view of the brush handle of FIG. 1 looking from the bottom end.

FIG. 6 is a top end view of the brush handle of FIG. 1; and,

FIG. 7 is a bottom end view of the brush handle of FIG. 1.

It will be further understood that the broken line showing the brush head throughout the drawings is for illustrative purposes only and forms no part of the subject invention.

**1 Claim, 4 Drawing Sheets**



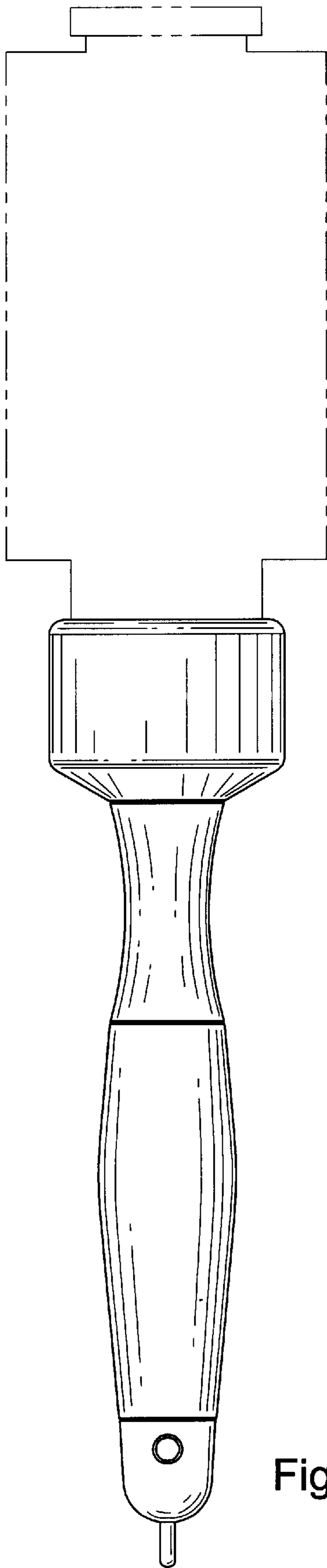


Fig. 1

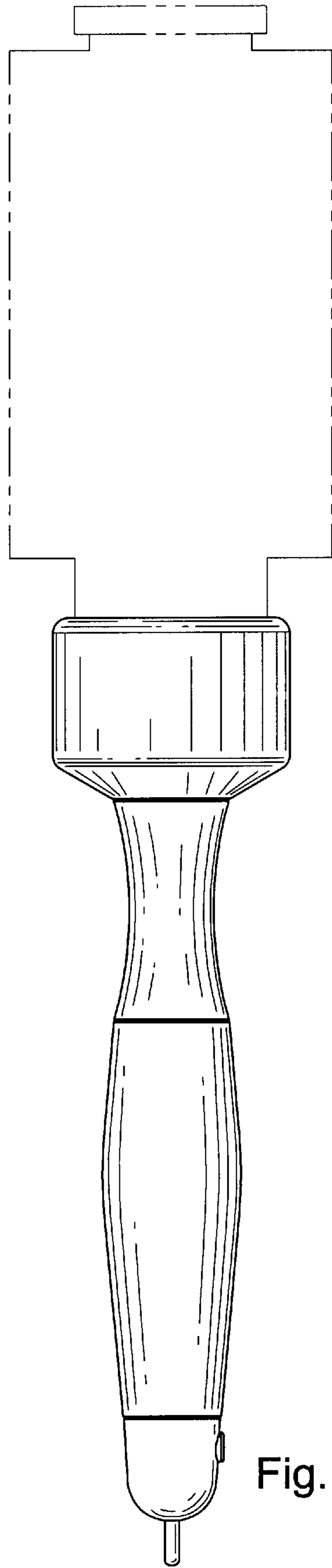


Fig. 2

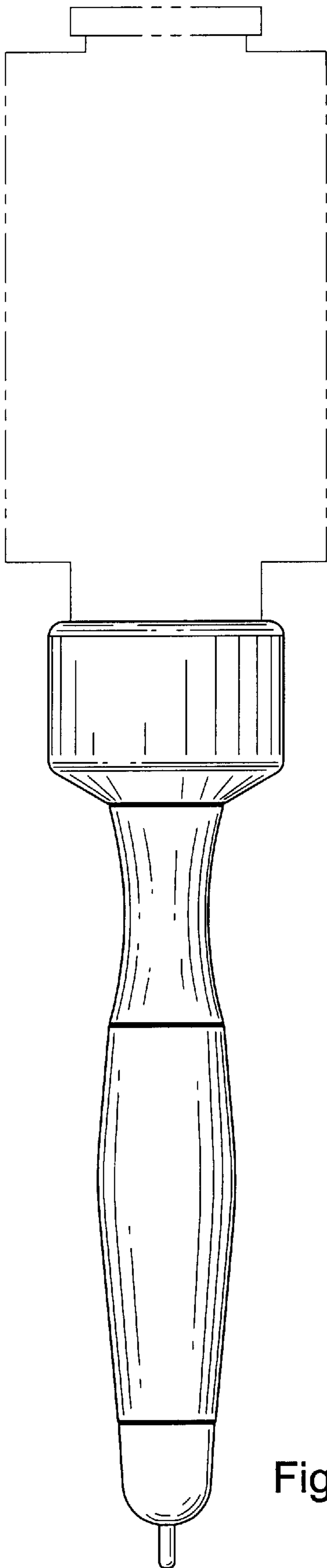


Fig. 3

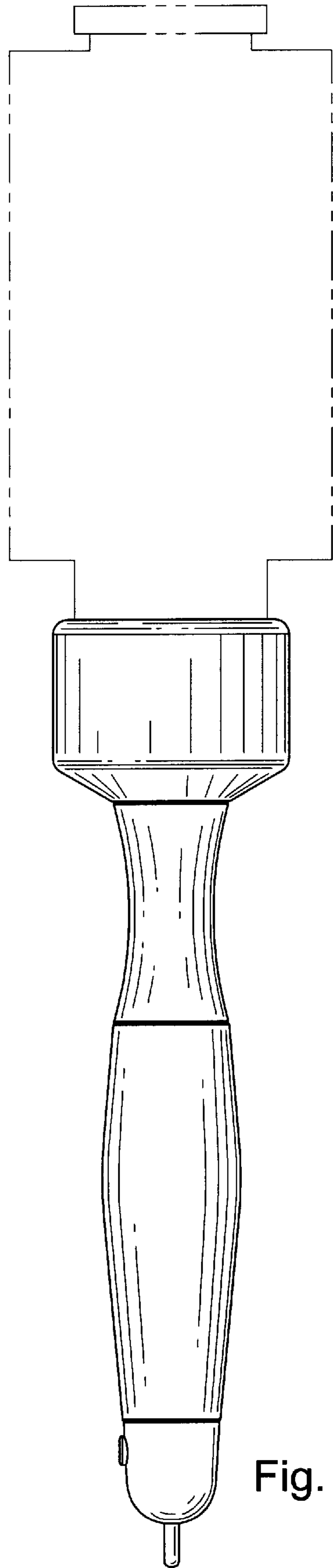
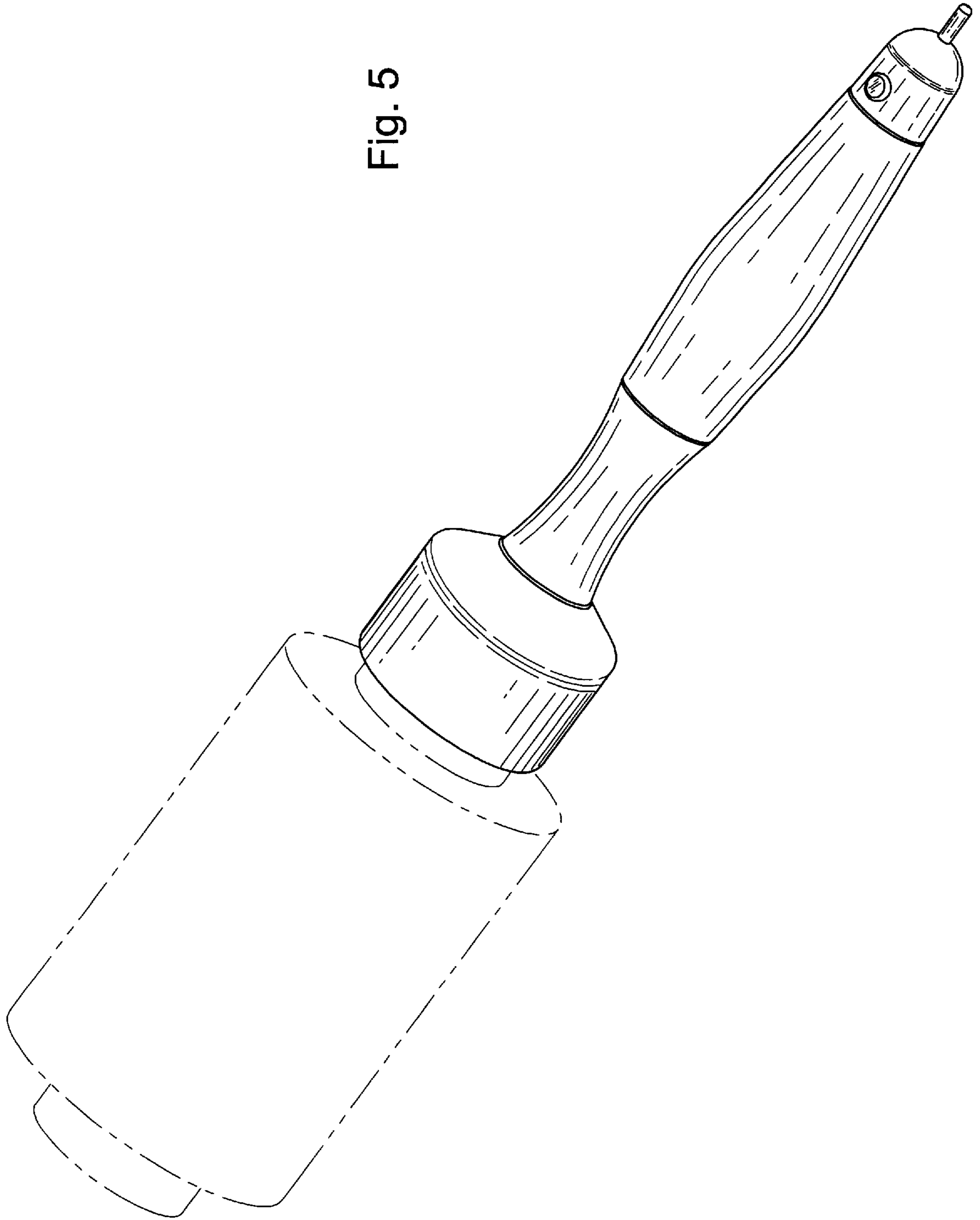


Fig. 4

Fig. 5



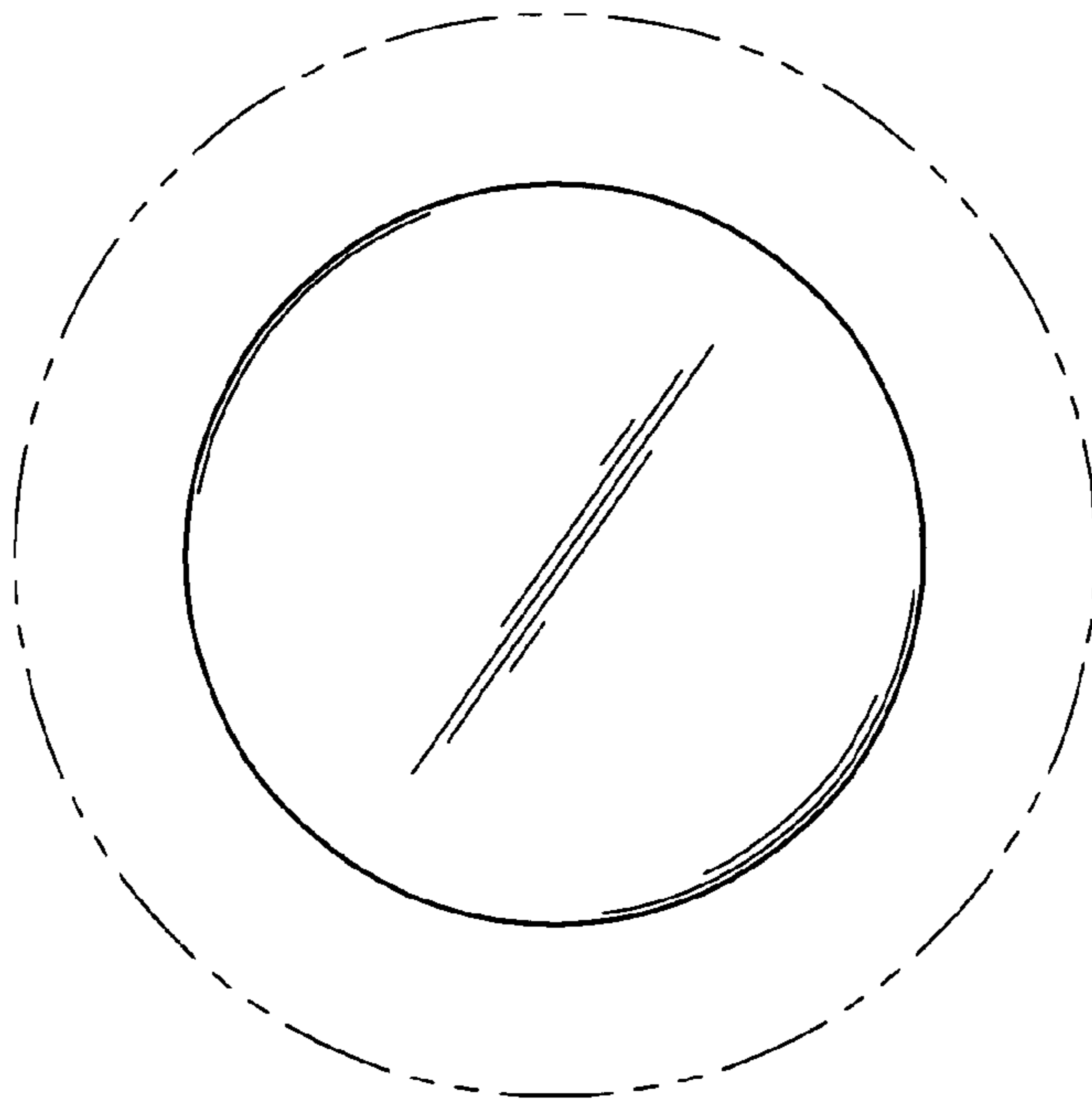


Fig. 6

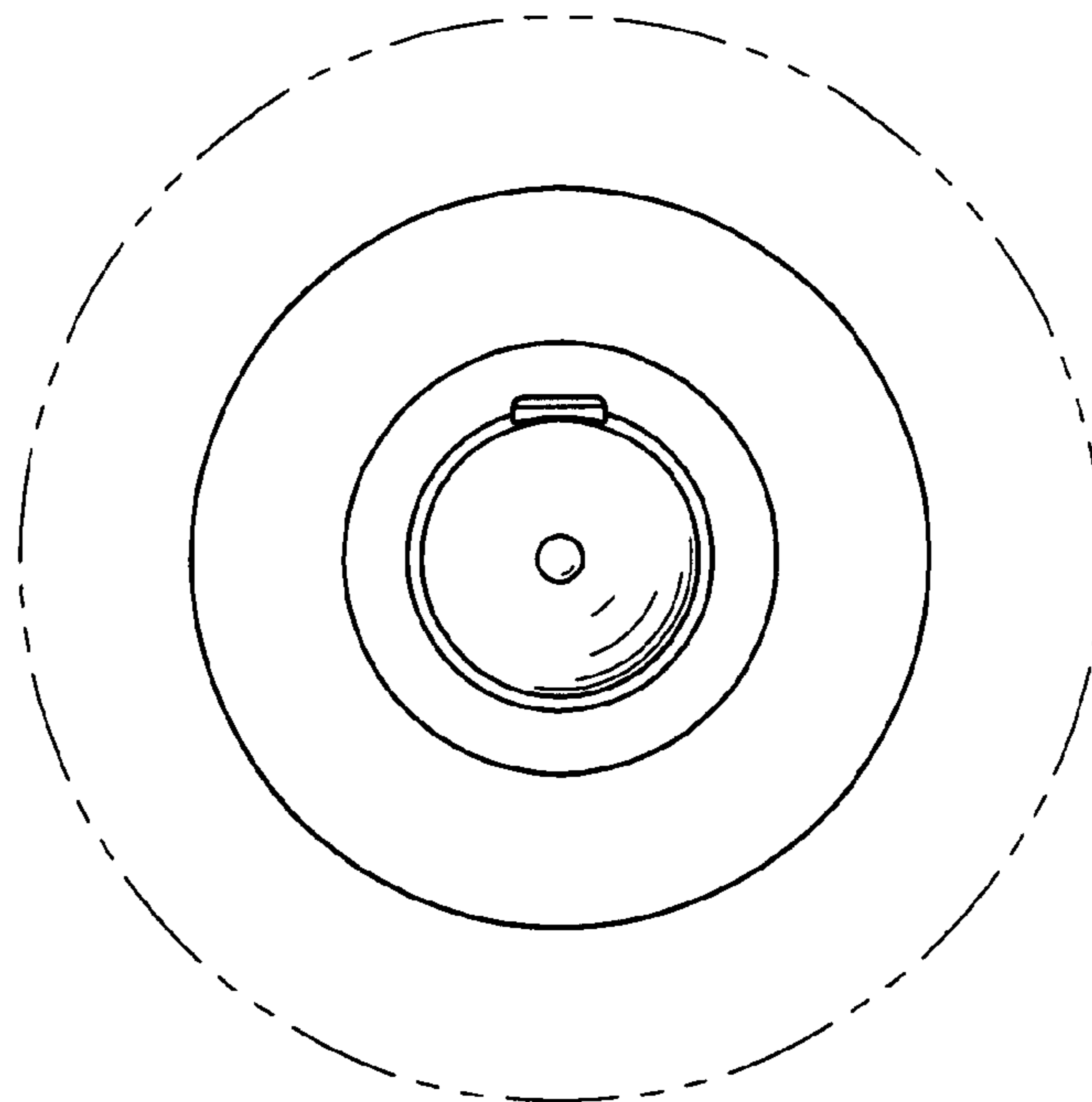


Fig. 7