



US00D452603B1

(12) **United States Design Patent**
Bunner, Jr.

(10) **Patent No.:** **US D452,603 S**

(45) **Date of Patent:** **** Jan. 1, 2002**

(54) **COMBINED BASEBALL HAT AND GLOVE**

5,907,871 A * 6/1999 Austin 2/209.12
5,920,913 A 7/1999 Brandon et al.

(76) Inventor: **Joseph V Bunner, Jr.**, 49 Transverse Ave., Baltimore, MD (US) 21220

* cited by examiner

(**) Term: **14 Years**

Primary Examiner—Paula A. Mortimer

(21) Appl. No.: **29/142,087**

(57) **CLAIM**

(22) Filed: **May 18, 2001**

The ornamental design for a combined baseball hat and glove, as shown and described.

(51) **LOC (7) Cl.** **02-03**

DESCRIPTION

(52) **U.S. Cl.** **D2/866**

(58) **Field of Search** D2/865, 866, 872, D2/876, 879, 882, 884, 886; 2/19, 20, 161.1, 181, 182.1, 183, 195.1, 195.2, 195.3, 209.11, 209.12, 209.13; 473/458

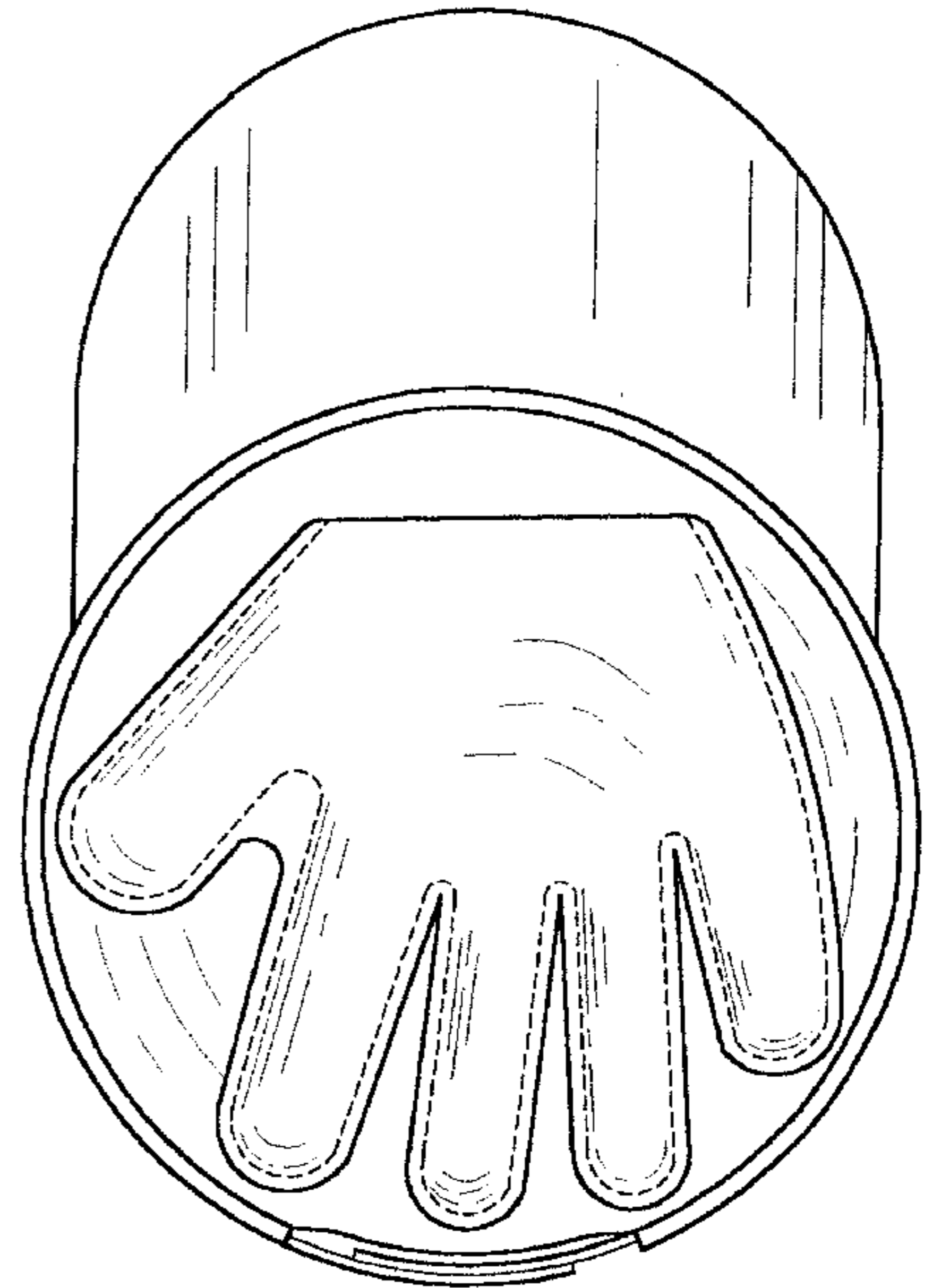
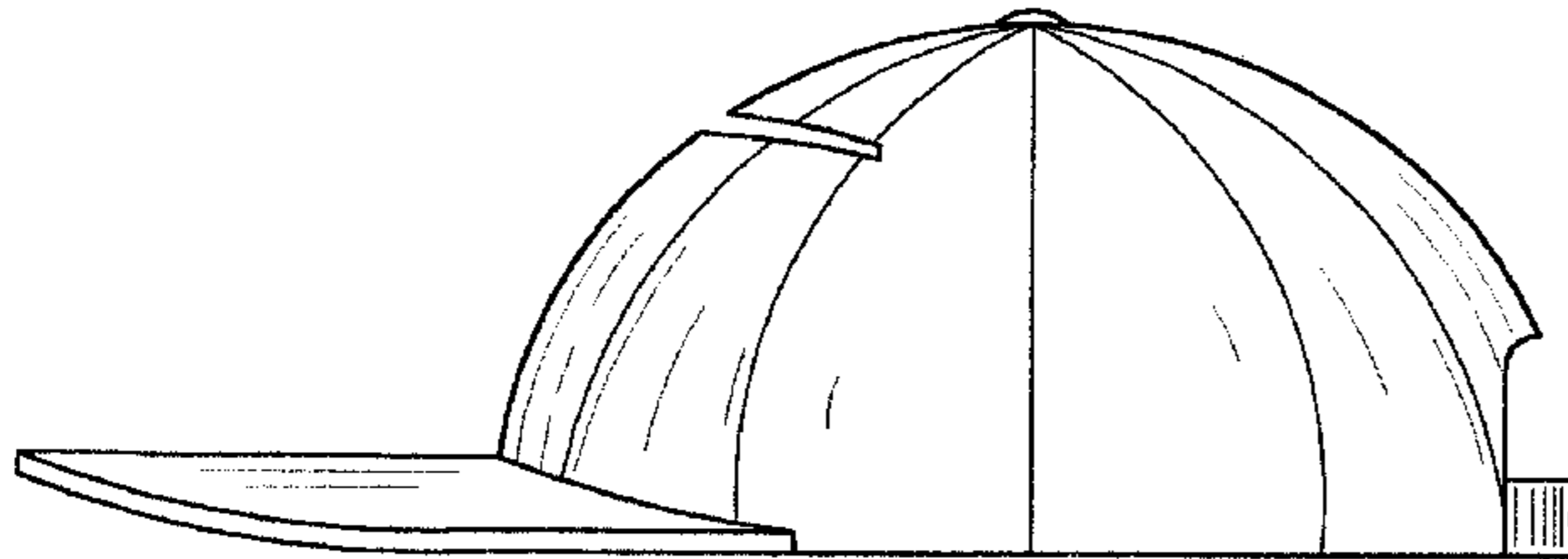
FIG. 1 is a front elevational view of the combined baseball hat and glove of the present invention;
FIG. 2 is a rear elevational view of the combined baseball hat and glove of FIG. 1;
FIG. 3 is a right side elevational view of the combined baseball hat and glove of FIG. 1;
FIG. 4 is a left side elevational view of the combined baseball hat and glove of FIG. 1;
FIG. 5 is a top plan view of the combined baseball hat and glove of FIG. 1; and,
FIG. 6 is a bottom plan view of the combined baseball hat and glove of FIG. 1.

(56) **References Cited**

U.S. PATENT DOCUMENTS

D285,141 S	8/1986	Whisman
4,628,543 A	12/1986	Hunt
4,768,232 A	9/1988	Villalobos
4,829,600 A	5/1989	Courtney
5,542,129 A	8/1996	Munoz
5,724,676 A *	3/1998	Amendolia et al. 2/195.2

1 Claim, 3 Drawing Sheets



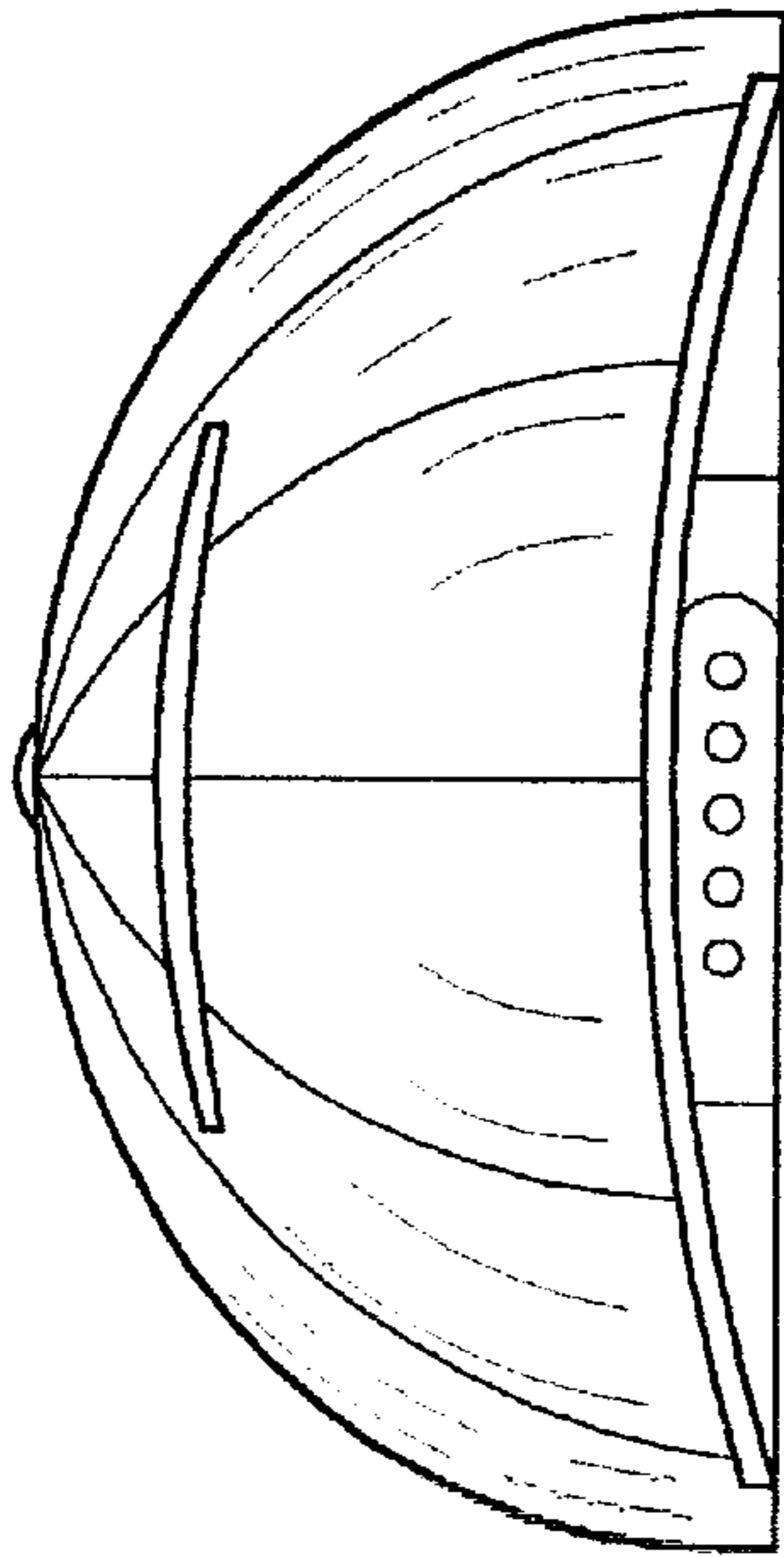


FIG. 1

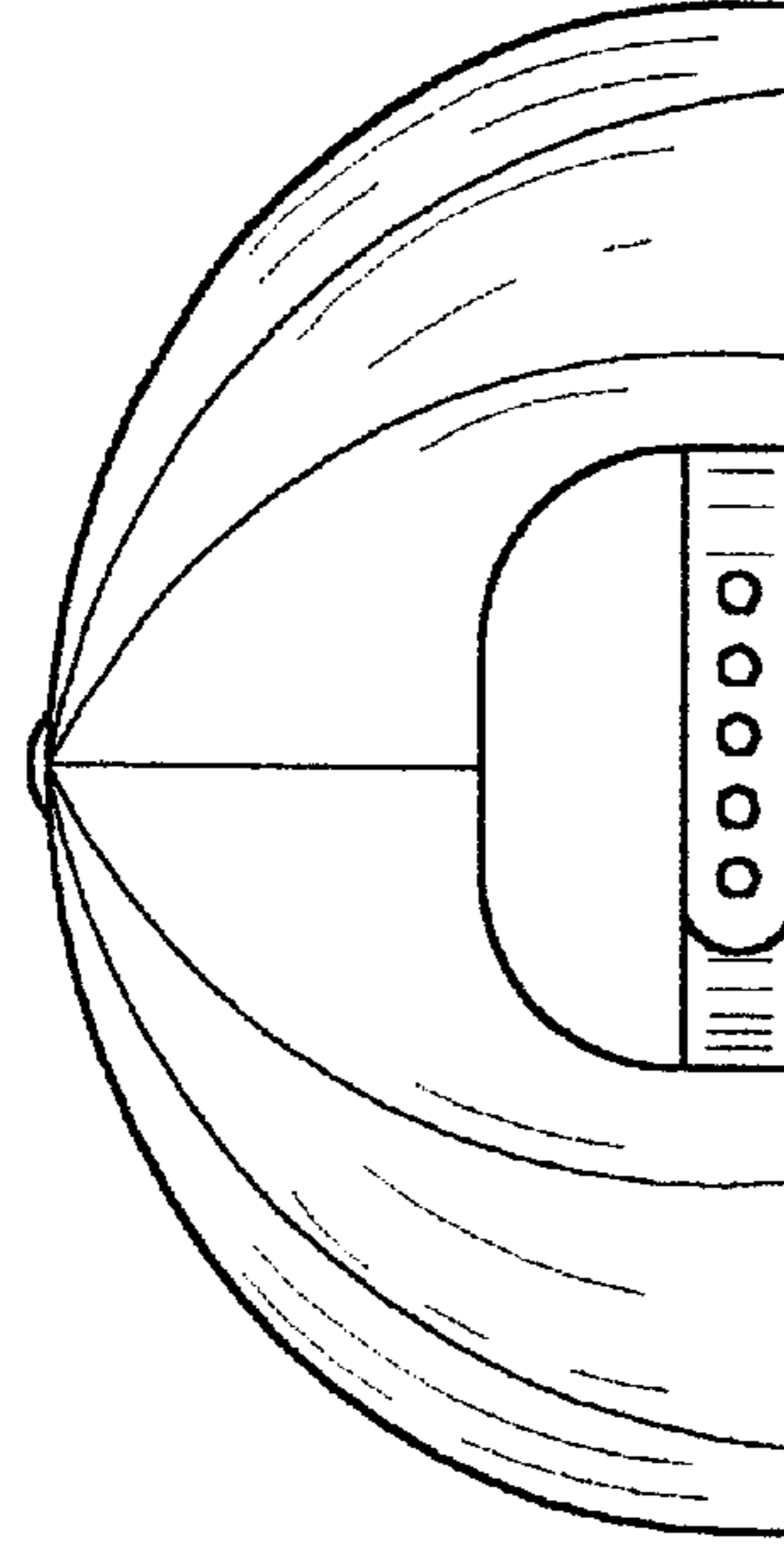


FIG. 2

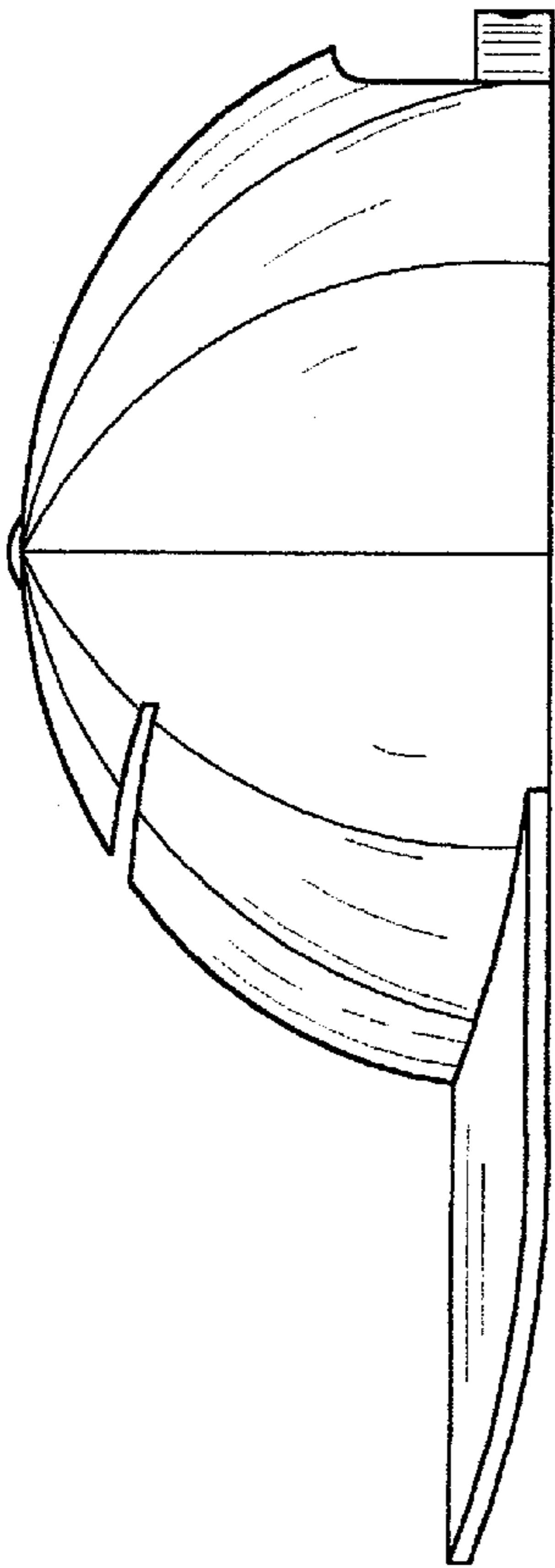


FIG. 3

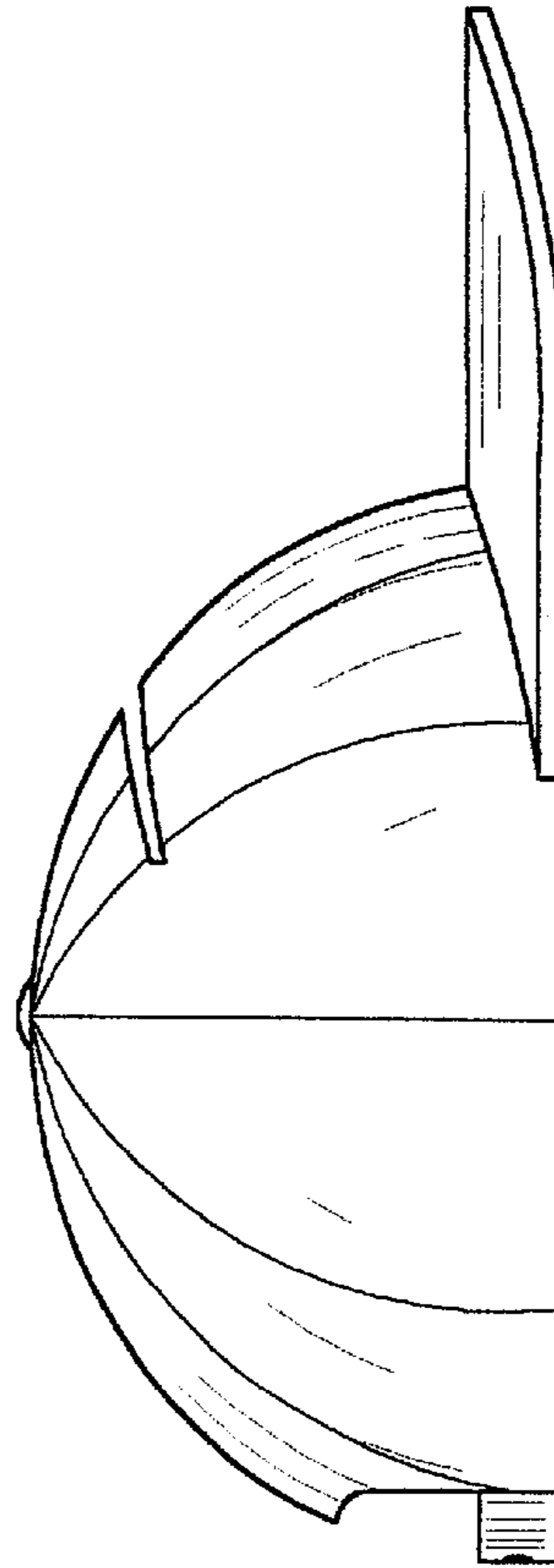


FIG. 4

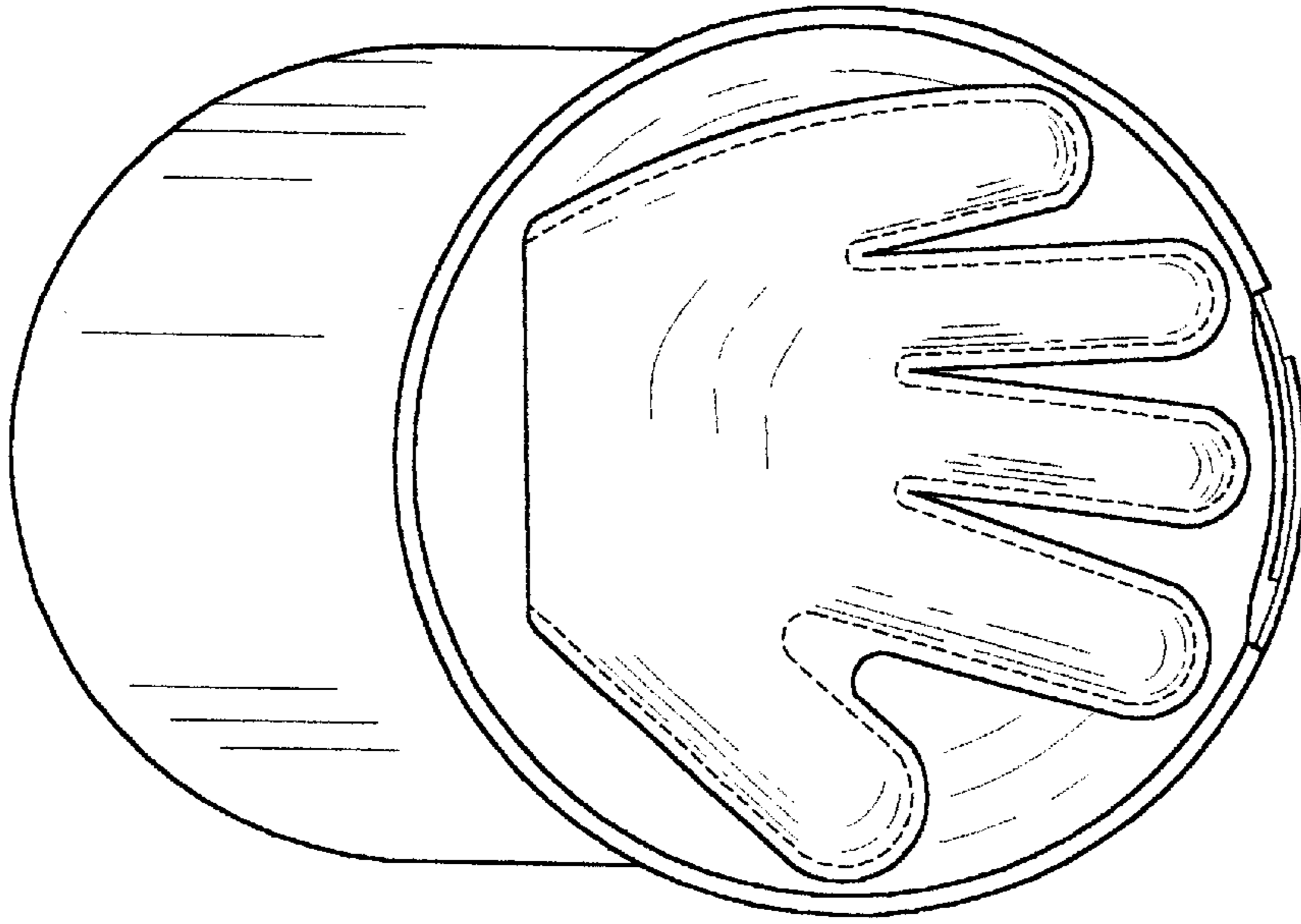


FIG. 6

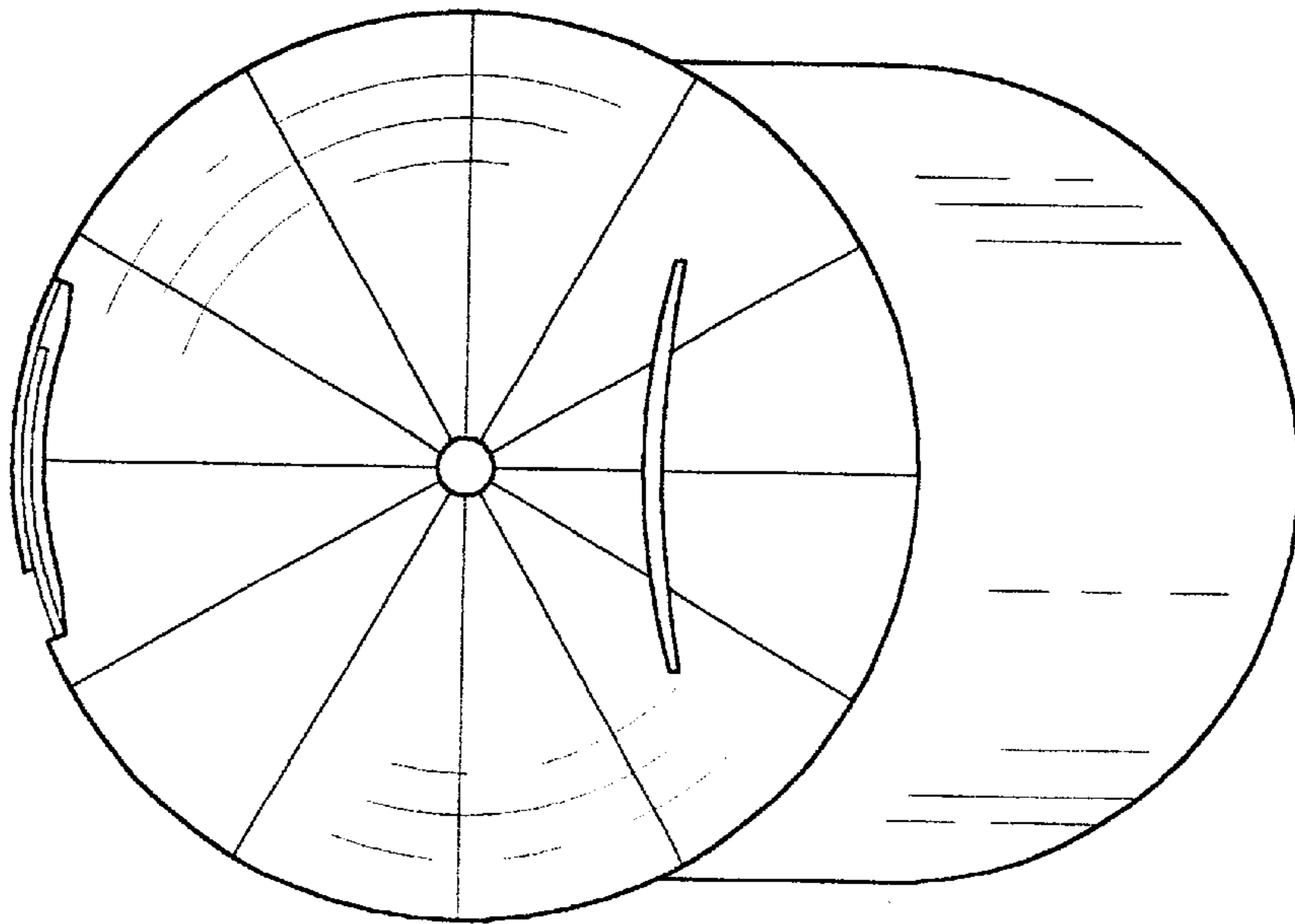


FIG. 5