



US00D452598B1

(12) **United States Design Patent**  
**Sato**

(10) **Patent No.:** **US D452,598 S**

(45) **Date of Patent:** **\*\* Dec. 25, 2001**

(54) **FORKLIFT TRUCK**

D. 427,409 \* 6/2000 Sato et al. .... D34/34  
D. 427,612 \* 7/2000 Shim ..... D34/34

(75) Inventor: **Yoshitaka Sato, Kariya (JP)**

**FOREIGN PATENT DOCUMENTS**

(73) Assignee: **Kabushiki Kaisha Toyoda Jidoshokki Seisakusho, Kariya (JP)**

416654 2/1976 (JP) .  
1053353 11/1999 (JP) .  
1053353-1 11/1999 (JP) .  
1053353-6 11/1999 (JP) .

(\*\*) Term: **14 Years**

\* cited by examiner

(21) Appl. No.: **29/118,375**

*Primary Examiner*—Cynthia E. Ramirez

(22) Filed: **Feb. 7, 2000**

(74) *Attorney, Agent, or Firm*—Morgan & Finnegan, LLP

(30) **Foreign Application Priority Data**

Aug. 7, 1999 (JP) ..... 11-21125  
Aug. 7, 1999 (JP) ..... 11-21127

(57) **CLAIM**

The ornamental design for a forklift truck, as shown and described.

(51) **LOC (7) Cl.** ..... **12-05**

(52) **U.S. Cl.** ..... **D34/34**

**DESCRIPTION**

(58) **Field of Search** ..... D34/34, 28, 37;  
187/222, 237; 414/572, 592, 631; 180/89.12,  
89.13, 89.17

FIG. 1 is a front view showing a forklift truck according to my new design;

FIG. 2 is a rear view showing the forklift truck of FIG. 1;

FIG. 3 is a plan view showing the forklift truck of FIG. 1;

FIG. 4 is a left view showing the forklift truck of FIG. 1;

FIG. 5 is a right view showing the forklift truck of FIG. 1;

FIG. 6 is a front upper perspective view showing the forklift truck of FIG. 1; and,

FIG. 7 is a rear upper perspective view showing the forklift truck of FIG. 1.

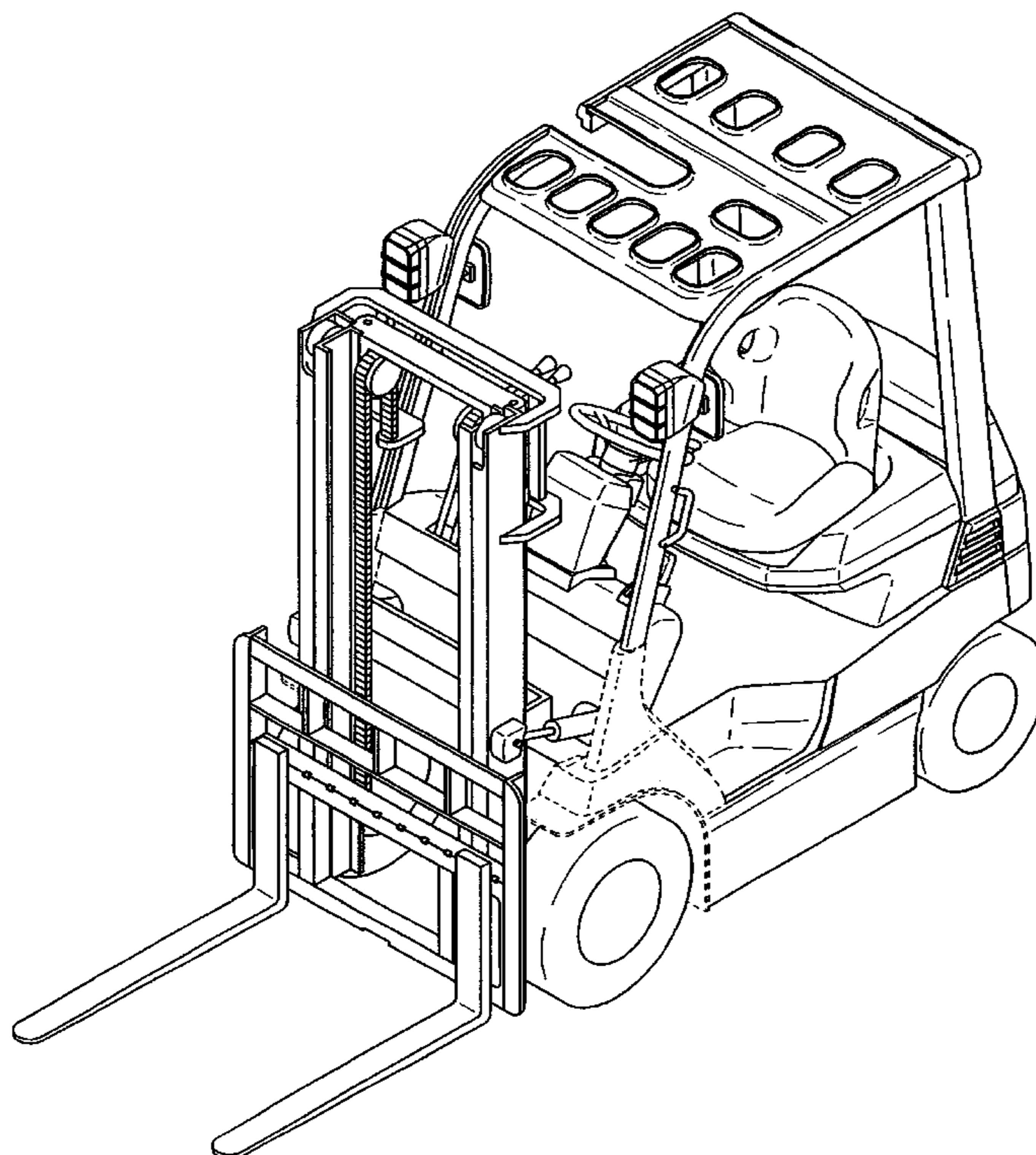
The broken lines in FIGS. 1 to 7 are shown for illustrative purposes only and form no part of the claimed design.

(56) **References Cited**

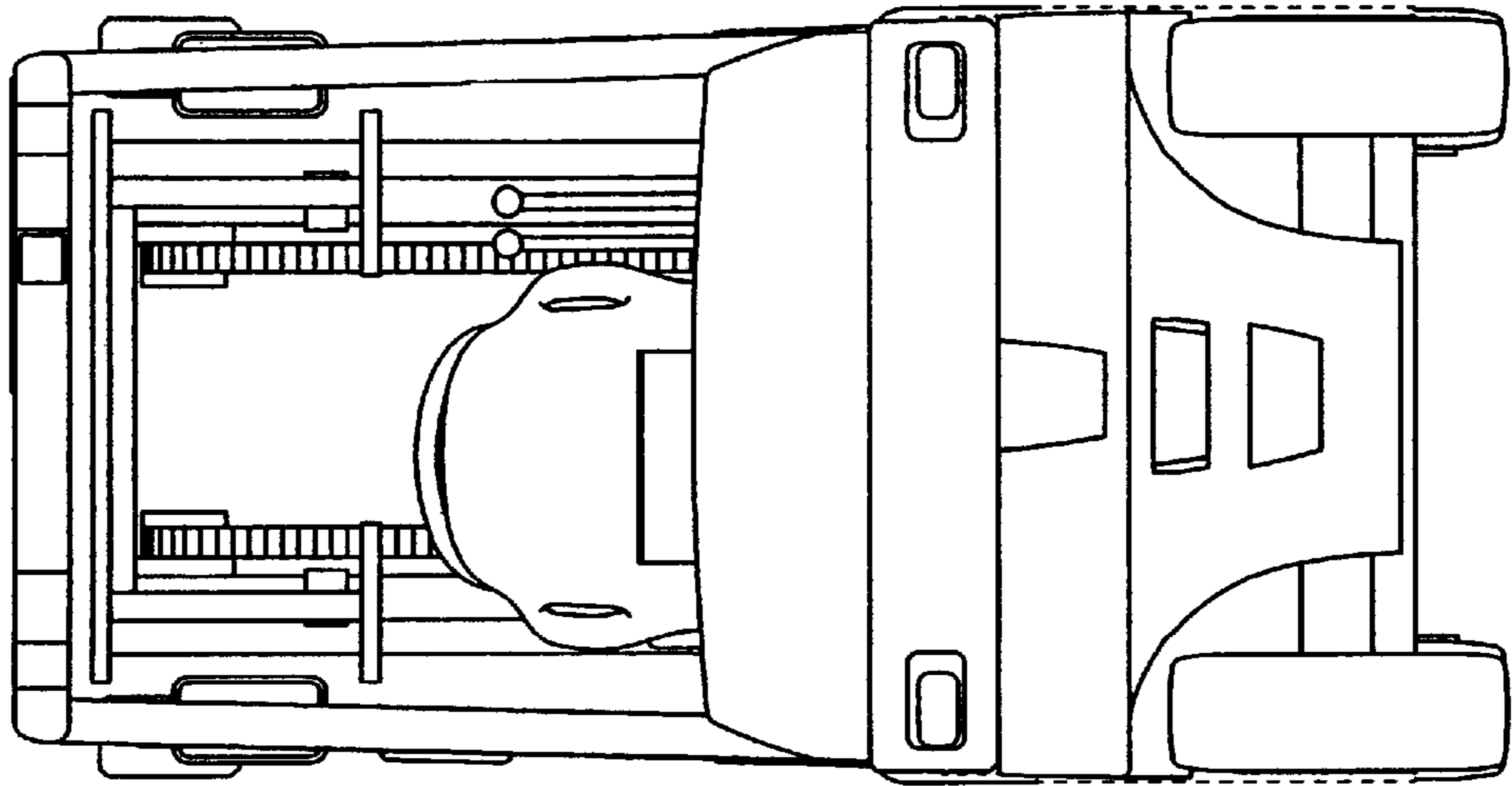
**U.S. PATENT DOCUMENTS**

D. 257,432 \* 10/1980 Erlacher ..... D34/34  
D. 386,875 \* 11/1997 Kim ..... D34/34  
D. 386,877 \* 11/1997 Russey et al. .... D34/34  
D. 389,981 \* 1/1998 Donaldson ..... D34/34  
D. 393,516 \* 4/1998 Hahn et al. .... D34/34  
D. 393,517 \* 4/1998 Kim et al. .... D34/34  
D. 396,928 \* 8/1998 Hahn et al. .... D34/34  
D. 411,681 \* 6/1999 Murakami et al. .... D34/34  
D. 412,385 \* 7/1999 Murakami et al. .... D34/34

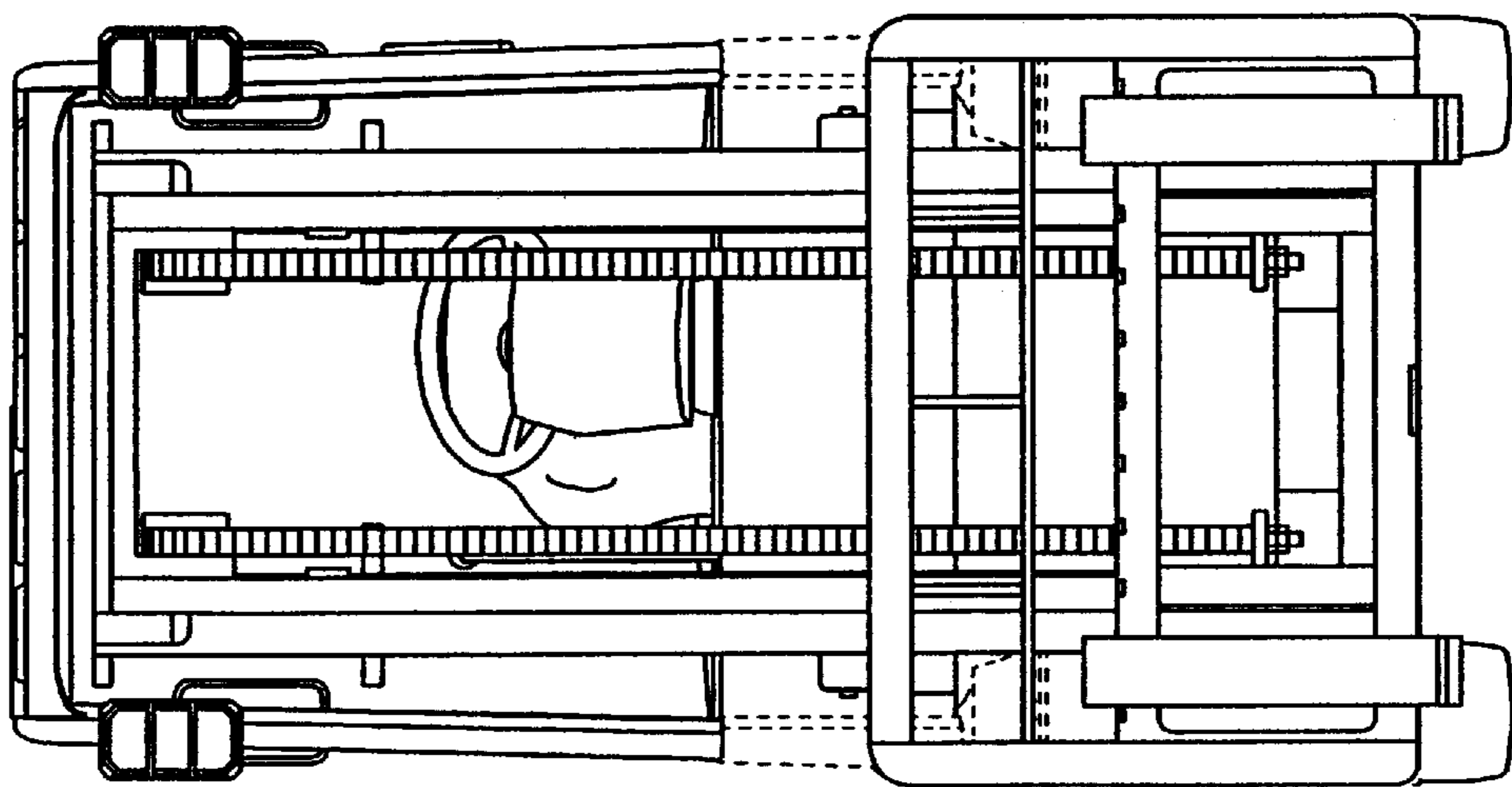
**1 Claim, 6 Drawing Sheets**



**Fig. 2**



**Fig. 1**



**Fig. 3**

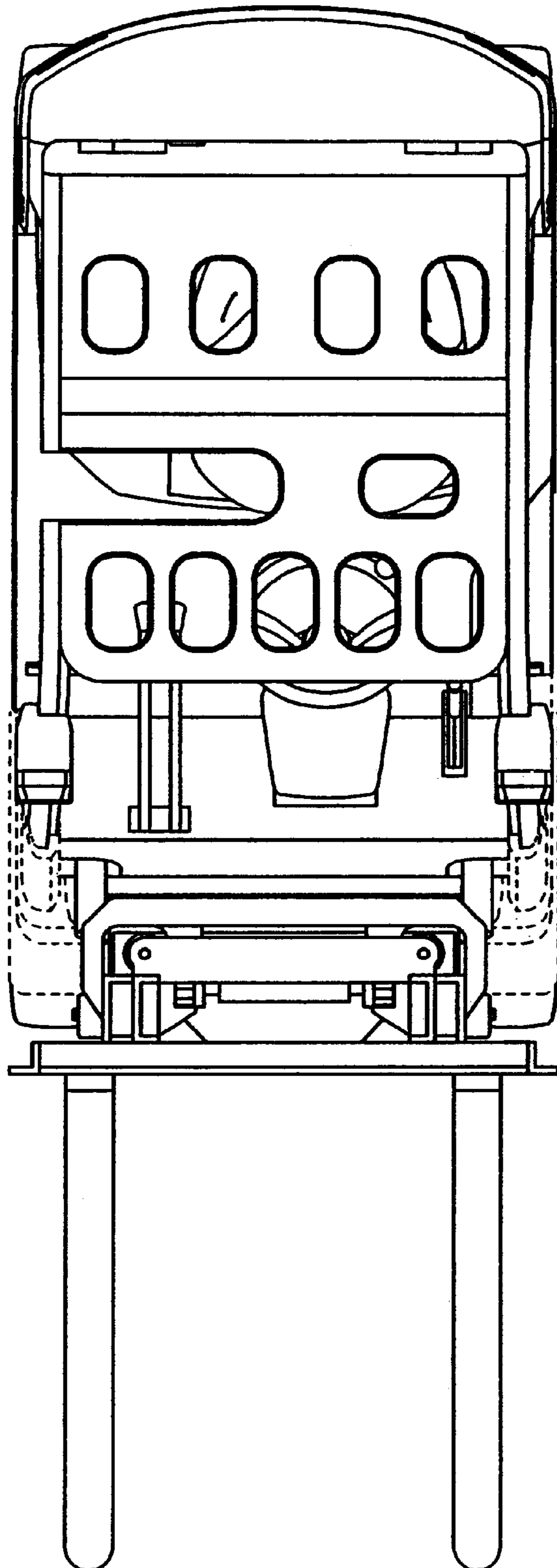
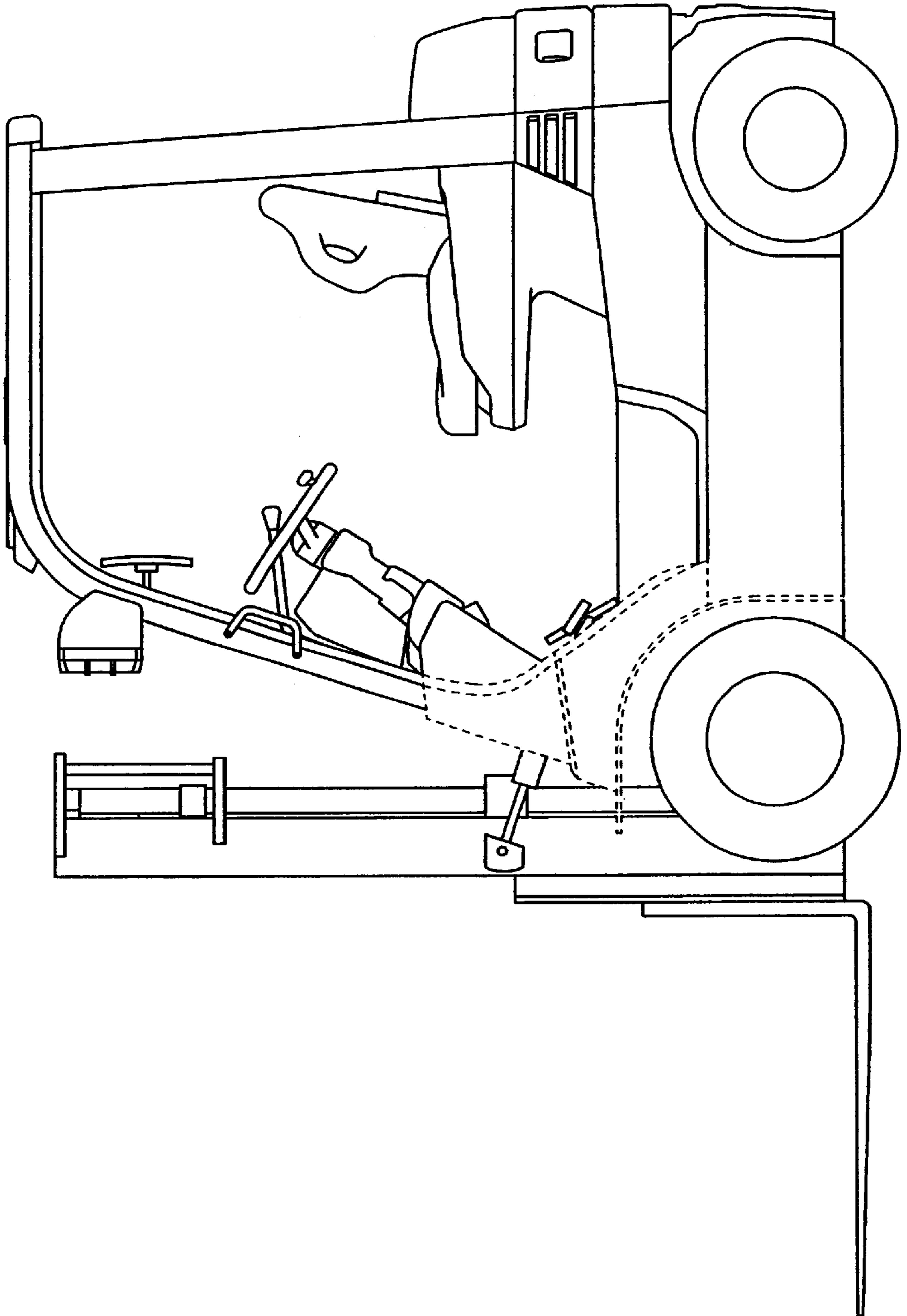
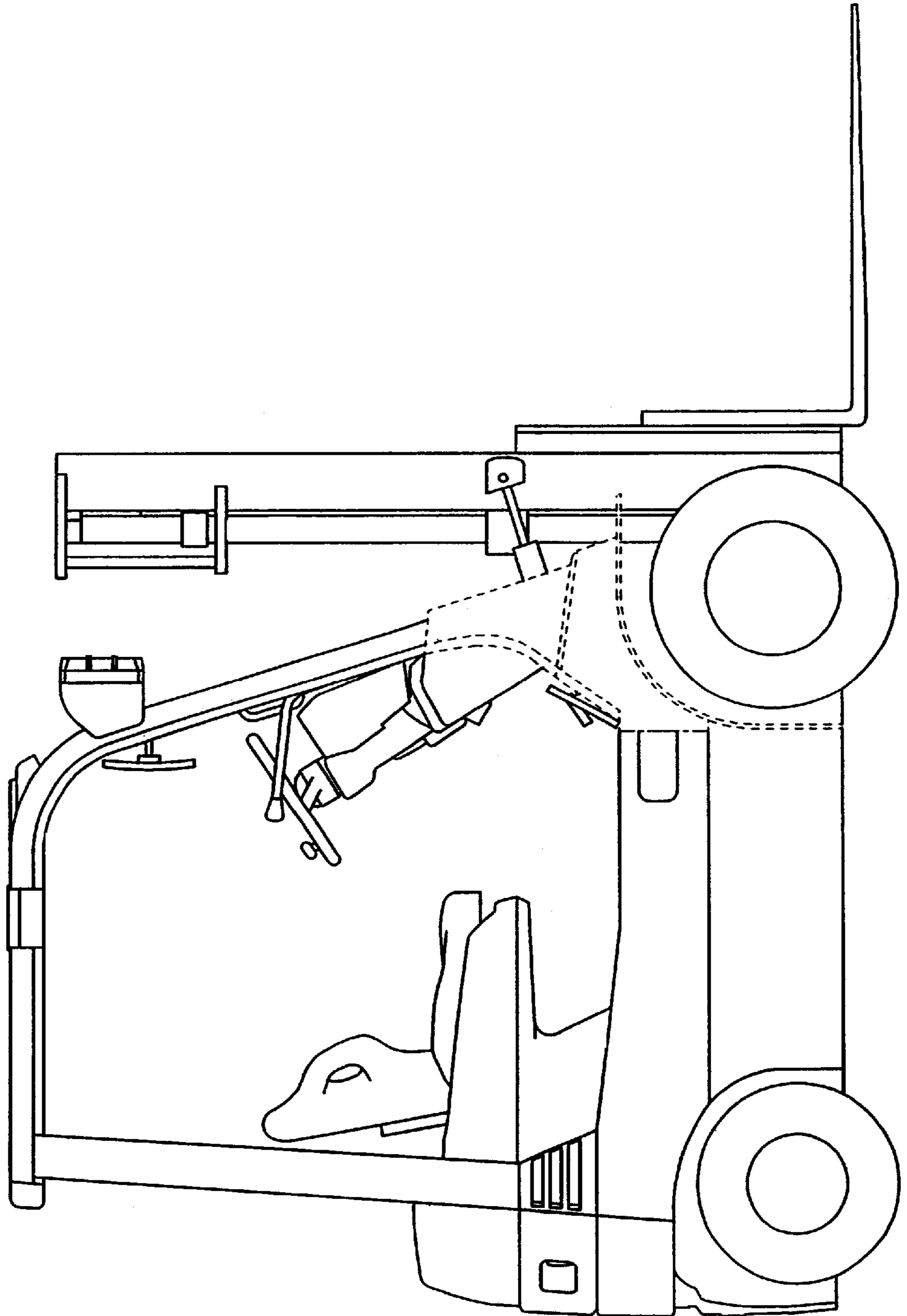


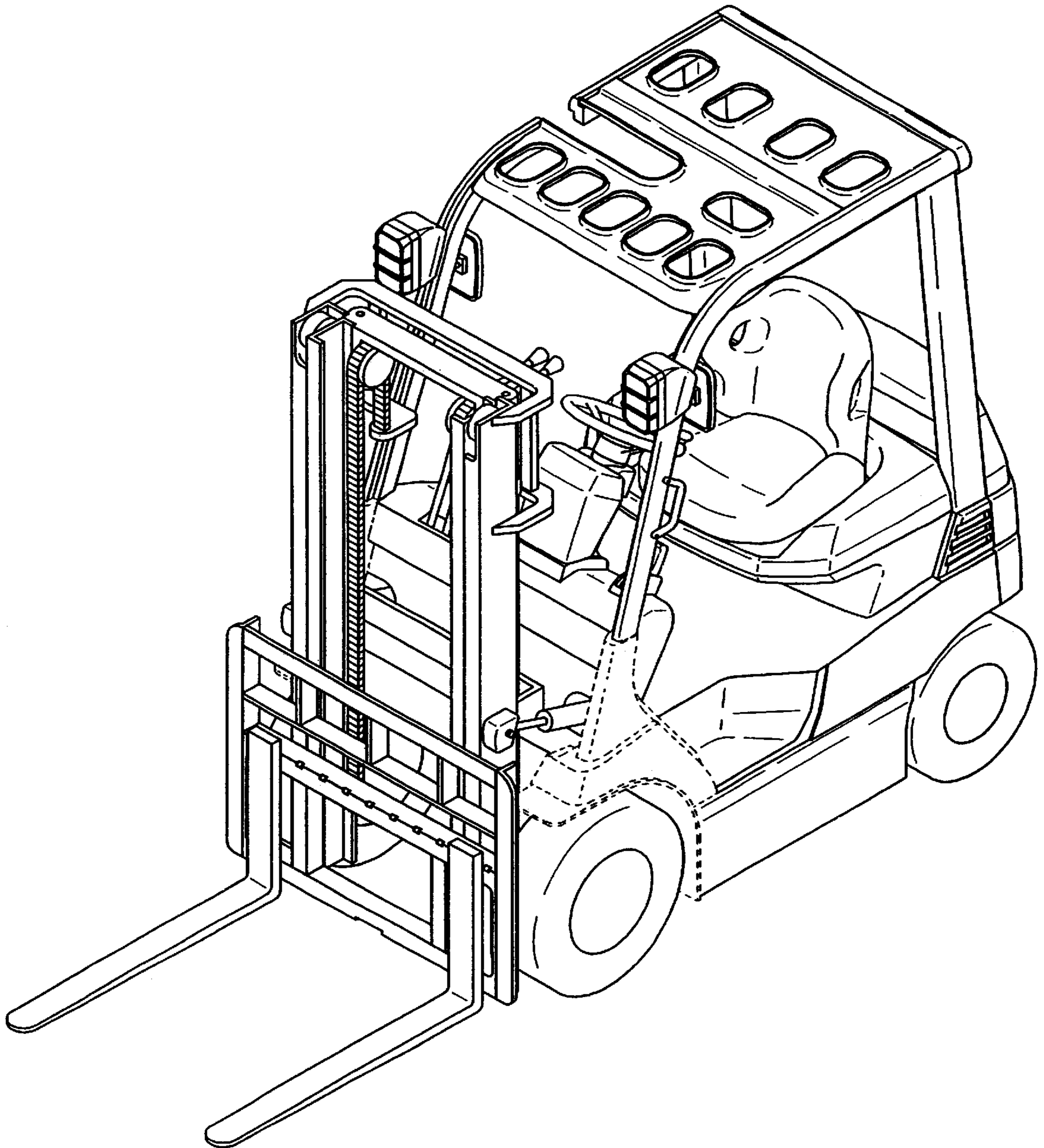
Fig. 4



**Fig. 5**



**Fig. 6**



**Fig. 7**

