



US00D452597B1

(12) **United States Design Patent**
Hung

(10) **Patent No.:** **US D452,597 S**

(45) **Date of Patent:** **** Dec. 25, 2001**

- (54) **JACK**
- (75) Inventor: **Michael Hung**, Lu Chu Hsiang (TW)
- (73) Assignee: **Shinn Fu Corporation**, Tao Yuan County (TW)
- (**) Term: **14 Years**
- (21) Appl. No.: **29/132,264**
- (22) Filed: **Nov. 7, 2000**
- (51) **LOC (7) Cl.** **12-05**
- (52) **U.S. Cl.** **D34/31**
- (58) **Field of Search** D34/28, 31; 254/8 B, 254/9 B, 84, 11, 93 H, DIG. 3

- D. 442,345 * 5/2001 Lee et al. D34/31
- 4,241,899 * 12/1980 Kaneko 254/8 B
- 5,201,494 * 4/1993 Lundman 254/8 B

* cited by examiner

Primary Examiner—Cynthia E. Ramirez

(74) *Attorney, Agent, or Firm*—Varndell & Varndell, PLLC

(57) **CLAIM**

The ornamental design for a jack, as shown and described.

DESCRIPTION

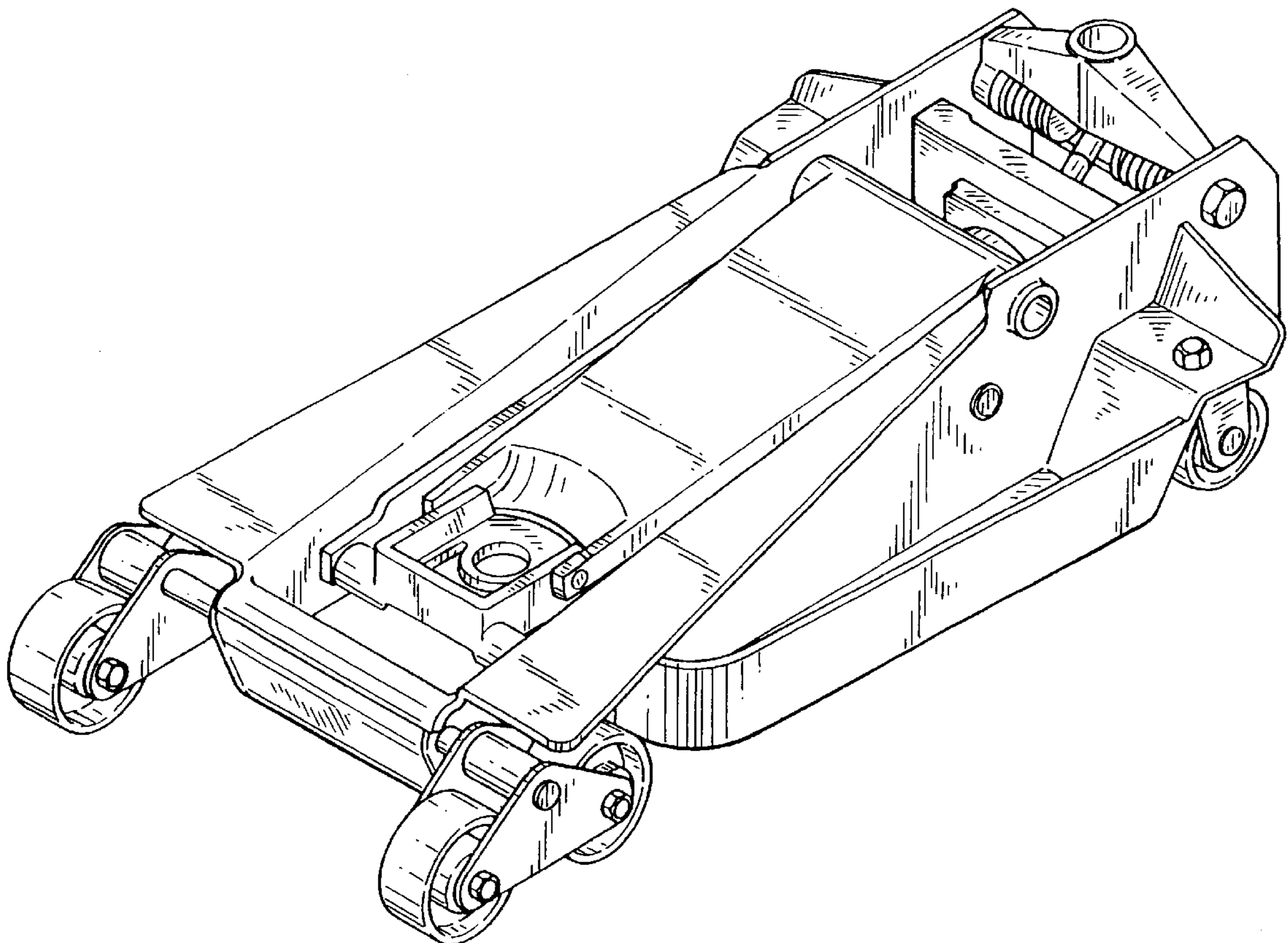
FIG. 1 is a right side perspective view of a jack etc. showing my new design;
 FIG. 2 is a front view thereof;
 FIG. 3 is a rear view thereof;
 FIG. 4 is a left side view thereof;
 FIG. 5 is a right side view thereof;
 FIG. 6 is a top view thereof;
 FIG. 7 is a bottom view thereof;
 FIG. 8 is a front view thereof, wherein the broken line showing of the big claw is for illustrative purposes only and forming no part of the claimed design; and,
 FIG. 9 is a front view thereof, wherein the broken line showing of the small claw is for illustrative purposes only and forming no part of the claimed design.

(56) **References Cited**

U.S. PATENT DOCUMENTS

- D. 296,598 * 7/1988 Hung D34/31
- D. 332,337 * 1/1993 Wang D34/31
- D. 358,923 * 5/1995 Hawkins D34/31
- D. 364,026 * 11/1995 Hung D34/31
- D. 388,926 * 1/1998 Sorensen D34/31
- D. 398,730 * 9/1998 Lin D34/31
- D. 416,370 * 11/1999 Hung D34/31
- D. 421,516 * 3/2000 Hung D34/31
- D. 423,750 * 4/2000 Hung D34/31
- D. 433,207 * 10/2000 Liu D34/31

1 Claim, 7 Drawing Sheets



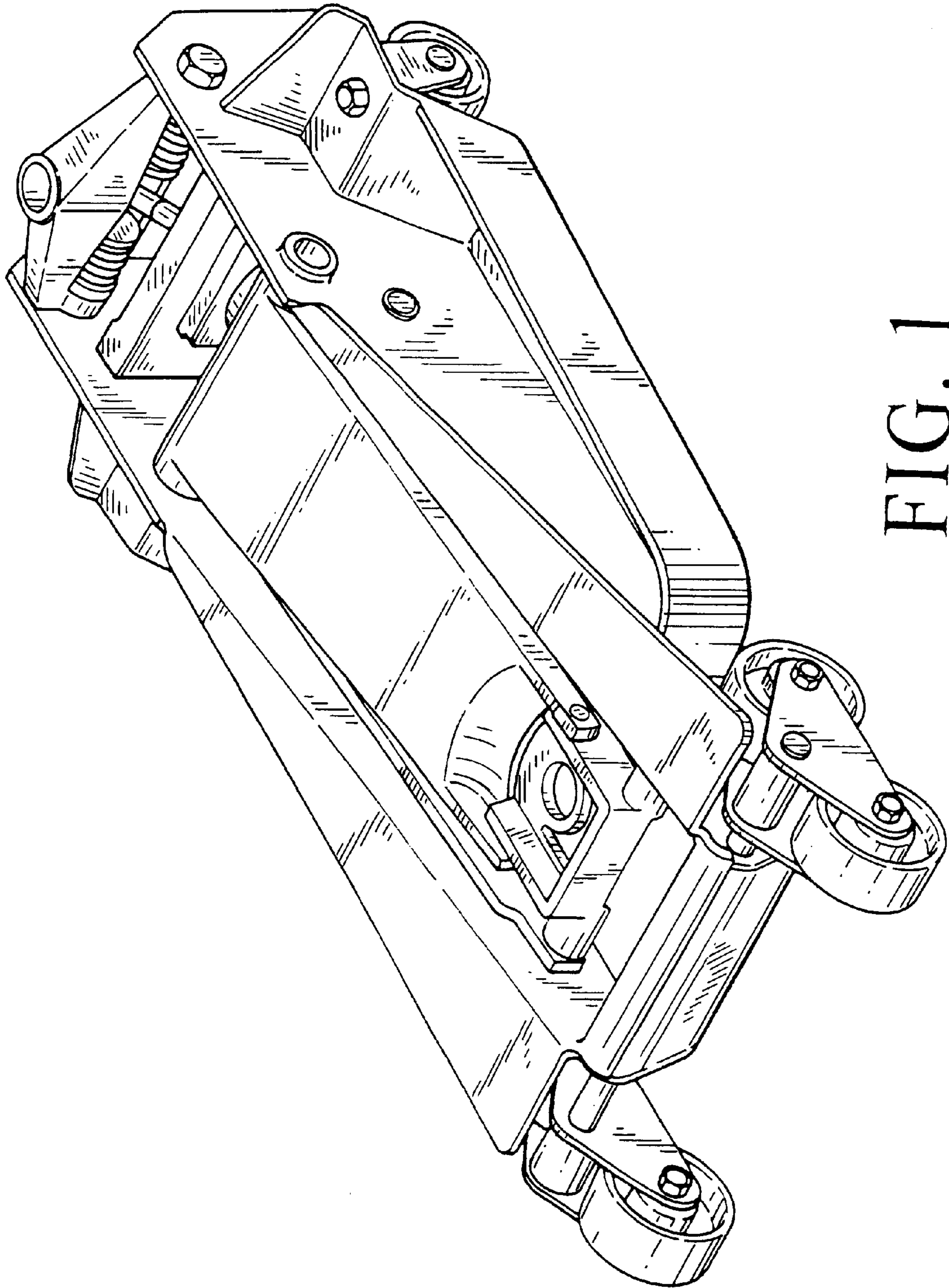


FIG. 1

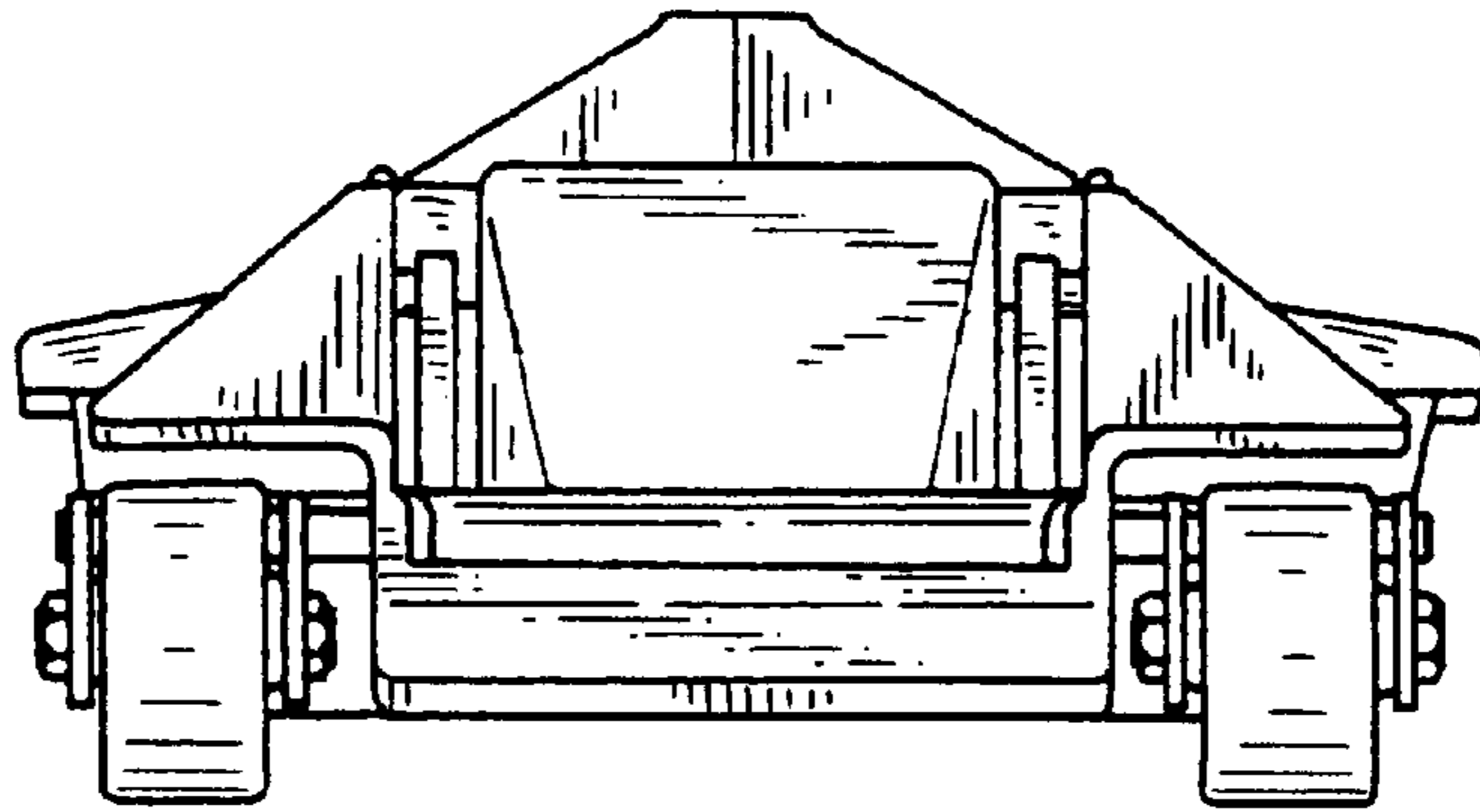


FIG. 2

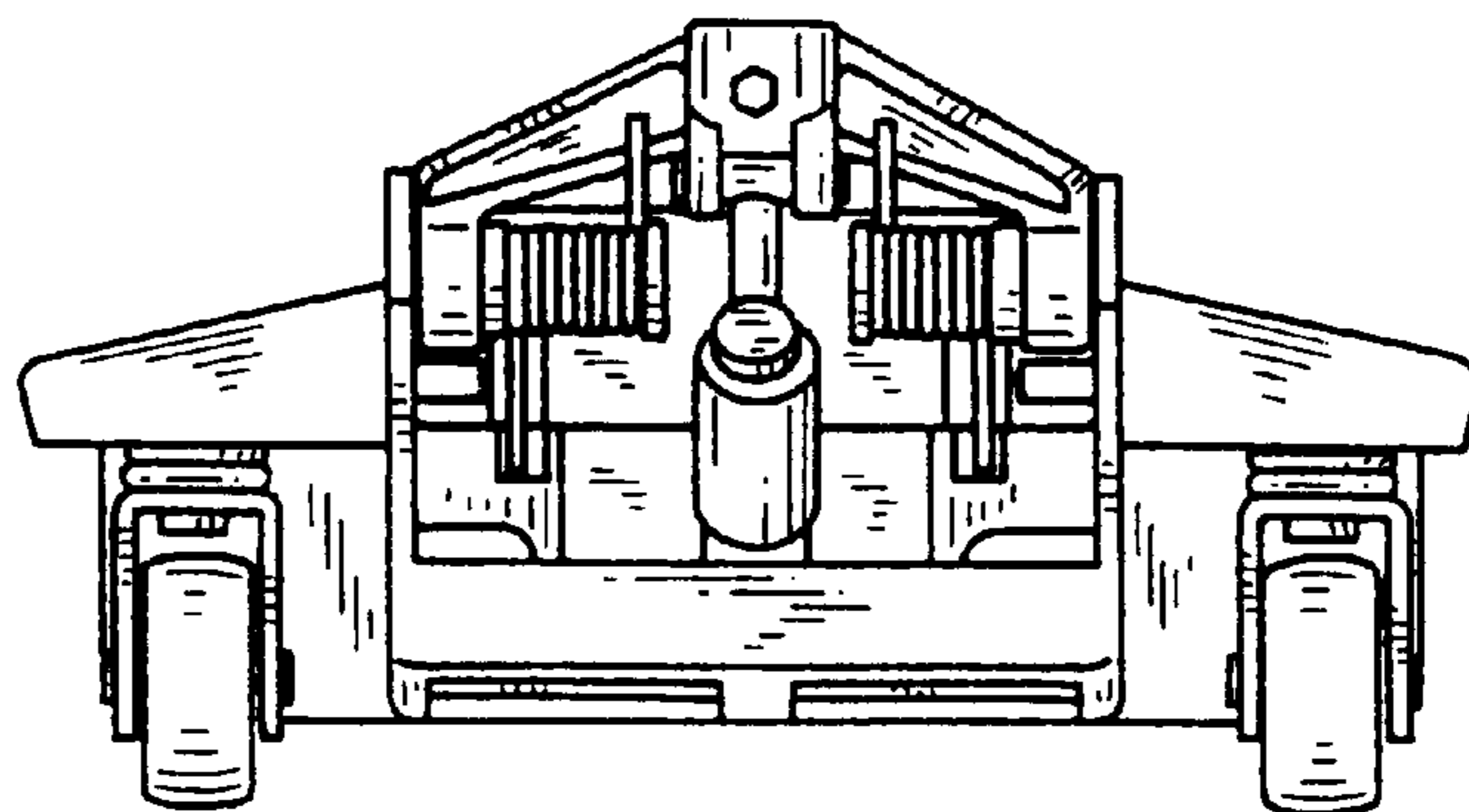


FIG. 3

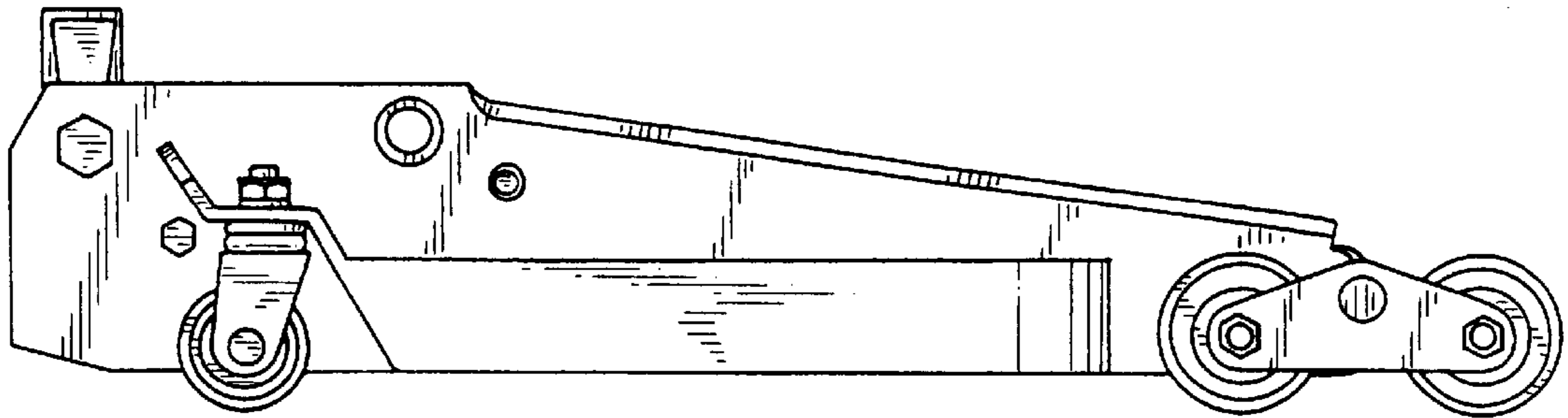


FIG. 4

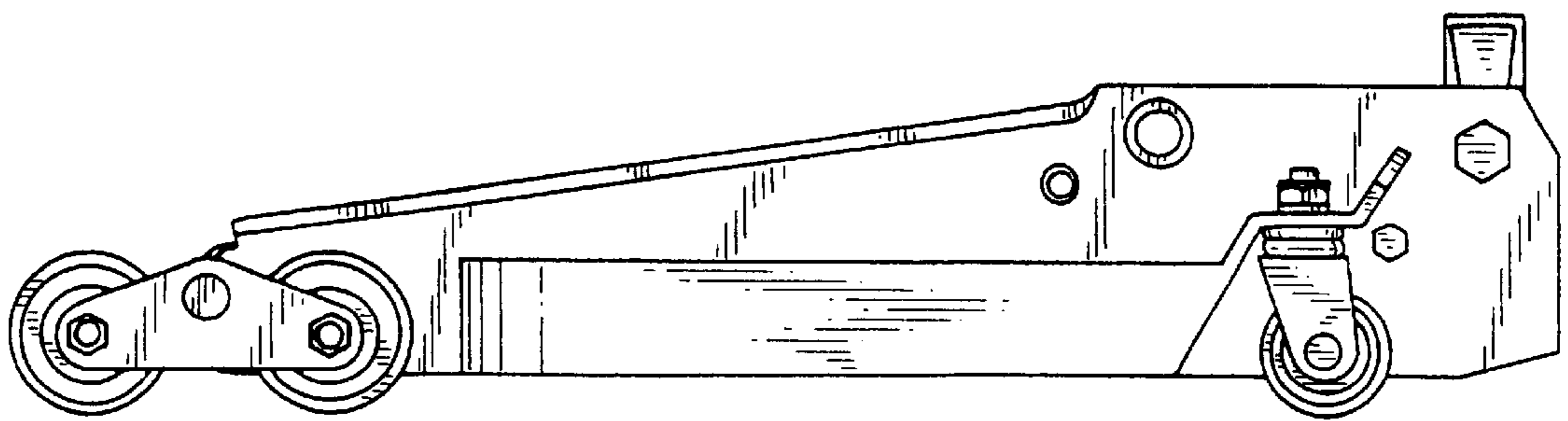


FIG. 5

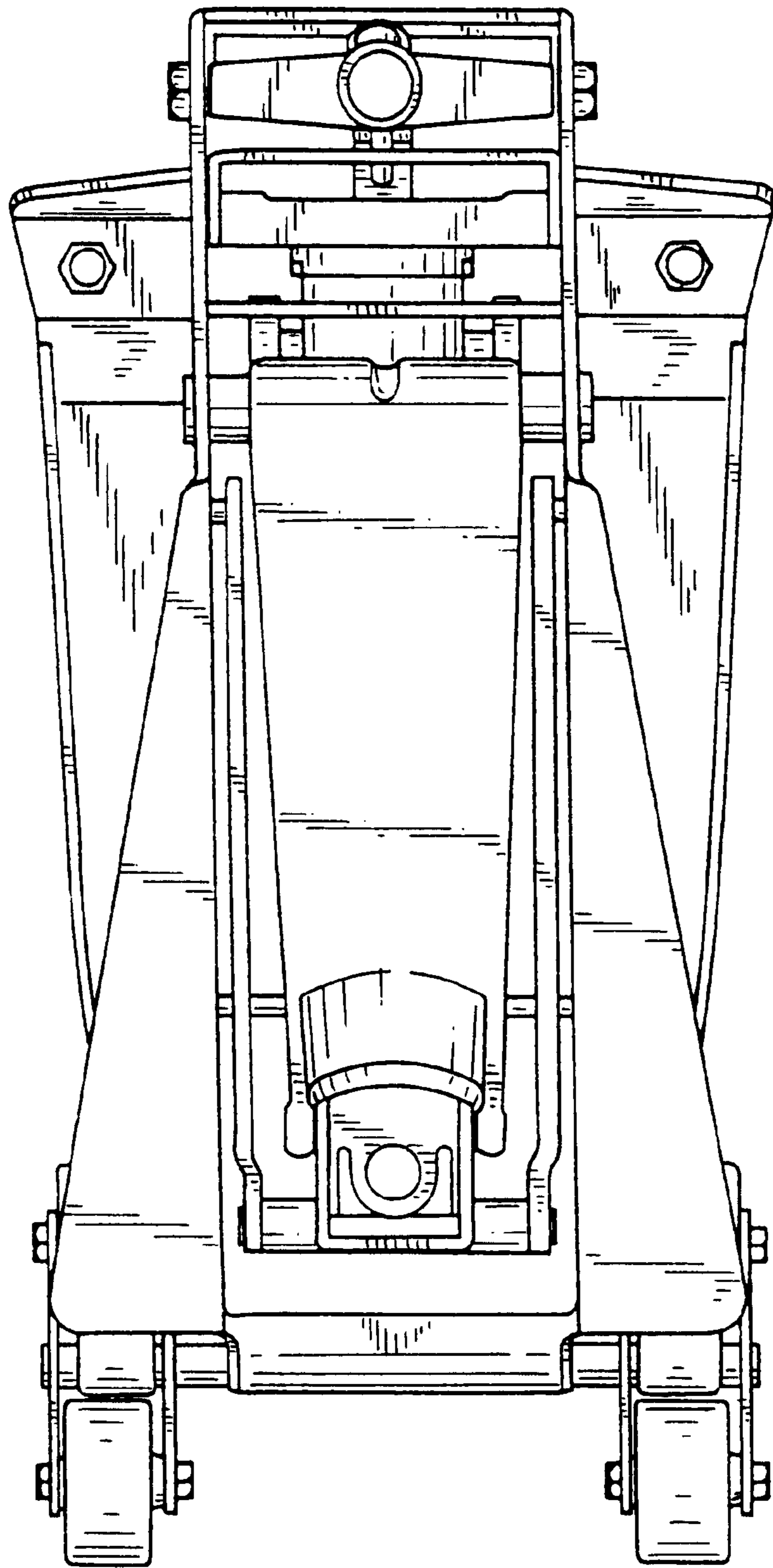


FIG. 6

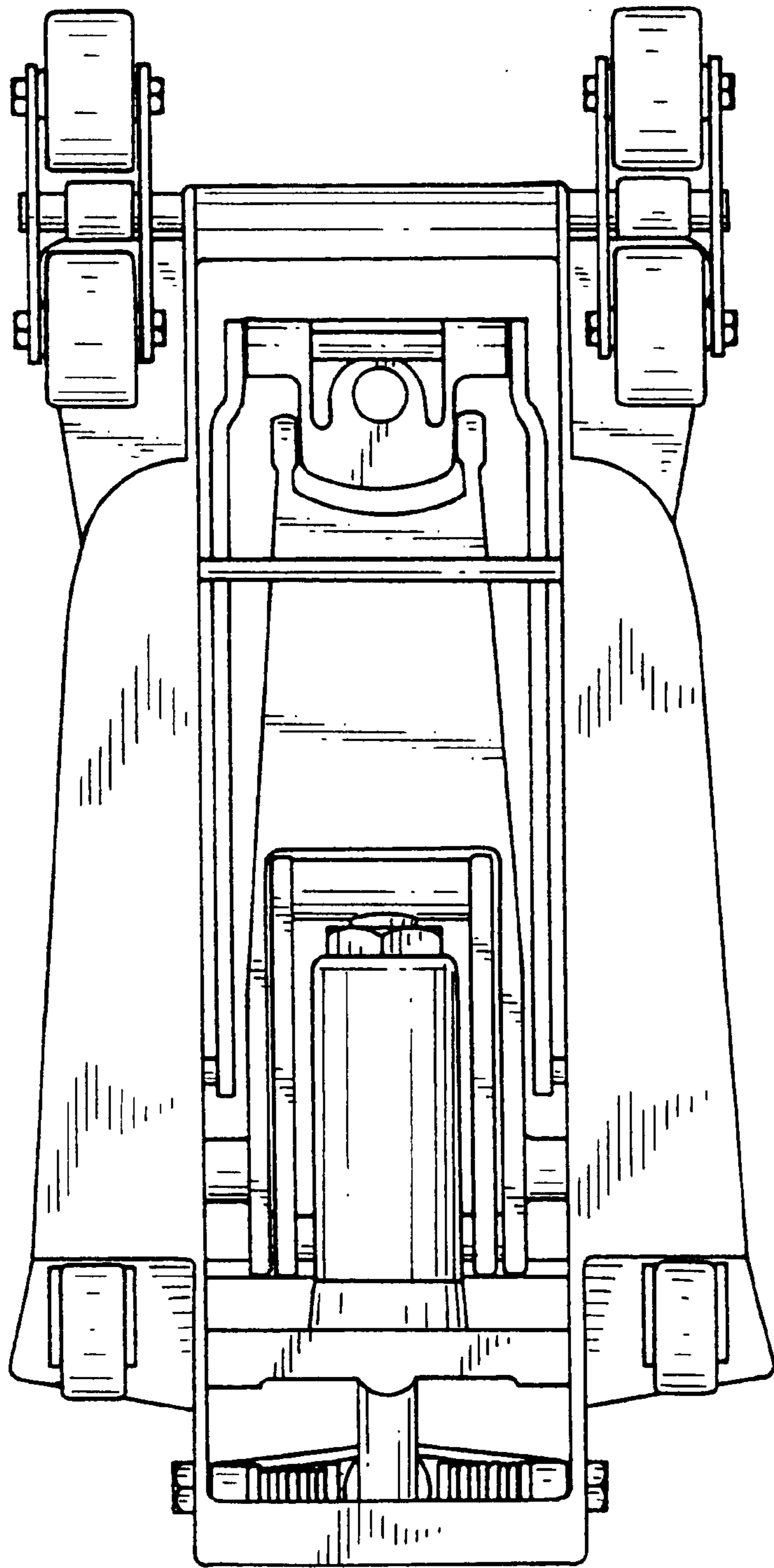


FIG. 7

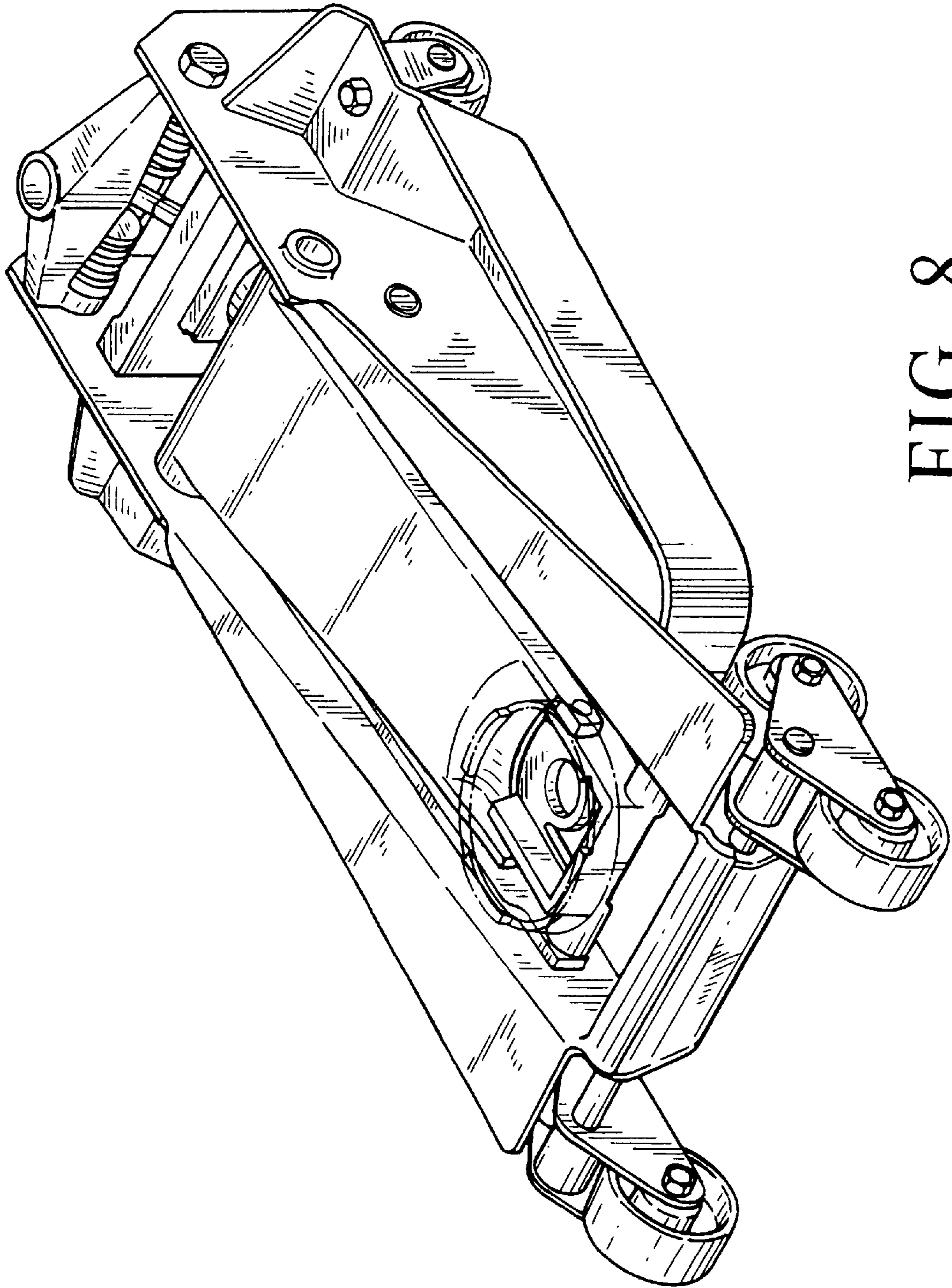


FIG. 8

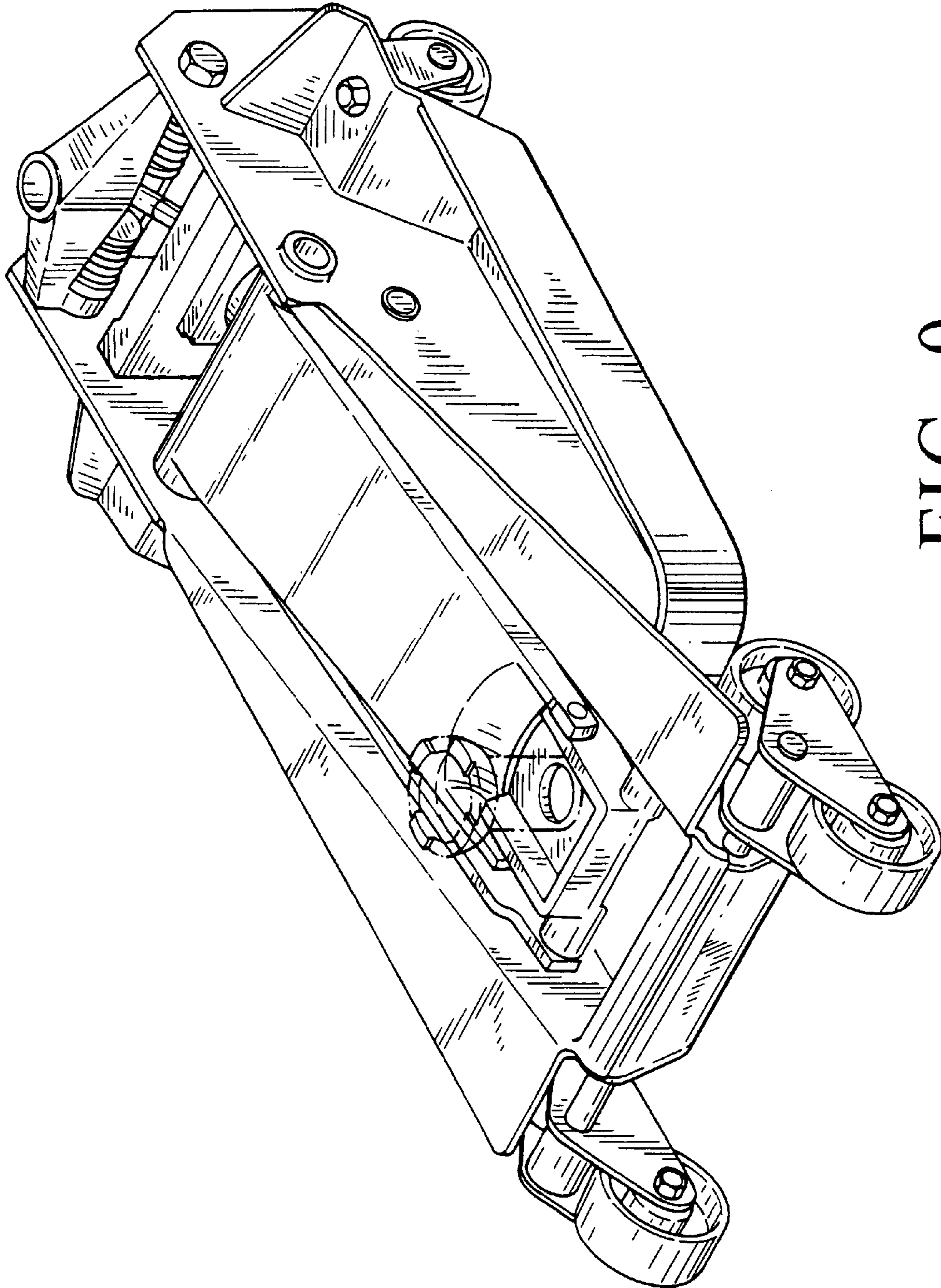


FIG. 9