



US00D452594B1

(12) **United States Design Patent**
Rosa

(10) **Patent No.:** **US D452,594 S**

(45) **Date of Patent:** **** Dec. 25, 2001**

(54) **STEAM-CLEANING APPLIANCE**

(75) **Inventor:** **Carlo Rosa, Lecco (IT)**

(73) **Assignee:** **Ariete S.p.A. (IT)**

(**) **Term:** **14 Years**

(21) **Appl. No.:** **29/117,494**

(22) **Filed:** **Jan. 28, 2000**

(30) **Foreign Application Priority Data**

Jul. 30, 1999 (IT) GE99O0013

(51) **LOC (7) Cl.** **15-05**

(52) **U.S. Cl.** **D32/21**

(58) **Field of Search** D32/17-18, 21,
D32/31; D28/12; 219/222; 15/320, 329,
344, 352-353, 327.1, 327.2, 327.3, 327.4,
327.6, 327.7; 38/77.1, 77.5; 68/222; 392/404,
405; 601/6

(56) **References Cited**

U.S. PATENT DOCUMENTS

D. 338,989 * 8/1993 Ambrosiano D32/15

D. 421,165	*	2/2000	Joiner et al.	D32/35
D. 422,763	*	4/2000	Tsuda	D32/21
D. 423,156	*	4/2000	Joiner et al.	D32/35
D. 424,764	*	5/2000	Collins et al.	D32/21
5,613,271	*	3/1997	Thomas	15/321
5,749,120	*	5/1998	Amoretti	15/339

* cited by examiner

Primary Examiner—Ruth McInroy

(74) *Attorney, Agent, or Firm*—Larson & Taylor, PLC

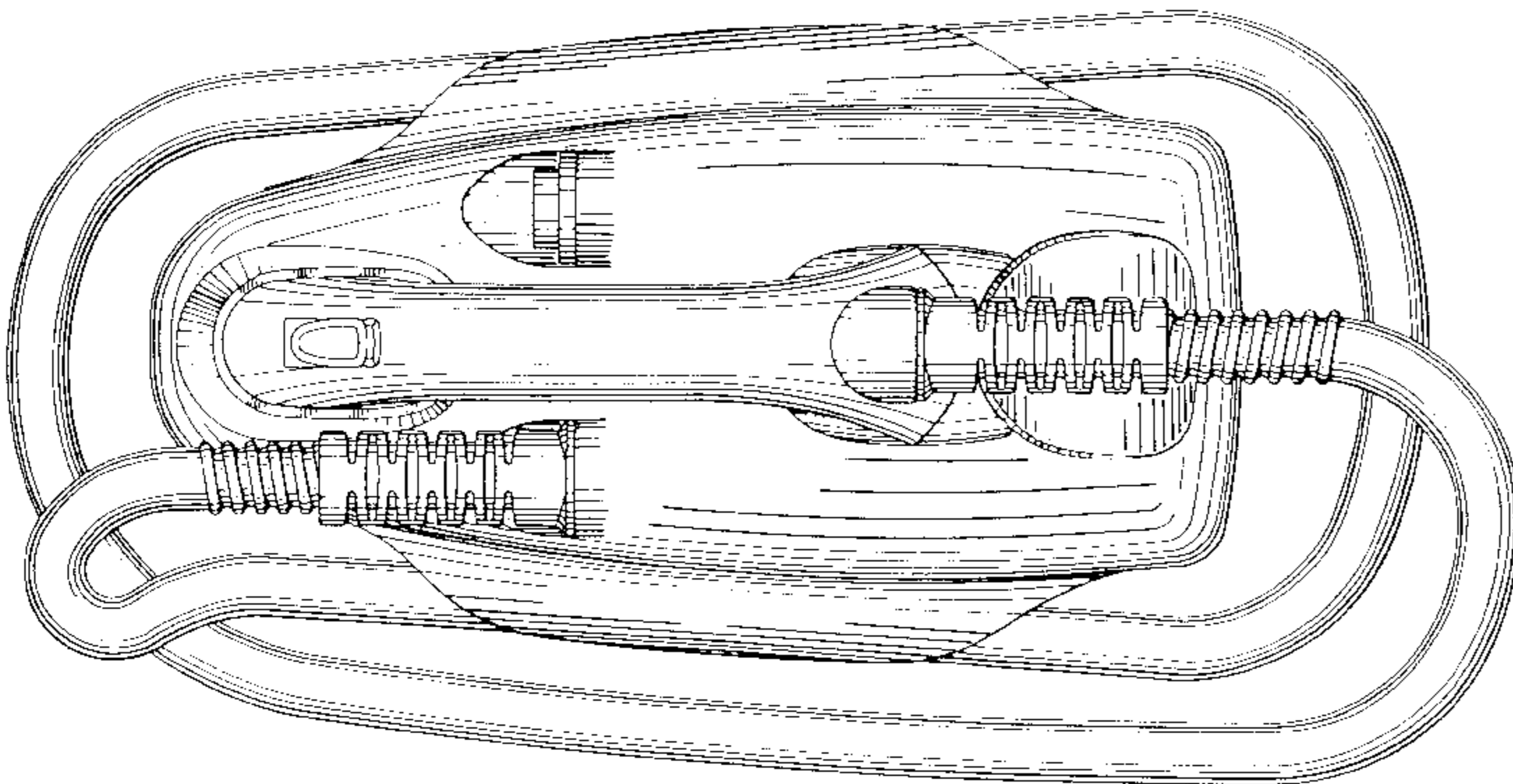
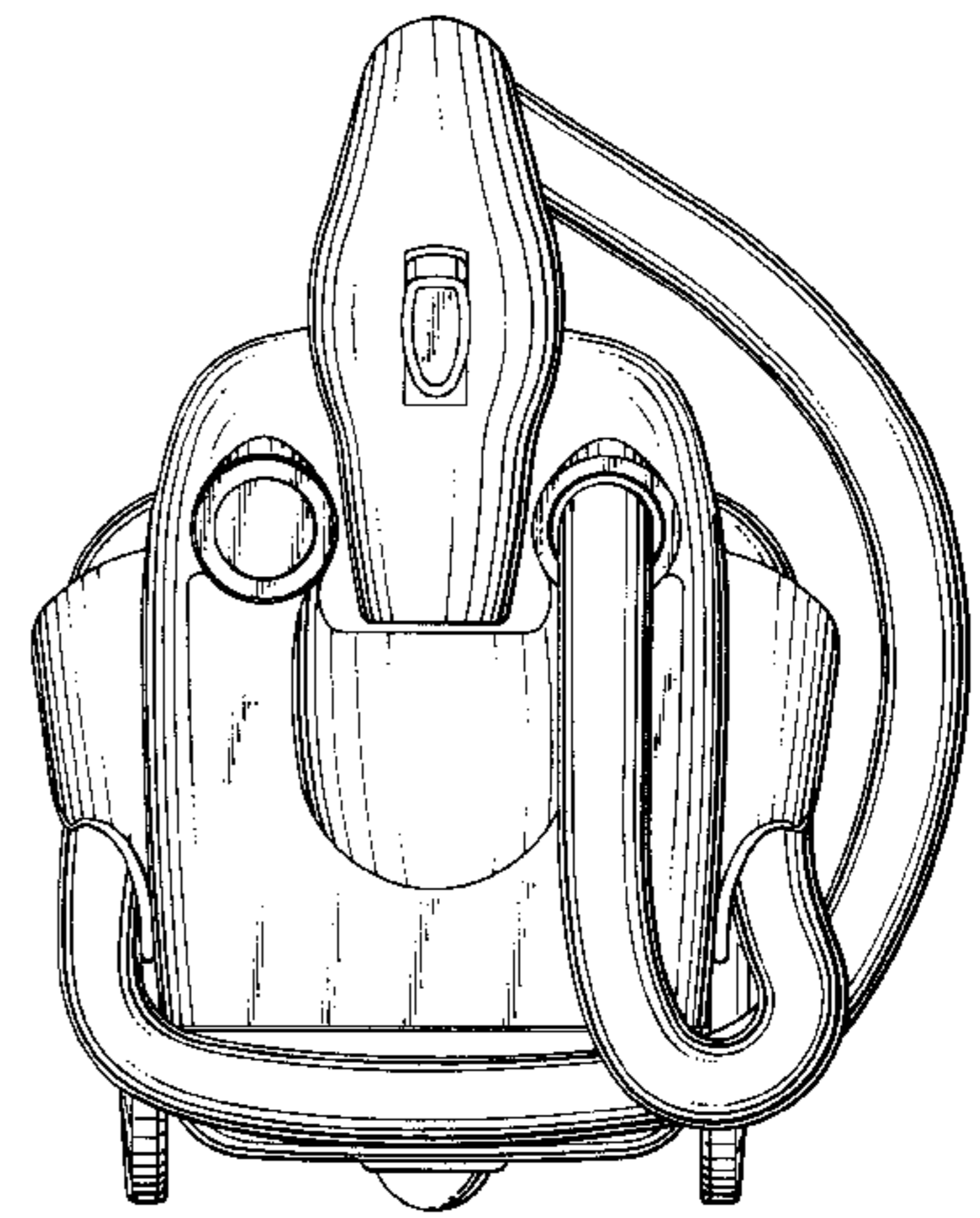
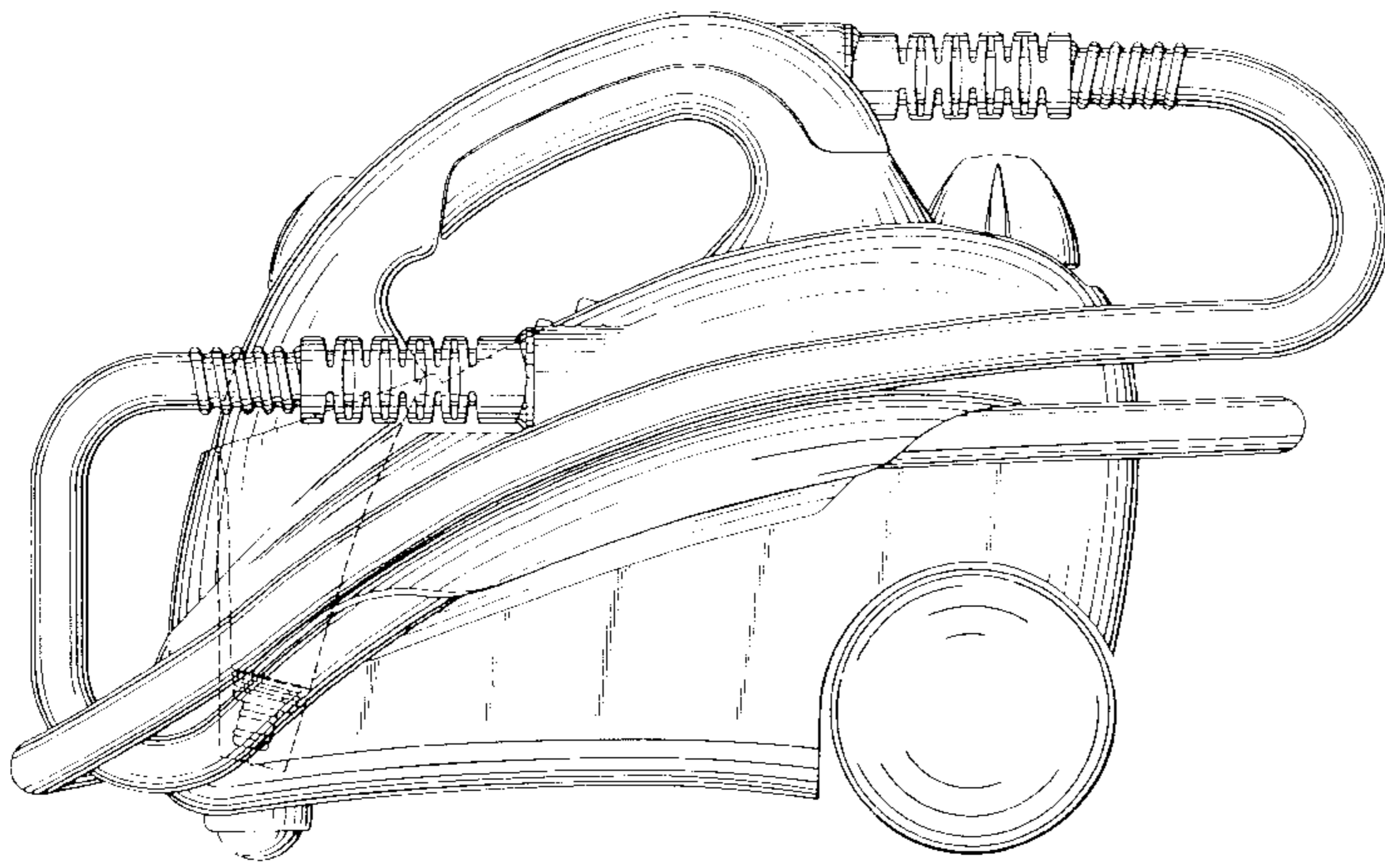
(57) **CLAIM**

The ornamental design for a steam-cleaning appliance, as shown and described.

DESCRIPTION

FIG. 1 is a right-side elevational view of the steam-cleaning appliance showing my new design;
FIG. 2 is a left-side elevational view thereof;
FIG. 3 is a front elevational view thereof;
FIG. 4 is a rear elevational view thereof;
FIG. 5 is a top plan view thereof; and,
FIG. 6 is a bottom plan view thereof.

1 Claim, 6 Drawing Sheets



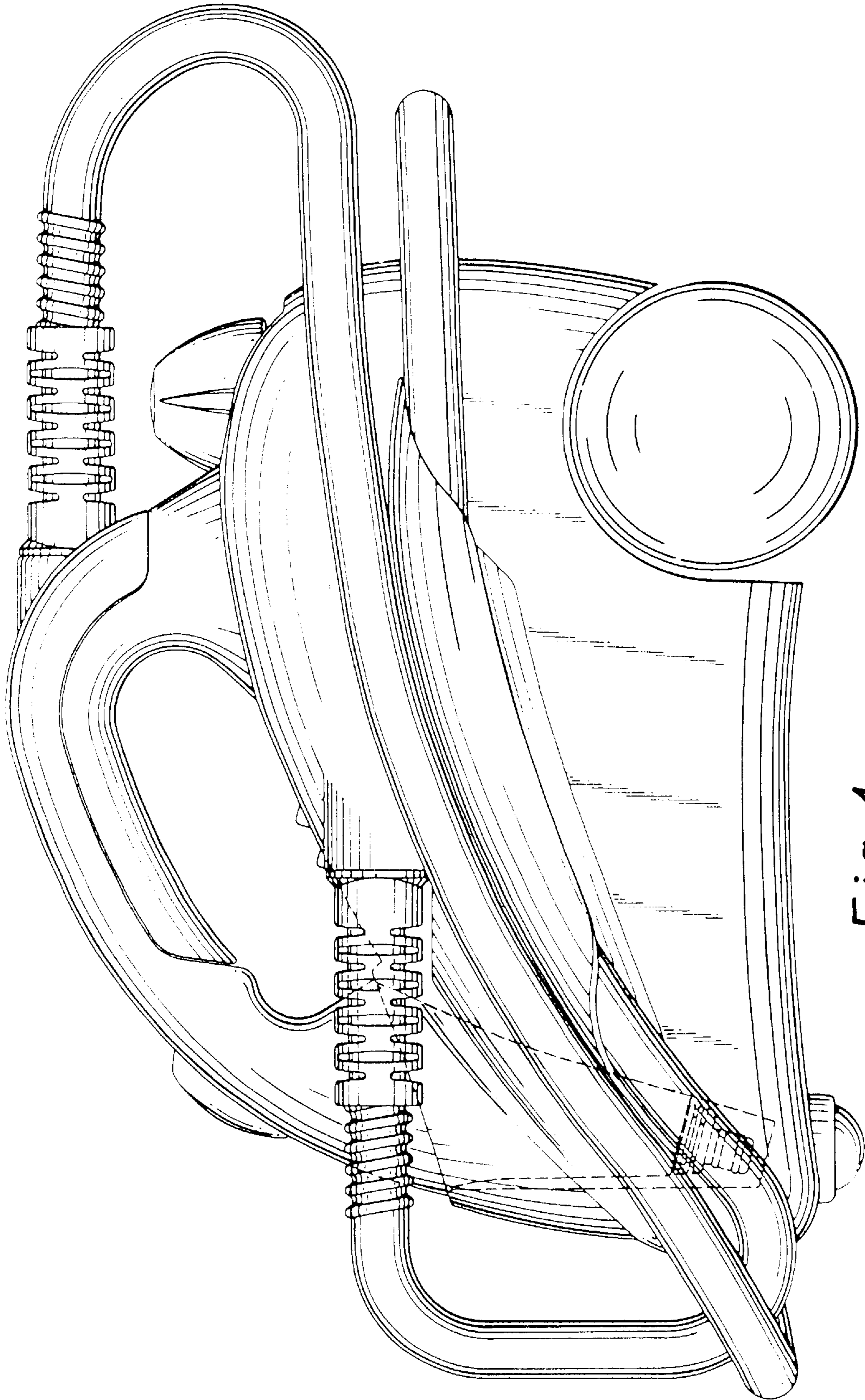


Fig. 1

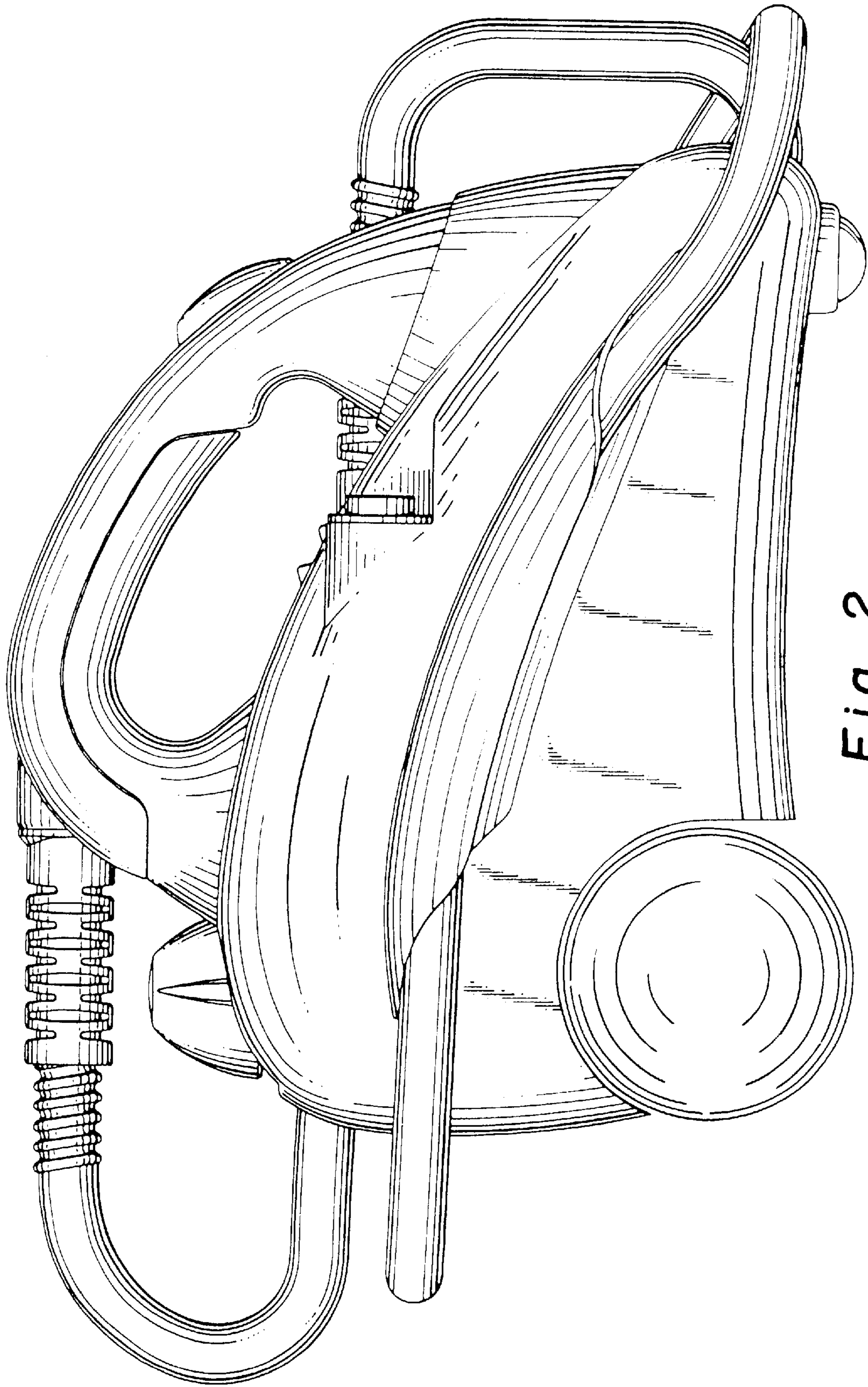


Fig. 2

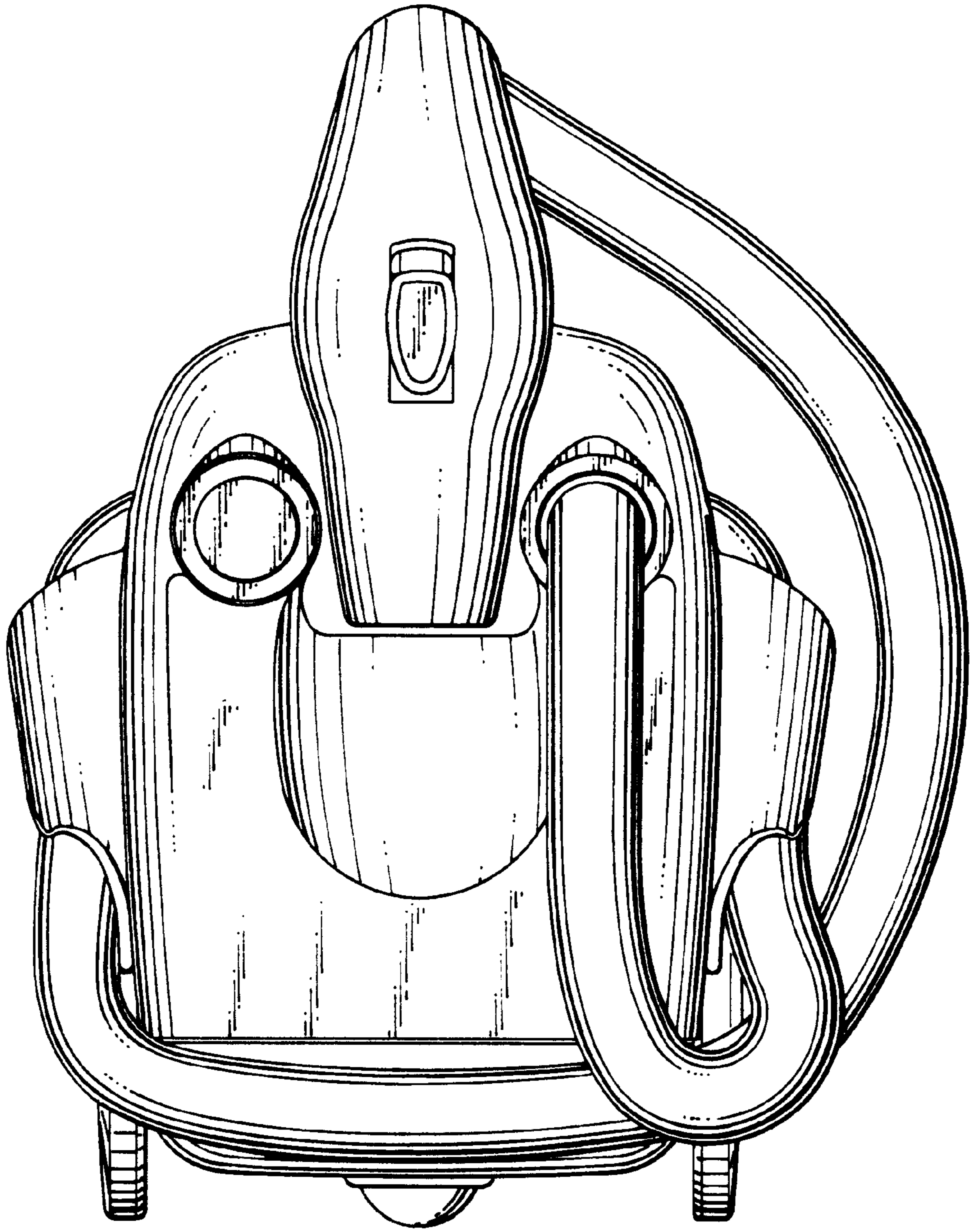


Fig. 3

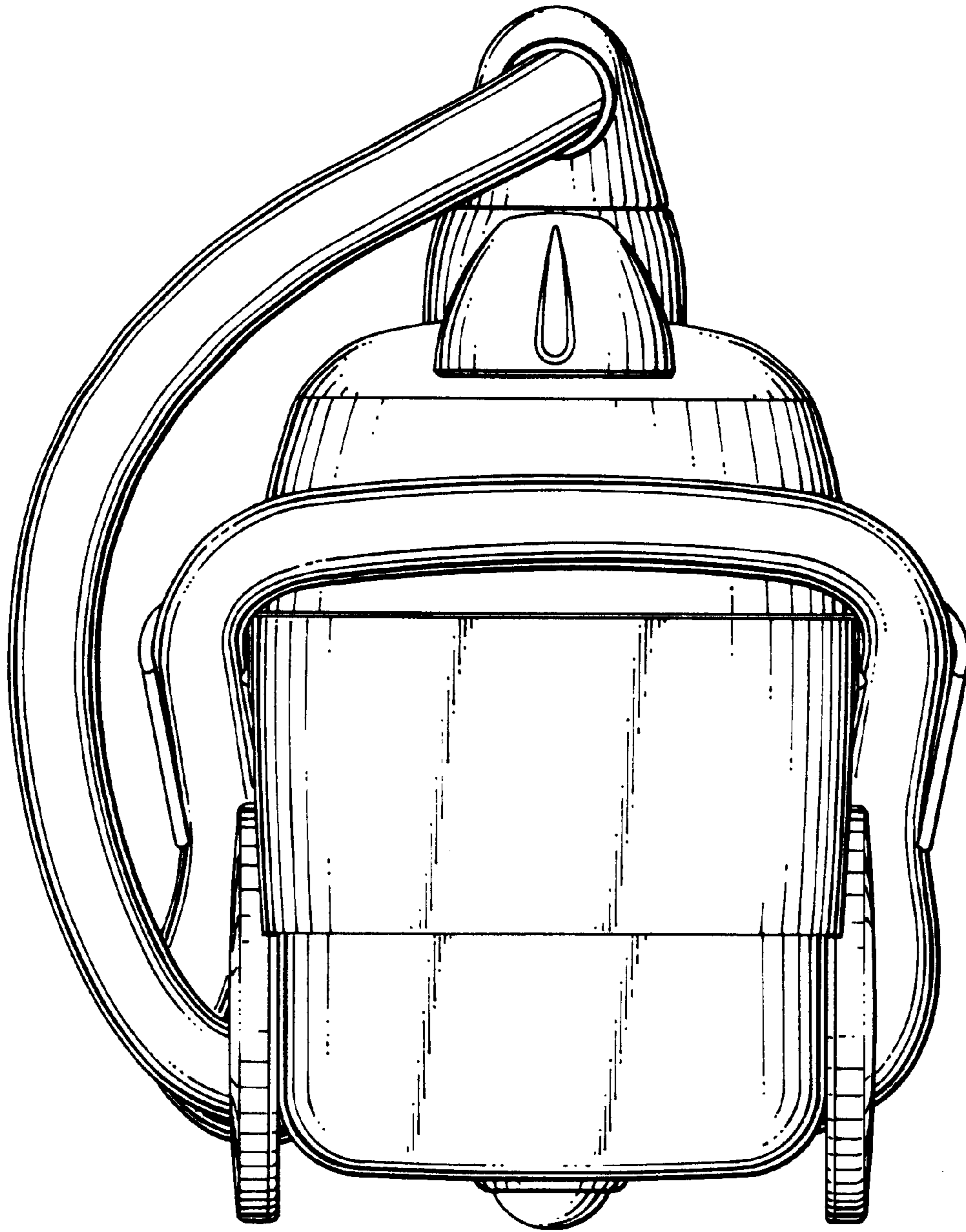


Fig. 4

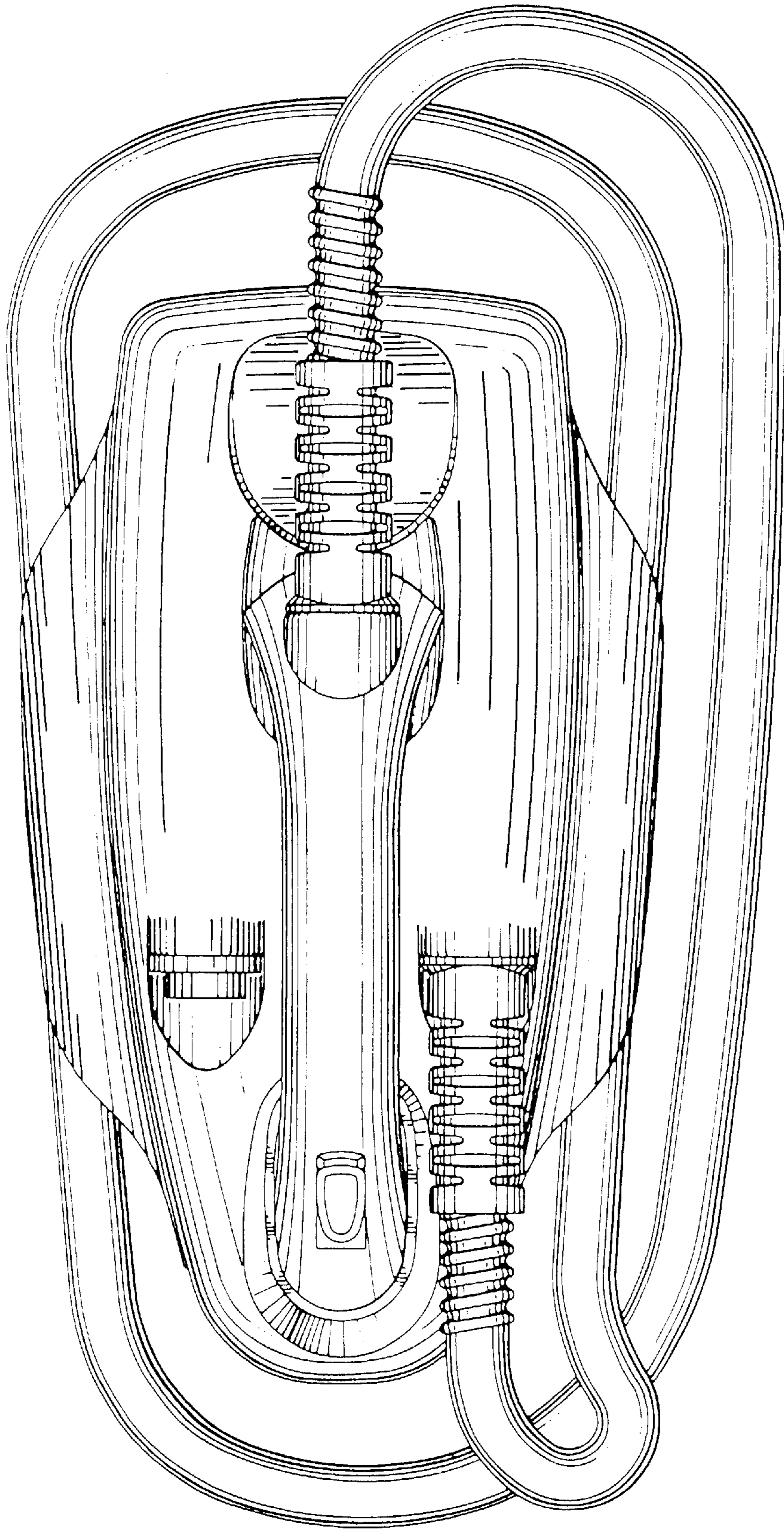


Fig. 5

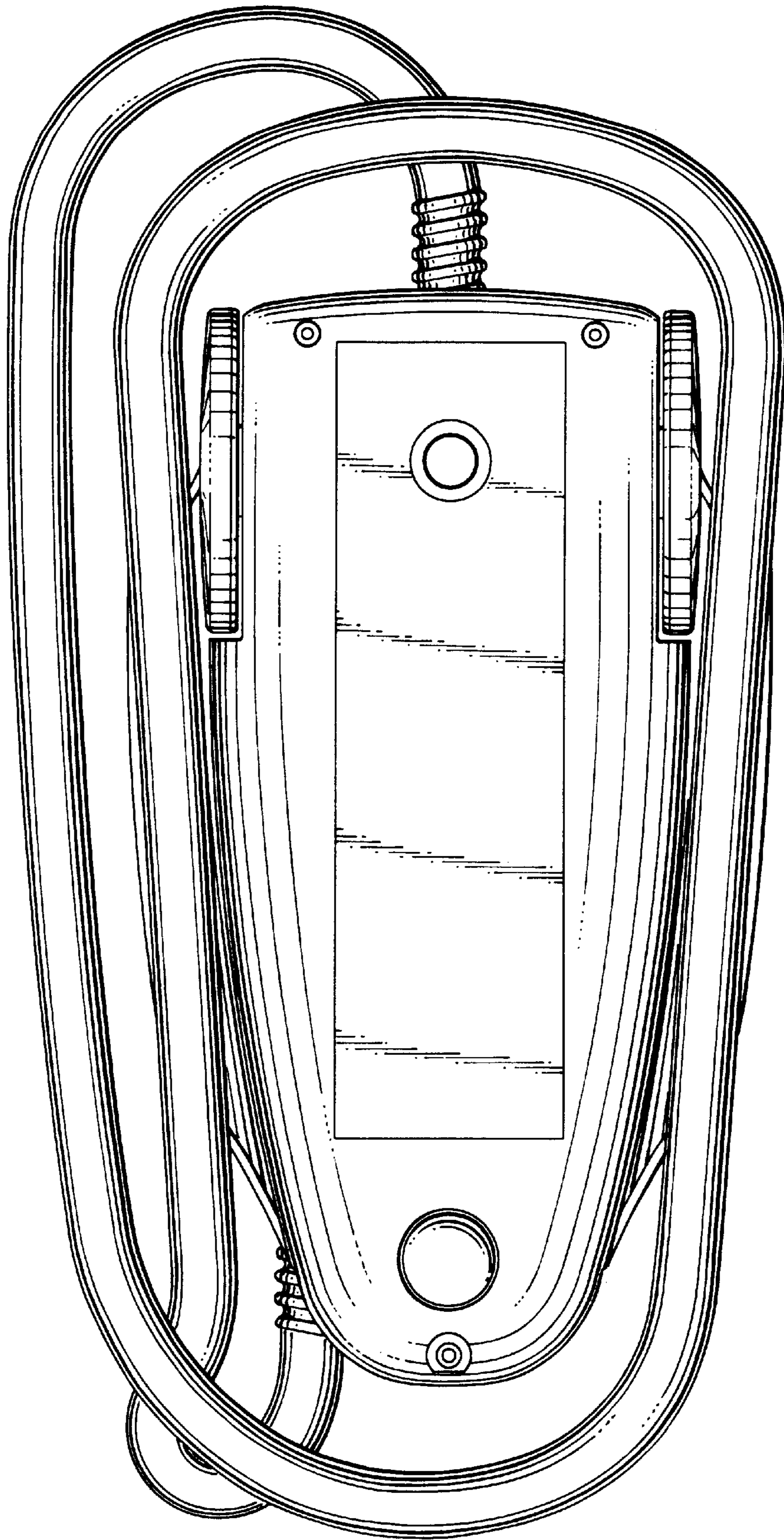


FIG. 6