



US00D452581B1

(12) **United States Design Patent**
Zakrzewski et al.

(10) **Patent No.:** **US D452,581 S**

(45) **Date of Patent:** **** Dec. 25, 2001**

(54) **TRACK LIGHTING FIXTURE**

(75) Inventors: **Bogdan Zakrzewski**, Bartlett; **Steven Pyshos**, Glenview, both of IL (US)

(73) Assignee: **Cooper Industries, Inc.**, Houston, TX (US)

(**) Term: **14 Years**

(21) Appl. No.: **29/128,418**

(22) Filed: **Aug. 24, 2000**

(51) **LOC (7) Cl.** **26-05**

(52) **U.S. Cl.** **D26/138; D26/61; D13/139.2**

(58) **Field of Search** D26/60-66; 362/267, 362/269, 281, 285, 287, 418, 419, 427, 430; D13/756, 757, 139.1; 439/121, 111, 117

(56) **References Cited**

U.S. PATENT DOCUMENTS

D. 247,171	2/1978	Berkenhoff .	
D. 260,300 *	8/1981	Area	D26/63
D. 326,928	6/1992	Wereley .	
D. 408,937 *	4/1999	Waldmann	D26/63
4,032,208	6/1977	Berkenhoff .	
4,699,439	10/1987	Cohen .	
5,354,030	10/1994	Harwood .	
5,593,224	1/1997	Kunkel et al. .	
5,855,485	1/1999	Patti .	
6,022,130	2/2000	Donato .	
6,059,582 *	5/2000	Tsai	362/287 X

6,079,992 6/2000 Kuchar et al. .

* cited by examiner

Primary Examiner—Susan J. Lucas

(74) *Attorney, Agent, or Firm*—Fish & Richardson P.C.

(57) **CLAIM**

We claim the ornamental design for a track lighting fixture, as shown and described.

DESCRIPTION

FIG. 1 is A left, top and rear perspective view showing the bracket attachment member of the new track lighting fixture design.

FIG. 2 is A front, right and bottom perspective view showing the bracket attachment member of the new track lighting fixture design.

FIG. 3 is A partial front, right and top exploded perspective view of an embodiment showing a tube, track, and bracket attachment member of the new track lighting fixture design.

FIG. 4 is A partial front, left and top side perspective view of an embodiment showing a tube, a portion of the track and the bracket attachment member of the new track lighting fixture design.

FIG. 5 is A partial front, top and left exploded perspective view of an embodiment showing a portion of the track, the bracket attachment member, and a cable attachment member of the new track lighting fixture design; and,

FIG. 6 is A partial front, top and left perspective view of an embodiment showing a portion of the track, the bracket attachment member, and a cable attachment member of the new track lighting fixture design.

1 Claim, 6 Drawing Sheets

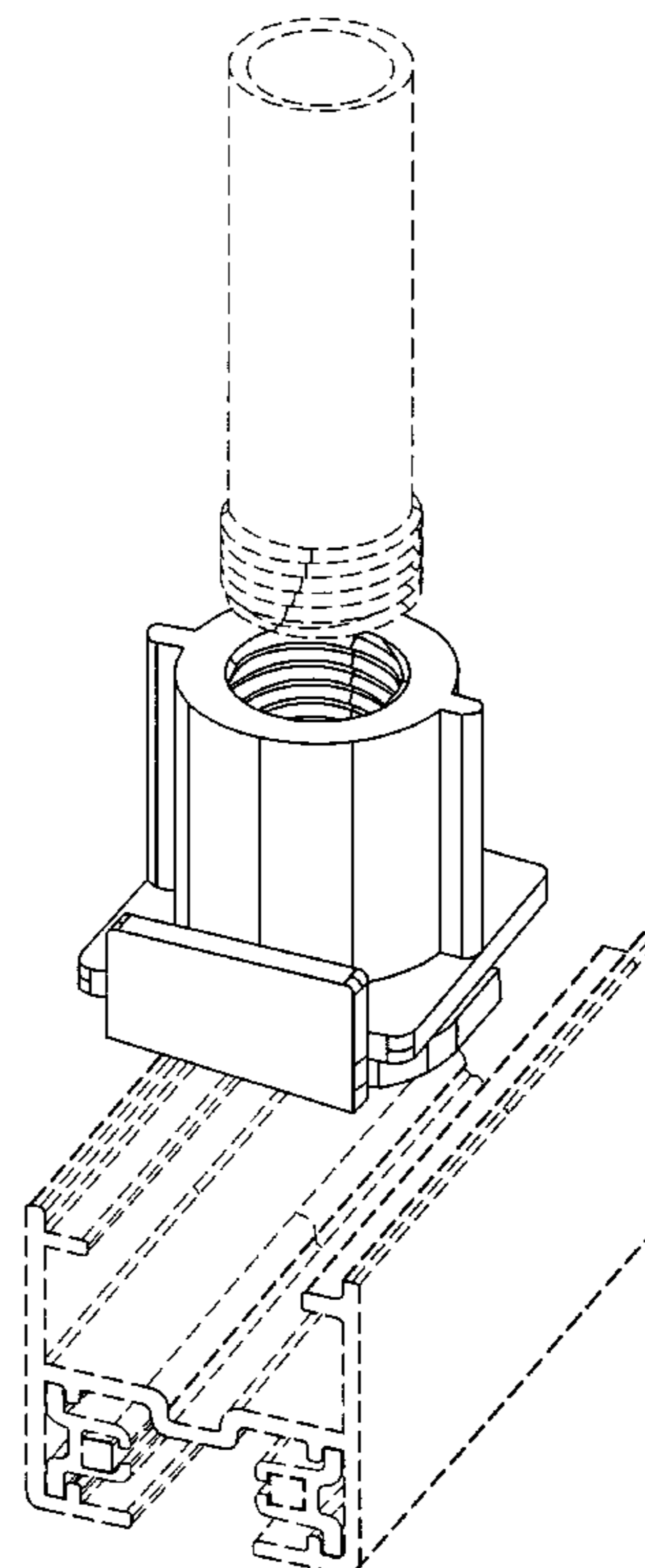
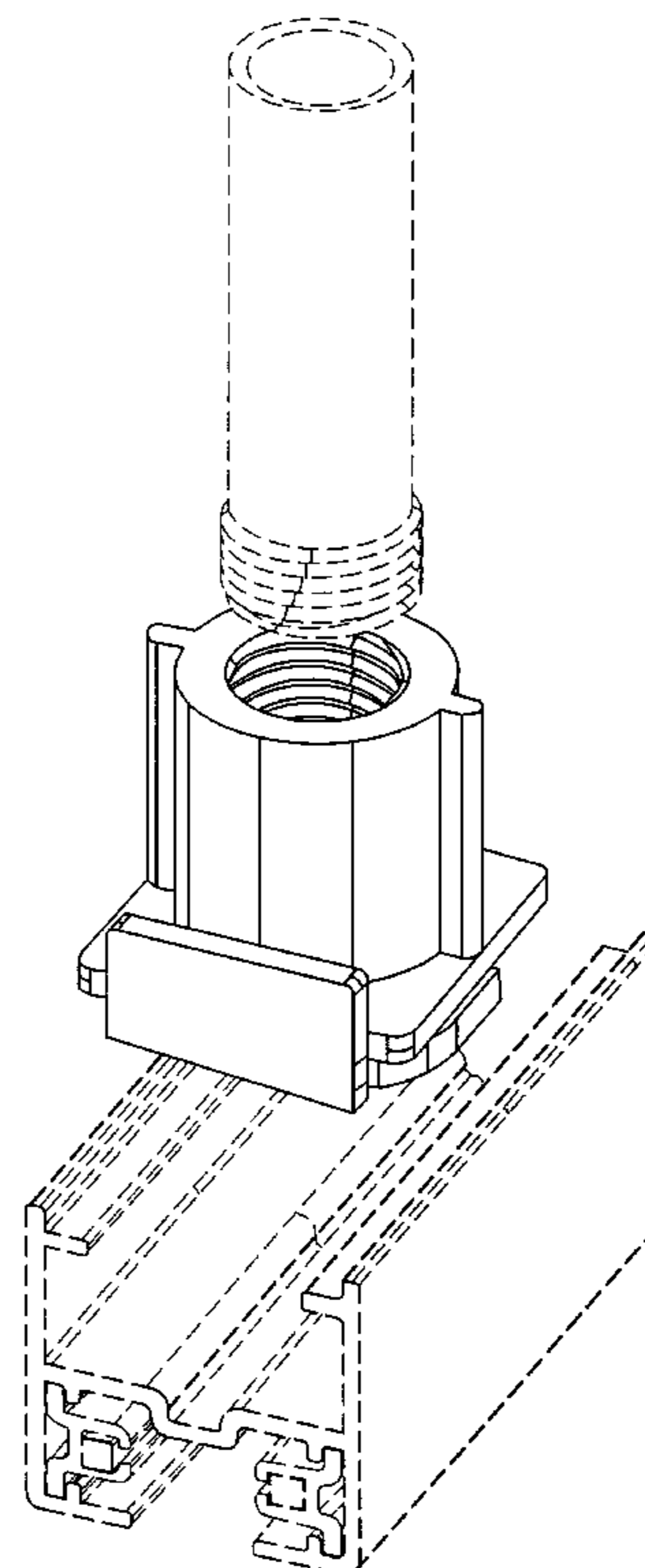
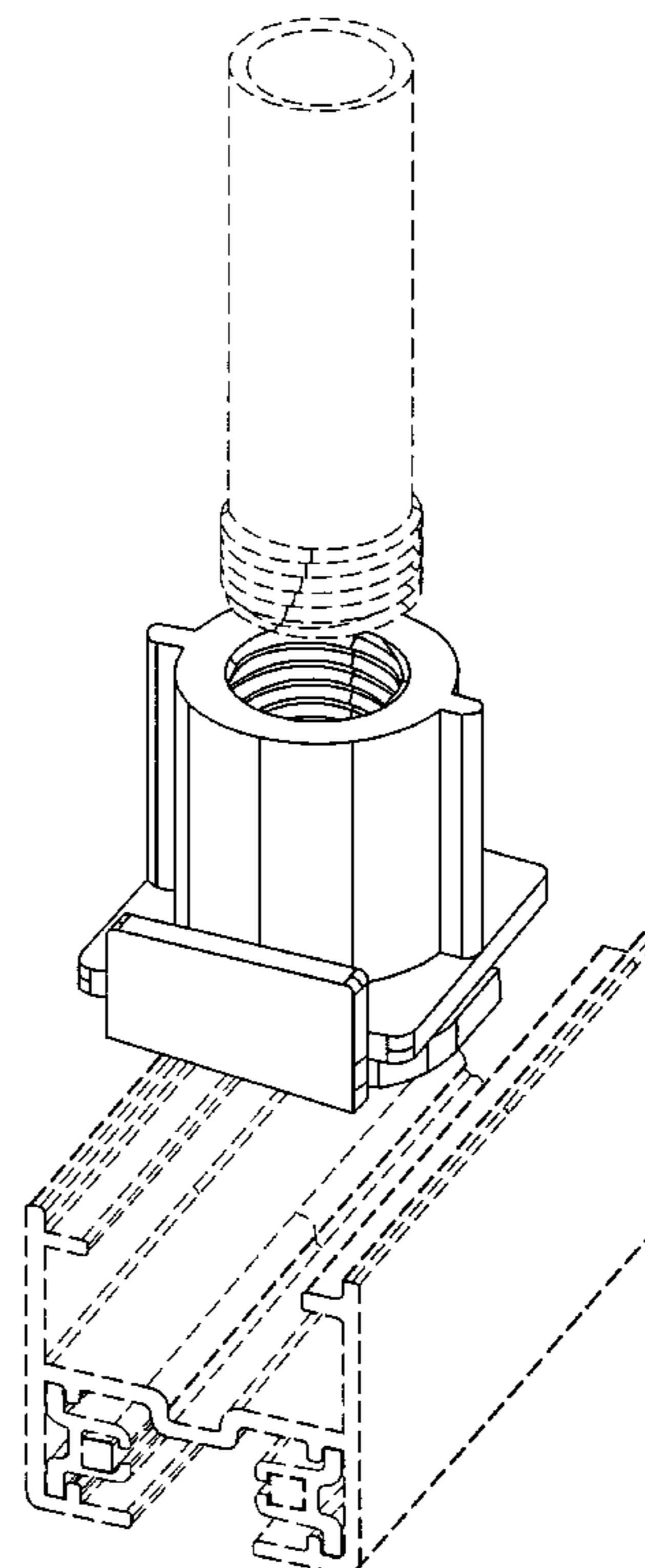
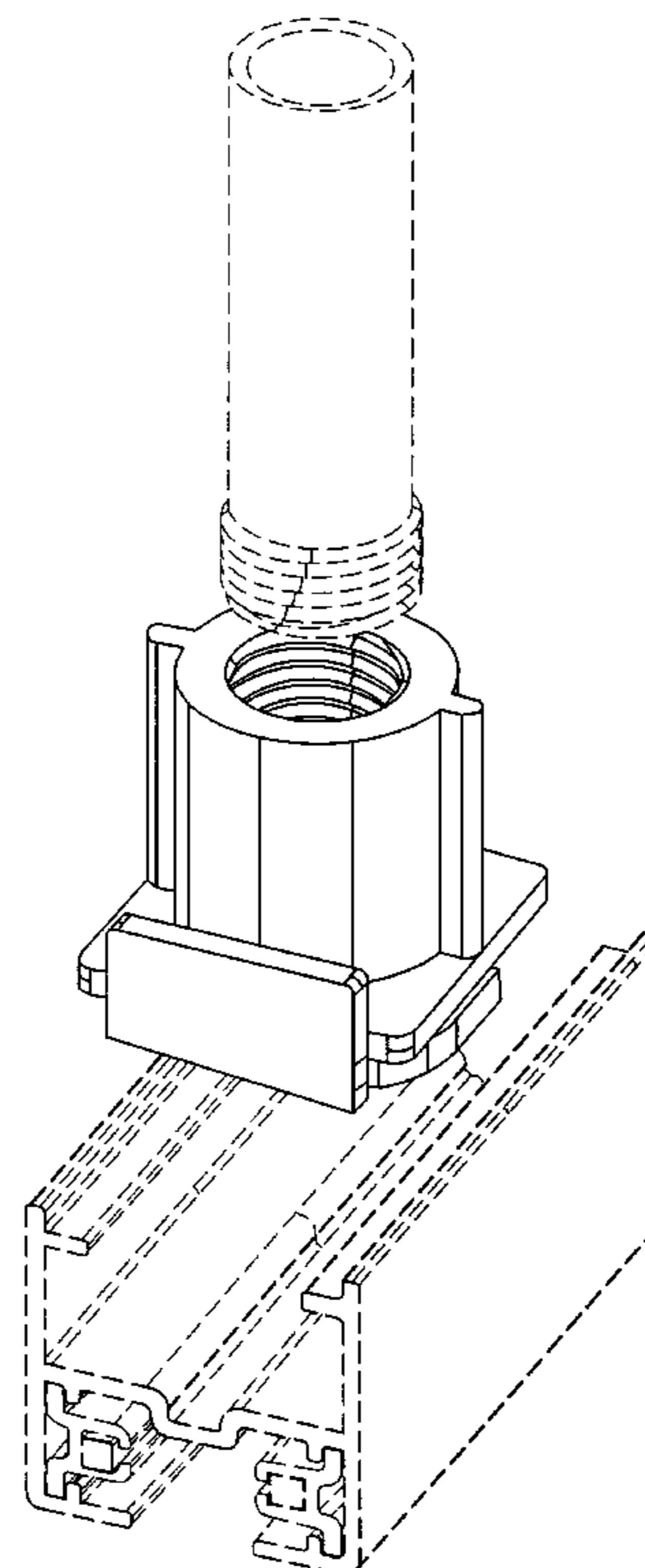
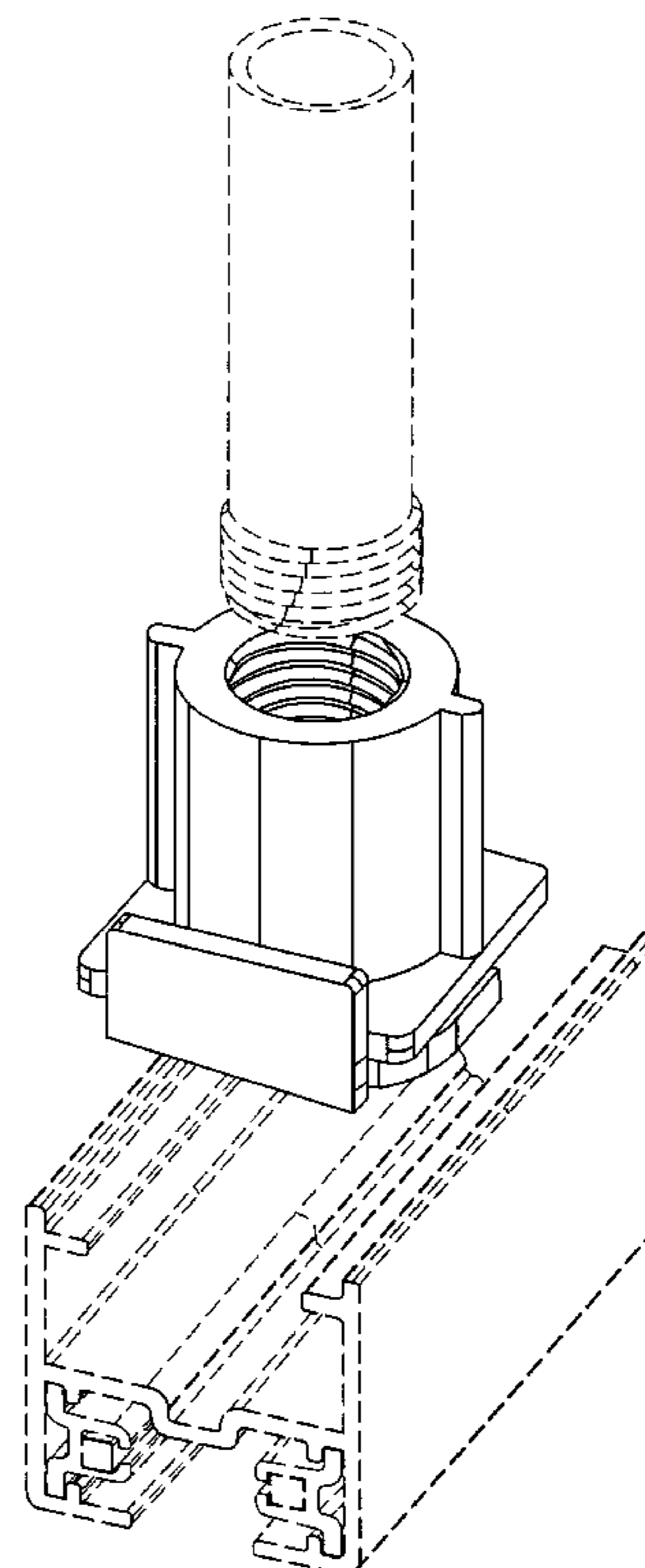
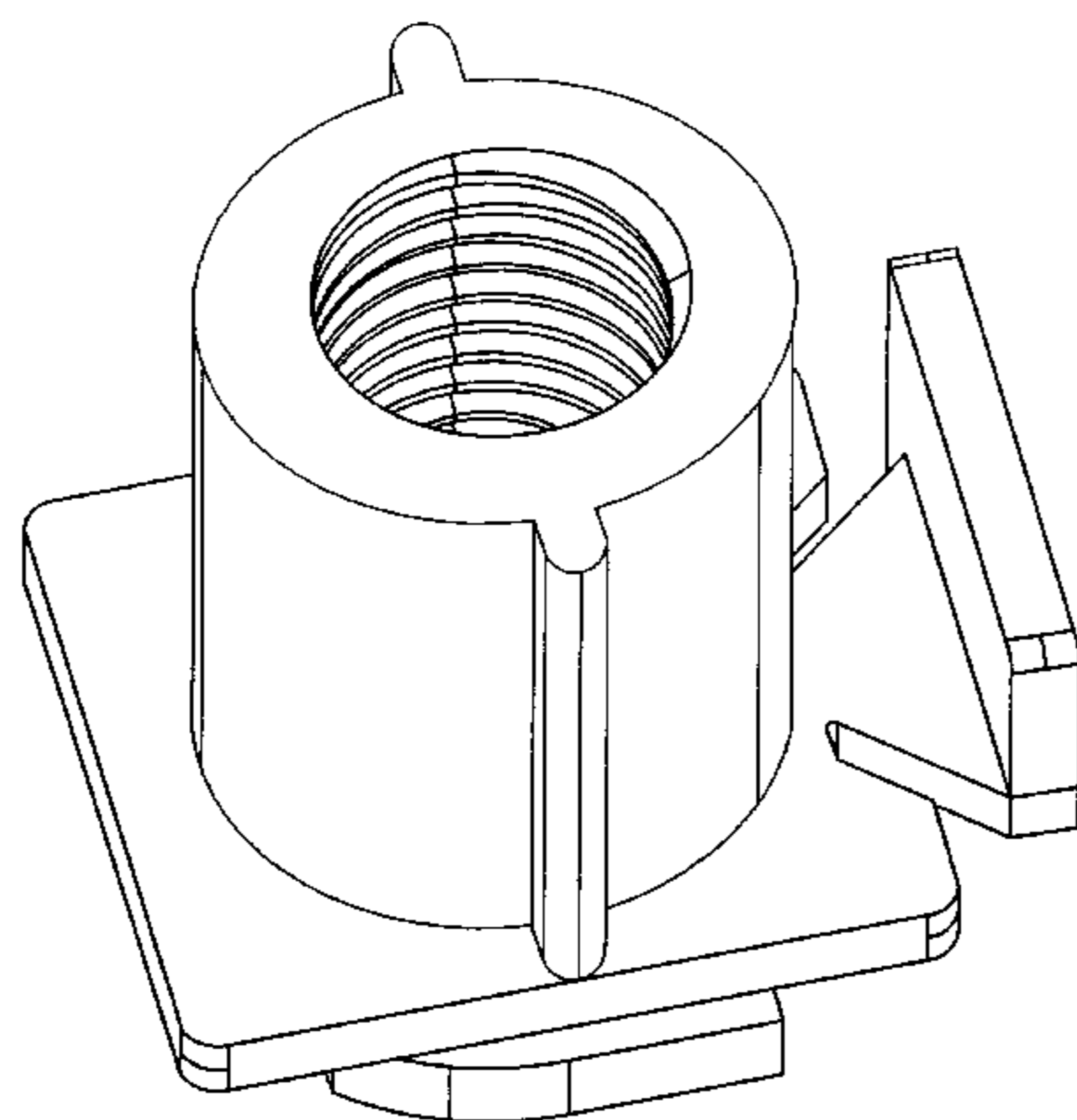


FIG. 1

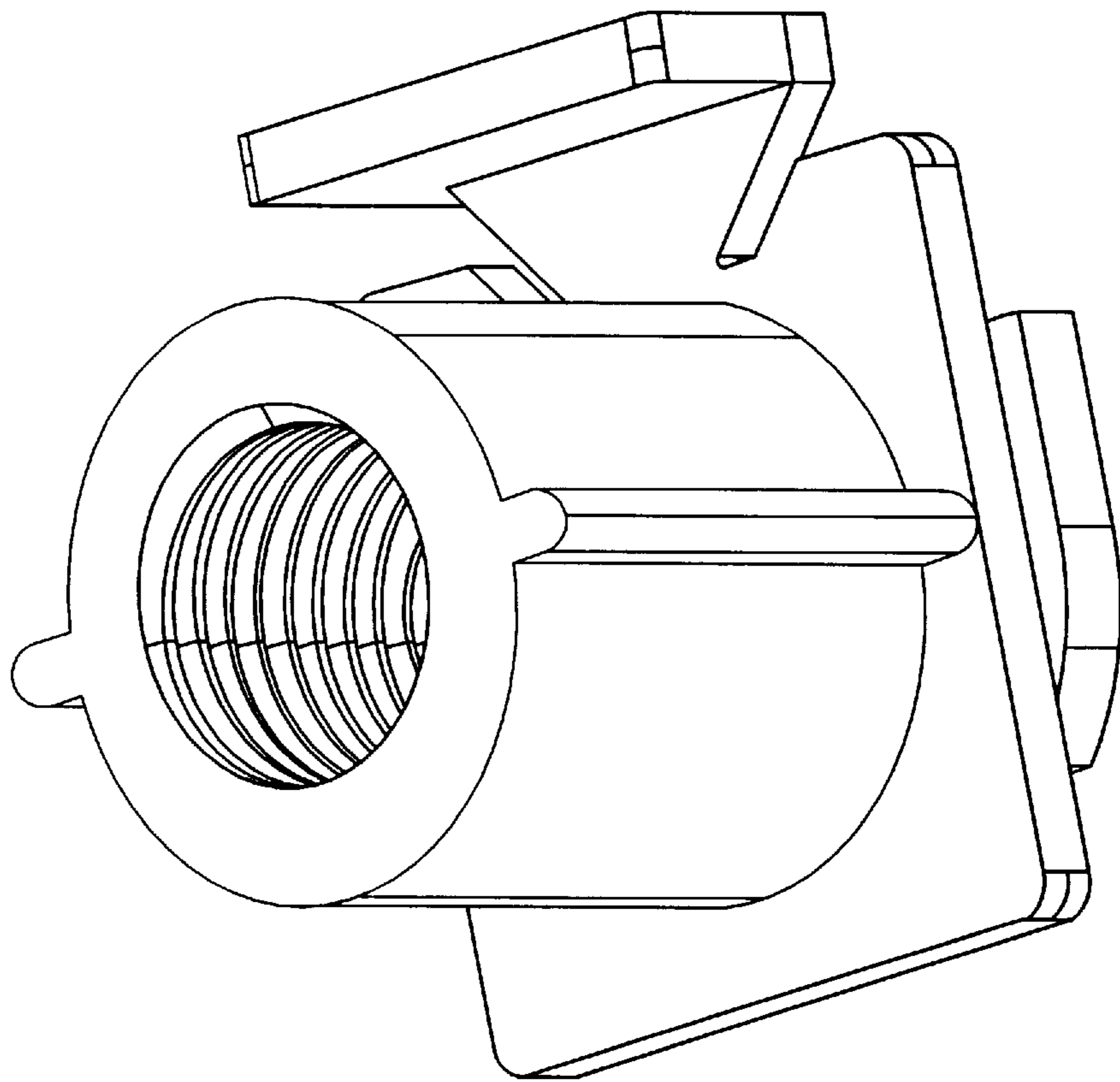


FIG. 2

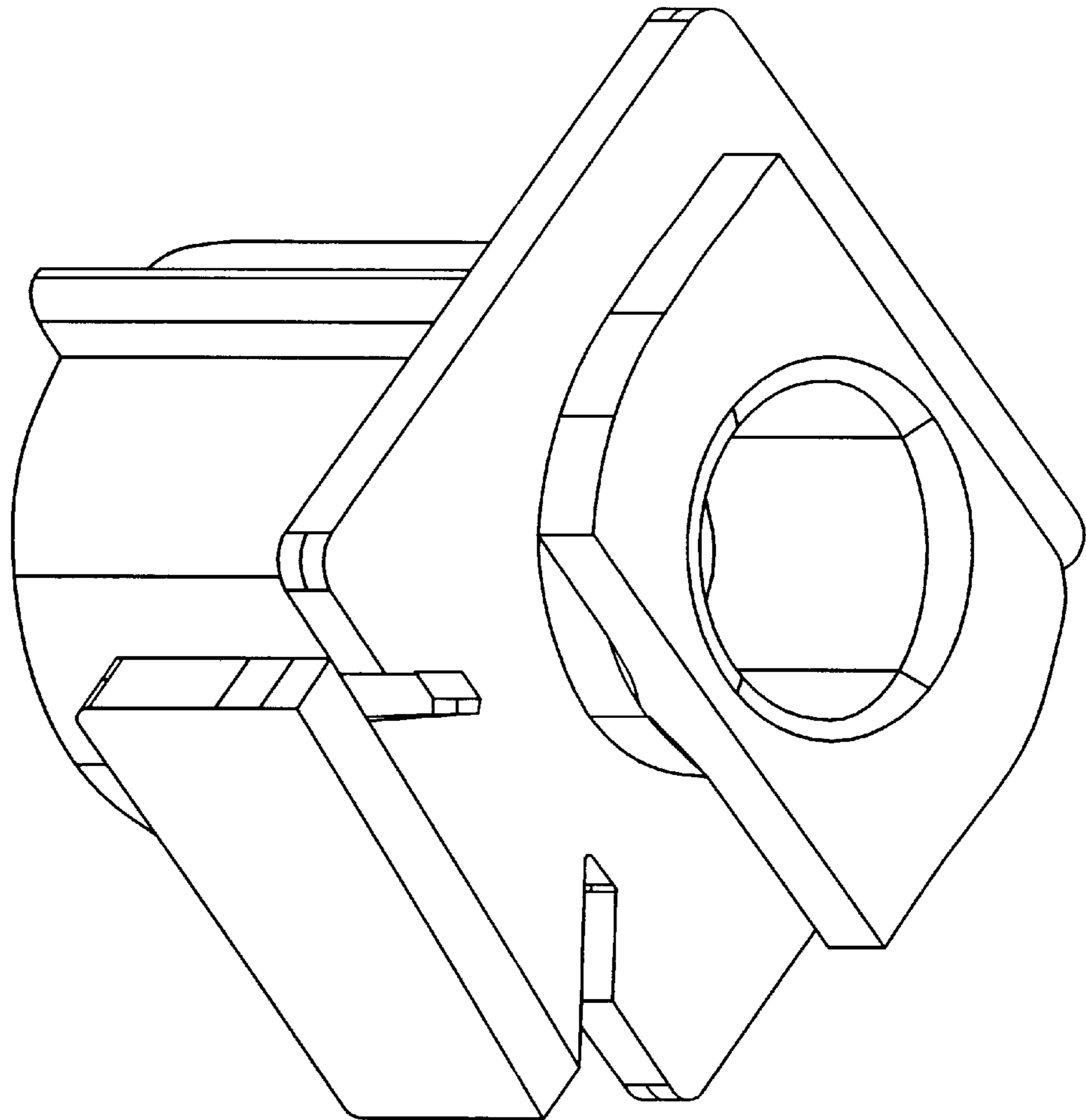


FIG. 3

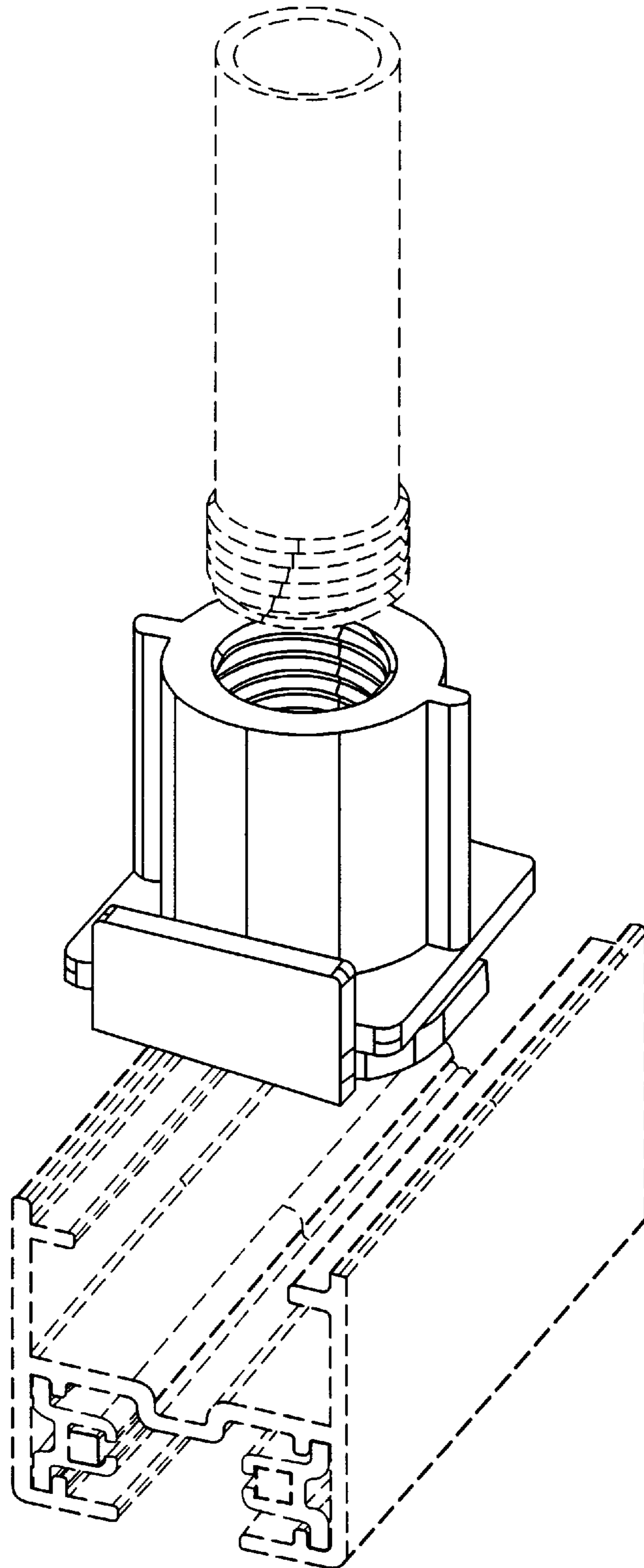


FIG. 4

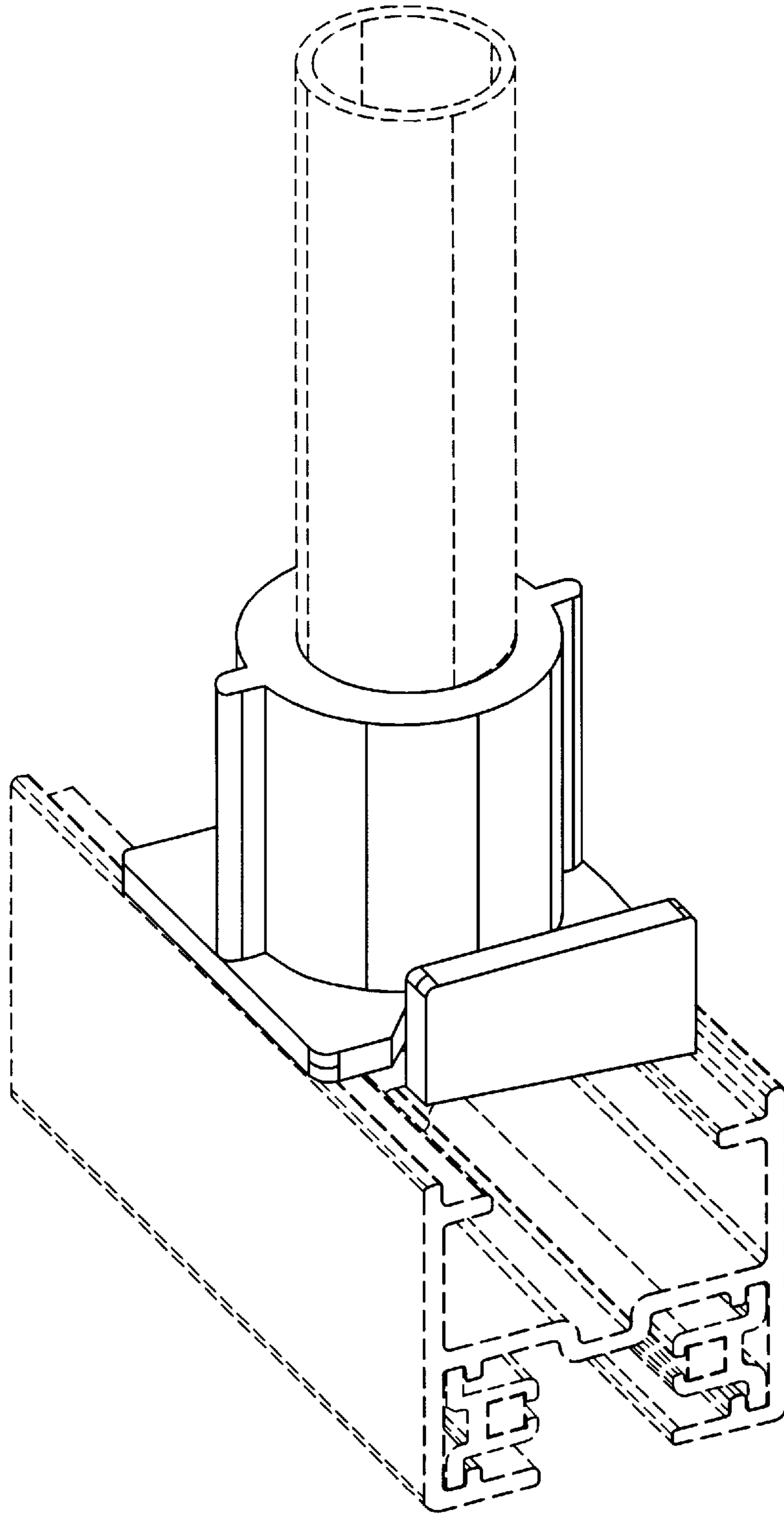


FIG. 5

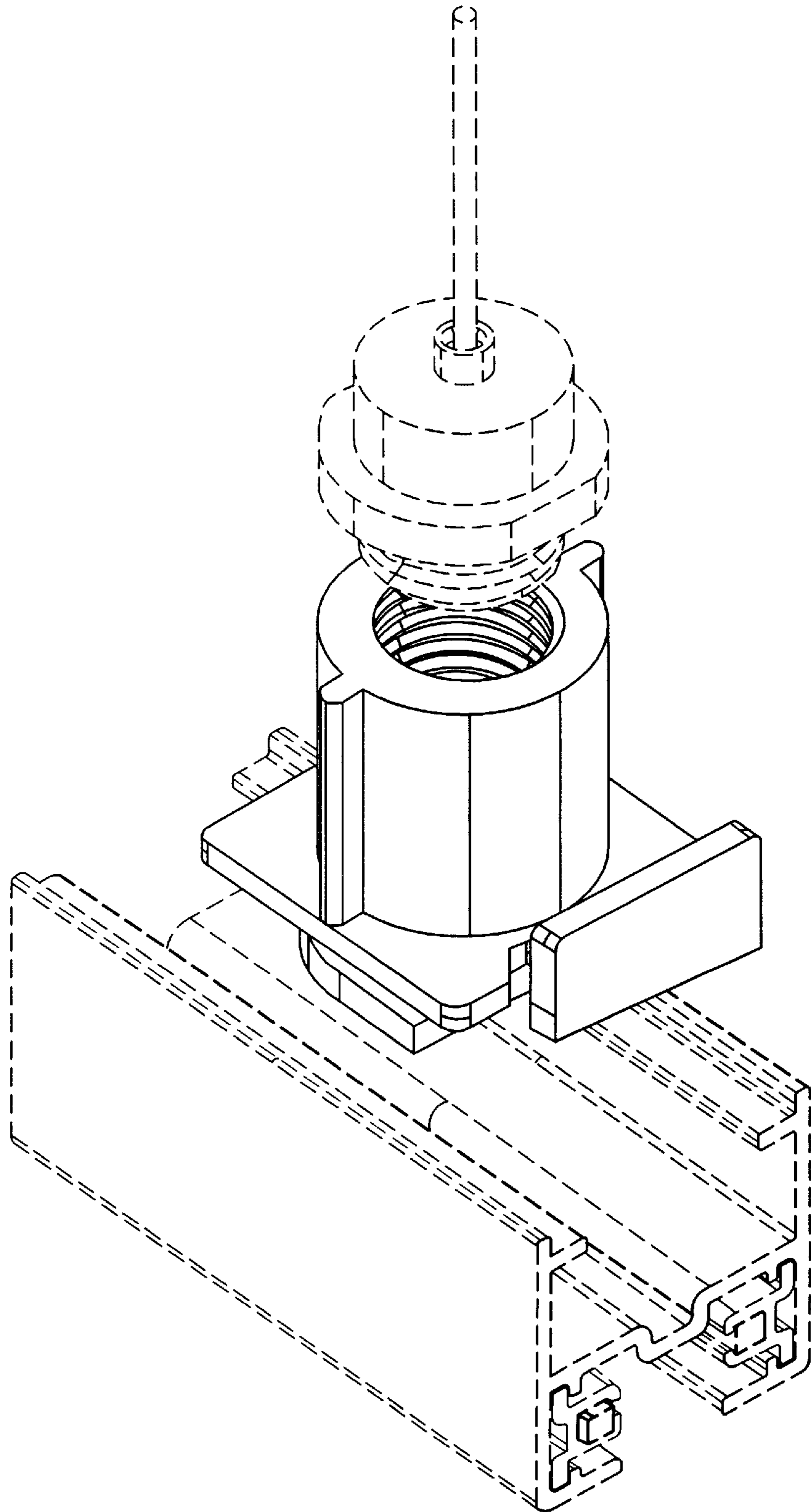


FIG. 6

