



US00D452580B1

(12) **United States Design Patent** (10) **Patent No.:** **US D452,580 S**
Levy (45) **Date of Patent:** **** Dec. 25, 2001**

(54) **LAMP**
(75) Inventor: **Arik Levy**, Paris (FR)
(73) Assignee: **Roset S.A.** (FR)
(**) Term: **14 Years**

Primary Examiner—Alan P. Douglas
Assistant Examiner—Linda Brooks
(74) *Attorney, Agent, or Firm*—Mathews, Collins, Shepherd & Gould, P.A.

(21) Appl. No.: **29/112,114**
(22) Filed: **Oct. 8, 1999**

(57) **CLAIM**
The ornamental design for a lamp, as shown and described.

(30) **Foreign Application Priority Data**
Apr. 9, 1999 (XH) DM/047 480
(51) **LOC (7) Cl.** **26-03**
(52) **U.S. Cl.** **D26/102**
(58) **Field of Search** D26/51, 56, 61–66,
D26/93, 102–112; 362/410–414, 431, 157,
174, 227, 235–239, 806; D6/301, 313,
462

DESCRIPTION

FIG. 1 is a front and side perspective view of a first embodiment of a lamp, showing my new design;
FIG. 2 is a side elevational view taken from the left of FIG. 1;
FIG. 3 is a side elevational view taken from the right of FIG. 1;
FIG. 4 is a side elevational view of Embodiment 1 in alternate configuration;
FIG. 5 is a side elevational view of a second embodiment of my new lamp (in the same configuration shown in FIG. 4), the only difference being the removal of the ring-shaped clips for clipping the electrical cord;
FIG. 6 is a top plan view of the configuration of FIG. 1; and,
FIG. 7 is a bottom plan view of the configuration of FIG. 1.
The broken lines shown form no part of the claimed design.

(56) **References Cited**
U.S. PATENT DOCUMENTS
D. 164,195 * 8/1951 Pendleton D26/93 X
D. 227,848 * 7/1973 Schneider D26/102 X
4,363,084 * 12/1982 Dimiceli 362/431 X

OTHER PUBLICATIONS
Waldron and Company, Inc., Lamps by Stnola catalog ©
“Lily” and “Twin-Flex” lamps, p. 388, 1956.*

* cited by examiner

1 Claim, 5 Drawing Sheets

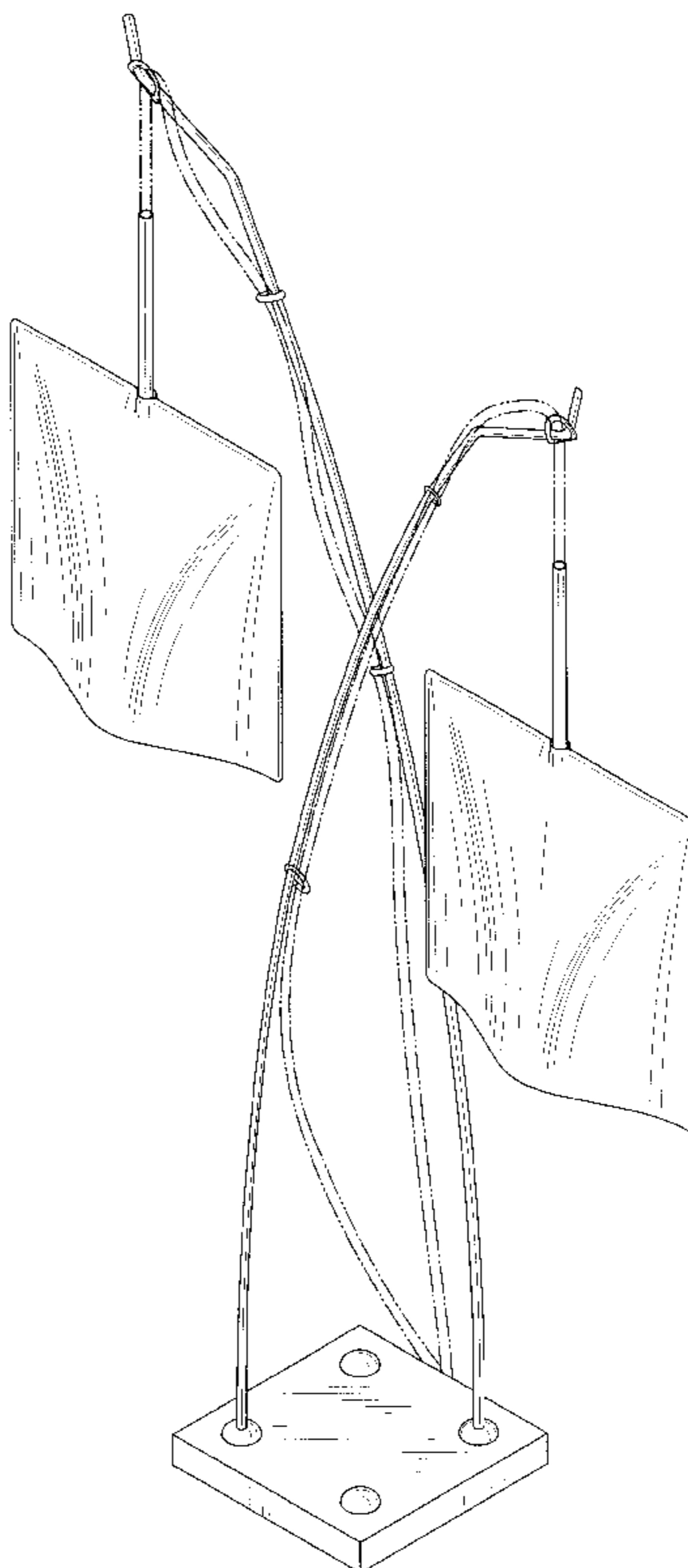


FIG. 1

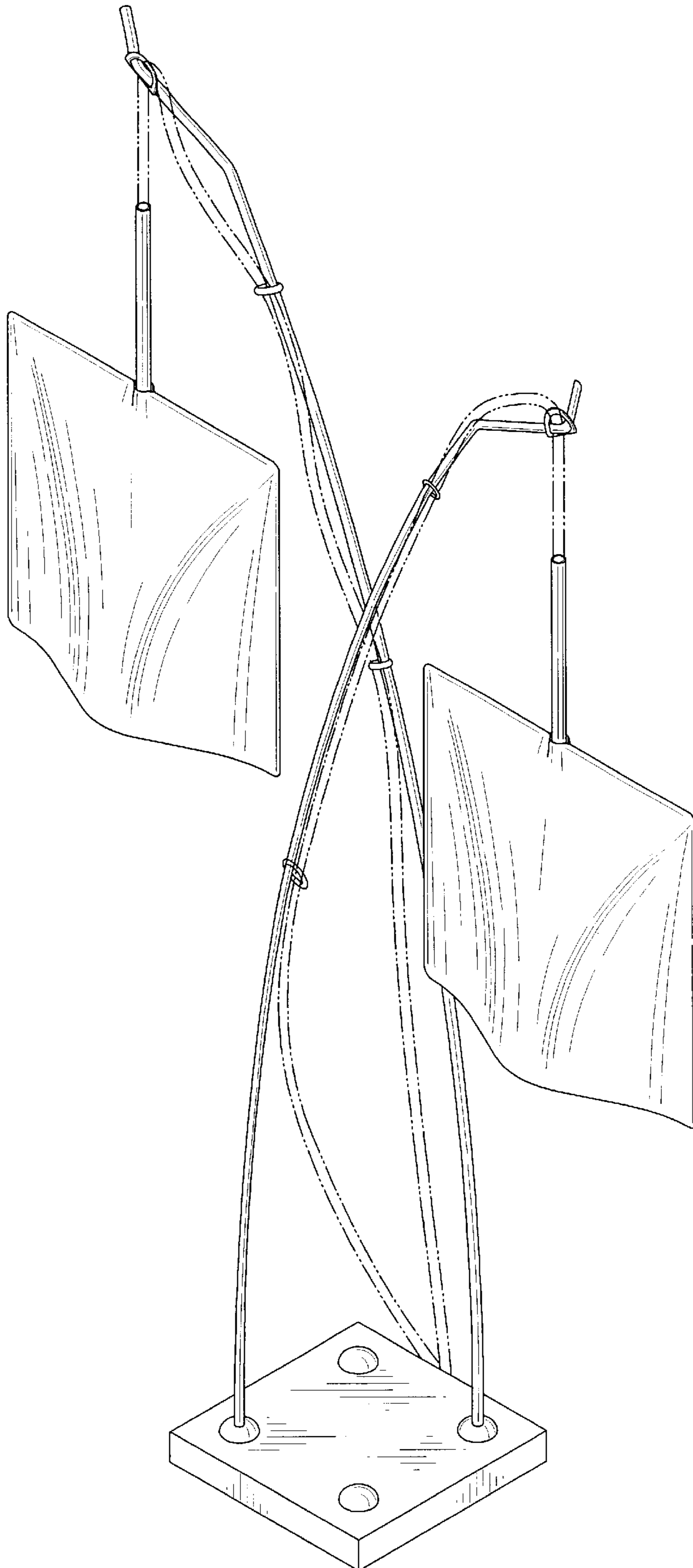


FIG. 2

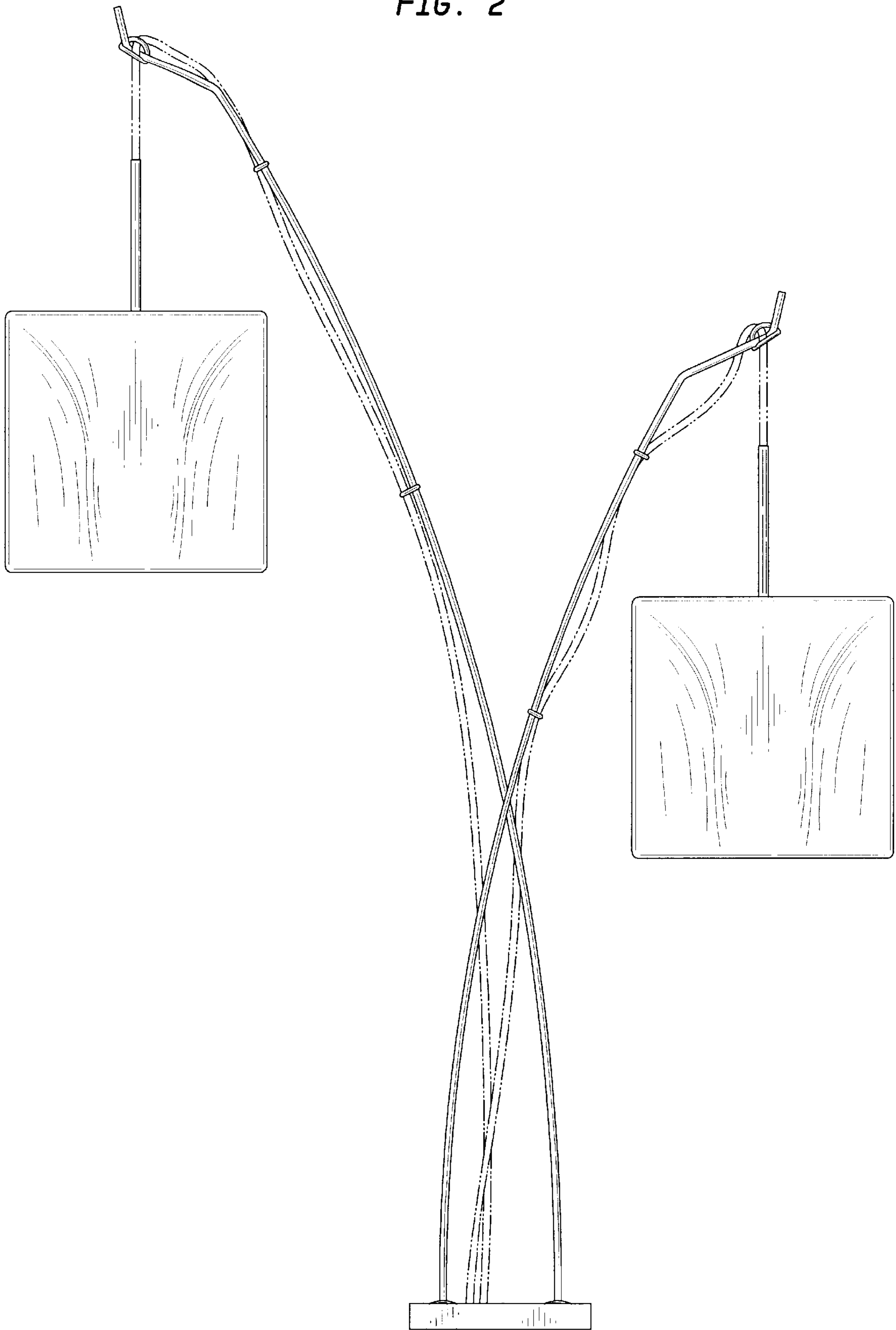


FIG. 3

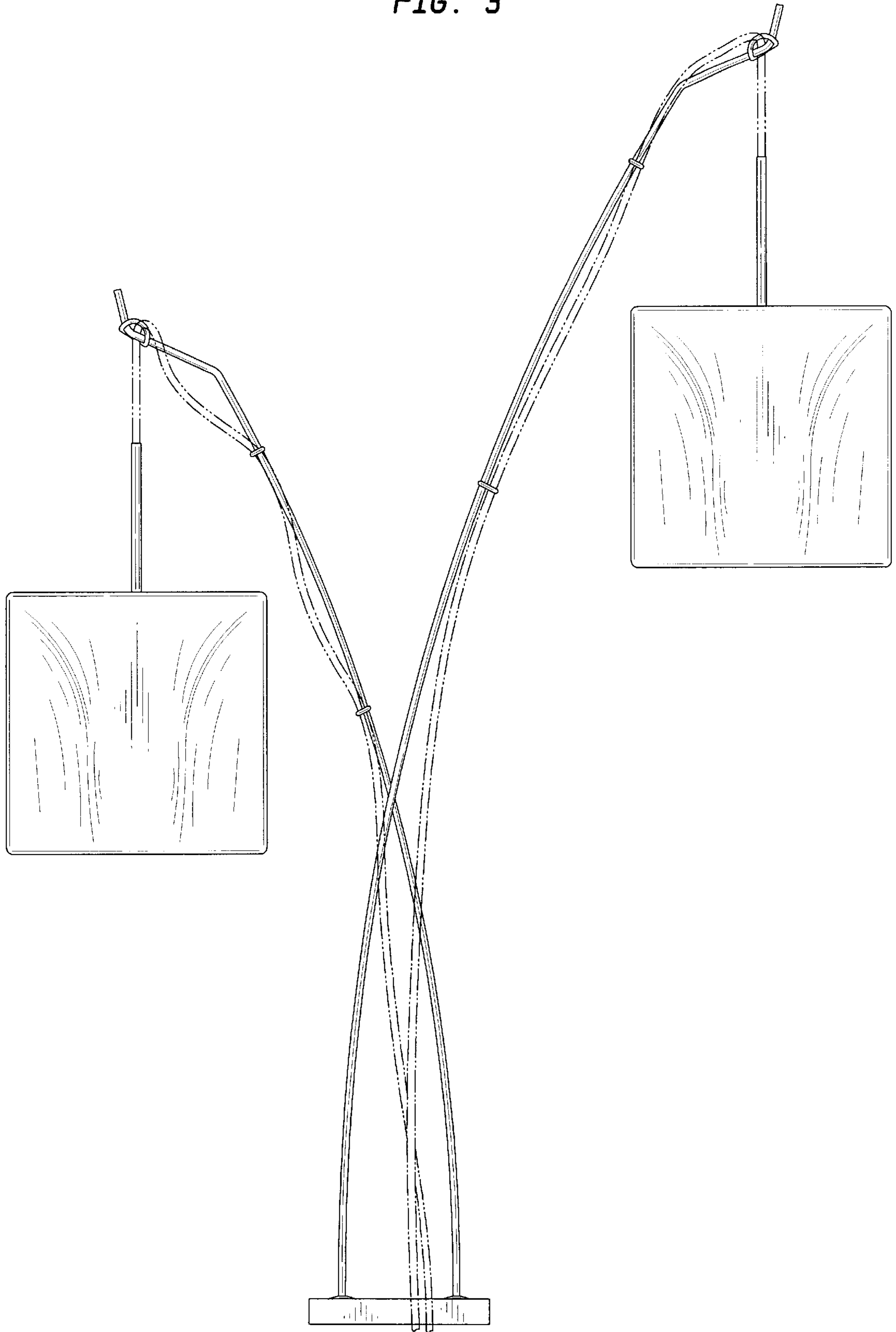


FIG. 4

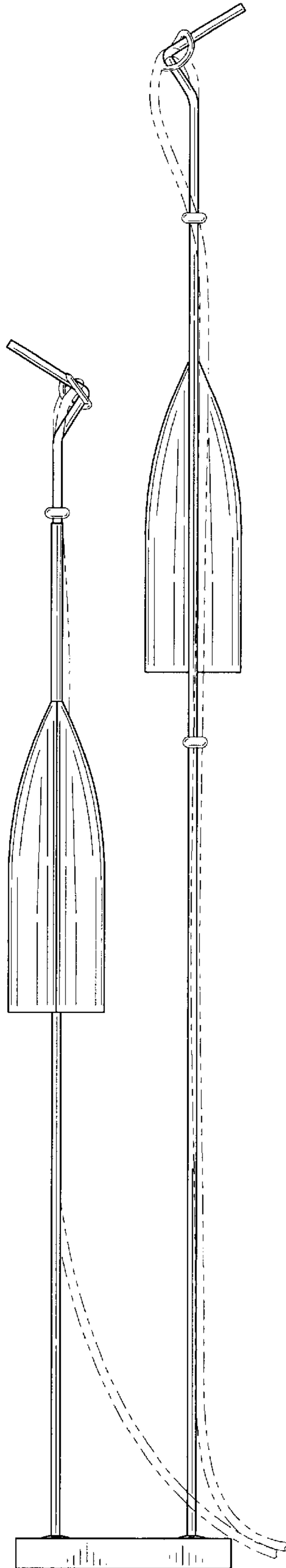


FIG. 5

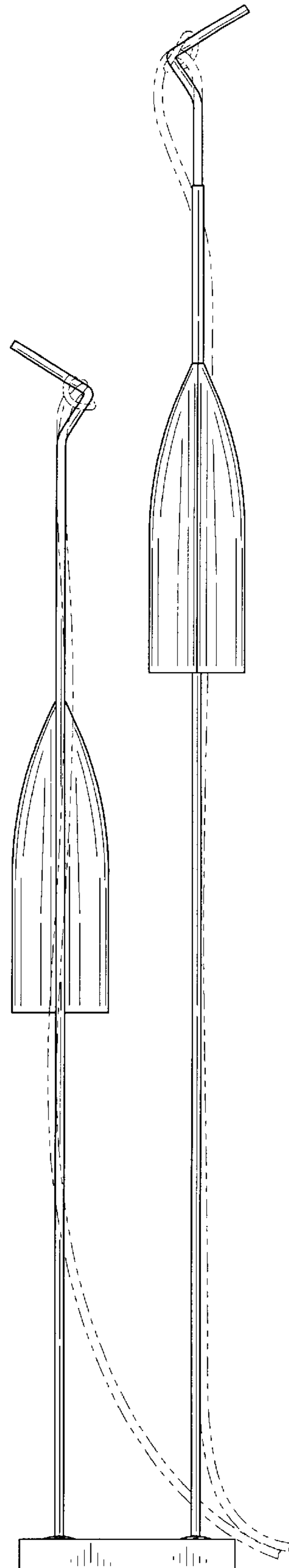


FIG. 6

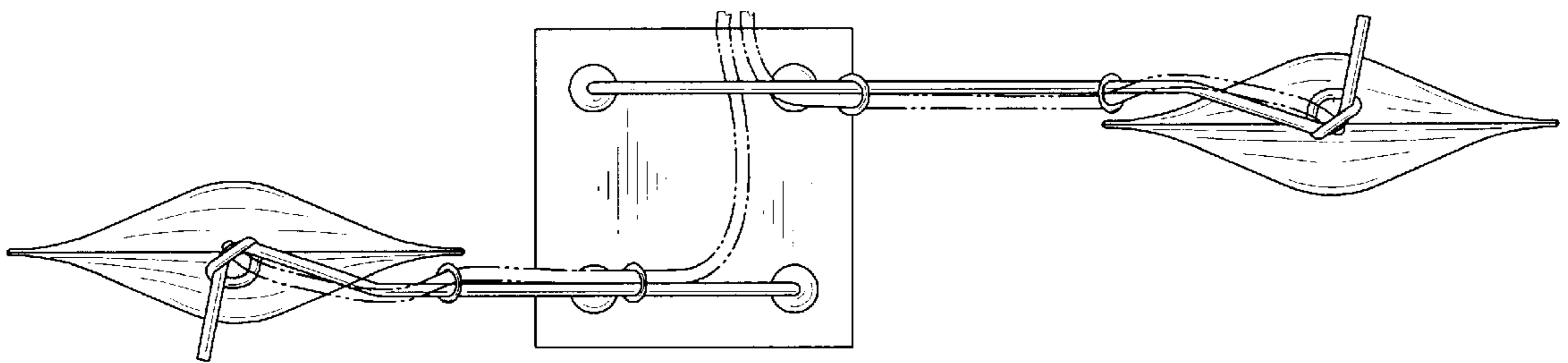


FIG. 7

