



US00D452579B1

(12) **United States Design Patent**
Shemitz et al.

(10) **Patent No.:** **US D452,579 S**

(45) **Date of Patent:** **** Dec. 25, 2001**

(54) **TWIN-UNIT ASYMMETRIC DISTRIBUTION LUMINAIRE WITH UPLIGHT**

(75) Inventors: **Sylvan R. Shemitz**, Woodbridge; **Paul R. Ford**, Orange, both of CT (US)

(73) Assignee: **Sylvan R. Shemitz Designs, Inc.**, West Haven, CT (US)

(**) Term: **14 Years**

(21) Appl. No.: **29/139,383**

(22) Filed: **Mar. 29, 2001**

(51) **LOC (7) Cl.** **26-05**

(52) **U.S. Cl.** **D26/76**

(58) **Field of Search** D26/217, 218,
D26/219, 220, 221, 222, 223; 362/217,
218, 219, 220, 221, 222, 223

(56) **References Cited**

U.S. PATENT DOCUMENTS

- D. 363,805 * 10/1995 Cole, Jr. D26/76
- D. 404,513 * 1/1999 Herst et al. D26/77

* cited by examiner

Primary Examiner—Susan J. Lucas
(74) *Attorney, Agent, or Firm*—Fish & Neave; Garry J. Tuma

(57) **CLAIM**

The ornamental design for a twin-unit asymmetric distribution luminaire with upright, as shown and described.

DESCRIPTION

FIG. 1 is a front, right, bottom, perspective view of a twin-unit asymmetric distribution luminaire with upright, showing our new design;

FIG. 2 is a top plan view thereof;

FIG. 3 is a bottom plan view thereof;

FIG. 4 is a right side elevational view thereof, the left side being a mirror image;

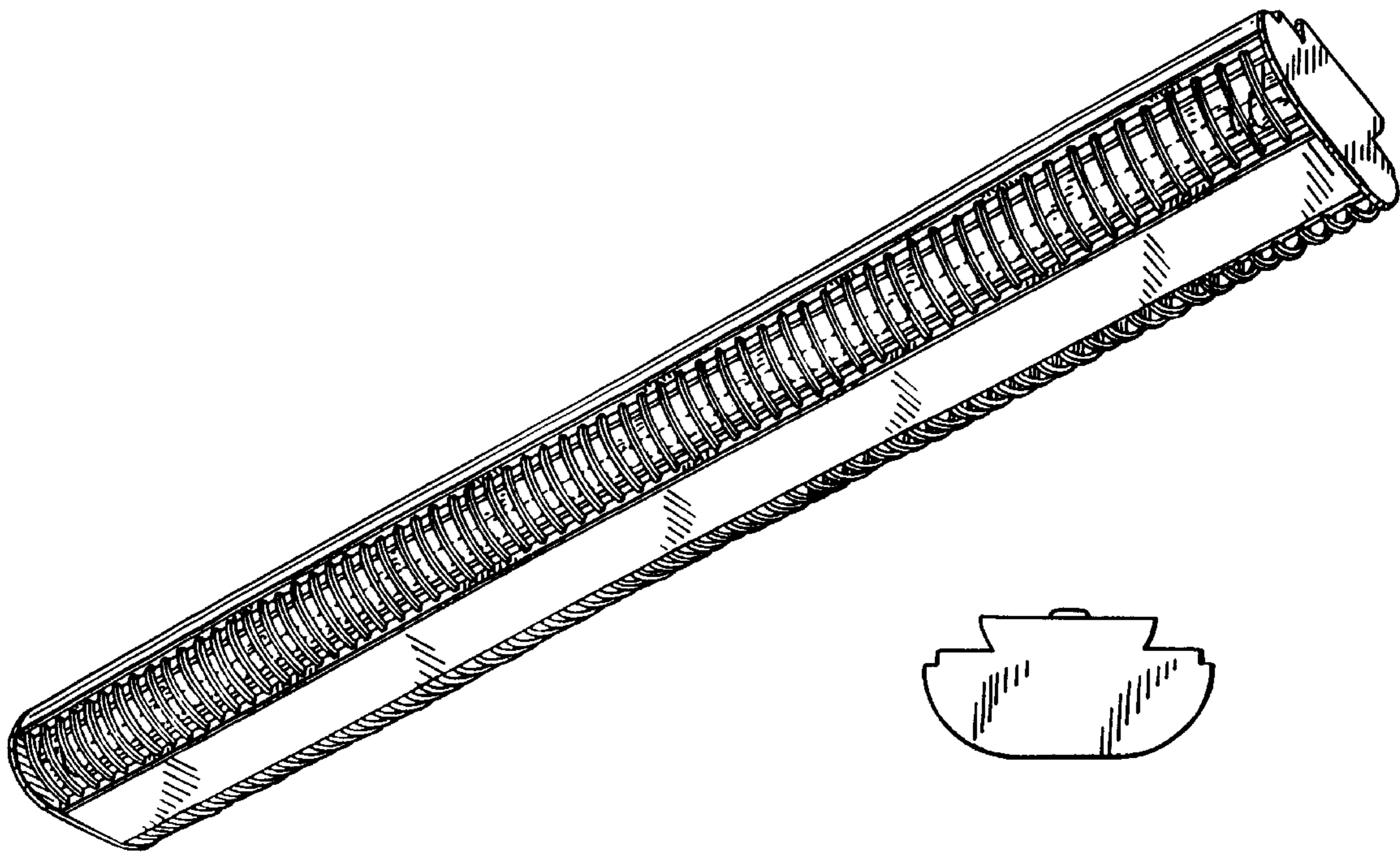
FIG. 5 is a front elevational view thereof;

FIG. 6 is a rear elevational view thereof; and,

FIG. 7 is a front, left, top, perspective view thereof.

The subject matter shown in broken line represents unclaimed fluorescent lamps which are shown for illustrative purposes and form no part of the claimed design.

1 Claim, 4 Drawing Sheets



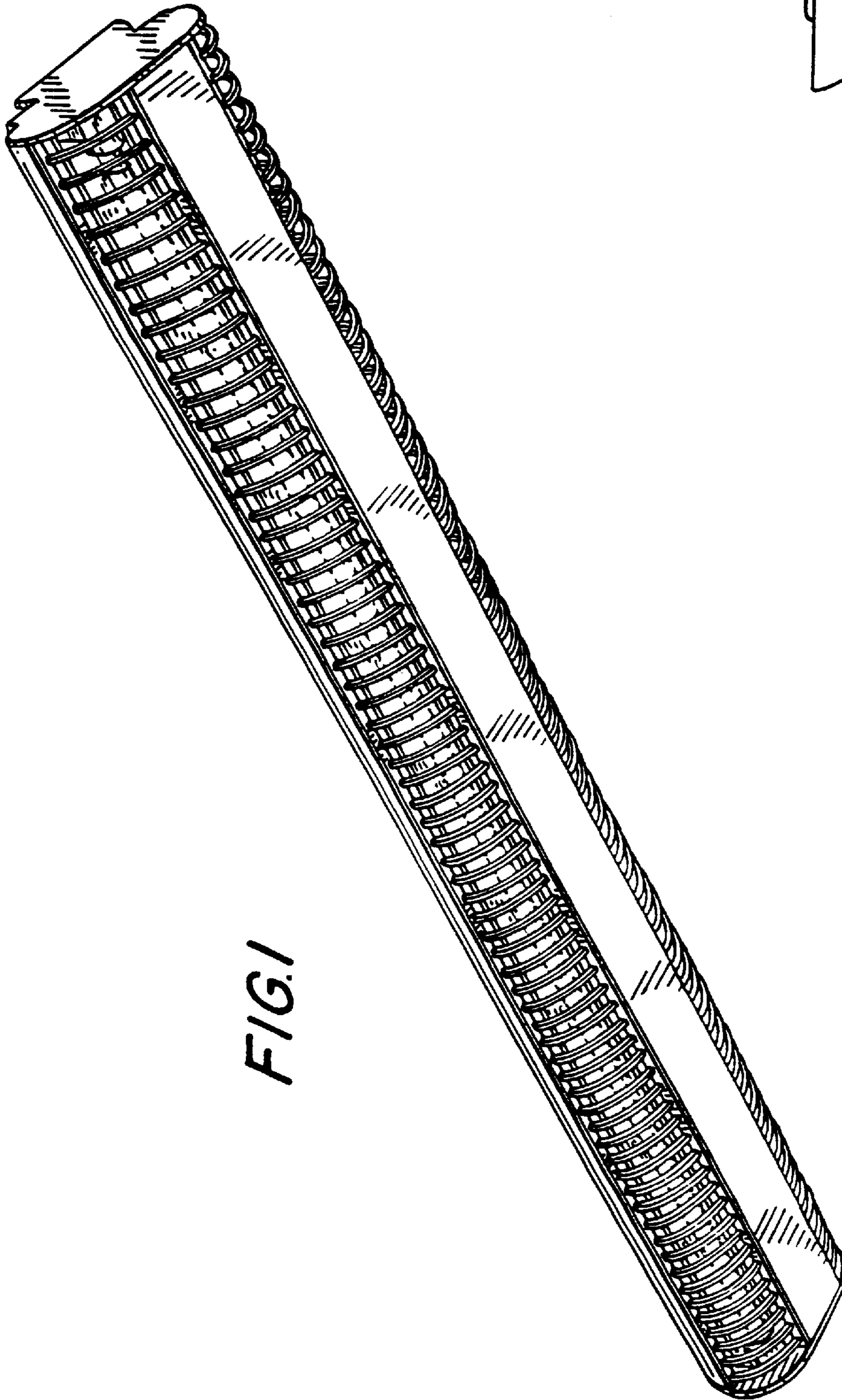


FIG. 1

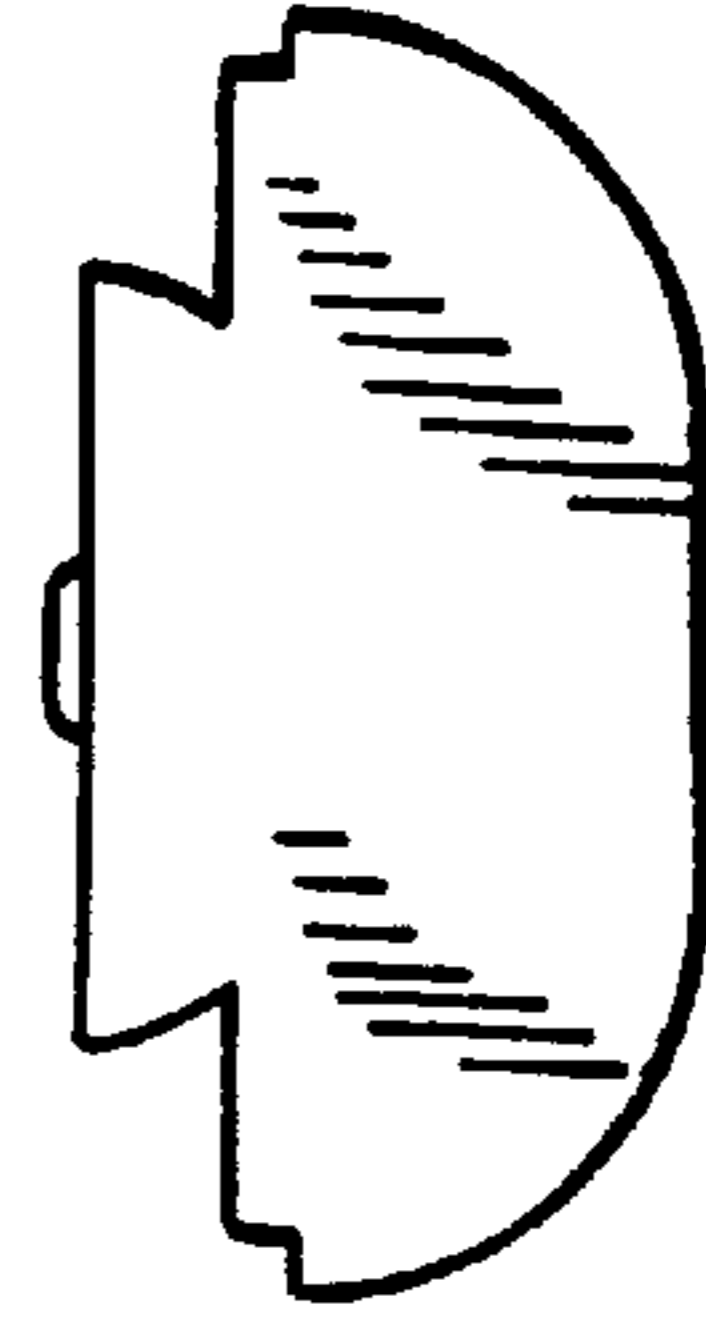


FIG. 4

FIG. 2

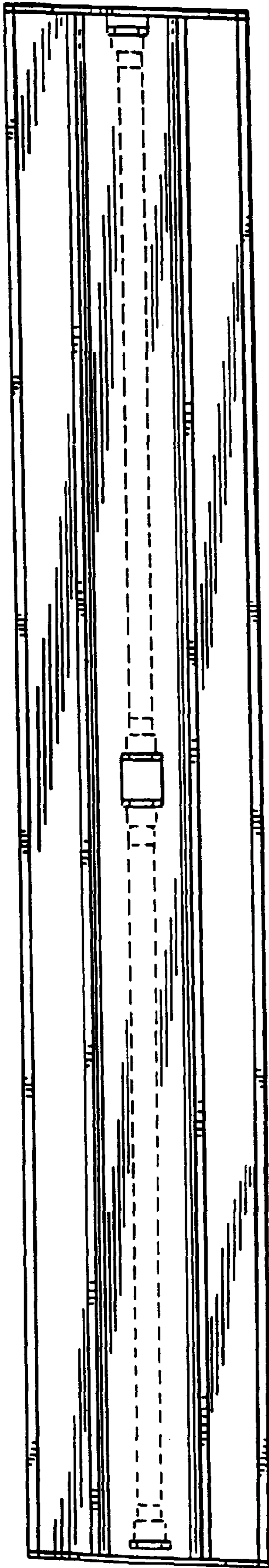


FIG. 3

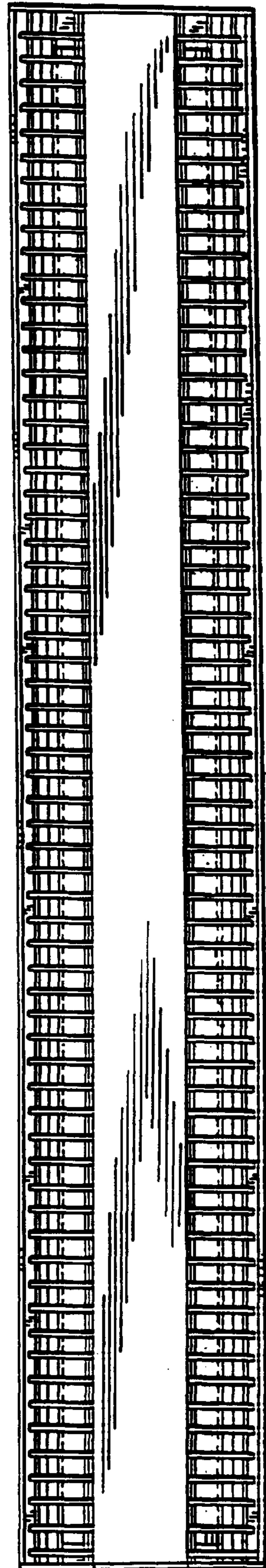


FIG. 5

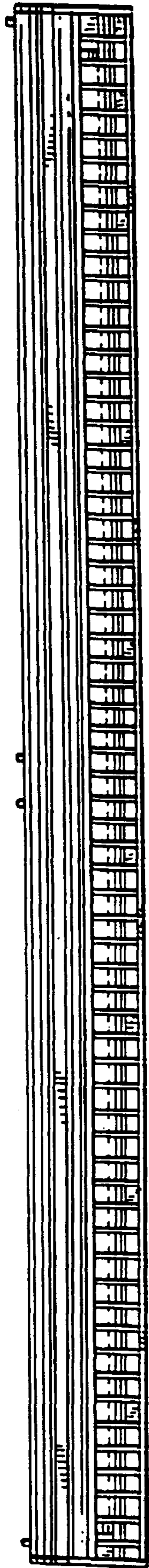
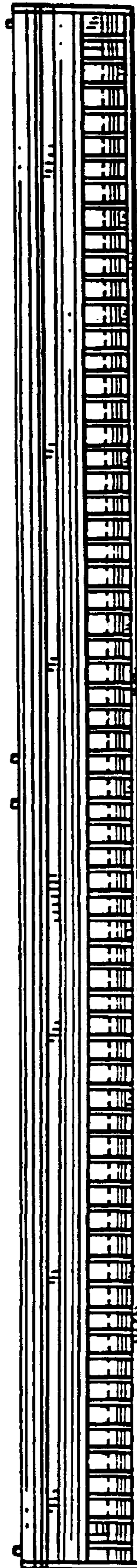


FIG. 6



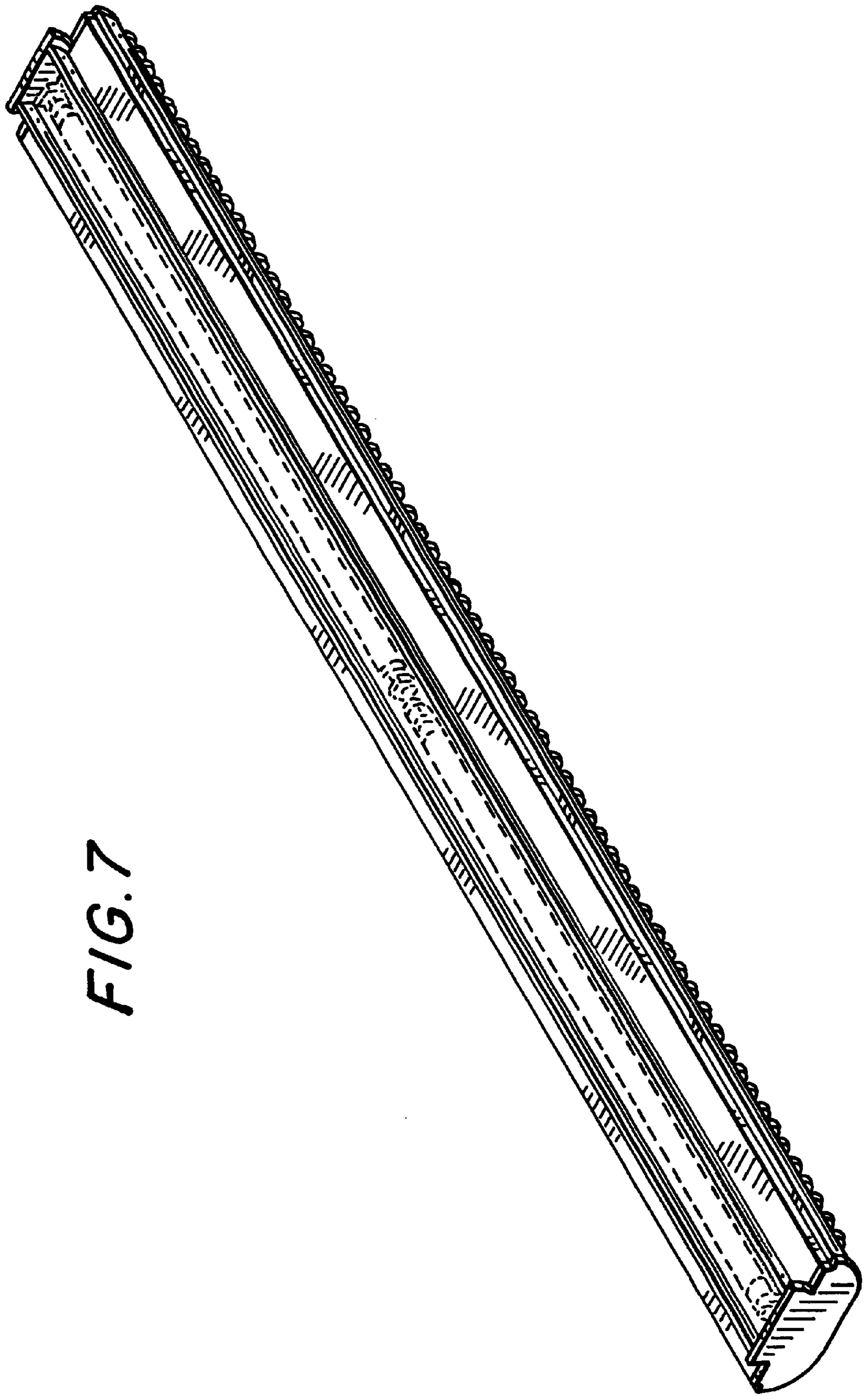


FIG. 7