



US00D452578B1

(12) **United States Design Patent**  
**Yuen**

(10) **Patent No.:** **US D452,578 S**

(45) **Date of Patent:** **\*\* Dec. 25, 2001**

(54) **FLUORESCENT NIGHT LIGHT**

D. 380,564 \* 7/1997 Yuen ..... D26/26

(76) **Inventor:** **Se Kit Yuen**, 6/F., Yau Lee Centre, 45  
Hoi Yuen Roa, Kwun Tong, Kowloon  
(HK)

\* cited by examiner

*Primary Examiner*—Susan J. Lucas

(\*\*) **Term:** **14 Years**

(74) *Attorney, Agent, or Firm*—Raymond Y. Chan; David  
and Raymond Patent Group

(21) **Appl. No.:** **29/140,649**

(57) **CLAIM**

(22) **Filed:** **Apr. 23, 2001**

The ornamental design for a fluorescent night light, as  
shown.

(51) **LOC (7) Cl.** ..... **26-05**

**DESCRIPTION**

(52) **U.S. Cl.** ..... **D26/26; D26/76**

(58) **Field of Search** ..... D26/75-79, 3,  
D26/26; 362/217, 218, 219, 220, 221, 222,  
223

FIG. 1 is a perspective view showing my new design.

FIG. 2 is a front view thereof.

FIG. 3 is a rear view thereof.

FIG. 4 is a right end view thereof.

FIG. 5 is a left end view thereof.

FIG. 6 is a top view thereof; and,

FIG. 7 is a bottom view thereof.

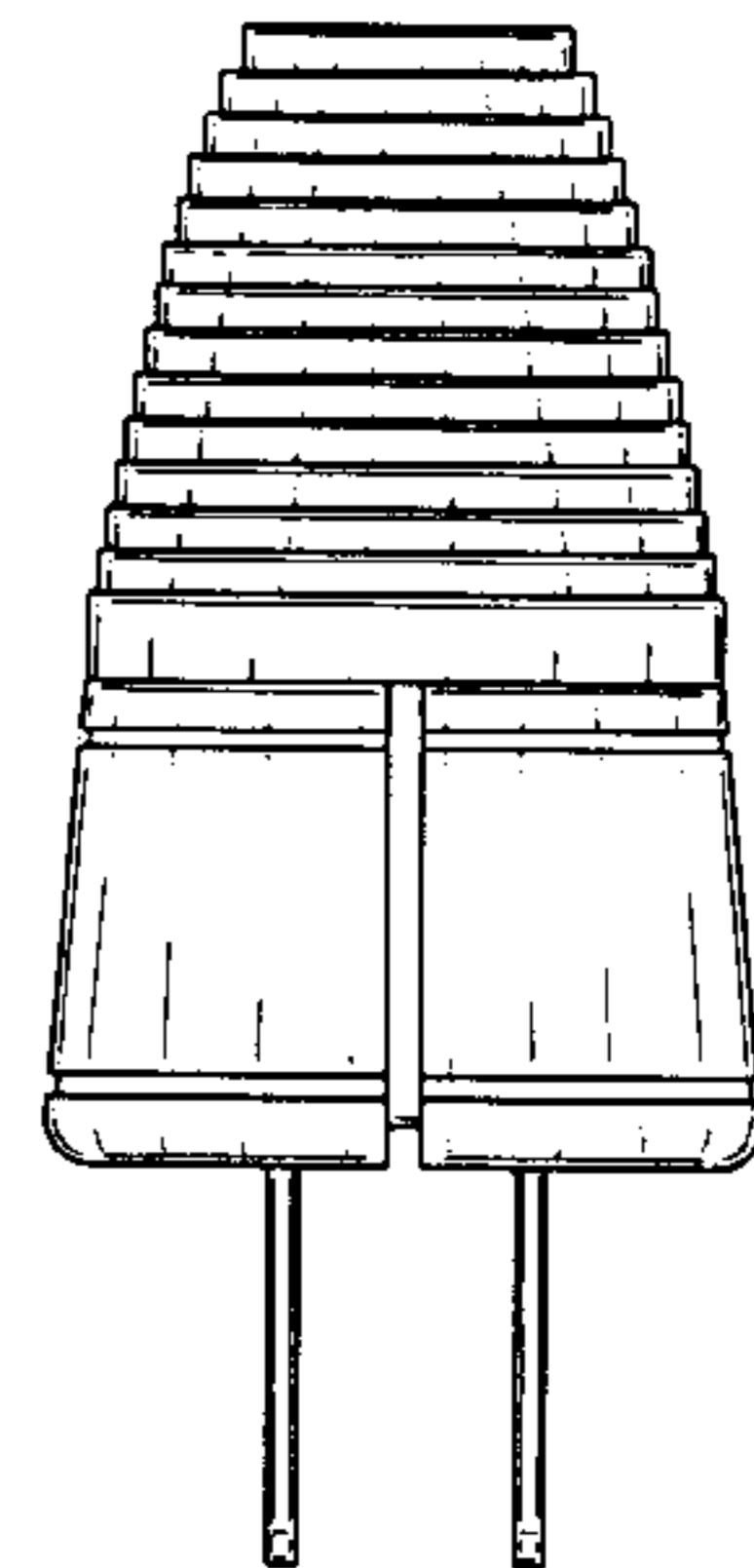
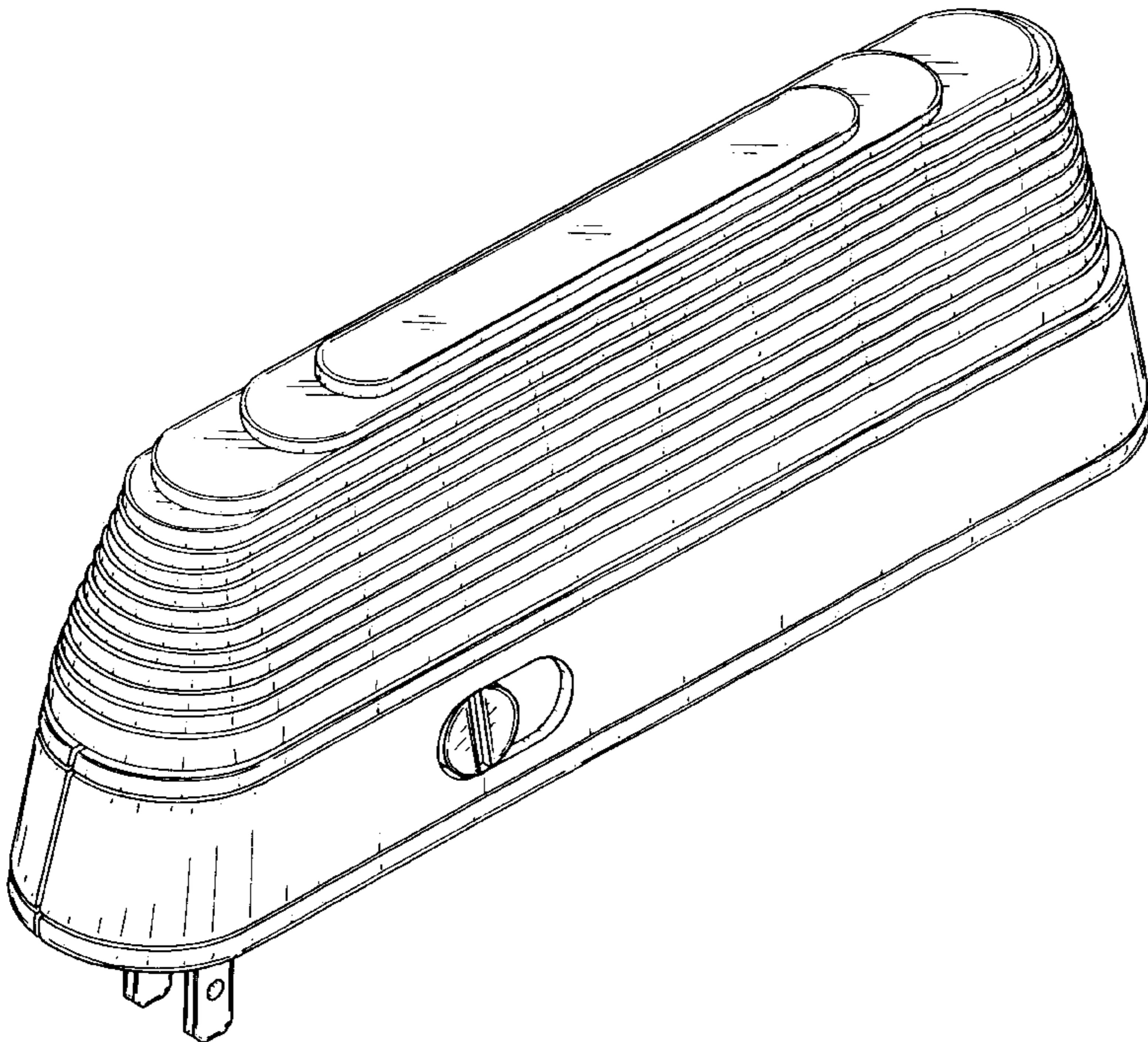
(56) **References Cited**

**U.S. PATENT DOCUMENTS**

D. 377,536 \* 1/1997 Yuen ..... D26/26

D. 379,539 \* 5/1997 Yuen ..... D26/26

**1 Claim, 7 Drawing Sheets**



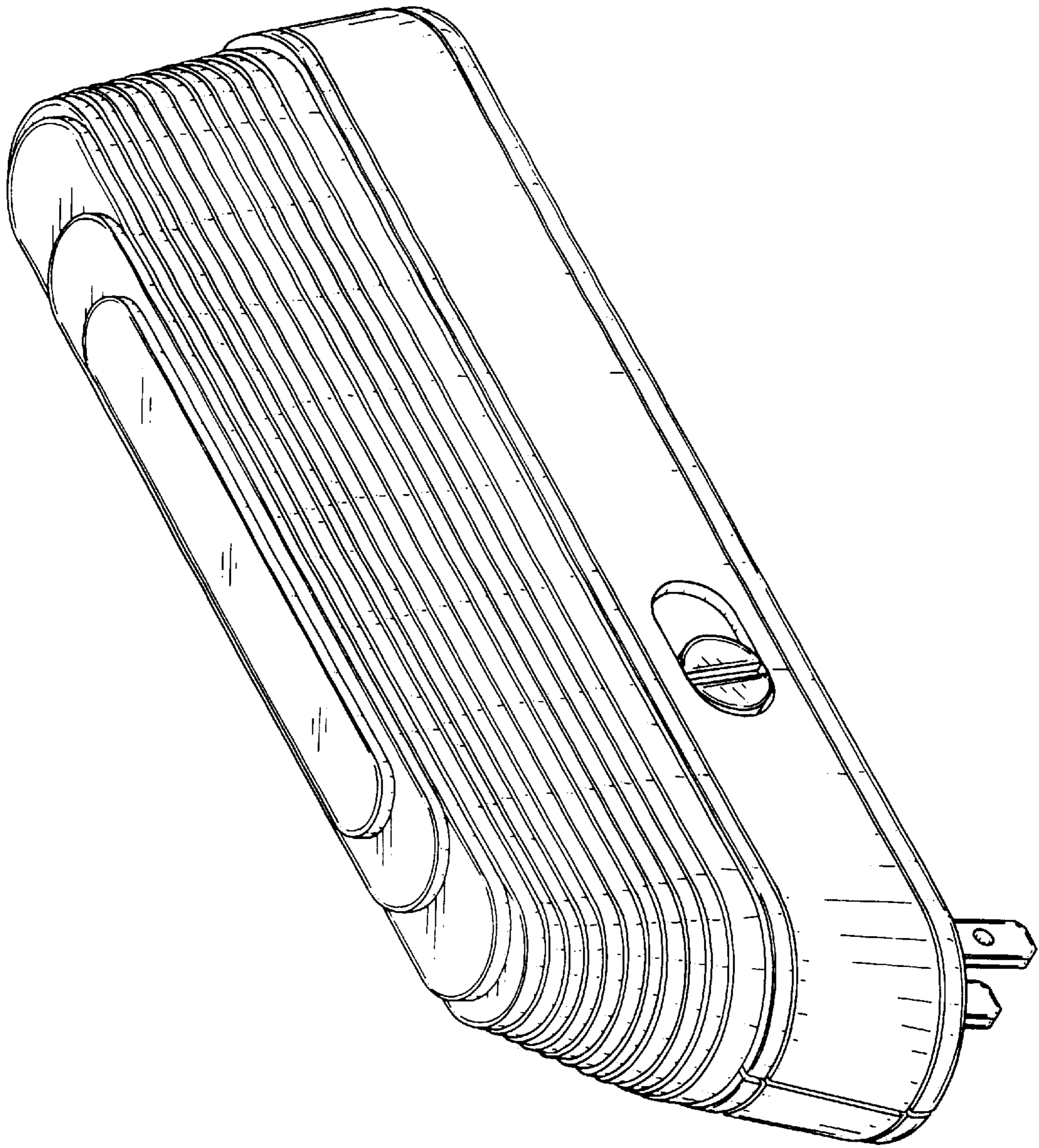


FIG.1

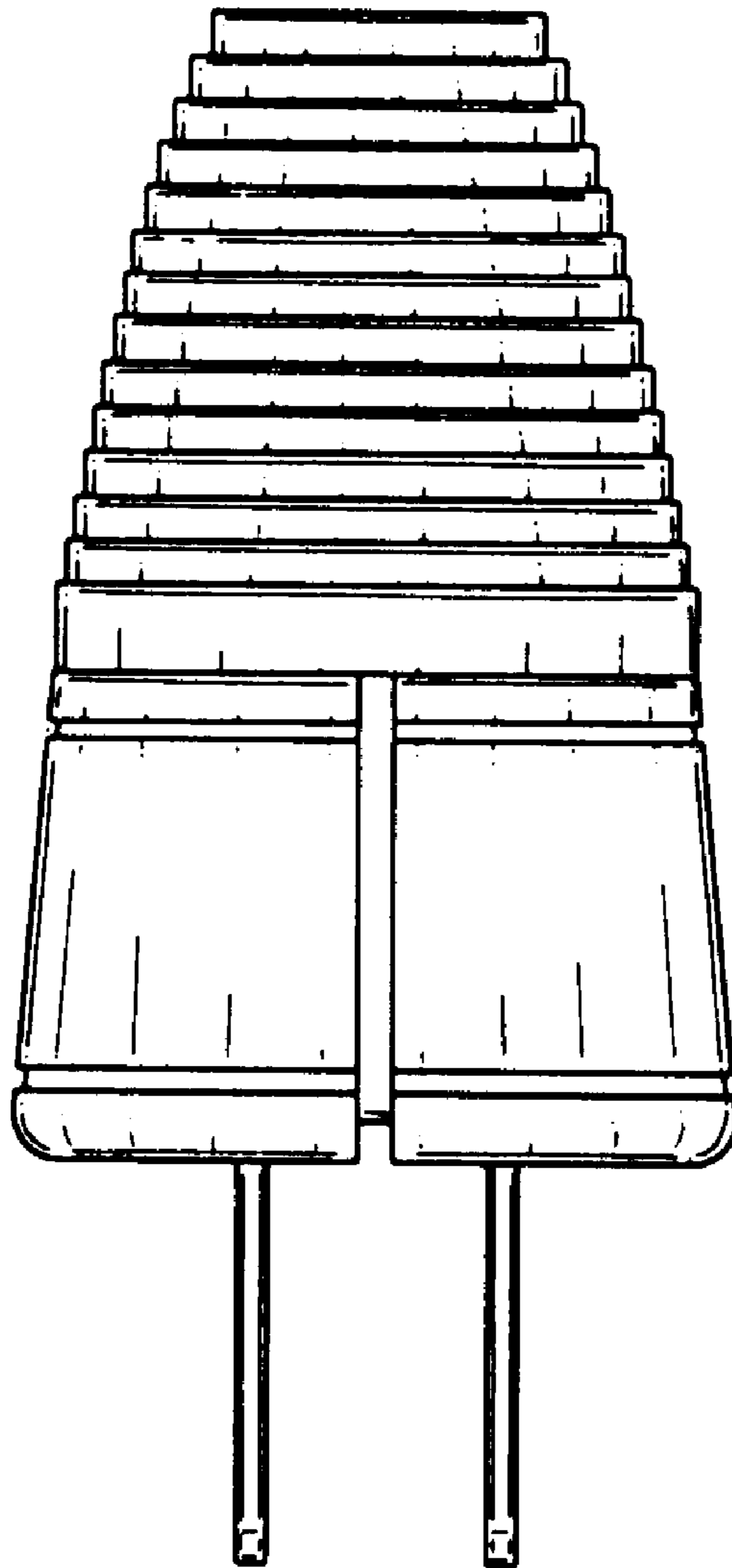


FIG.2

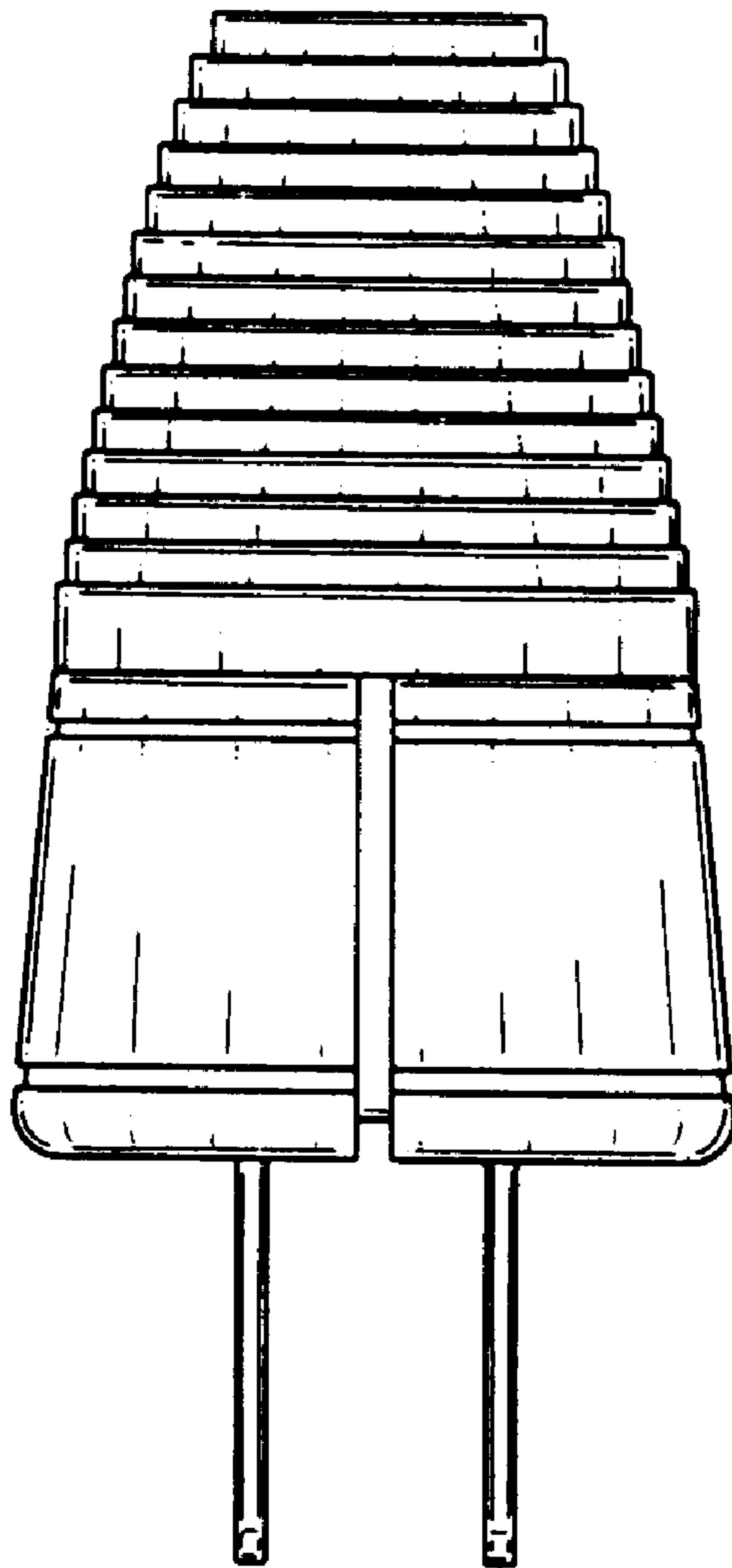


FIG.3

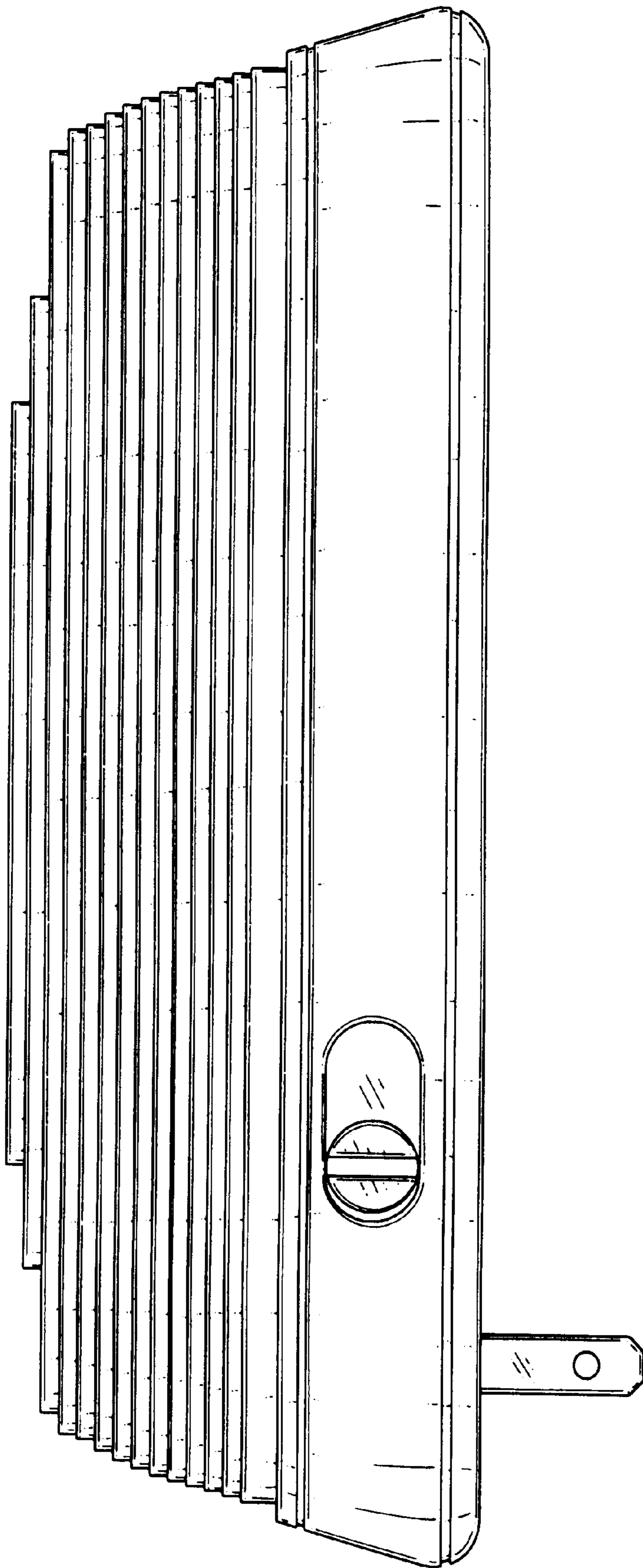


FIG.4

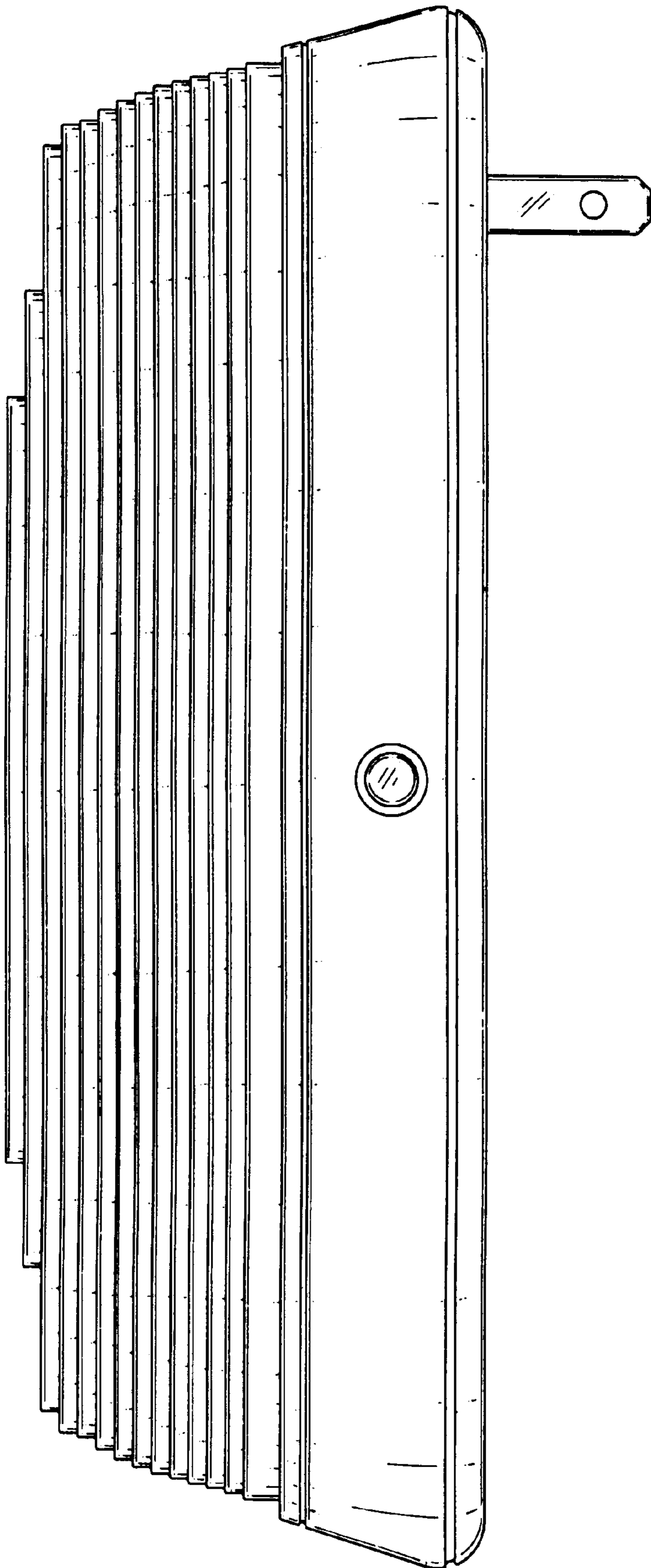


FIG.5

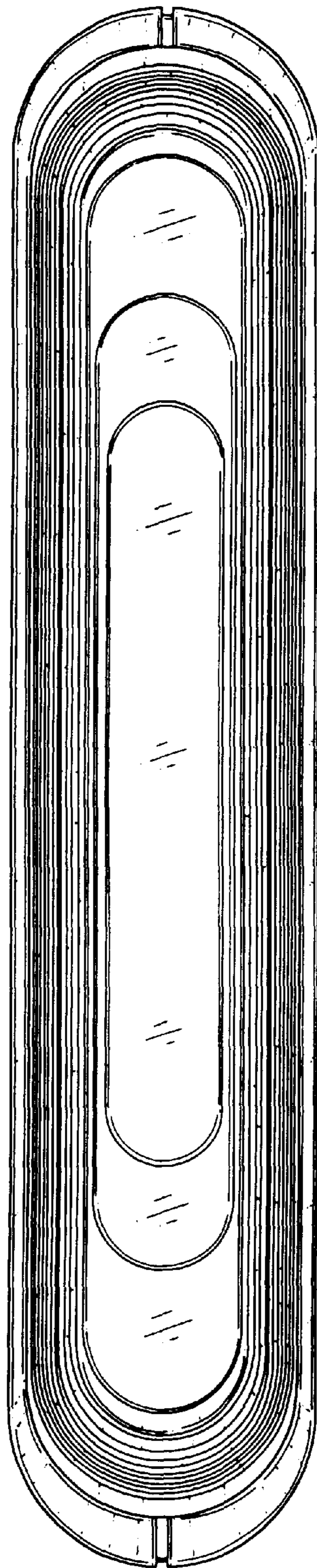


FIG.6

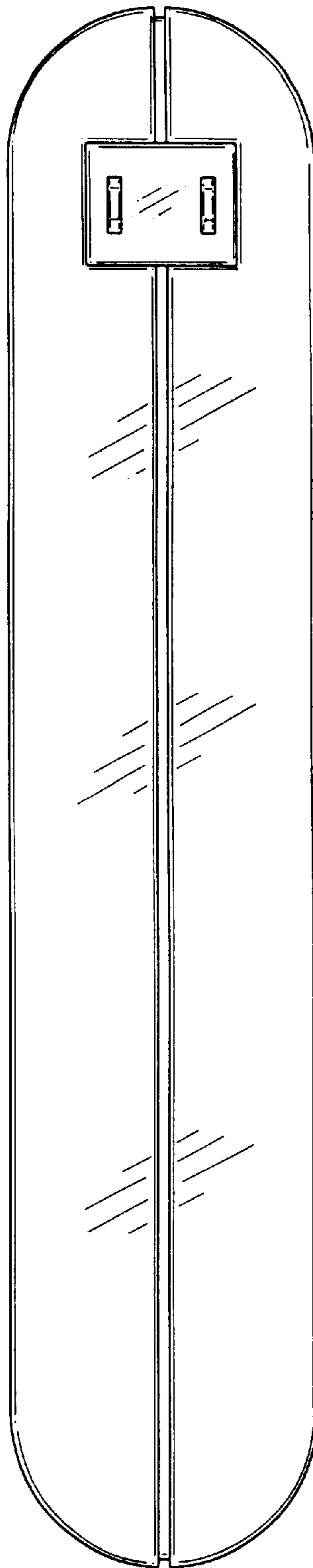


FIG.7