



US00D452574B1

(12) **United States Design Patent**  
**Edger**

(10) **Patent No.:** **US D452,574 S**

(45) **Date of Patent:** **\*\* Dec. 25, 2001**

(54) **HEAD FRAME EXTRUSION**

(75) **Inventor:** **Ronald Fredrick Edger, Bolton (CA)**

(73) **Assignee:** **Royal Group Technologies Limited,  
Woodbridge (CA)**

(\*\*) **Term:** **14 Years**

(21) **Appl. No.:** **29/141,022**

(22) **Filed:** **Apr. 30, 2001**

(51) **LOC (7) Cl.** ..... **25-01**

(52) **U.S. Cl.** ..... **D25/124**

(58) **Field of Search** ..... D25/124, 119,  
D25/52, 60; 52/730.3, 656.6, 204.5, 204.56,  
204.51, 730, 205.1, 202; 49/501, 504, DIG. 2,  
404, 413, 419, 407, 408

(56) **References Cited**

**U.S. PATENT DOCUMENTS**

D. 402,051 \* 12/1998 Leonelli ..... D25/124

\* cited by examiner

*Primary Examiner*—Doris Clark

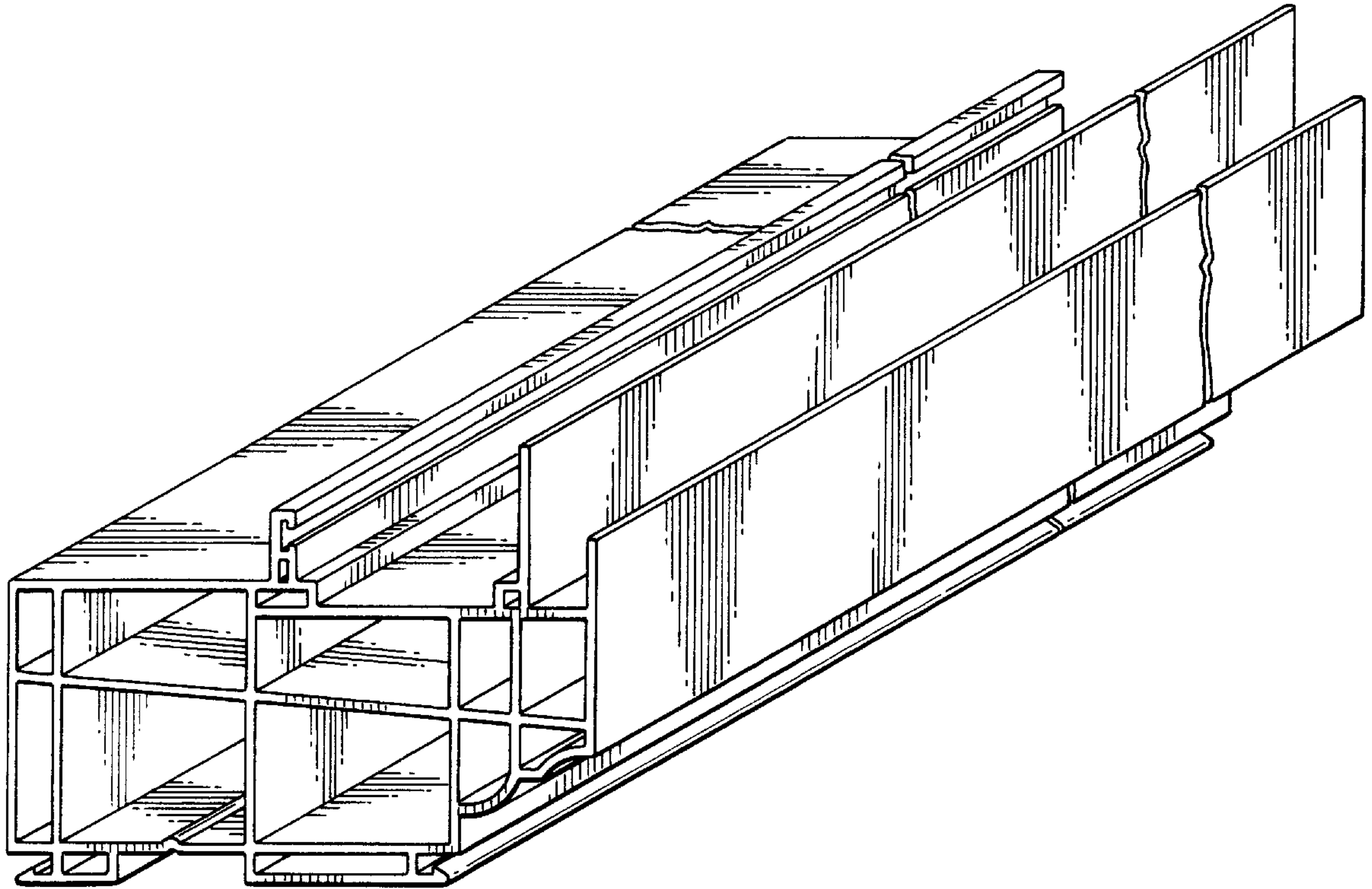
(57) **CLAIM**

An ornamental design for a head frame extrusion, as shown and described.

**DESCRIPTION**

FIG. 1 is a perspective of the head frame extrusion showing my new design; and, FIG. 2 is an end elevational view of the head frame extrusion of FIG. 1.

**1 Claim, 1 Drawing Sheet**



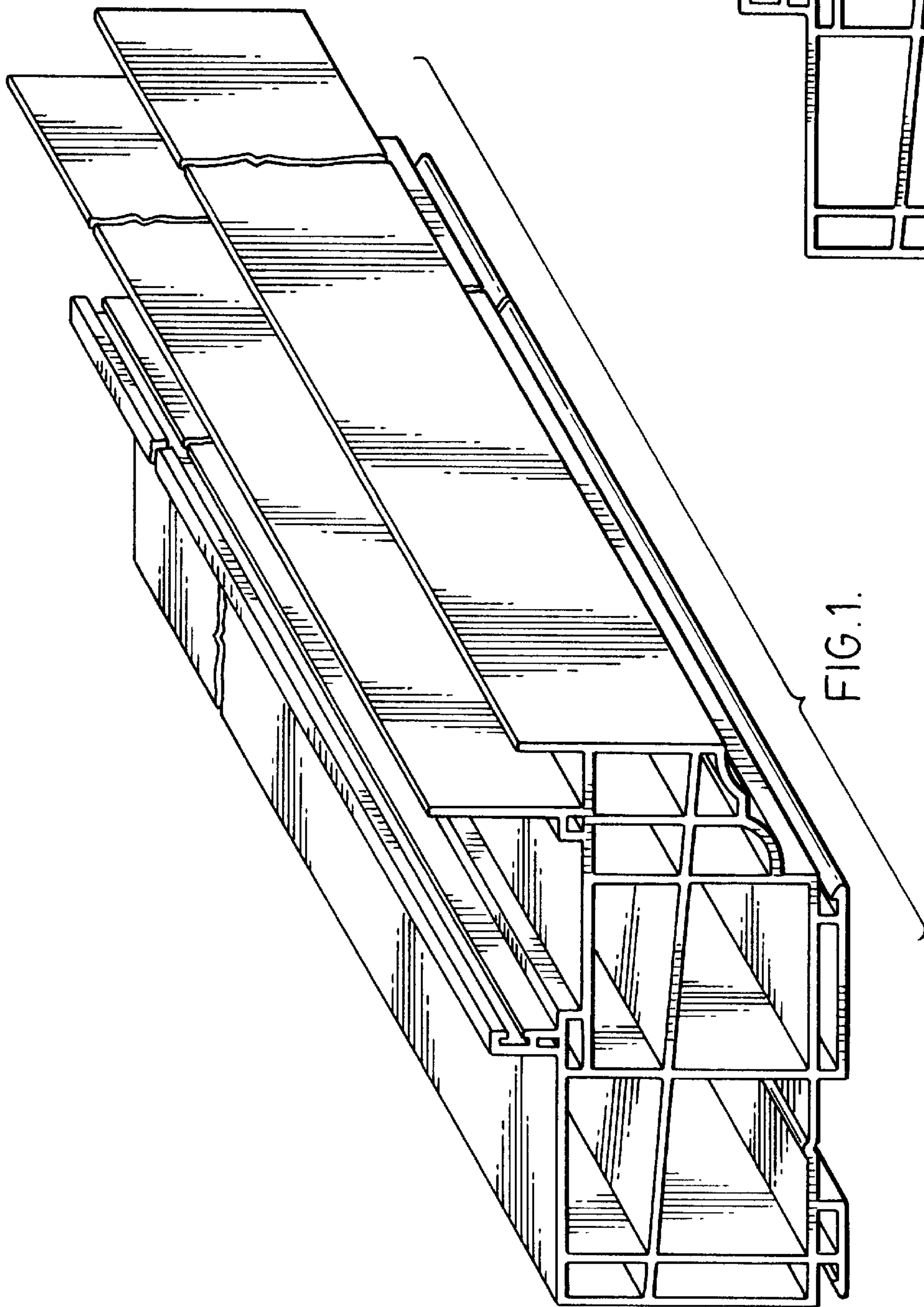


FIG. 1.

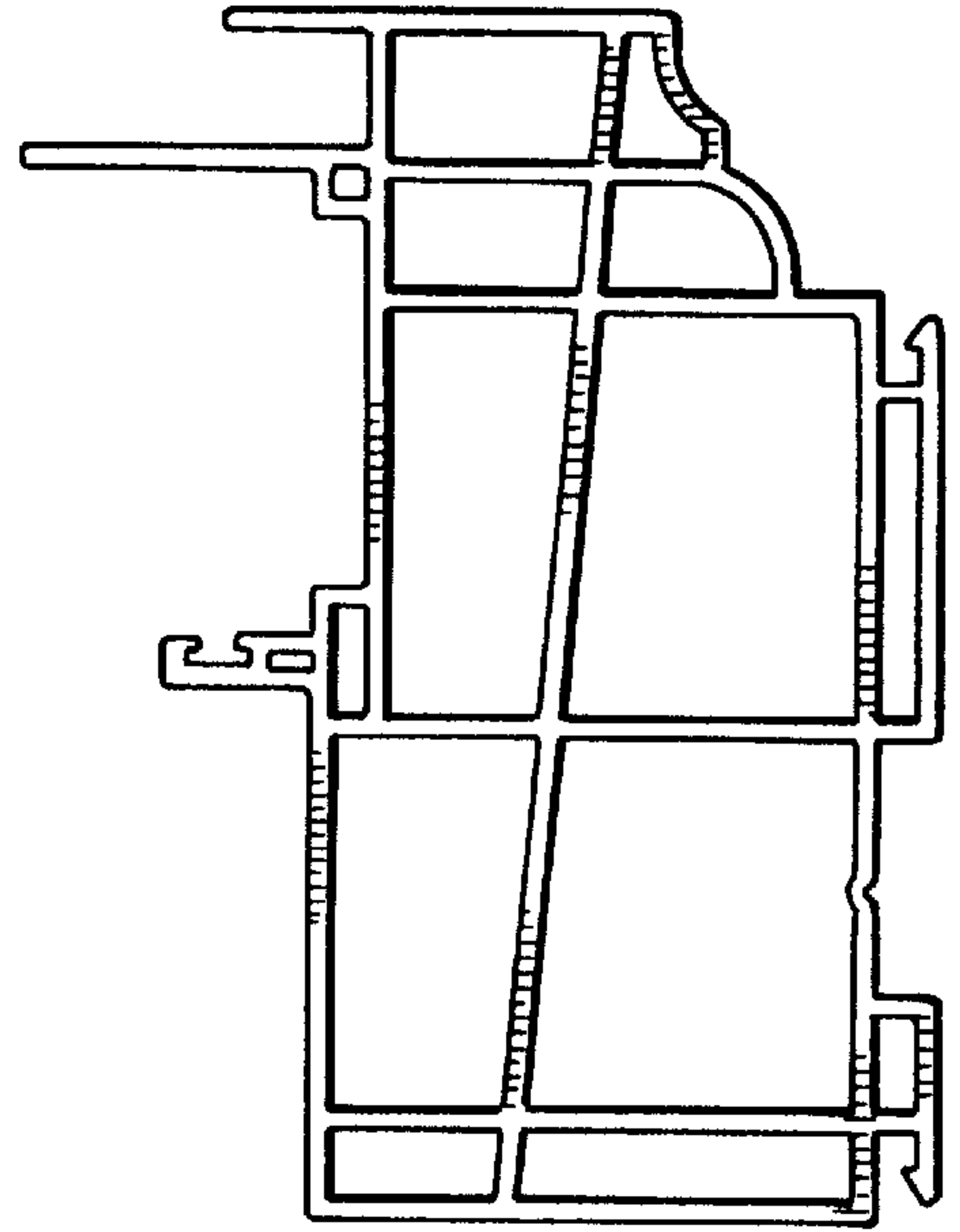


FIG. 2.