



US00D452567B1

(12) **United States Design Patent**
Huffman

(10) **Patent No.:** **US D452,567 S**

(45) **Date of Patent:** **** Dec. 25, 2001**

(54) **FULL ARCH DENTAL MODEL BASE
HAVING A SINGLE ROW OF APERTURES**

(76) **Inventor:** **Ronald E. Huffman**, 725 Country
Wood Way, Sapulpa, OK (US) 74066

(**) **Term:** **14 Years**

(21) **Appl. No.:** **29/136,285**

(22) **Filed:** **Jan. 26, 2001**

(51) **LOC (7) Cl.** **24-01**

(52) **U.S. Cl.** **D24/176**

(58) **Field of Search** D24/176, 181;
249/124; 264/334; 433/6, 54, 60, 61, 64,
74, 213

(56) **References Cited**

U.S. PATENT DOCUMENTS

- Re. 33,099 10/1989 Shoher et al. .
- Re. 33,271 7/1990 Shoher et al. .
- D. 283,541 4/1986 Huffman .
- D. 283,542 4/1986 Huffman .
- D. 283,639 4/1986 Huffman .
- D. 283,730 5/1986 Huffman .
- D. 286,179 10/1986 Huffman .
- D. 286,436 10/1986 Huffman .
- D. 289,924 5/1987 Huffman .
- D. 302,456 7/1989 Huffman .
- D. 302,587 8/1989 Huffman .
- D. 302,724 * 8/1989 Huffman D24/176
- D. 302,725 8/1989 Huffman .
- D. 305,361 1/1990 Huffman .
- D. 305,362 1/1990 Huffman .
- D. 306,206 2/1990 Huffman .
- D. 429,815 8/2000 Huffman .
- D. 430,672 9/2000 Huffman .
- 921,791 5/1909 Benson .
- 967,086 8/1910 Tuttle .
- 1,013,028 12/1911 Lee .
- 1,745,570 2/1930 Dimelow .
- 1,772,027 8/1930 Baumgarten .
- 1,780,117 10/1930 Craigo .
- 2,031,996 2/1936 Zelesnick .

- 2,398,671 4/1946 Saffir .
- 2,585,857 2/1952 Schwartz .
- 2,842,845 7/1958 Carlson .
- 3,453,736 7/1969 Waltke .
- 3,478,428 11/1969 Stengel .
- 3,518,761 7/1970 Susman et al. .
- 3,581,398 6/1971 Thomas .
- 3,934,348 1/1976 Janjic .
- 3,937,773 2/1976 Huffman .
- 3,969,820 7/1976 Kulig et al. .
- 4,021,916 5/1977 Spalten .

(List continued on next page.)

FOREIGN PATENT DOCUMENTS

- 3 436 094 A1 10/1984 (DE) .
- 3 505 680 A1 7/1985 (DE) .
- 3 521 137 A1 12/1986 (DE) .
- 3 825 014 A1 1/1990 (DE) .
- 0 210 484 A2 2/1985 (EP) .
- 0 151 086 A2 8/1985 (EP) .
- 0 277 026 A2 8/1988 (EP) .
- 0 291 821 A1 11/1988 (EP) .
- 0 528 335 A1 2/1993 (EP) .
- 2 750 851 A1 1/1998 (FR) .
- 866118 4/1961 (GB) .
- 886118 1/1962 (GB) .
- WO 88/10101 12/1988 (WO) .

Primary Examiner—Antoine Duval Davis

(74) *Attorney, Agent, or Firm*—Merchant & Gould P.C.

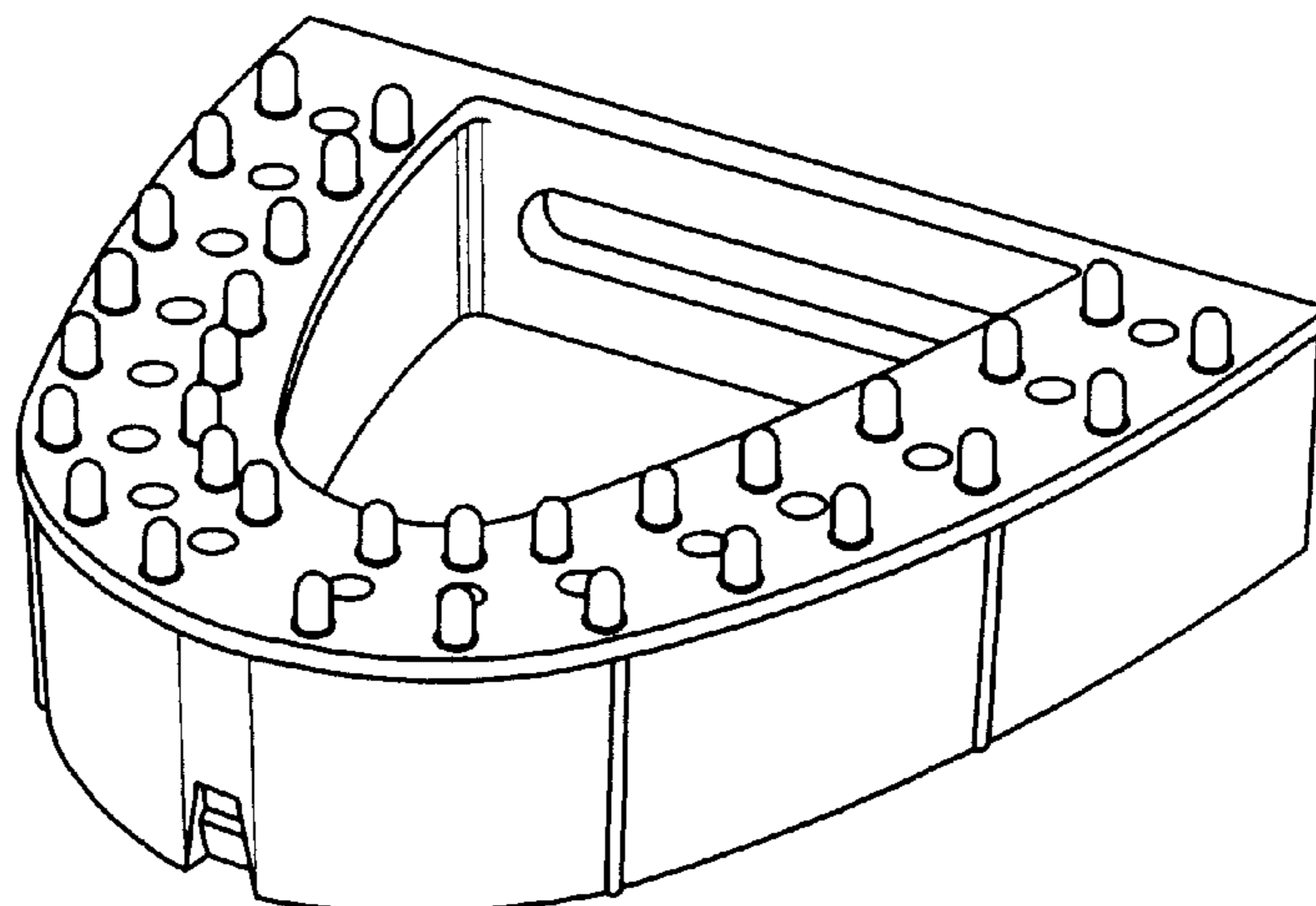
(57) **CLAIM**

The ornamental design for full arch dental model base having a single row of apertures, as shown and described.

DESCRIPTION

FIG. 1 is a perspective view of the present invention.
 FIG. 2 is a top plan view thereof.
 FIG. 3 is a bottom plan view thereof.
 FIG. 4 is a side elevation view thereof.
 FIG. 5 is a front elevation view thereof; and,
 FIG. 6 is a rear elevation view thereof.

1 Claim, 2 Drawing Sheets



US D452,567 S

Page 2

U.S. PATENT DOCUMENTS

4,022,419	5/1977	Haker .	4,708,835	11/1987	Kiefer .
4,116,416	9/1978	Segura .	4,721,464	1/1988	Roden et al. .
4,122,606	10/1978	Roman .	4,734,033	3/1988	Huffman .
4,127,939	12/1978	Samuel et al. .	4,767,330	8/1988	Burger .
4,203,219	5/1980	Wiener .	4,767,331	8/1988	Hoe .
4,240,605	12/1980	Waltke .	4,834,651	5/1989	Fenick .
4,242,812	1/1981	Randoll et al. .	4,842,242	6/1989	Huffman .
4,265,619	5/1981	Lucki et al. .	4,898,359	2/1990	Gopon .
4,283,173	8/1981	Browne et al. .	4,940,409	7/1990	Nordin .
4,301,357	11/1981	Huffman .	4,980,124	12/1990	Dimmer .
4,359,464	11/1982	Weinstock .	5,028,235	7/1991	Smith .
4,371,339	2/1983	Zeiser .	5,049,075	9/1991	Barrut .
4,378,929	4/1983	Huffman .	5,076,789	12/1991	Tanaka .
4,382,787	5/1983	Huffman .	5,098,290	3/1992	Honstein et al. .
4,398,884	8/1983	Huffman .	5,197,874	3/1993	Silva et al. .
4,439,151	3/1984	Whelan .	5,207,574	5/1993	Garland .
4,443,192	4/1984	Blitz .	5,352,117	10/1994	Silva .
4,449,930	5/1984	Huffman .	5,393,227	2/1995	Nooning .
4,449,931	5/1984	Saito .	5,466,152	11/1995	Walter .
4,459,110	7/1984	Jackson .	5,470,231	11/1995	Stern .
4,473,353	9/1984	Greggs .	5,501,600	3/1996	Johnson .
4,481,162	11/1984	Huffman .	5,766,007	6/1998	Huffman .
4,494,934	1/1985	Huffman .	5,769,634	6/1998	Choi .
4,521,188	6/1985	Metzler .	5,775,899	7/1998	Huffman .
4,533,323	8/1985	Huffman .	5,788,489	8/1998	Huffman .
4,538,987	9/1985	Weissman .	5,788,490	8/1998	Huffman .
4,548,581	10/1985	Huffman .	5,800,166	9/1998	Huffman .
4,608,016	8/1986	Zeiser .	5,807,099	9/1998	Johnson .
4,645,454	2/1987	Amdur et al. .	5,868,569	2/1999	Huffman .
4,671,770	6/1987	Bell et al. .	6,089,863 *	7/2000	Van Valey 433/34
4,708,648	11/1987	Weissman .			

* cited by examiner

FIG. 1

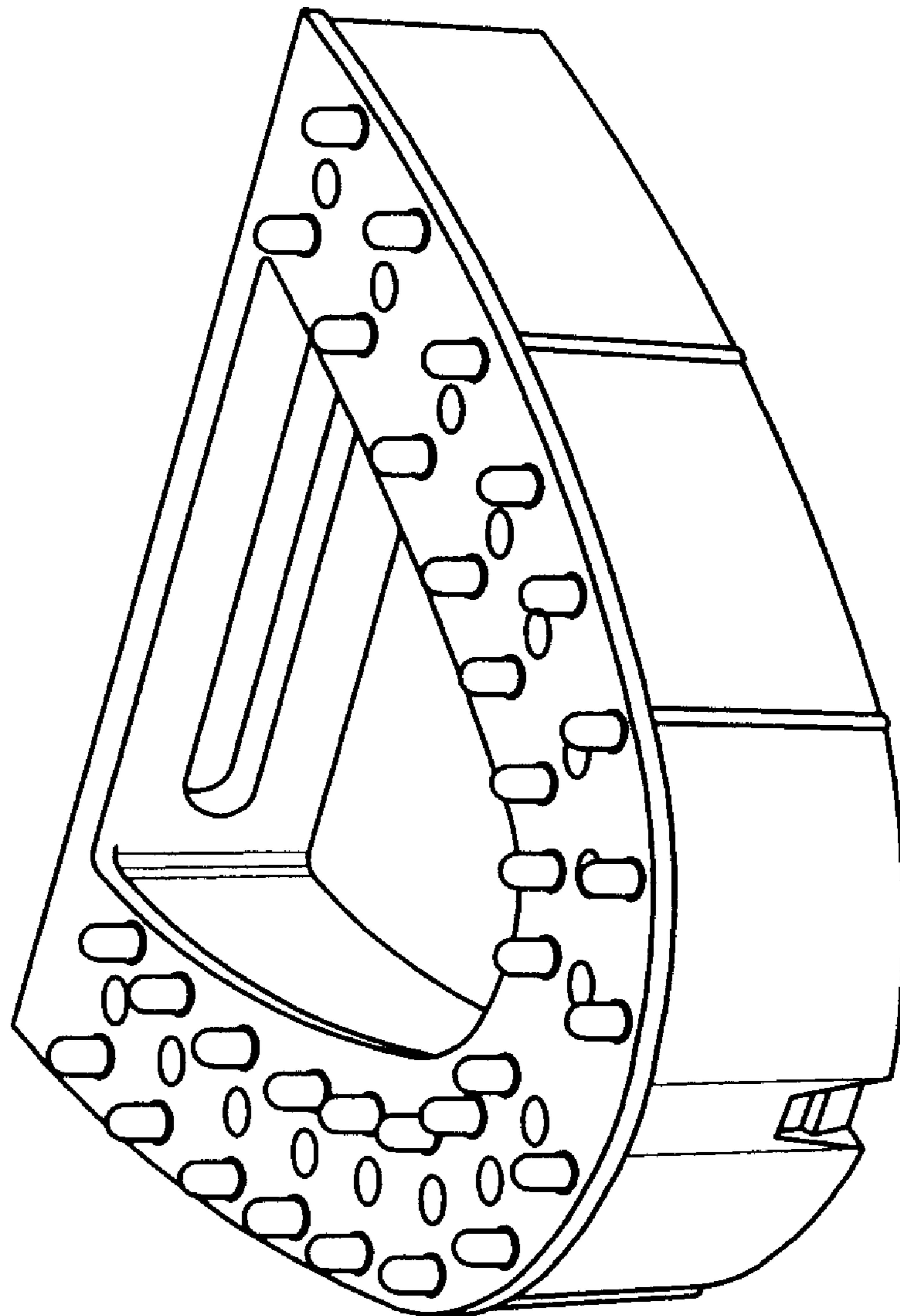


FIG. 2

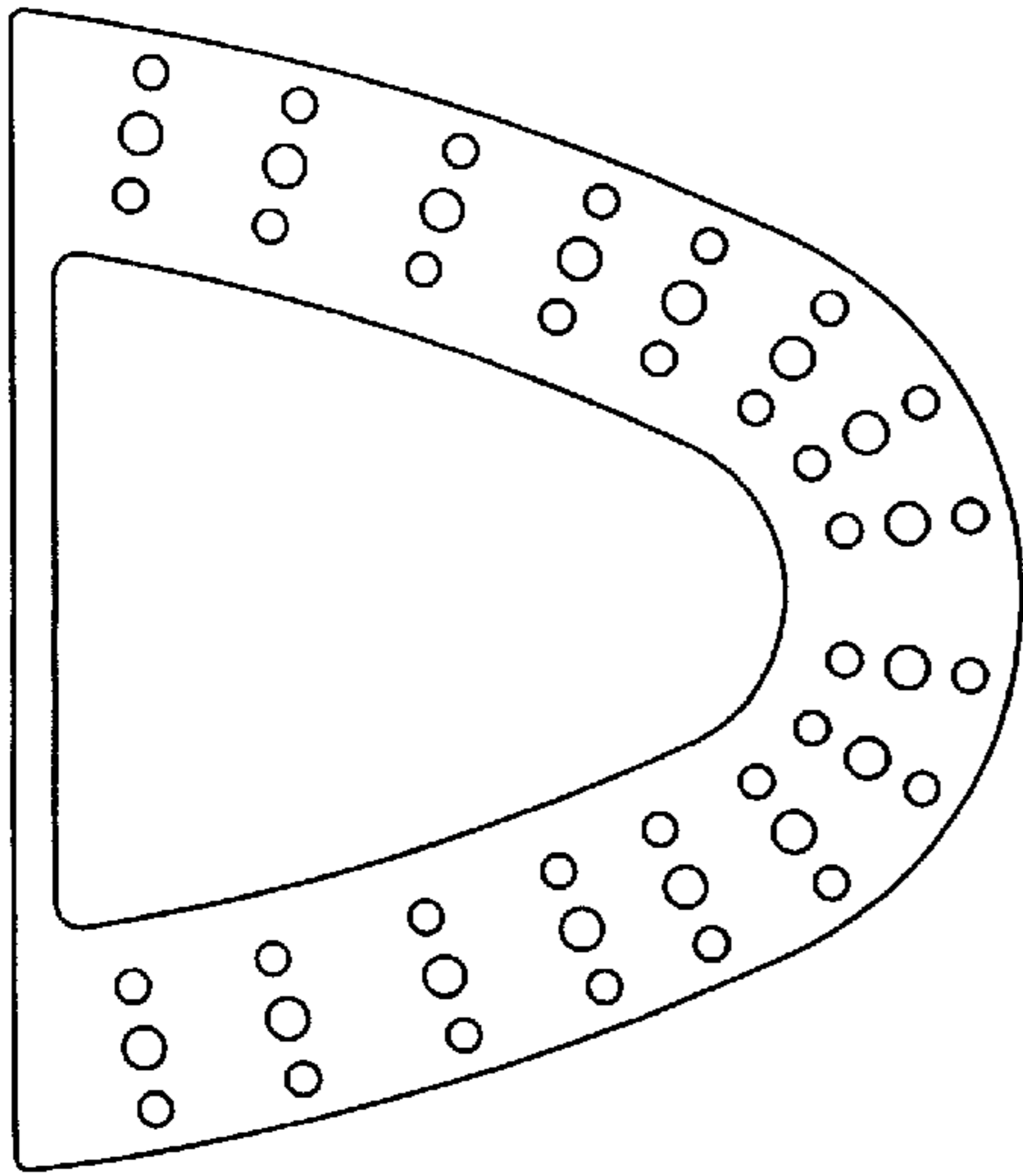


FIG. 3

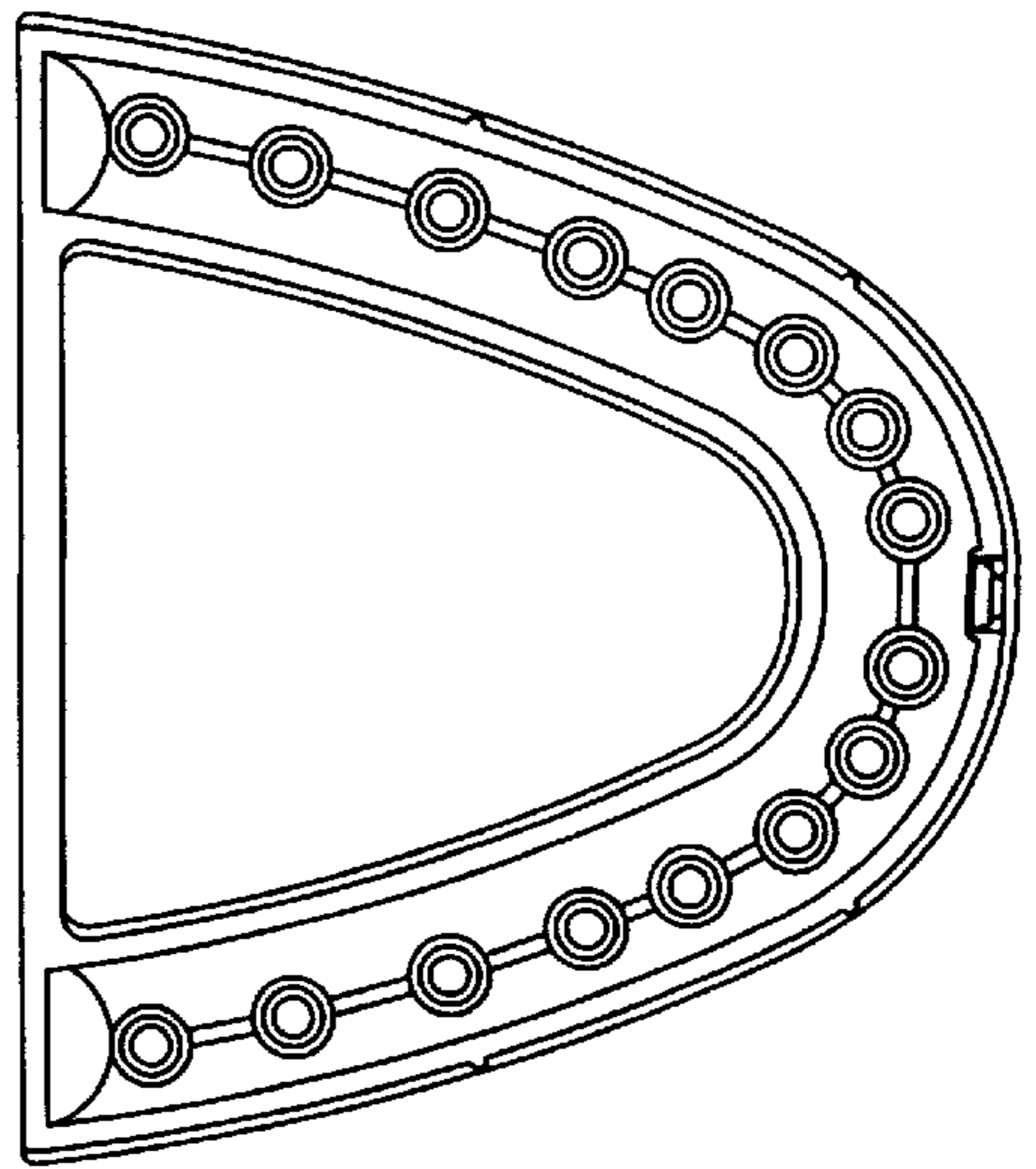


FIG. 4

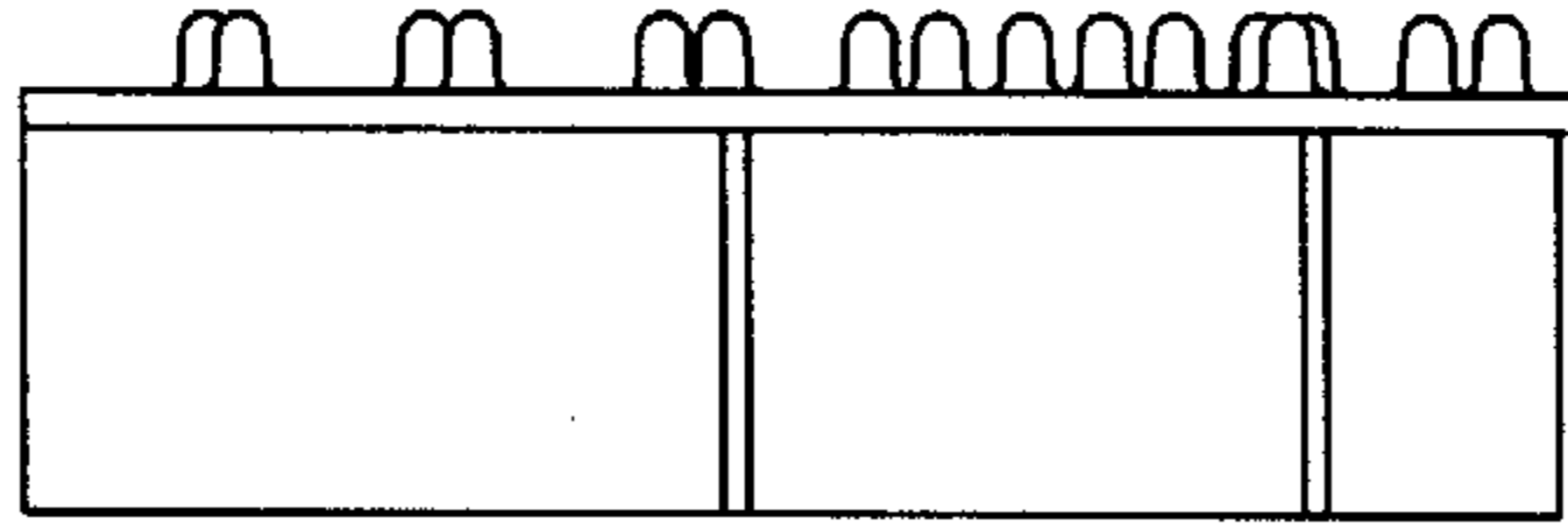


FIG. 5

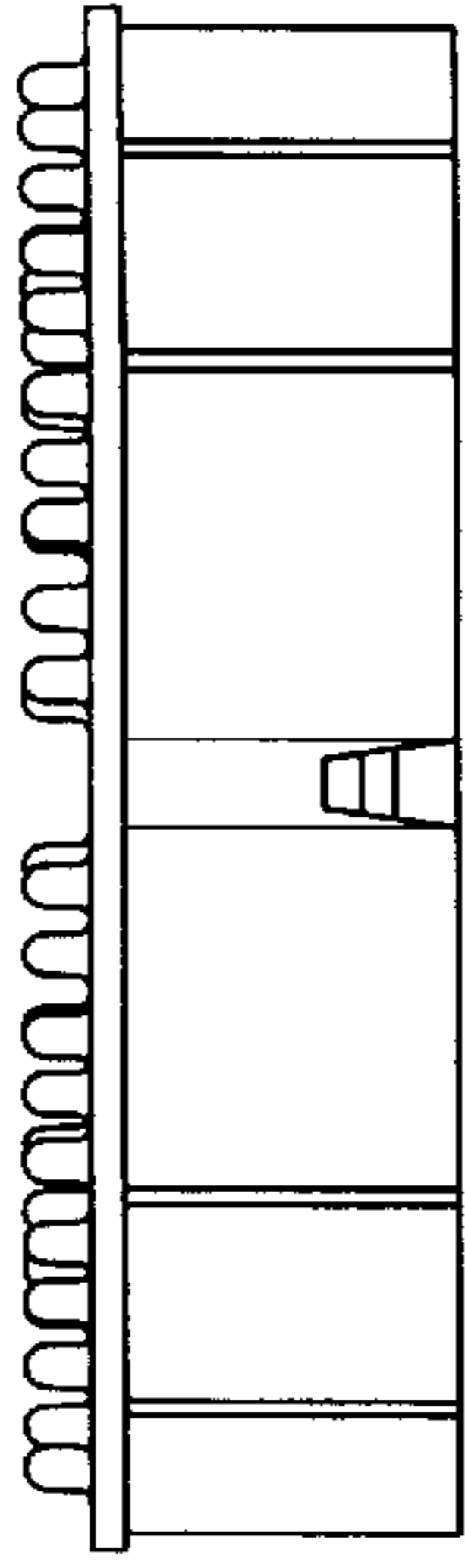


FIG. 6

