



US00D452566B1

(12) **United States Design Patent**
Huffman

(10) **Patent No.:** **US D452,566 S**

(45) **Date of Patent:** **** Dec. 25, 2001**

(54) **FULL ARCH DENTAL MODEL BASE
HAVING A DOUBLE ROW OF APERTURES**

(76) Inventor: **Ronald E. Huffman**, 725 Country
Wood Way, Sapulpa, OK (US) 74066

(**) Term: **14 Years**

(21) Appl. No.: **29/136,226**

(22) Filed: **Jan. 26, 2001**

(51) **LOC (7) Cl.** **24-01**

(52) **U.S. Cl.** **D24/176**

(58) **Field of Search** D24/181, 176;
249/124; 264/334; 433/6, 54, 60, 61, 64,
74, 213

(56) **References Cited**

U.S. PATENT DOCUMENTS

Re. 33,099	10/1989	Shoher et al. .	
Re. 33,271	7/1990	Shoher et al. .	
D. 283,541	4/1986	Huffman .	
D. 283,542	4/1986	Huffman .	
D. 283,639	4/1986	Huffman .	
D. 283,730	5/1986	Huffman .	
D. 286,179	10/1986	Huffman .	
D. 286,436	10/1986	Huffman .	
D. 289,924	5/1987	Huffman .	
D. 302,456	7/1989	Huffman .	
D. 302,587	8/1989	Huffman .	
D. 302,724	8/1989	Huffman .	
D. 302,725	8/1989	Huffman .	
D. 305,361	1/1990	Huffman .	
D. 305,362	1/1990	Huffman .	
D. 306,206	2/1990	Huffman .	
D. 429,815 *	8/2000	Huffman D24/176
D. 430,672	9/2000	Huffman .	
D. 433,136 *	10/2000	Huffman D24/176
921,791	5/1909	Benson .	
967,086	8/1910	Tuttle .	
1,013,028	12/1911	Lee .	
1,745,570	2/1930	Dimelow .	
1,772,027	8/1930	Baumgarten .	
1,780,117	10/1930	Craigo .	
2,031,996	2/1936	Zelesnick .	

2,398,671	4/1946	Saffir .
2,585,857	2/1952	Schwartz .
2,842,845	7/1958	Carlson .
3,453,736	7/1969	Waltke .
3,478,428	11/1969	Stengel .
3,518,761	7/1970	Susman et al. .
3,581,398	6/1971	Thomas .
3,934,348	1/1976	Janjic .
3,937,773	2/1976	Huffman .
3,969,820	7/1976	Kulig et al. .
4,021,916	5/1977	Spalten .
4,022,419	5/1977	Haker .

(List continued on next page.)

FOREIGN PATENT DOCUMENTS

3 436 094 A1	10/1984	(DE) .
3 505 680 A1	7/1985	(DE) .
3 521 137 A1	12/1986	(DE) .
3 825 014 A1	1/1990	(DE) .
0 210 484 A2	2/1985	(EP) .
0 151 086 A2	8/1985	(EP) .
0 277 026 A2	8/1988	(EP) .
0 291 821 A1	11/1988	(EP) .
0 528 335 A1	2/1993	(EP) .
2 750 851 A1	1/1998	(FR) .
866118	4/1961	(GB) .
886118	1/1962	(GB) .
WO 88/10101	12/1988	(WO) .

Primary Examiner—Antoine Duval Davis
(74) *Attorney, Agent, or Firm*—Merchant & Gould P.C.

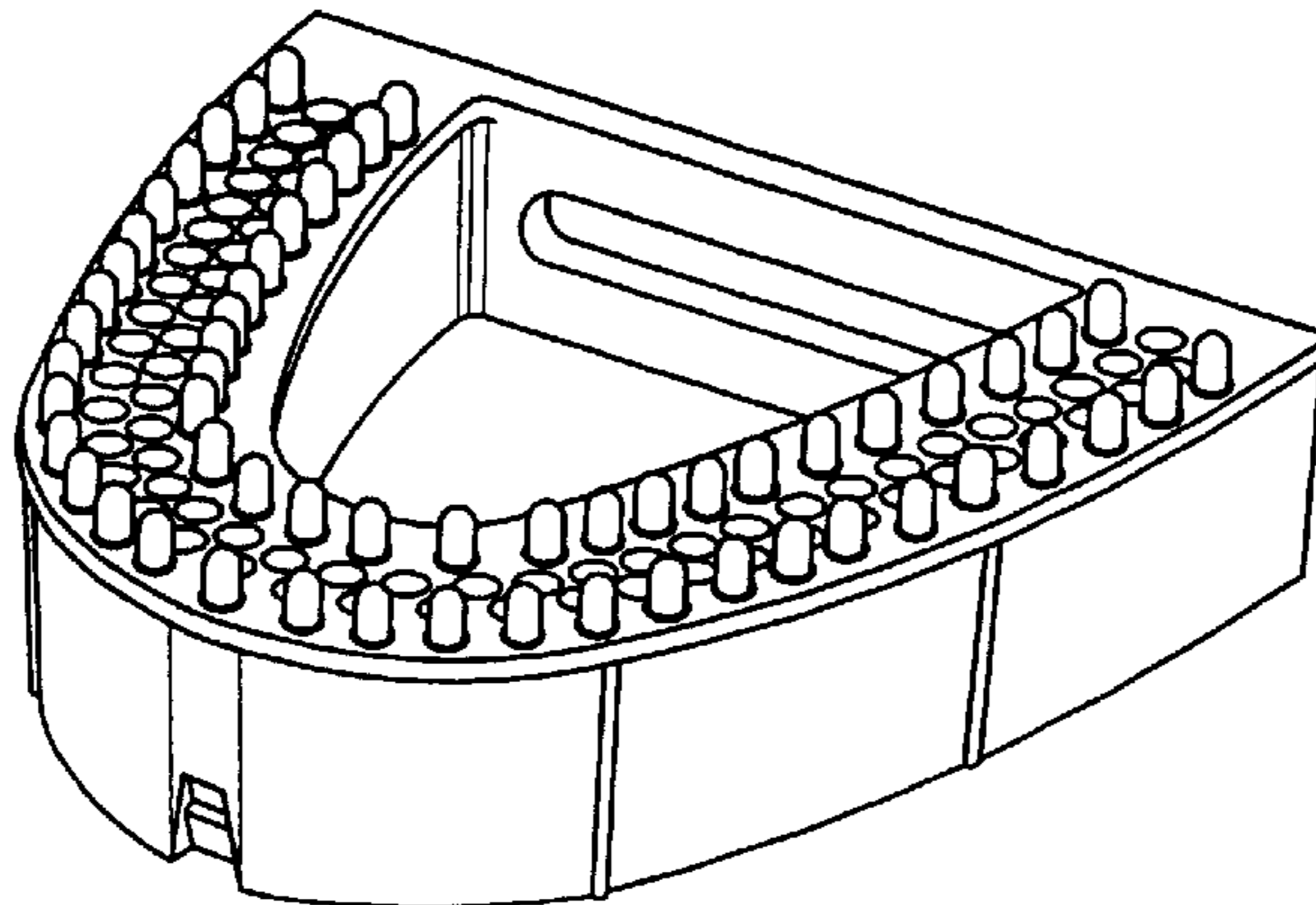
(57) **CLAIM**

The ornamental design for full arch dental model base having a double row of apertures, as shown and described.

DESCRIPTION

FIG. 1 is a perspective view of the present invention.
FIG. 2 is a top plan view thereof.
FIG. 3 is a bottom plan view thereof.
FIG. 4 is a side elevation view thereof.
FIG. 5 is a front elevation view thereof; and,
FIG. 6 is a rear elevation view thereof.

1 Claim, 2 Drawing Sheets



US D452,566 S

Page 2

U.S. PATENT DOCUMENTS

4,116,416	9/1978	Segura .	4,708,835	11/1987	Kiefer .
4,122,606	10/1978	Roman .	4,721,464	1/1988	Roden et al. .
4,127,939	12/1978	Samuel et al. .	4,734,033	3/1988	Huffman .
4,203,219	5/1980	Wiener .	4,767,330	8/1988	Burger .
4,240,605	12/1980	Waltke .	4,767,331	8/1988	Hoe .
4,242,812	1/1981	Randoll et al. .	4,834,651	5/1989	Fenick .
4,265,619	5/1981	Lucki et al. .	4,842,242	6/1989	Huffman .
4,283,173	8/1981	Browne et al. .	4,898,359	2/1990	Gopon .
4,301,357	11/1981	Huffman .	4,940,409	7/1990	Nordin .
4,359,464	11/1982	Weinstock .	4,980,124	12/1990	Dimmer .
4,371,339	2/1983	Zeiser .	5,028,235	7/1991	Smith .
4,378,929	4/1983	Huffman .	5,049,075	9/1991	Barrut .
4,382,787	5/1983	Huffman .	5,076,789	12/1991	Tanaka .
4,398,884	8/1983	Huffman .	5,098,290	3/1992	Honstein et al. .
4,439,151	3/1984	Whelan .	5,197,874	3/1993	Silva et al. .
4,443,192	4/1984	Blitz .	5,207,574	5/1993	Garland .
4,449,930	5/1984	Huffman .	5,352,117	10/1994	Silva .
4,449,931	5/1984	Saito .	5,393,227	2/1995	Nooning .
4,459,110	7/1984	Jackson .	5,466,152	11/1995	Walter .
4,473,353	9/1984	Greggs .	5,470,231	11/1995	Stern .
4,481,162	11/1984	Huffman .	5,501,600	3/1996	Johnson .
4,494,934	1/1985	Huffman .	5,766,007	6/1998	Huffman .
4,521,188	6/1985	Metzler .	5,769,634	6/1998	Choi .
4,533,323	8/1985	Huffman .	5,775,899	7/1998	Huffman .
4,538,987	9/1985	Weissman .	5,788,489	8/1998	Huffman .
4,548,581	10/1985	Huffman .	5,788,490	8/1998	Huffman .
4,608,016	8/1986	Zeiser .	5,800,166	9/1998	Huffman .
4,645,454	2/1987	Amdur et al. .	5,807,099	9/1998	Johnson .
4,671,770	6/1987	Bell et al. .	5,868,569	2/1999	Huffman .
4,708,648	11/1987	Weissman .			

* cited by examiner

FIG. 1

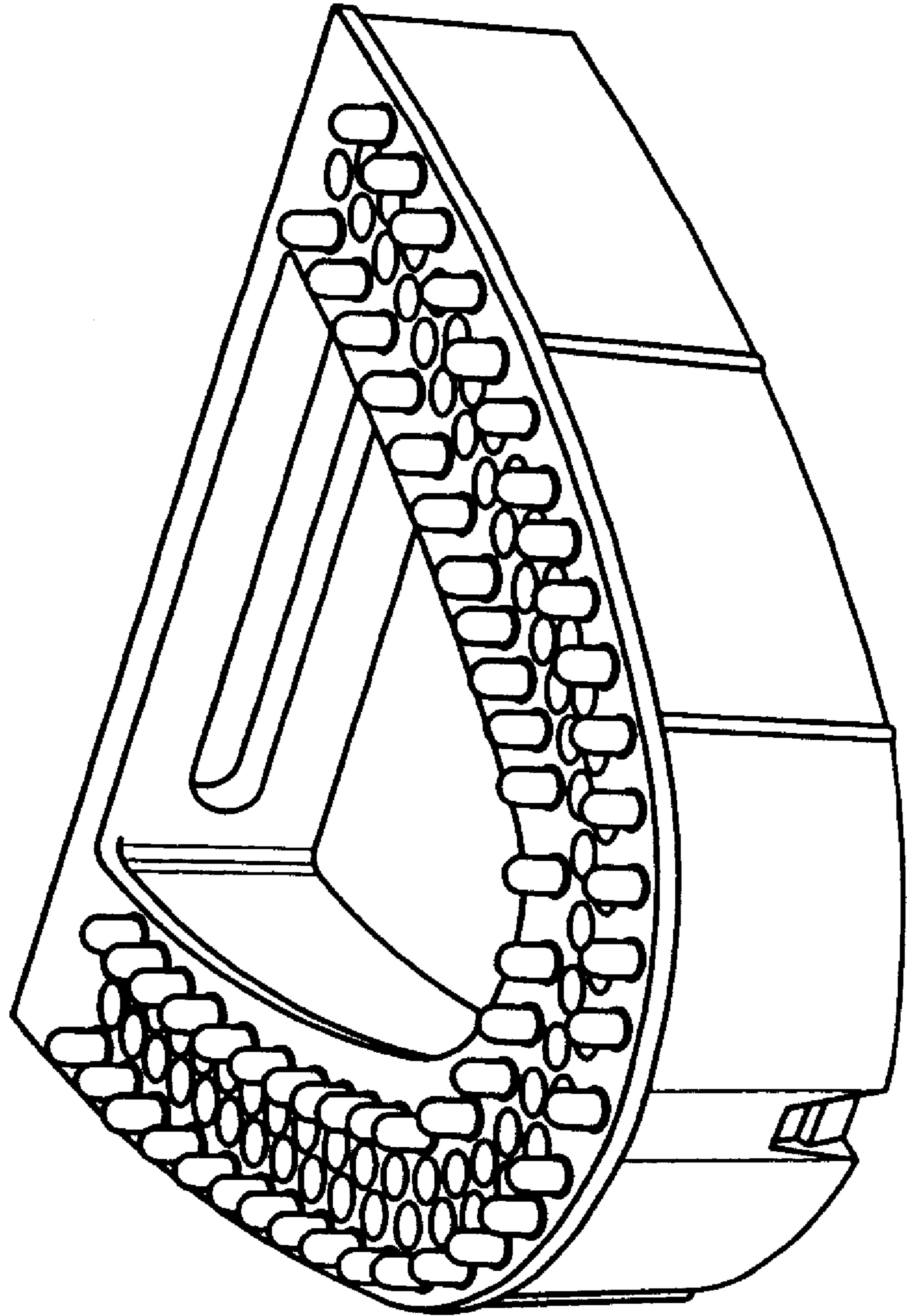


FIG. 2

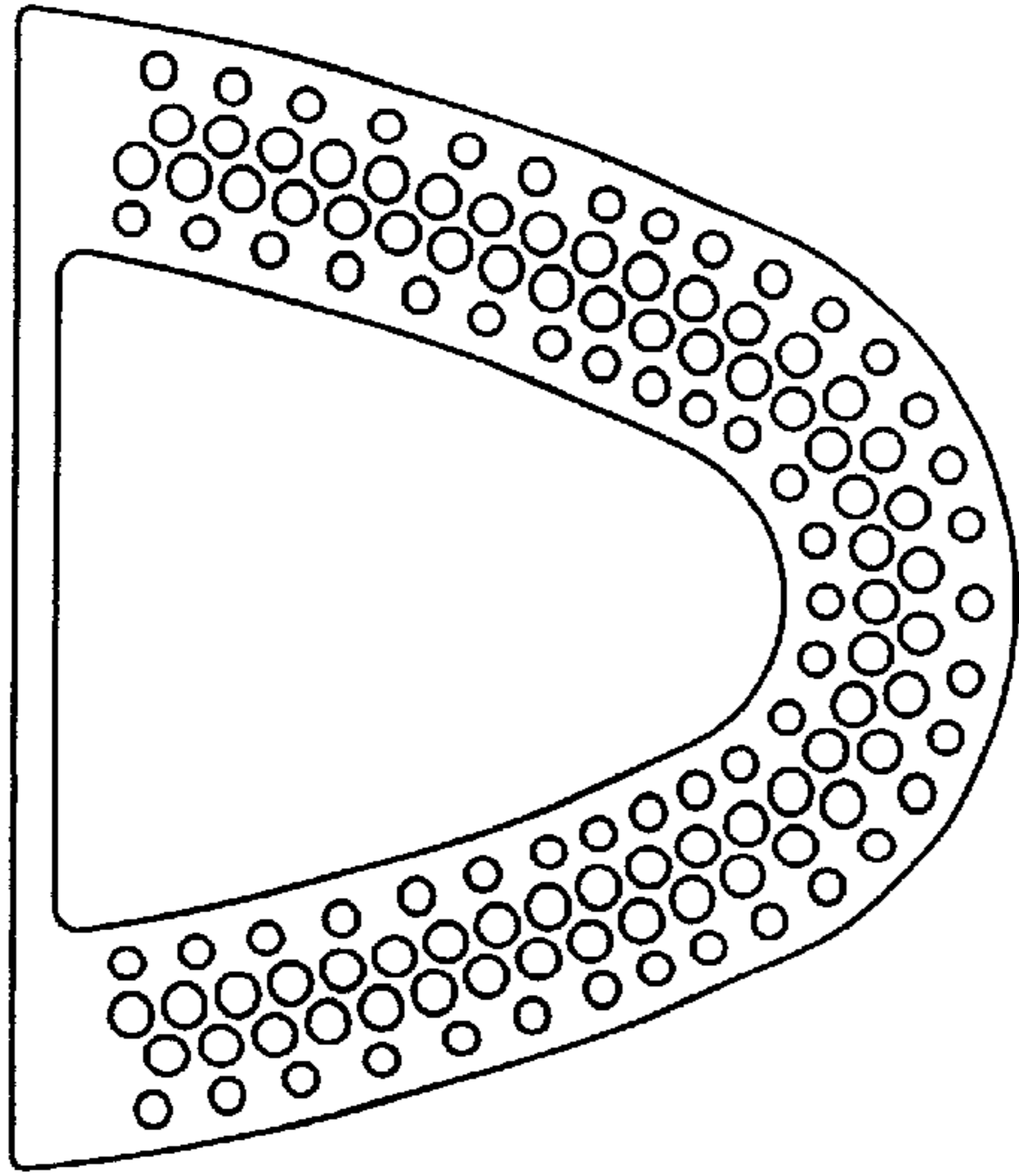


FIG. 3

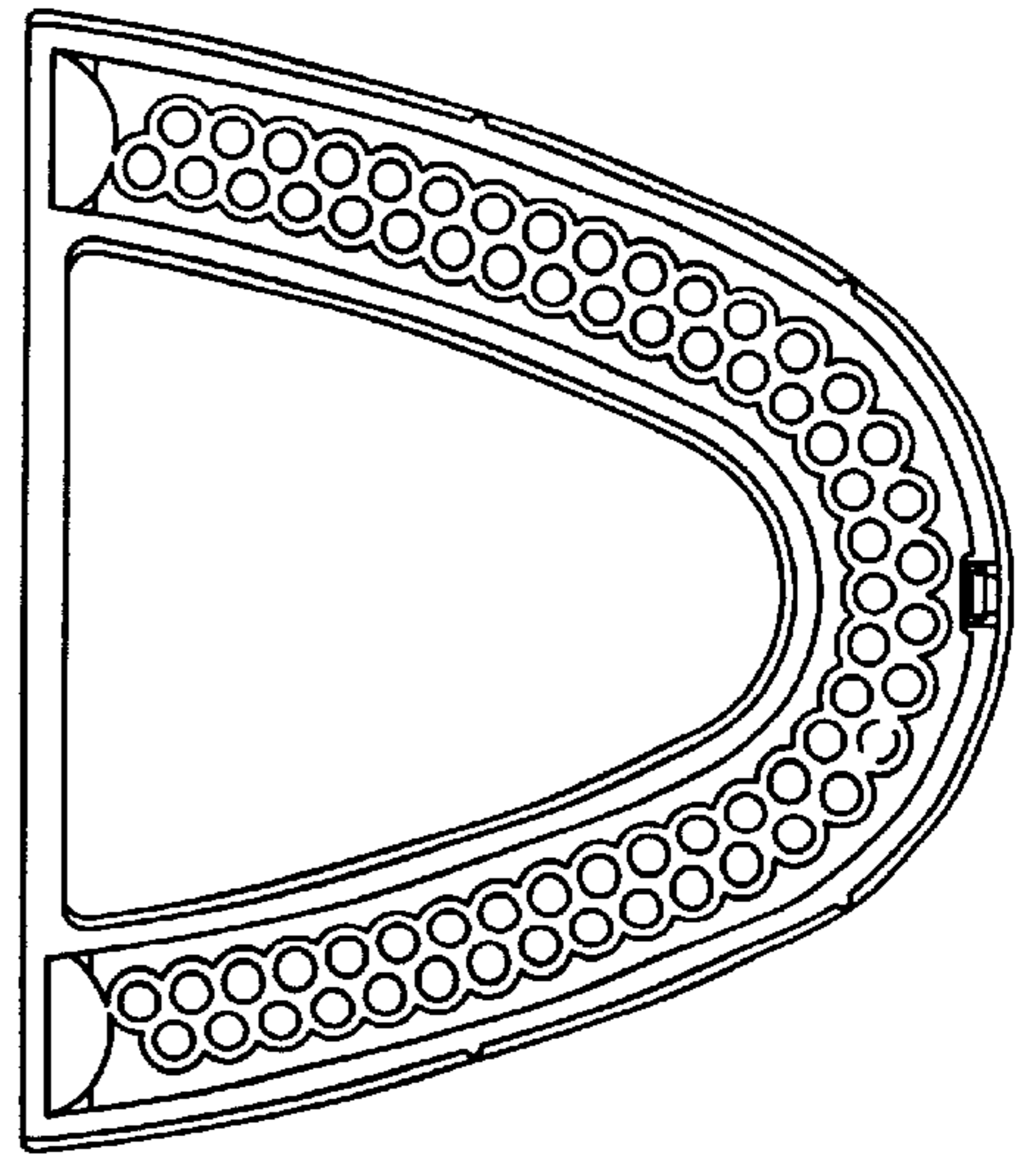


FIG. 5

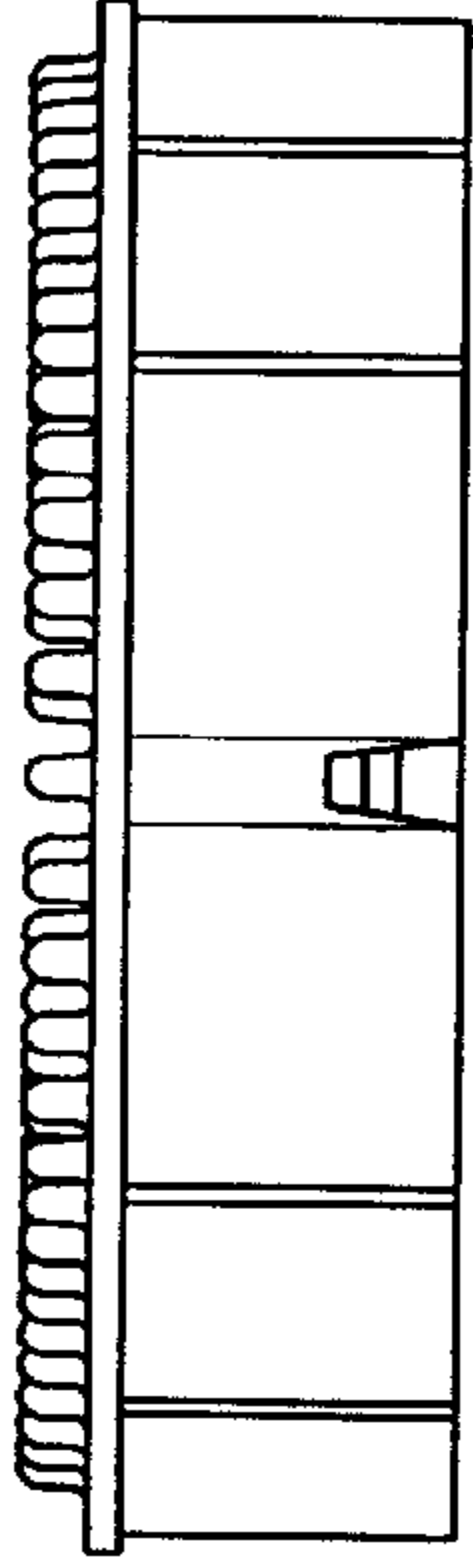


FIG. 4

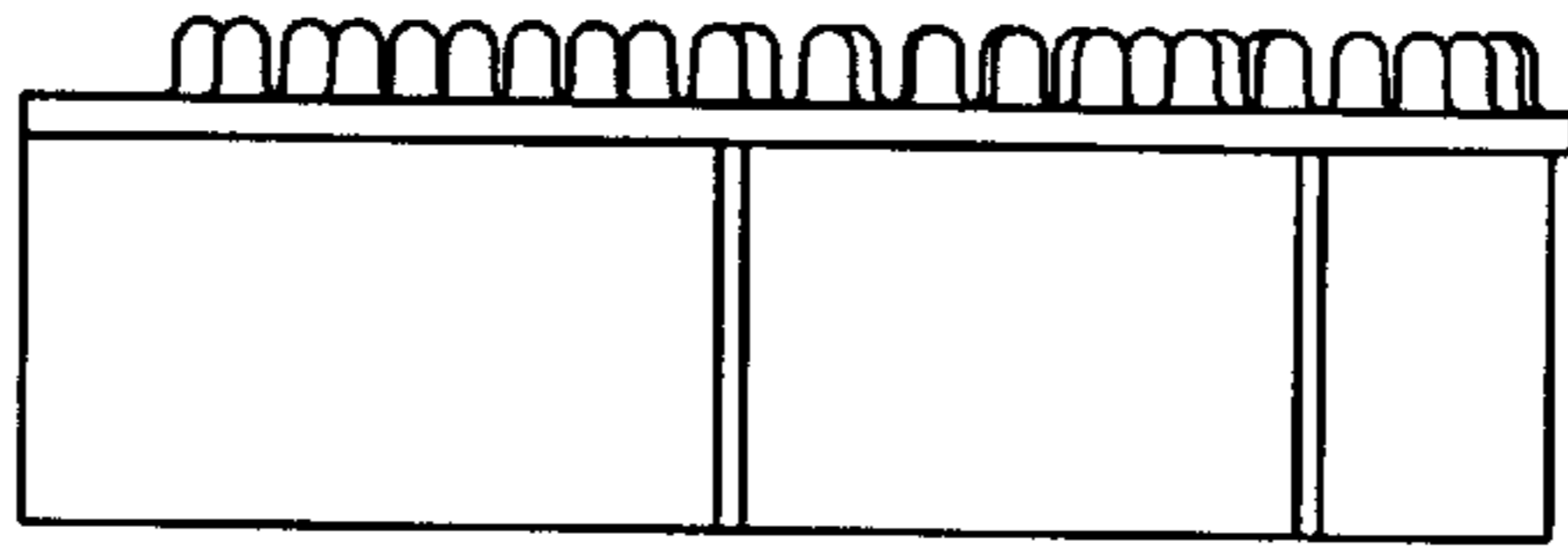


FIG. 6

