



US00D452565B1

(12) **United States Design Patent**  
**Smith**

(10) **Patent No.:** **US D452,565 S**

(45) **Date of Patent:** **\*\* Dec. 25, 2001**

(54) **TRAY FOR A HAIR-REMOVING APPLIANCE**

(76) Inventor: **Lee Smith**, 776 S. Military Trail,  
Deerfield Beach, FL (US) 33442

(\*\*) Term: **14 Years**

(21) Appl. No.: **29/139,842**

(22) Filed: **Apr. 9, 2001**

(51) **LOC (7) Cl.** ..... **28-03**

(52) **U.S. Cl.** ..... **D24/170; D28/73; D28/44**

(58) **Field of Search** ..... D28/10, 44, 44.1,  
D28/38, 73; D24/144, 170, 200, 206, 214;  
D9/420, 424; D3/203, 205, 303, 273, 274,  
901; 132/333; 601/2, 15; 606/131, 133,  
36, 42-44, 50, 52; 607/150, 154

(56) **References Cited**

**U.S. PATENT DOCUMENTS**

Re. 28,752	*	3/1976	Balamuth et al.	.....	601/2	X
D. 263,879	*	4/1982	Mann	.....	D24/144	
D. 271,916	*	12/1983	Koch	.....	D3/273	X
D. 341,388	*	11/1993	Rocco	.....	D3/274	X
D. 355,486	*	2/1995	Ikeda	.....	D24/144	
D. 360,036	*	7/1995	Doria	.....	D24/200	
D. 417,430	*	12/1999	Ko	.....	D13/107	

**OTHER PUBLICATIONS**

Feminique™ Sonique™ Ultra “The Ultimate hair Removal System” Brochure, c 1999, tray indicated by arrow.\*

\* cited by examiner

*Primary Examiner*—Ted Shooman

*Assistant Examiner*—C Tuttle

(74) *Attorney, Agent, or Firm*—Myron Amer PC

(57) **CLAIM**

The ornamental design for a tray for a hair-removing appliance, as shown and described.

**DESCRIPTION**

FIG. 1 is a top view of tray for a hair-removing appliance showing my new design;

FIG. 2 is a right side elevational view thereof;

FIG. 3 is a bottom view thereof;

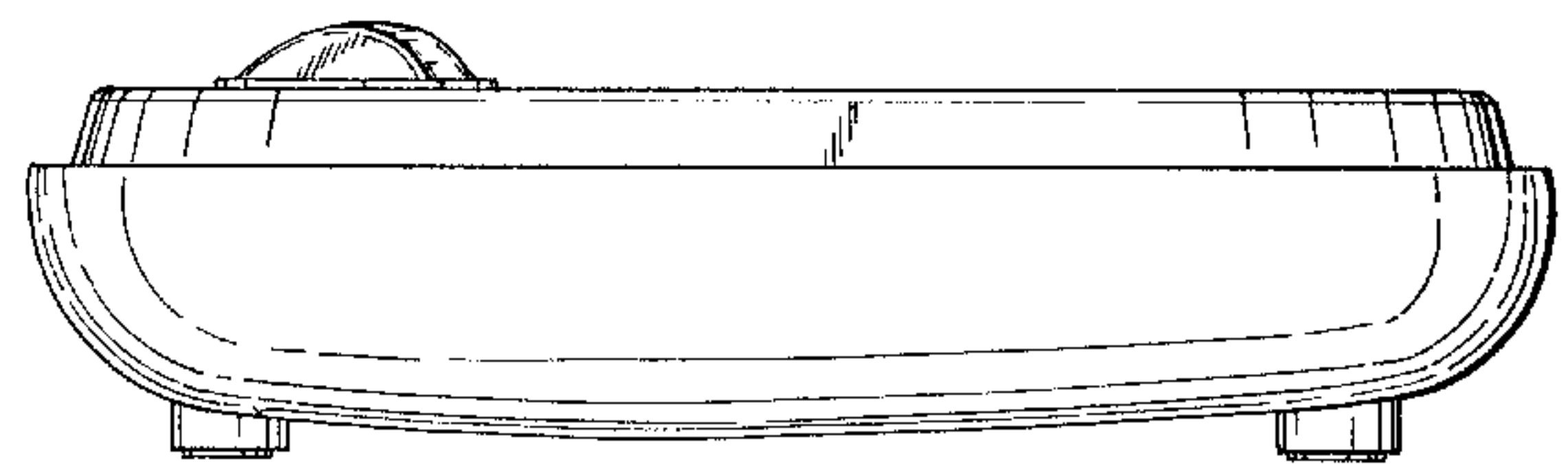
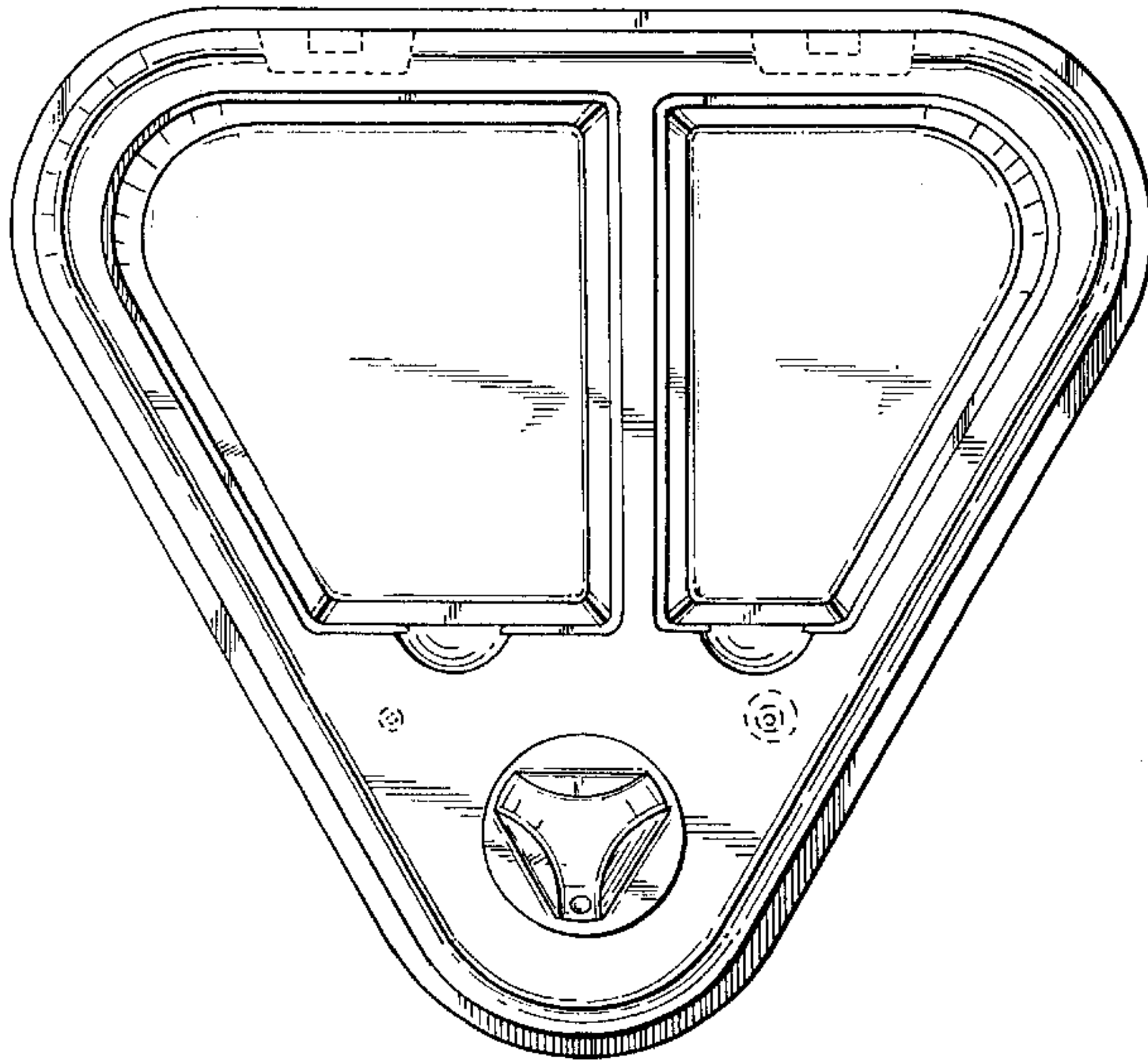
FIG. 4 is a left side elevational view thereof;

FIG. 5 is a front view thereof; and,

FIG. 6 is a rear view thereof.

The structure shown in broken lines are for illustrative purposes only and forms no part of the claim design.

**1 Claim, 3 Drawing Sheets**



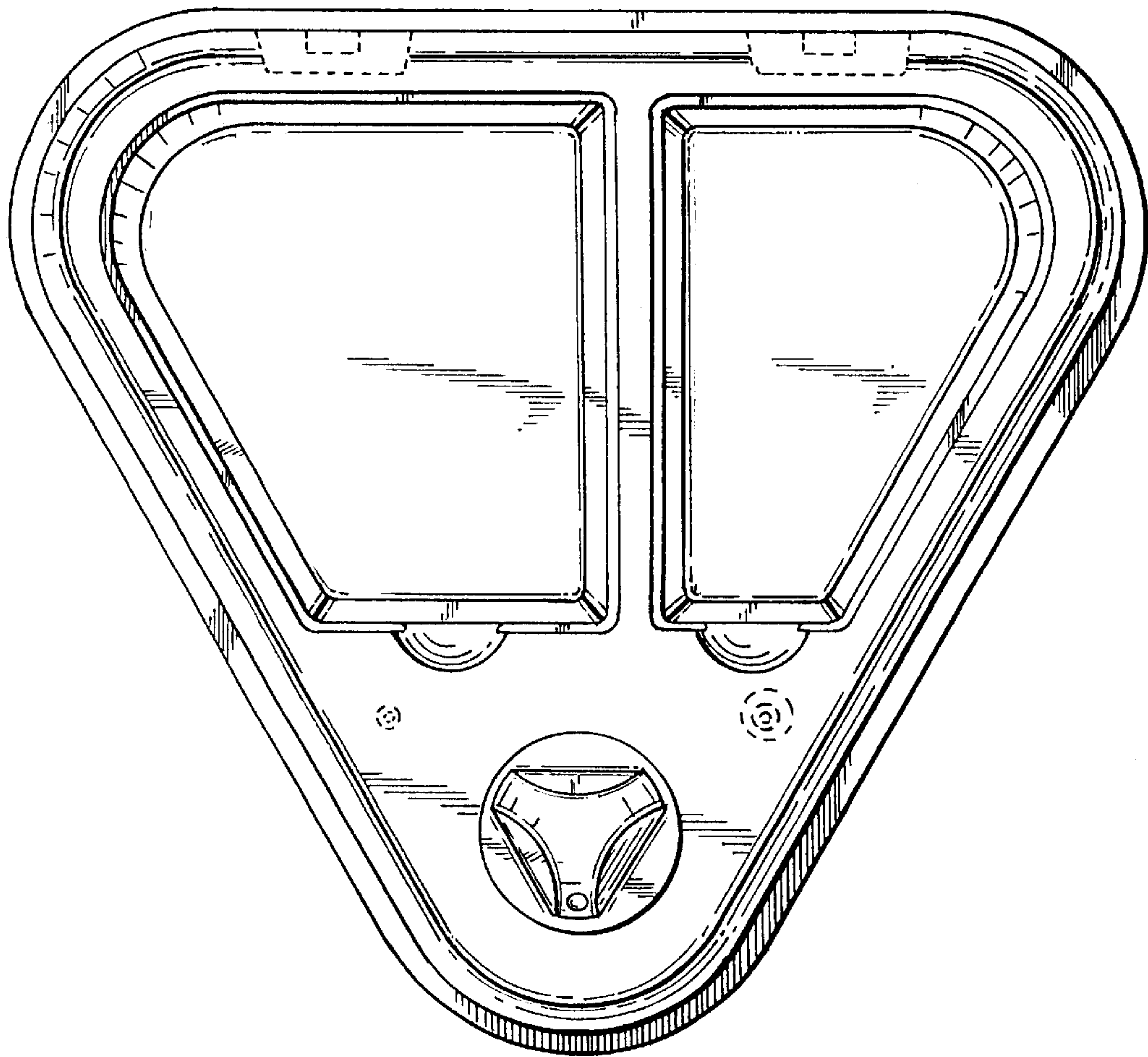


FIG. 1

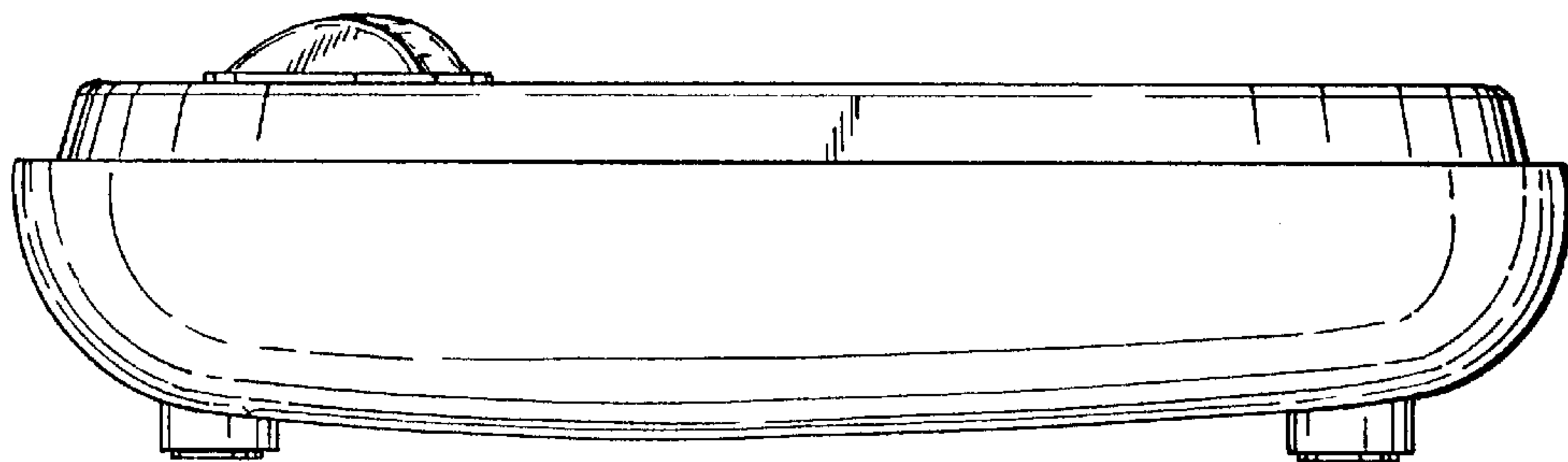
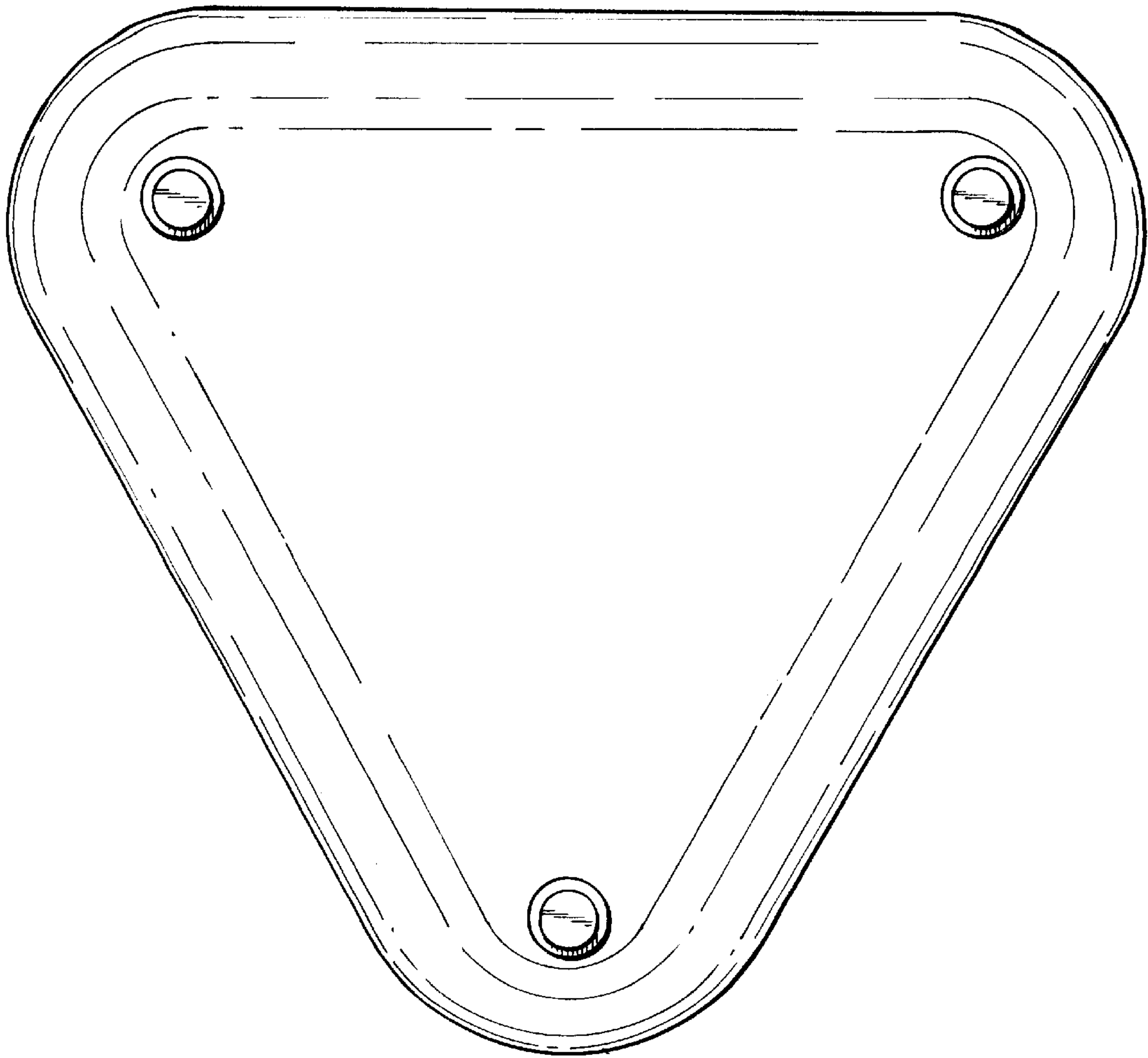
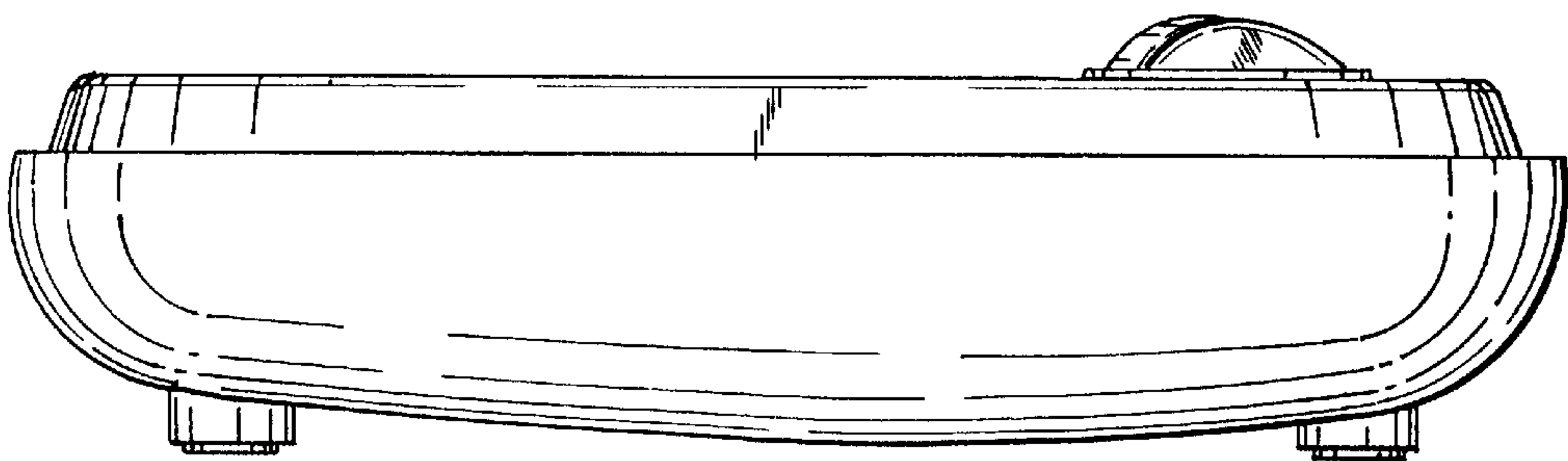


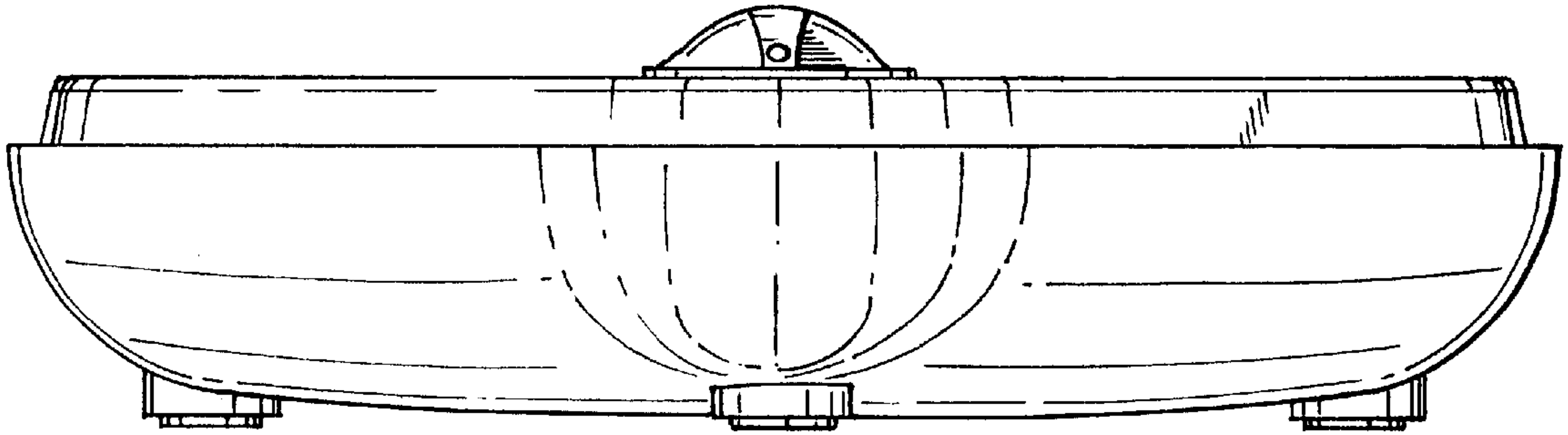
FIG. 2



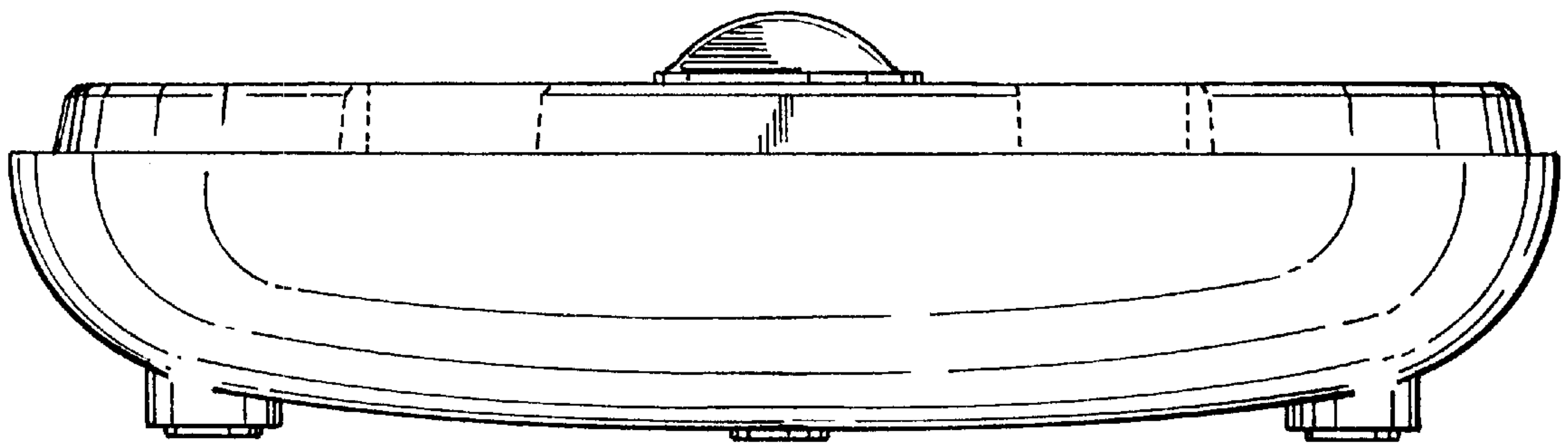
**FIG. 3**



**FIG. 4**



**FIG. 5**



**FIG. 6**