



US00D452564B1

(12) **United States Design Patent**  
**Micinski et al.**

(10) **Patent No.:** **US D452,564 S**

(45) **Date of Patent:** **\*\* Dec. 25, 2001**

(54) **CRADLE FOR ANALYTE MONITORING DEVICE**

(75) Inventors: **Russell J. Micinski**, South Bend; **Eric W. Miller**; **Frank W. Wogoman**, both of Granger, all of IN (US)

(73) Assignee: **Bayer Corporation**, Elkhart, IN (US)

(\*\*) Term: **14 Years**

(21) Appl. No.: **29/123,774**

(22) Filed: **May 24, 2000**

(51) **LOC (7) Cl.** ..... **24-01**

(52) **U.S. Cl.** ..... **D24/169**

(58) **Field of Search** ..... D24/169, 186; 600/300, 316, 319, 347, 365; 361/600, 679, 681, 686; 422/68.1, 56, 58, 61, 102

(56) **References Cited**

**U.S. PATENT DOCUMENTS**

D. 320,079	*	9/1991	Kida	.....	D24/169
D. 371,605	*	7/1996	Wong et al.	.....	D24/169
D. 439,669	*	3/2001	Grunstad et al.	.....	D24/169
D. 441,867	*	5/2001	Belisle et al.	.....	D24/169

\* cited by examiner

*Primary Examiner*—Stella Reid

(74) *Attorney, Agent, or Firm*—Brinks Hofer Gilson & Lione

(57) **CLAIM**

The ornamental design for a cradle for analyte monitoring device, as shown and described.

**DESCRIPTION**

FIG. 1 is a top perspective view of a cradle for analyte monitoring device, showing our new design with the lid closed.

FIG. 2 is a top perspective thereof with the lid open.

FIG. 3 is a bottom perspective view thereof.

FIG. 4 is a bottom perspective view of a second embodiment of a cradle showing our new design.

FIG. 5 is a rear view of FIGS. 1 and 4.

FIG. 6 is a top view thereof.

FIG. 7 is a front view thereof.

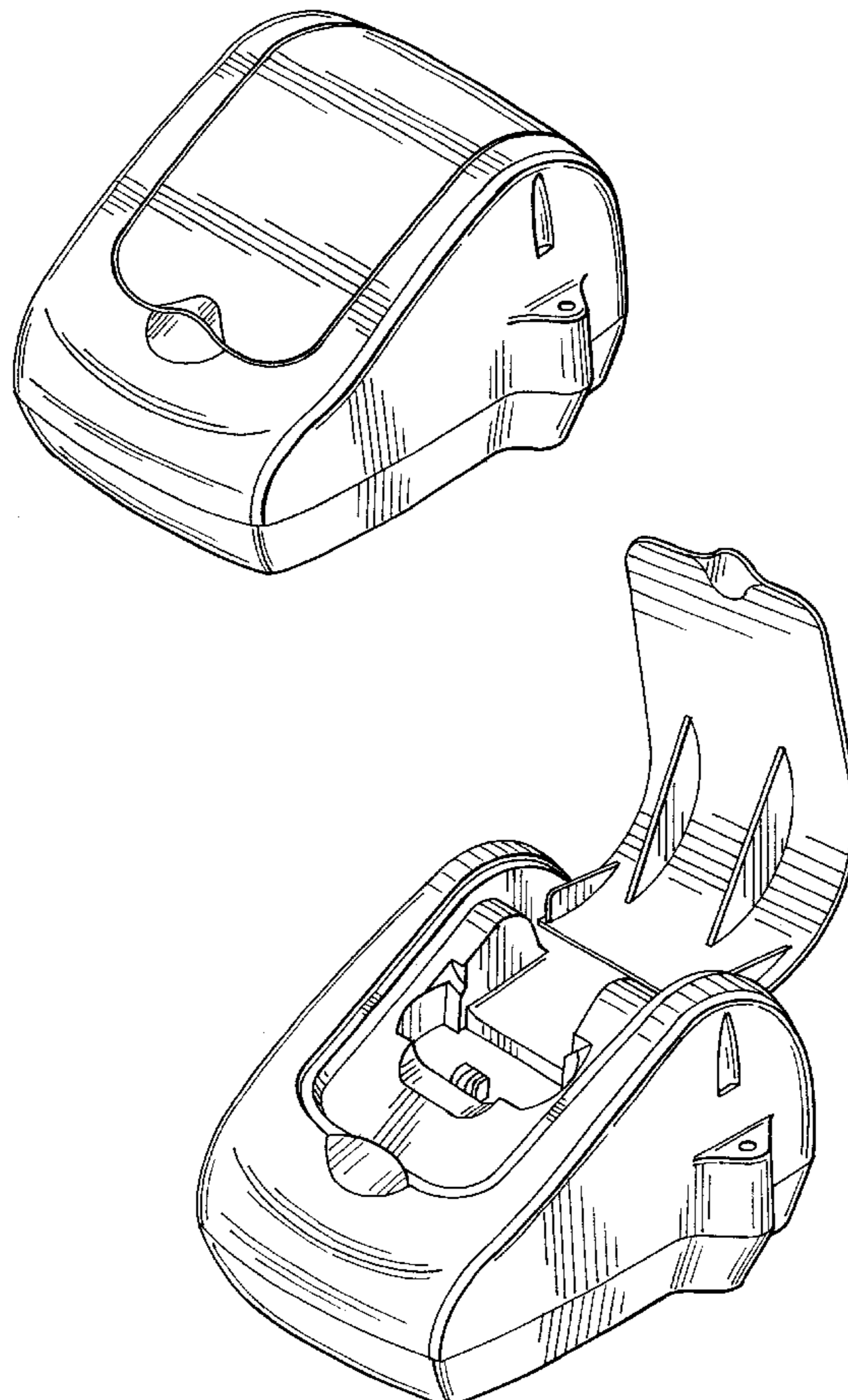
FIG. 8 is a right side view thereof.

FIG. 9 is a left side view thereof.

FIG. 10 is a bottom plan view of FIG. 1; and,

FIG. 11 is a bottom plan view of FIG. 4.

**1 Claim, 4 Drawing Sheets**



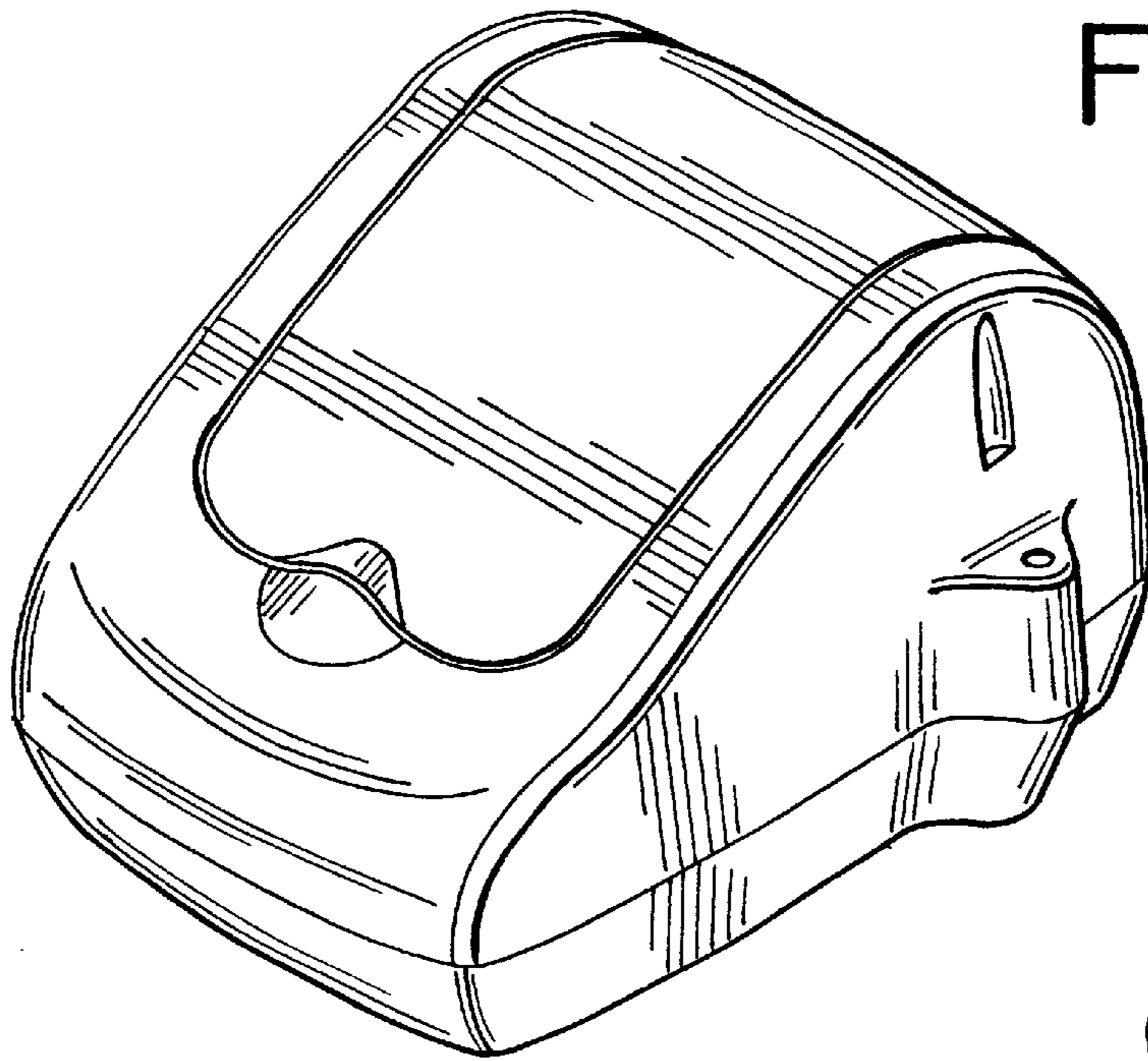


FIG. 1

FIG. 2

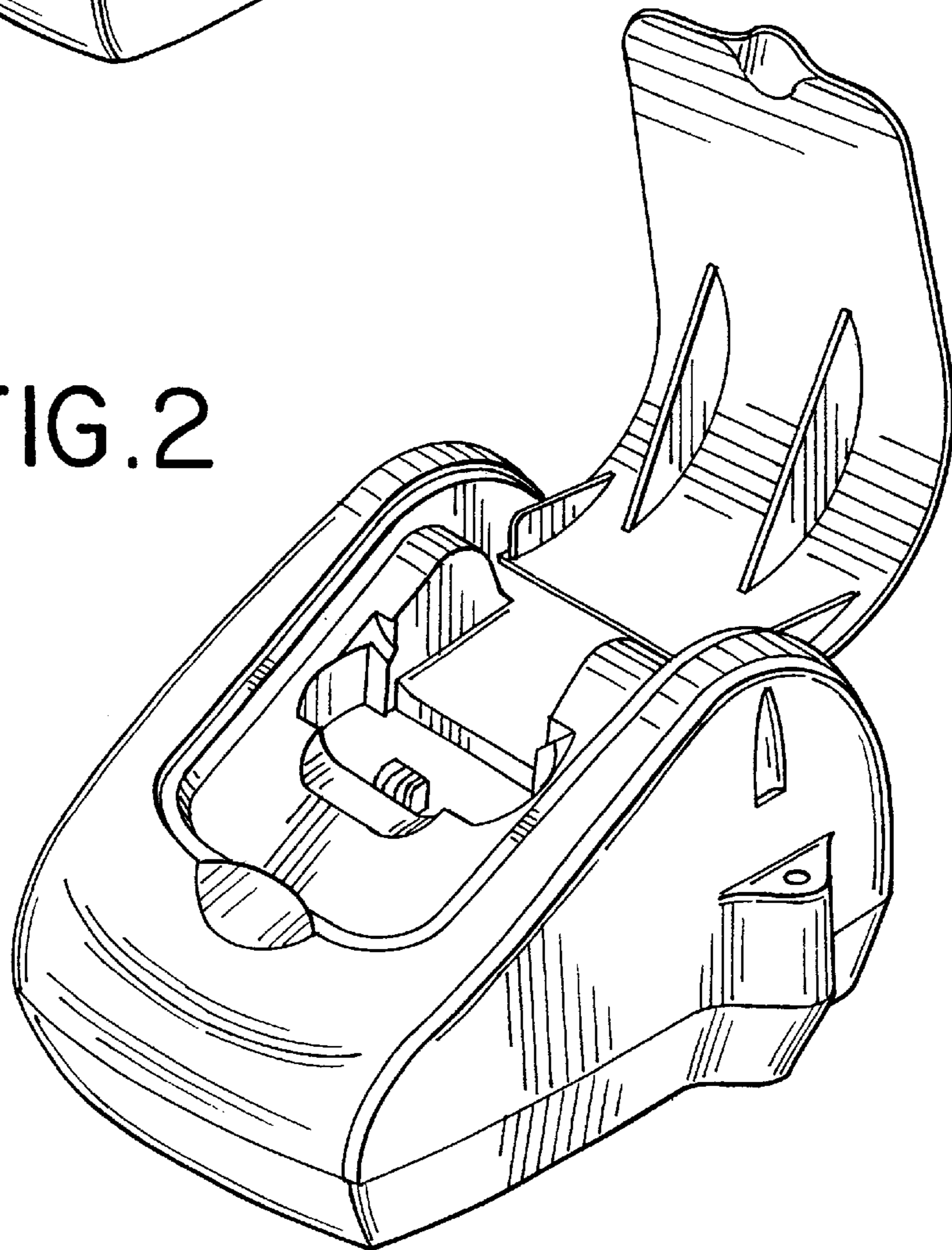


FIG. 3

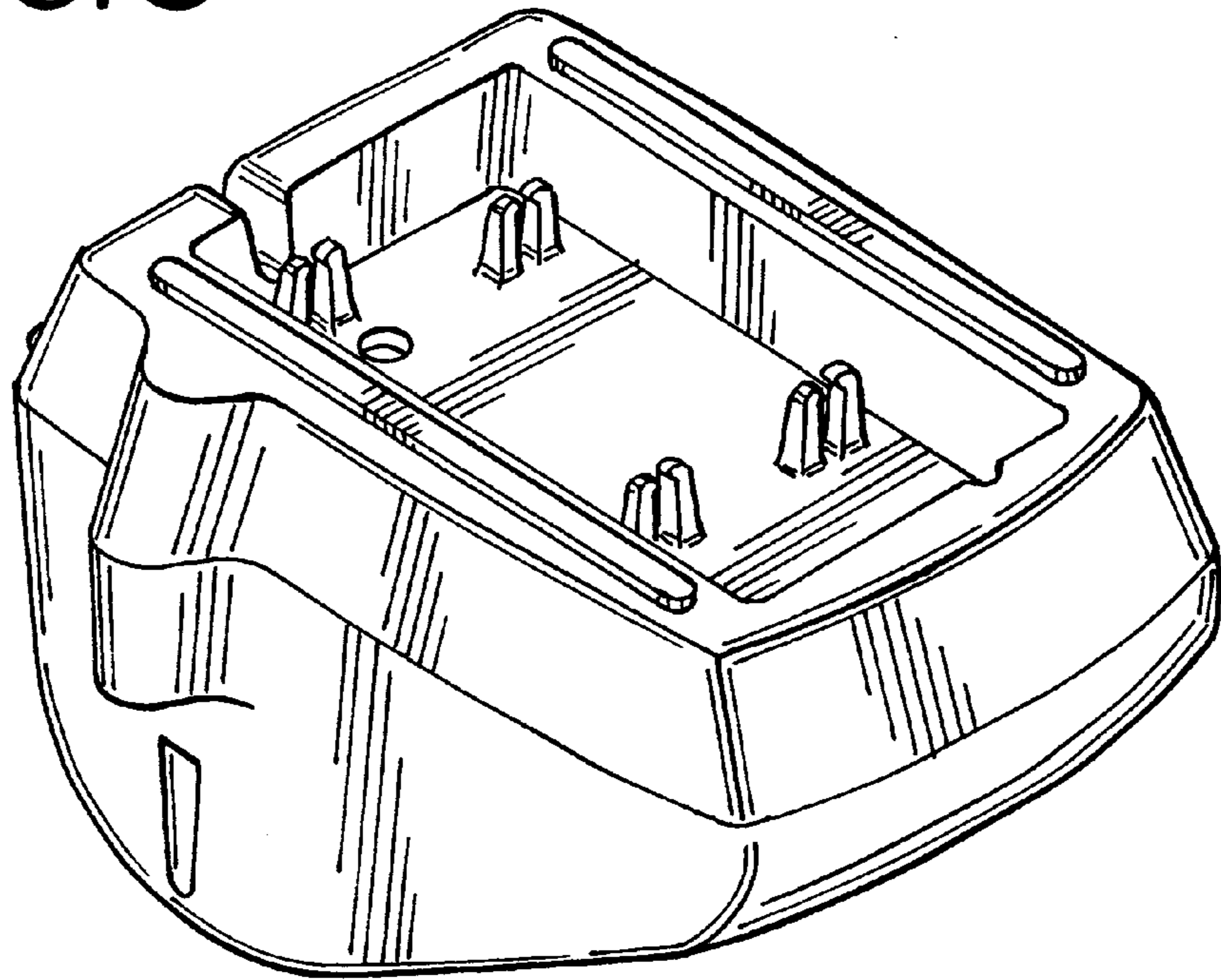


FIG. 4

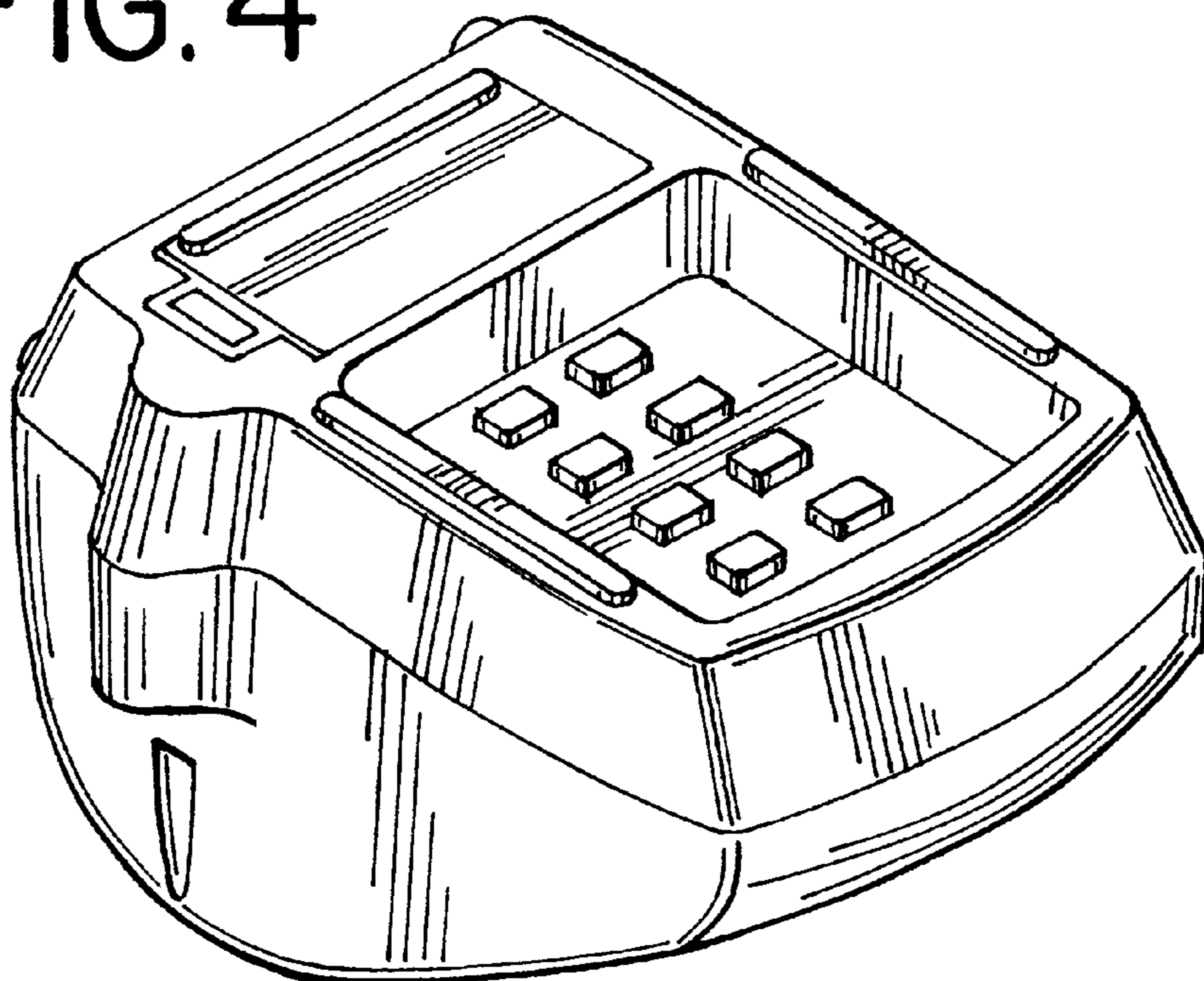


FIG.5

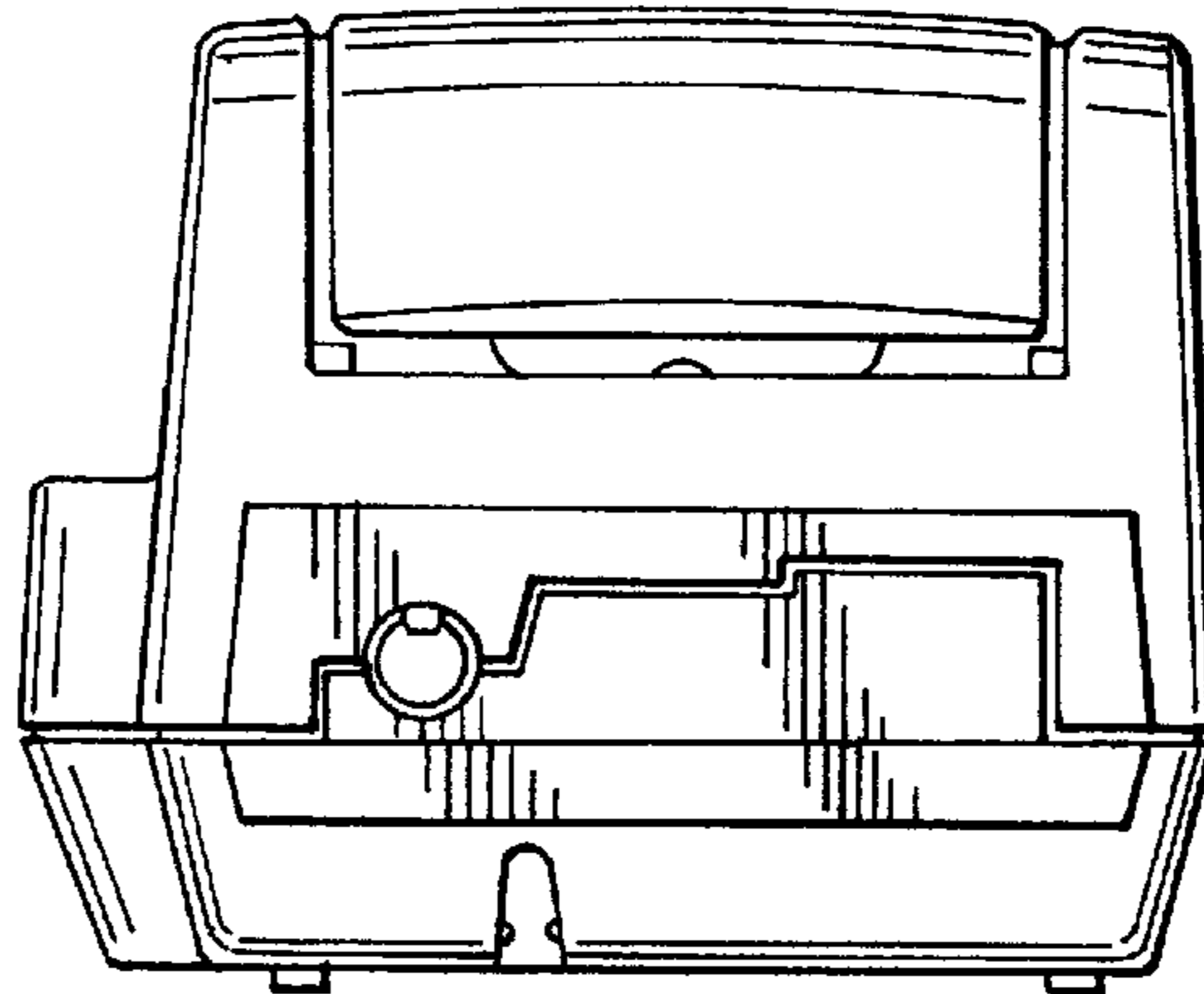


FIG.6

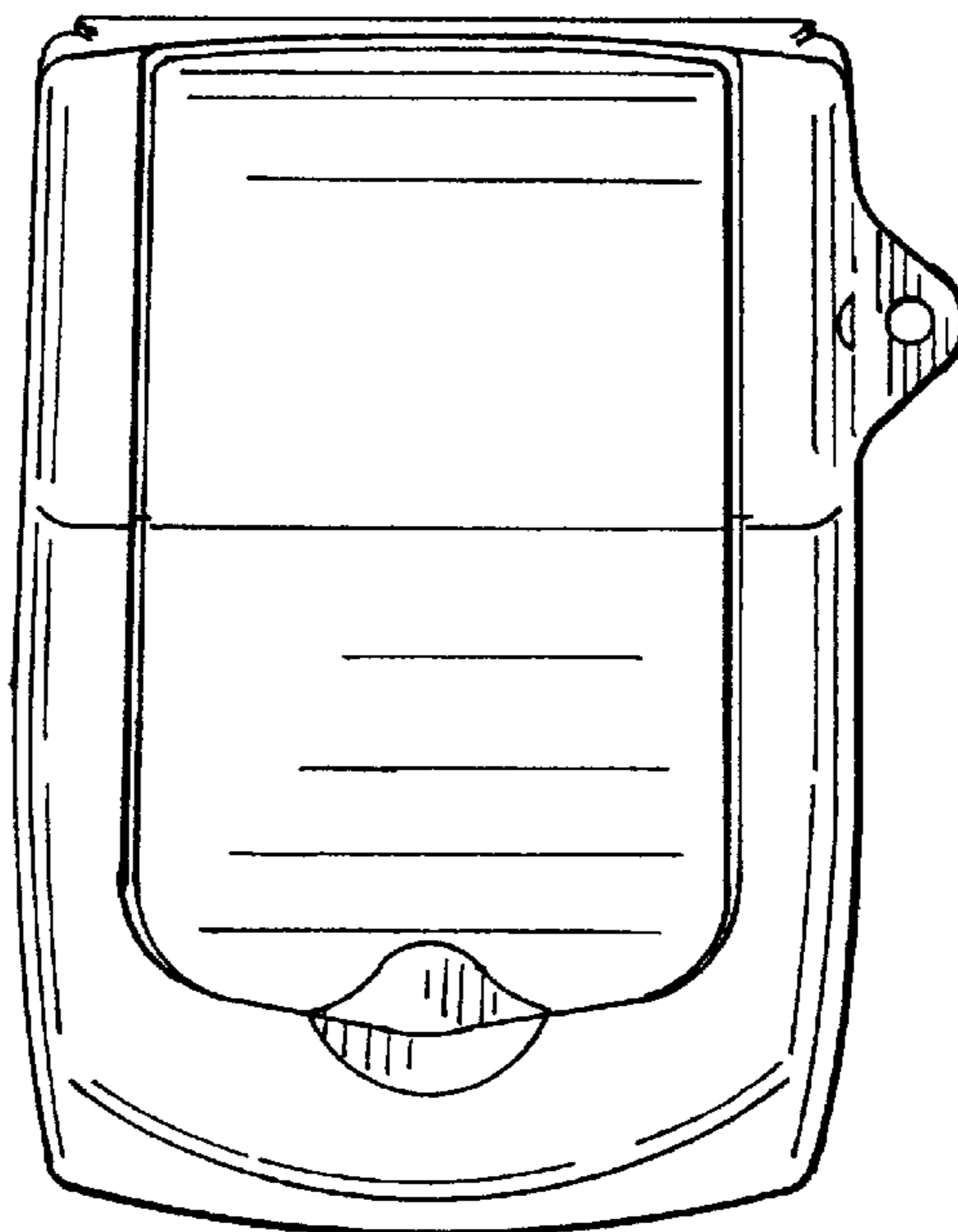


FIG. 7

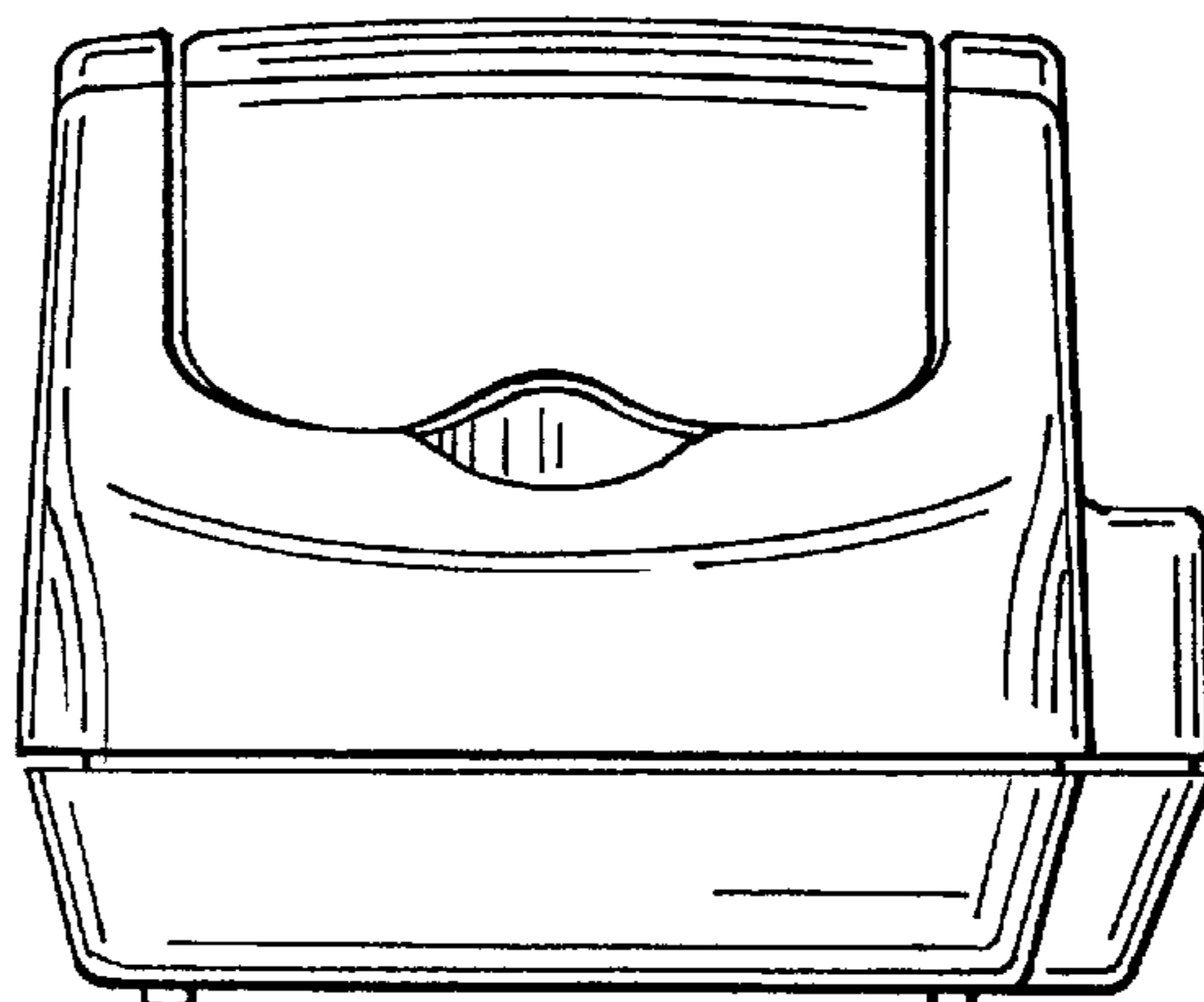


FIG.8

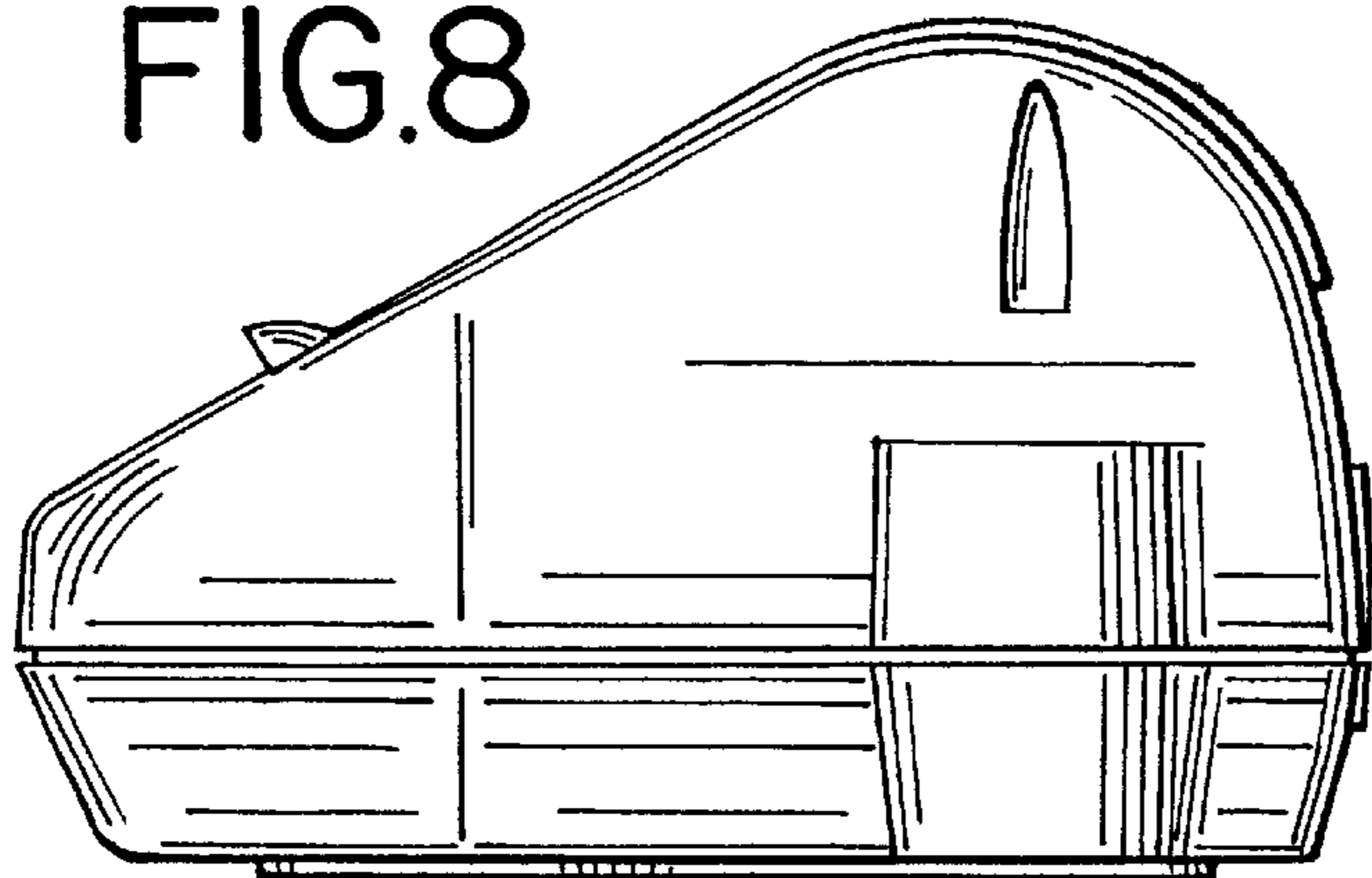


FIG.9

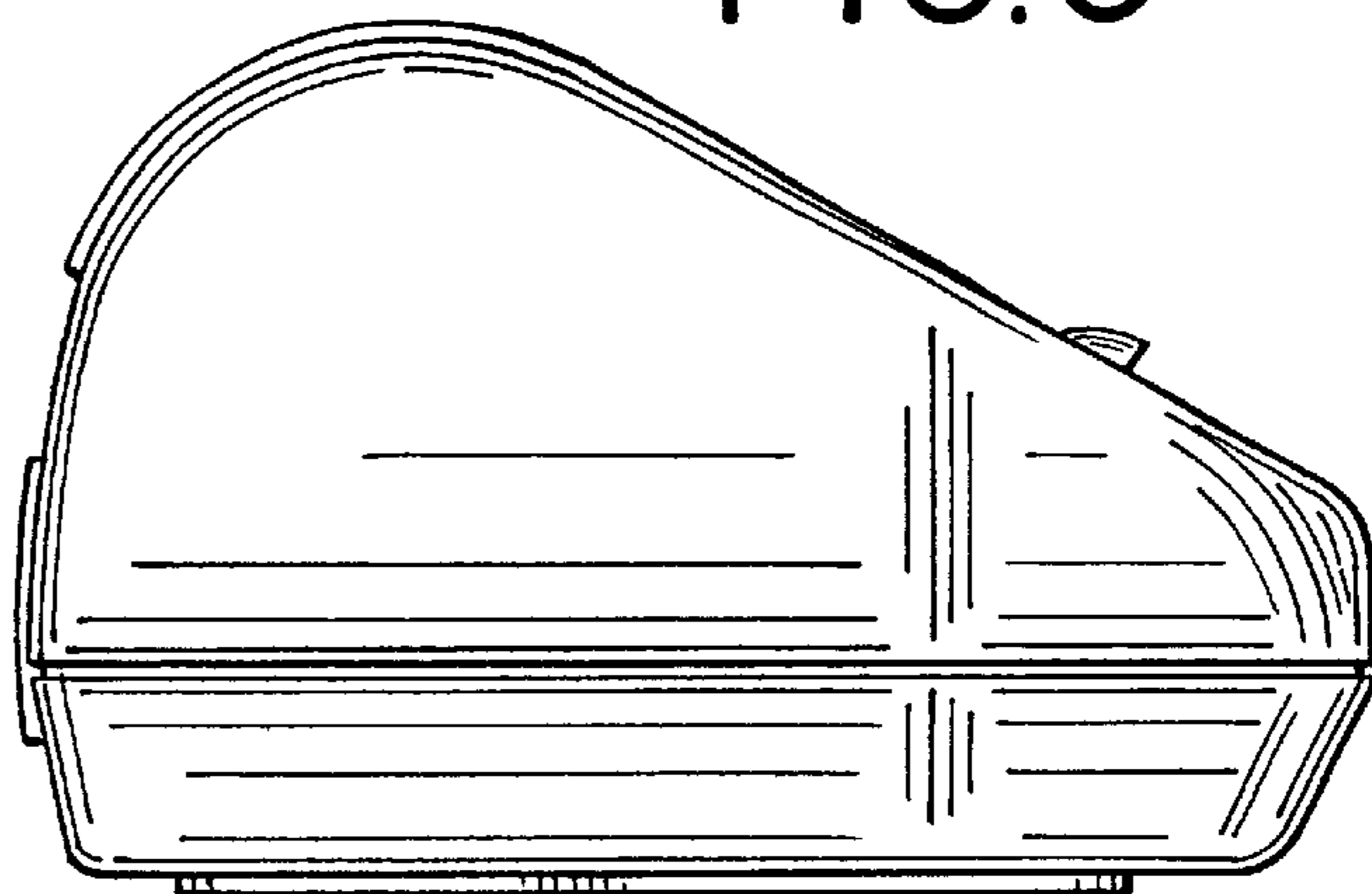


FIG.10

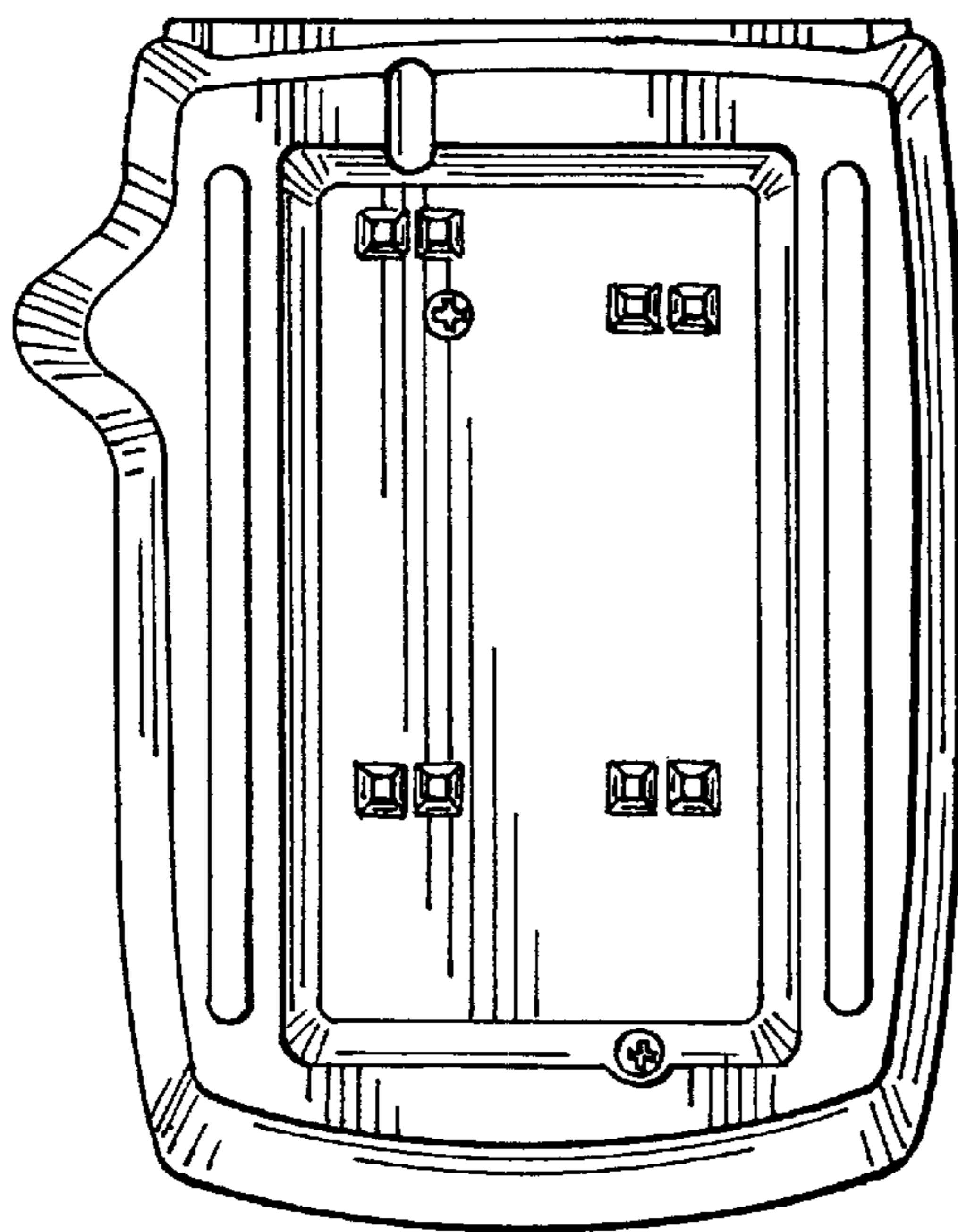


FIG.11

