



US00D452556B1

(12) **United States Design Patent**
Kurokawa et al.

(10) **Patent No.:** **US D452,556 S**

(45) **Date of Patent:** **** Dec. 25, 2001**

(54) **APERTURED AIR CONDITIONER PANEL WITH MOVABLE DOOR**

(75) Inventors: **Katsuhiro Kurokawa; Akihiro Tsurushima**, both of Tokyo (JP)

(73) Assignee: **Calsonic Kansei Corporation**, Tokyo (JP)

(**) Term: **14 Years**

(21) Appl. No.: **29/121,126**

(22) Filed: **Apr. 4, 2000**

(30) **Foreign Application Priority Data**

Oct. 29, 1999 (JP) 11-29641
Oct. 29, 1999 (JP) 11-29642

(51) **LOC (7) Cl.** **23-04**

(52) **U.S. Cl.** **D23/354; D23/392**

(58) **Field of Search** D23/351, 354, D23/386, 387, 391, 392; 165/41, 43; 49/41, 40, 275, 350, 353, 336, 361, 362, 341; 454/143, 152, 154, 155, 284, 313, 316, 330, 334

(56) **References Cited**

U.S. PATENT DOCUMENTS

4,750,410 * 6/1988 Parker .
5,188,561 * 2/1993 Nissimoff et al. .

5,397,267 * 3/1995 Vecellio .
5,845,980 * 12/1998 Fricano et al. .
5,947,813 * 9/1999 Chow et al. .
6,015,342 * 1/2000 Dennis .
6,019,676 * 2/2000 Kim .
6,059,653 * 5/2000 Gehring et al. .
6,227,635 * 5/2001 Teppo et al. .

* cited by examiner

Primary Examiner—B. J. Bullock

(74) *Attorney, Agent, or Firm*—Sughrue Mion, PLLC

(57) **CLAIM**

The ornamental design for an apertured air conditioner panel with movable door, as shown and described.

DESCRIPTION

FIG. 1 is a perspective view of the top, rear and one side of an apertured air conditioner panel with movable door showing our new design;
FIG. 2 is a side elevational view of said one side, the opposite side being a mirror image thereof;
FIG. 3 is a rear elevational view thereof;
FIG. 4 is a top plan view thereof;
FIG. 5 is a bottom plan view thereof;
FIG. 6 is a front elevational view thereof; and,
FIG. 7 is a view similar to FIG. 1 with the door in an intermediate position.

1 Claim, 5 Drawing Sheets

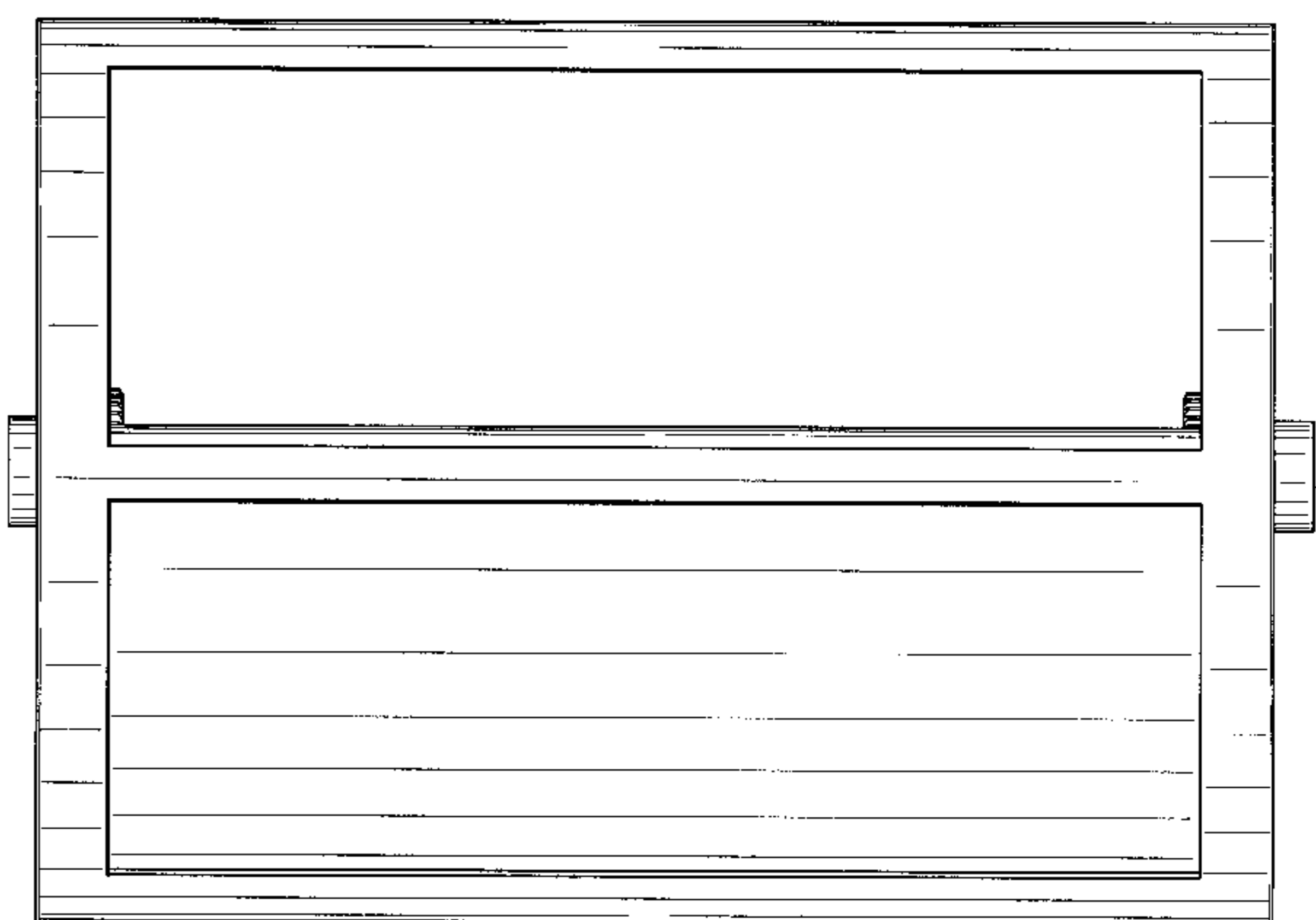
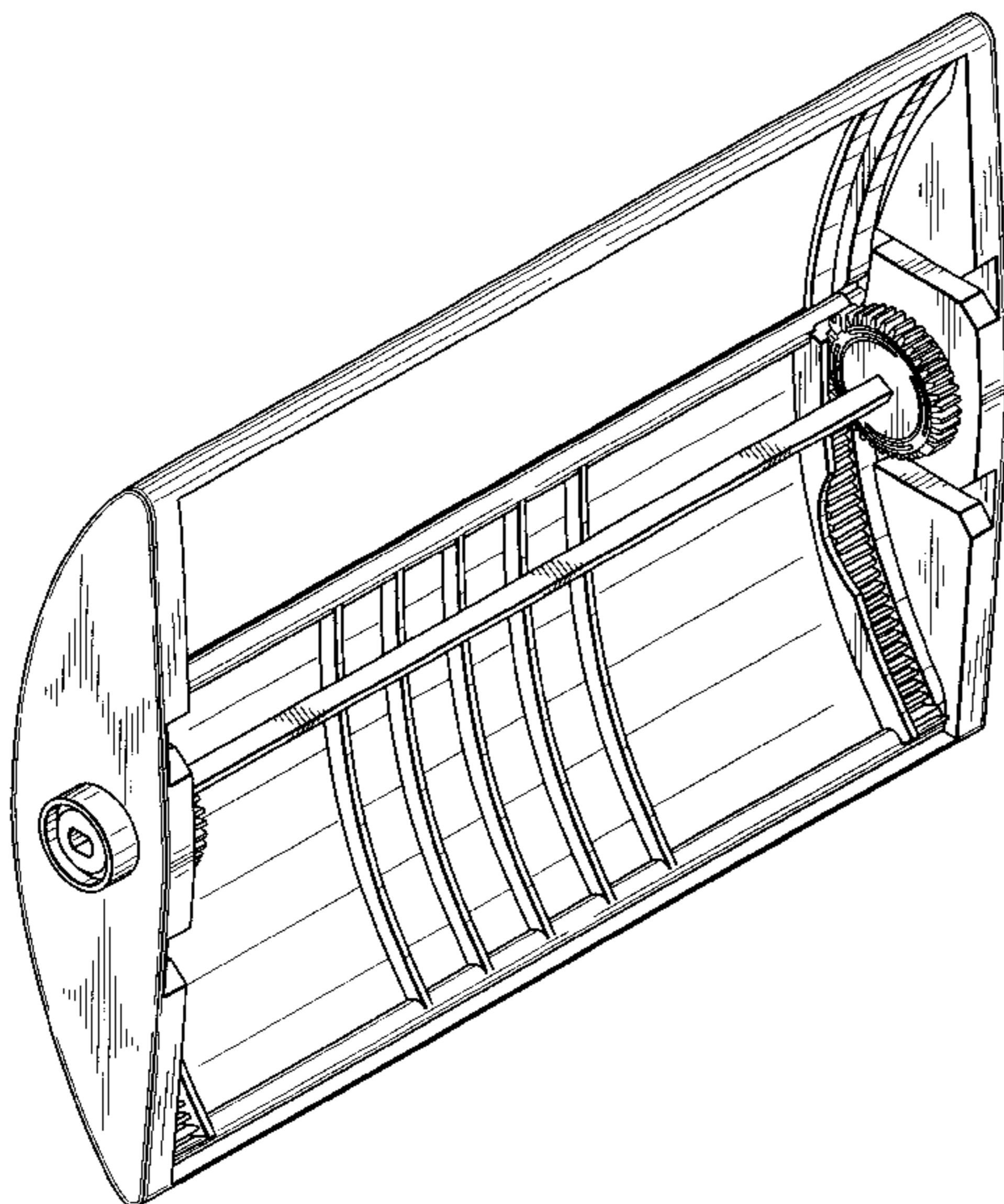


FIG. 1

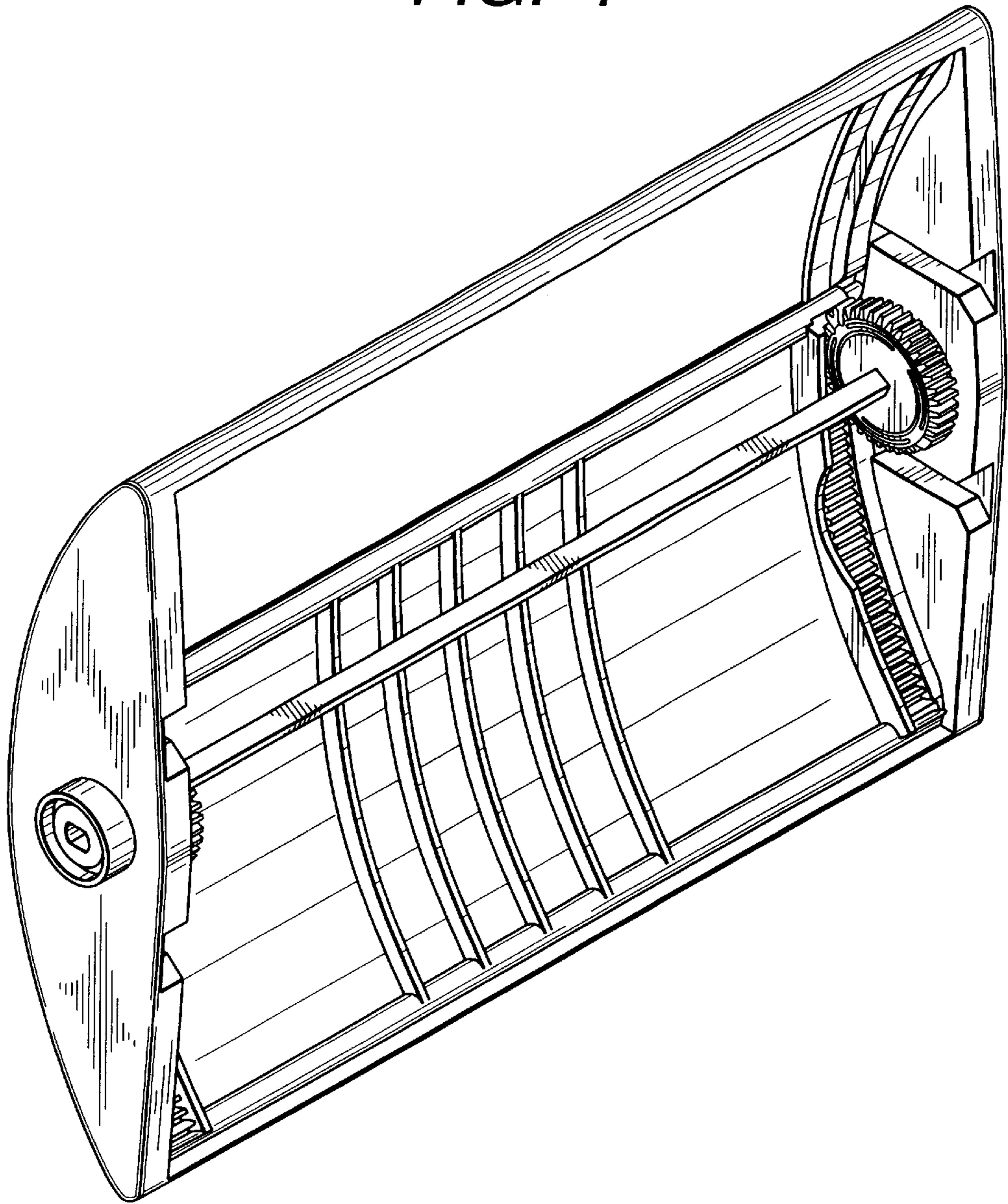


FIG. 3

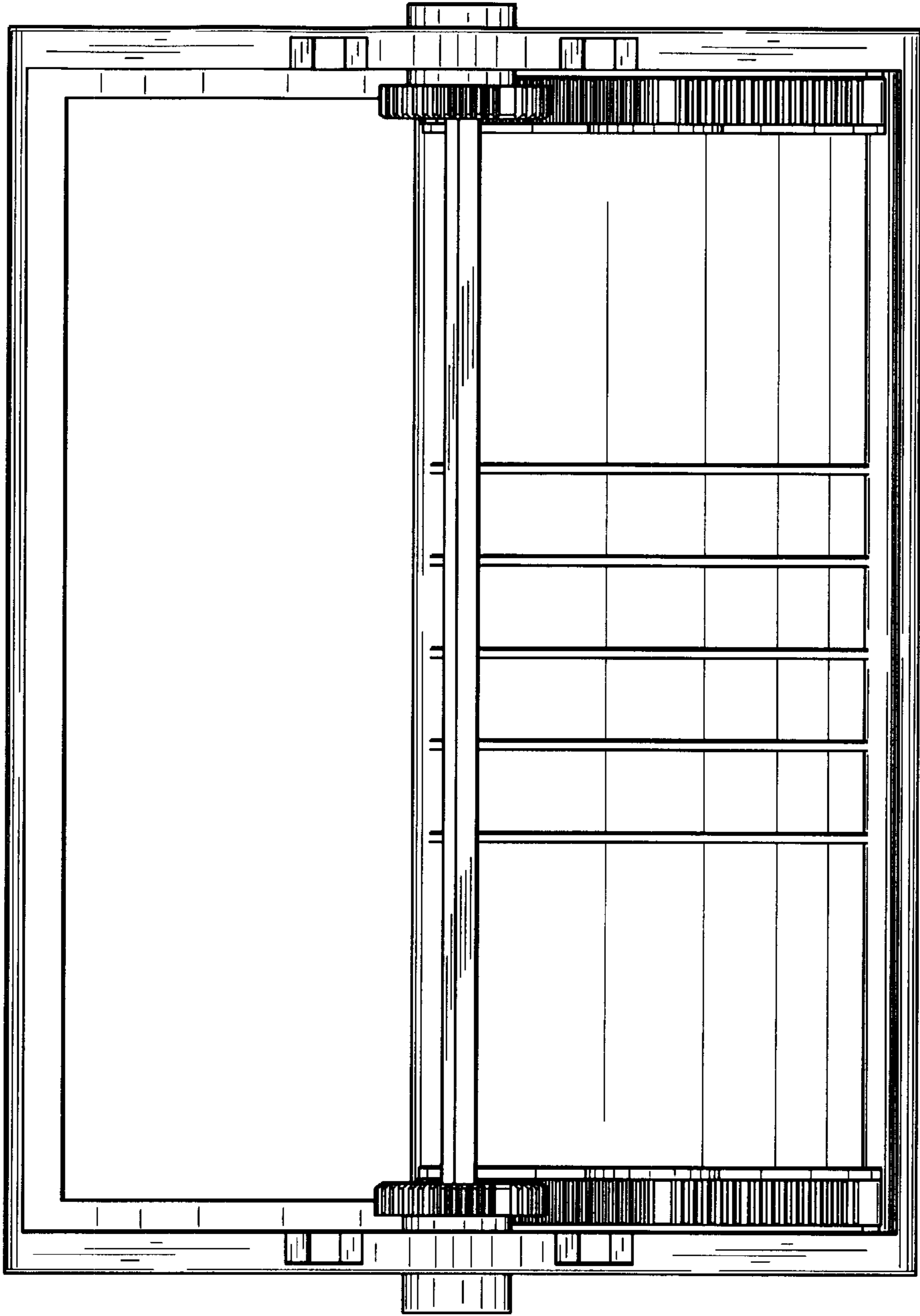


FIG. 2

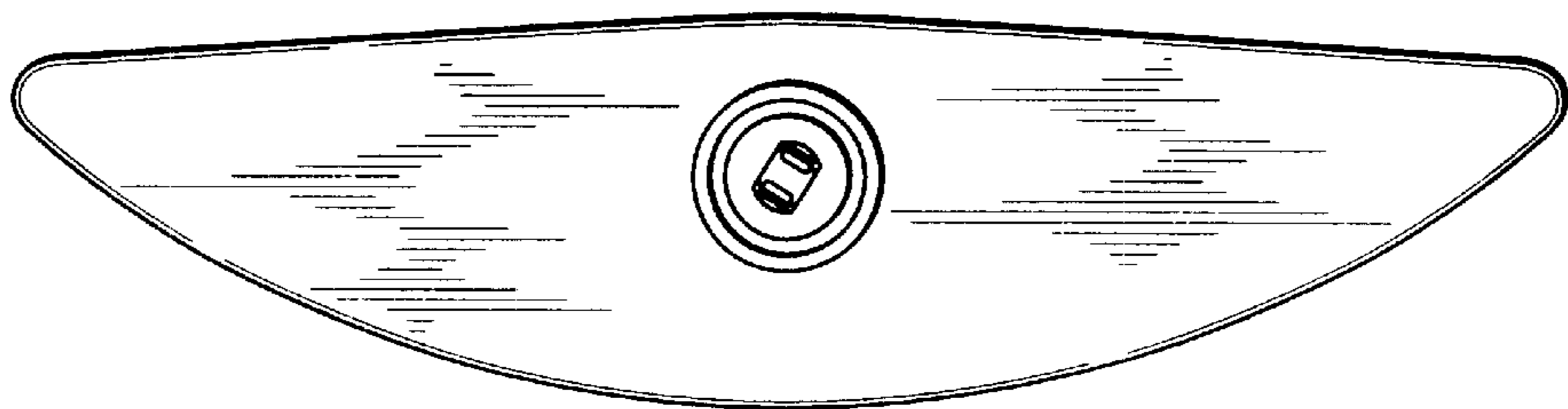


FIG. 4

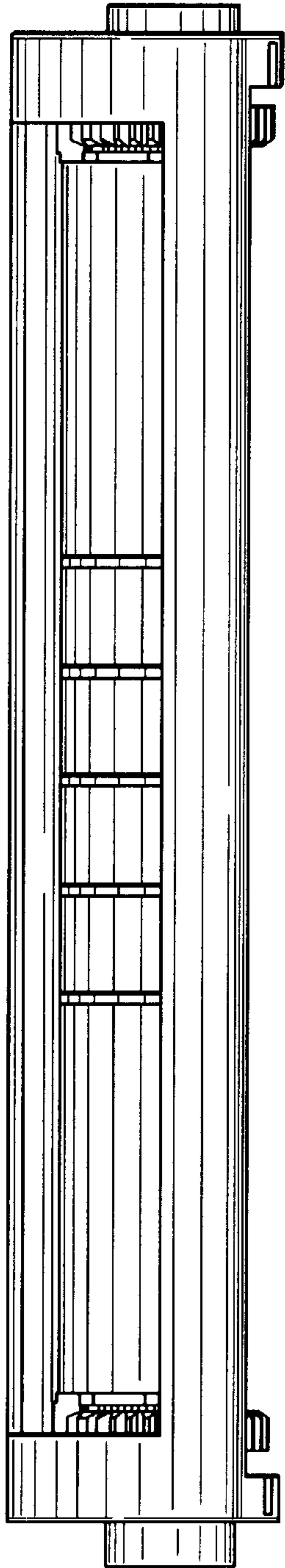


FIG. 5



FIG. 6

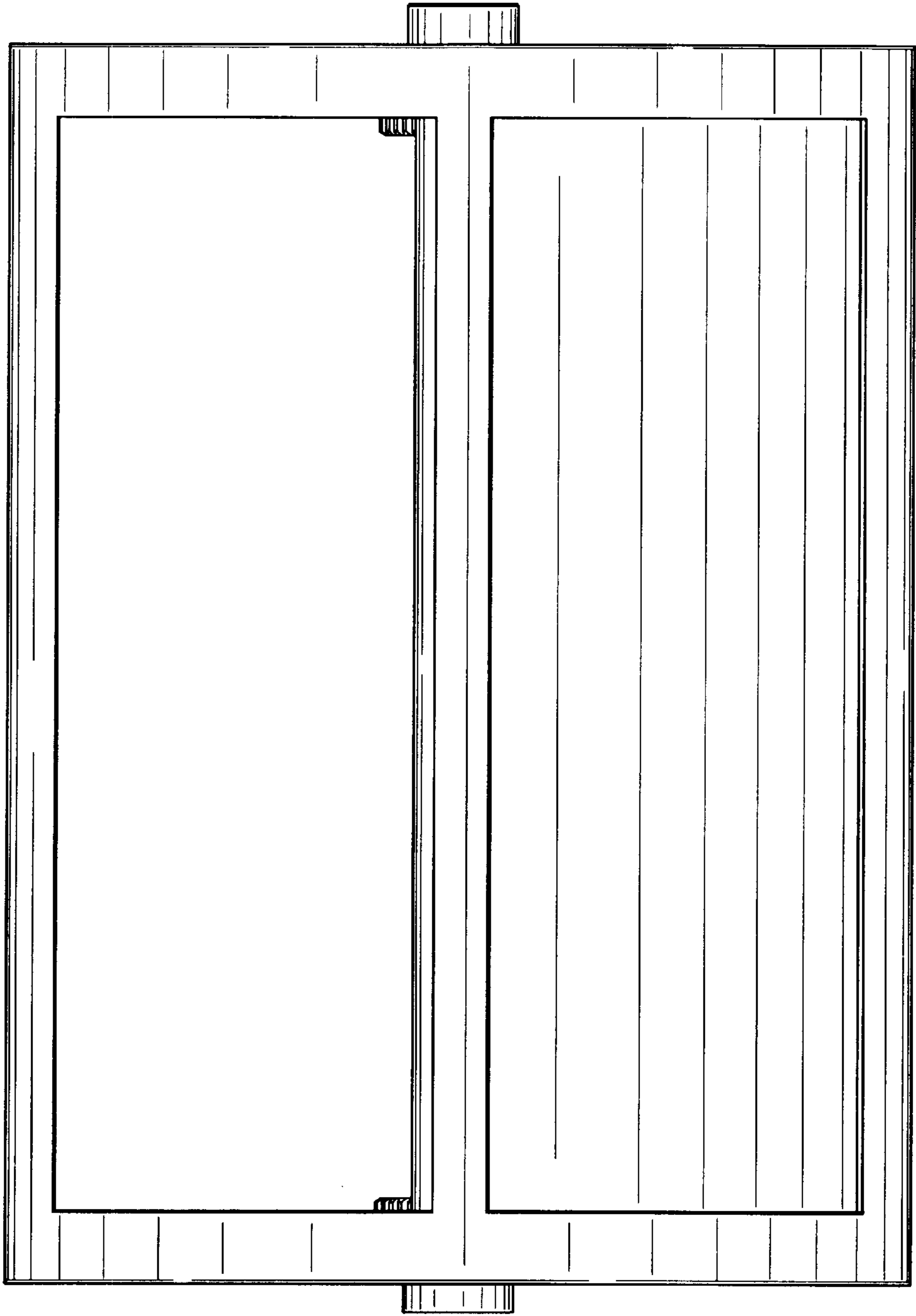


FIG. 7

