



US00D452555B1

(12) **United States Design Patent**
Morris

(10) **Patent No.:** **US D452,555 S**

(45) **Date of Patent:** **** Dec. 25, 2001**

(54) **TOILET BASE SPACER**

(76) Inventor: **Leo Eldon Morris**, 9380 Ottoman Way,
Orangevale, CA (US) 95662

(**) Term: **14 Years**

(21) Appl. No.: **29/101,152**

(22) Filed: **Feb. 25, 1999**

(51) **LOC (7) Cl.** **23-02**

(52) **U.S. Cl.** **D23/309**

(58) **Field of Search** D23/303-309,
D23/295-301; 4/353, 421, 424, 428, 430,
504, 300, DIG. 2, 661

(56) **References Cited**

U.S. PATENT DOCUMENTS

- D. 255,481 * 6/1980 Moore D23/309
- D. 398,678 * 9/1998 Terry et al. D23/303
- 4,373,219 * 2/1983 Garasi et al. 4/300

* cited by examiner

Primary Examiner—Louis S. Zarfaz
Assistant Examiner—Robert A. Delehanty

(57) **CLAIM**

I claim the ornamental design for a toilet base spacer, as shown and described.

DESCRIPTION

FIG. 1 is a top plan view of a toilet base spacer showing my new design;

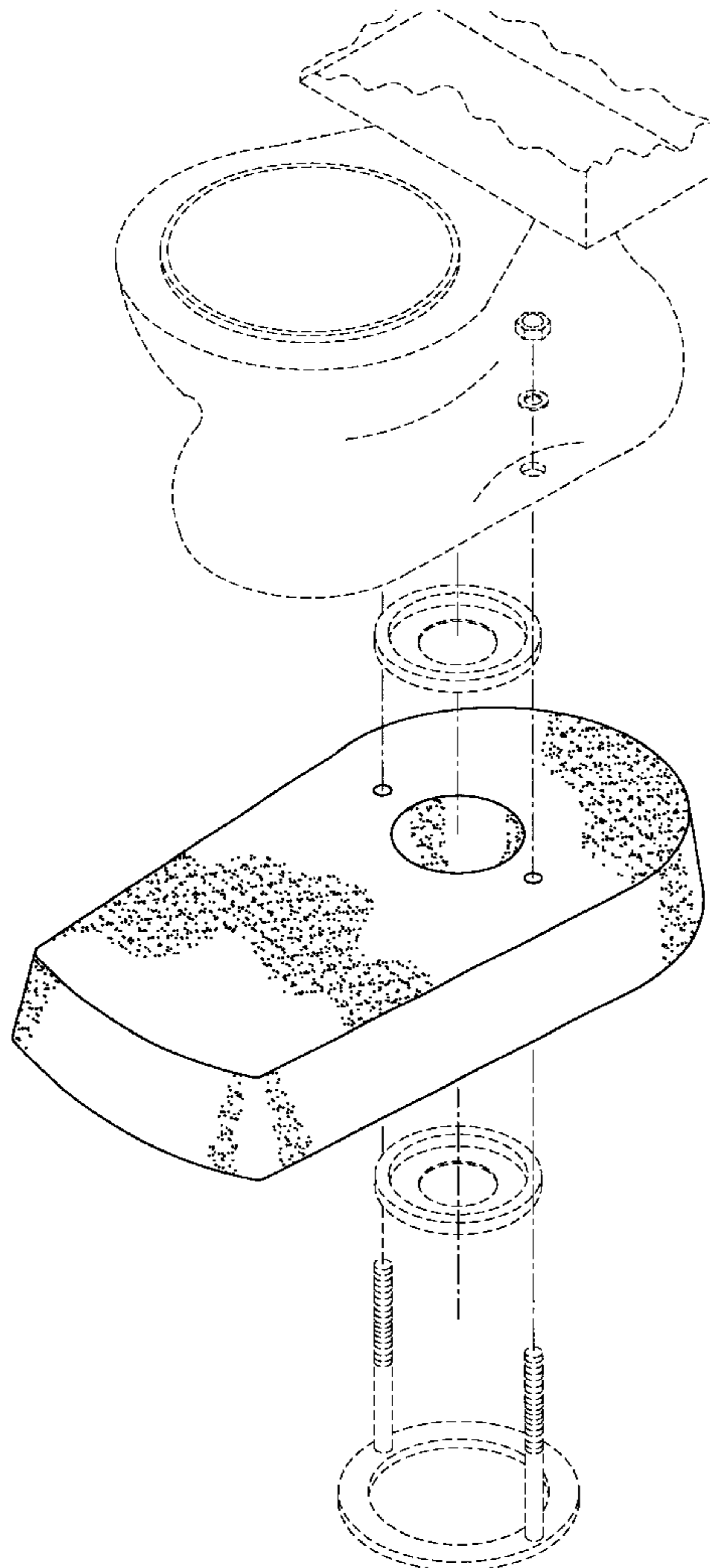
FIG. 2 is a cross section view thereof taken along lines 2—2 show in FIG. 1;

FIG. 3 is a side elevation view shown in condition of use with a toilet, it being understood the opposite side is a mirror image thereof; and,

FIG. 4 is an exploded perspective view thereof shown with a toilet and installation hardware.

The broken line showing of a toilet and installation hardware is for illustrative purposes only and forms no part of the claimed design.

1 Claim, 2 Drawing Sheets



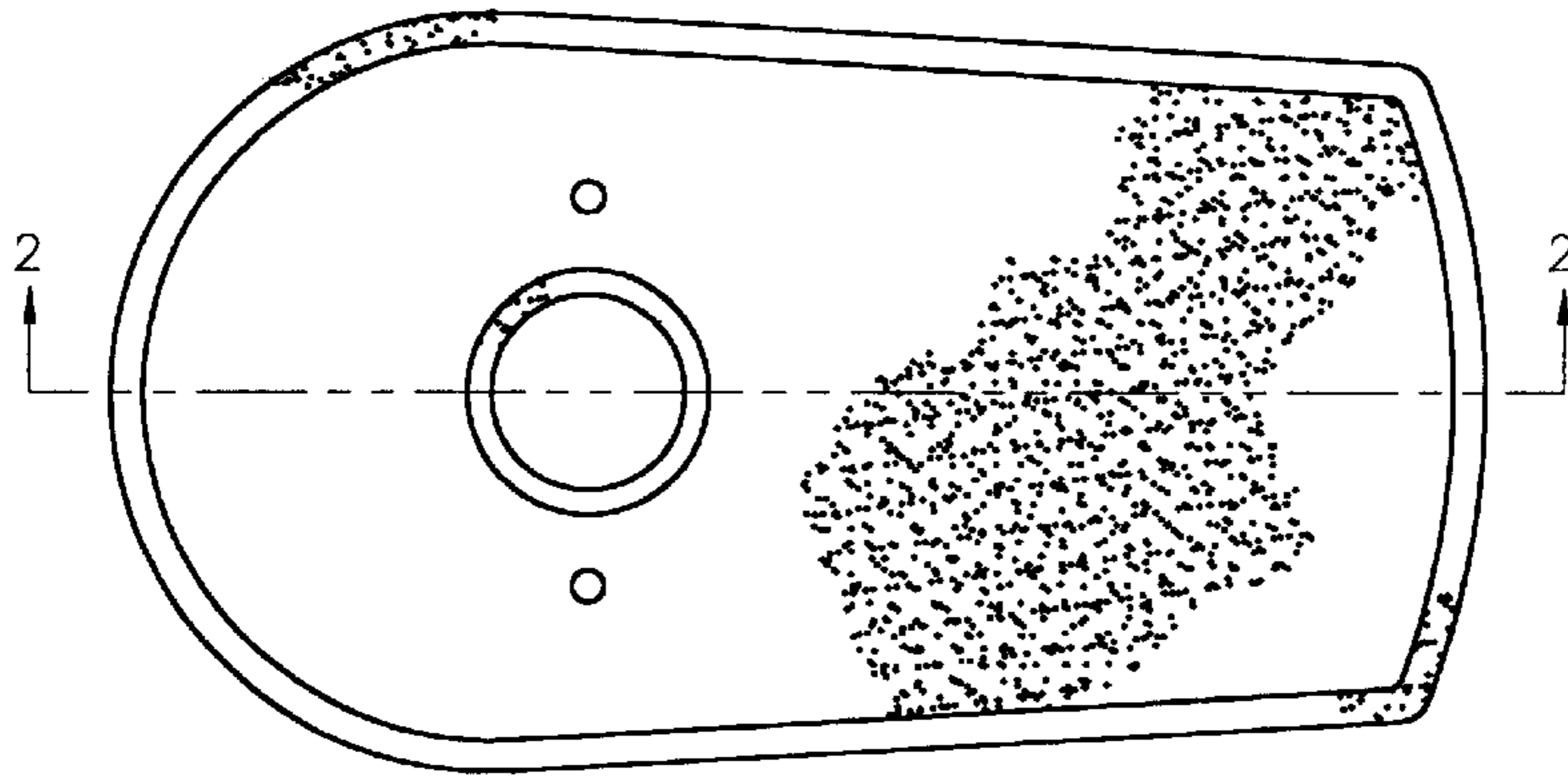


FIG. 1

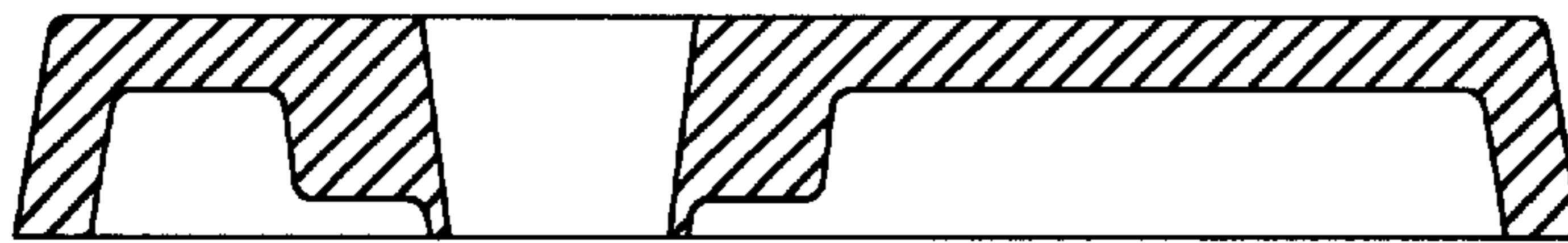


FIG. 2

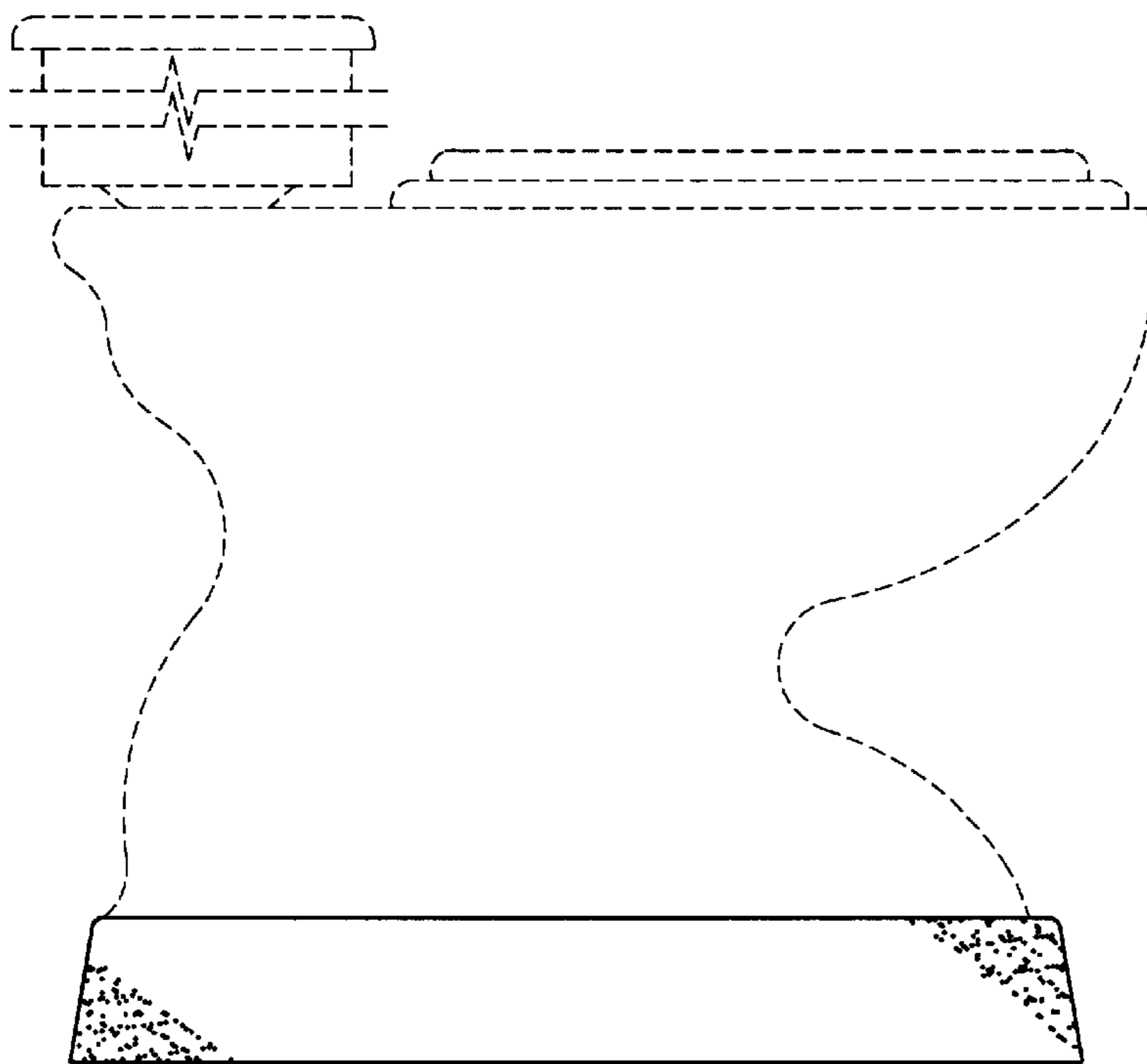


FIG. 3

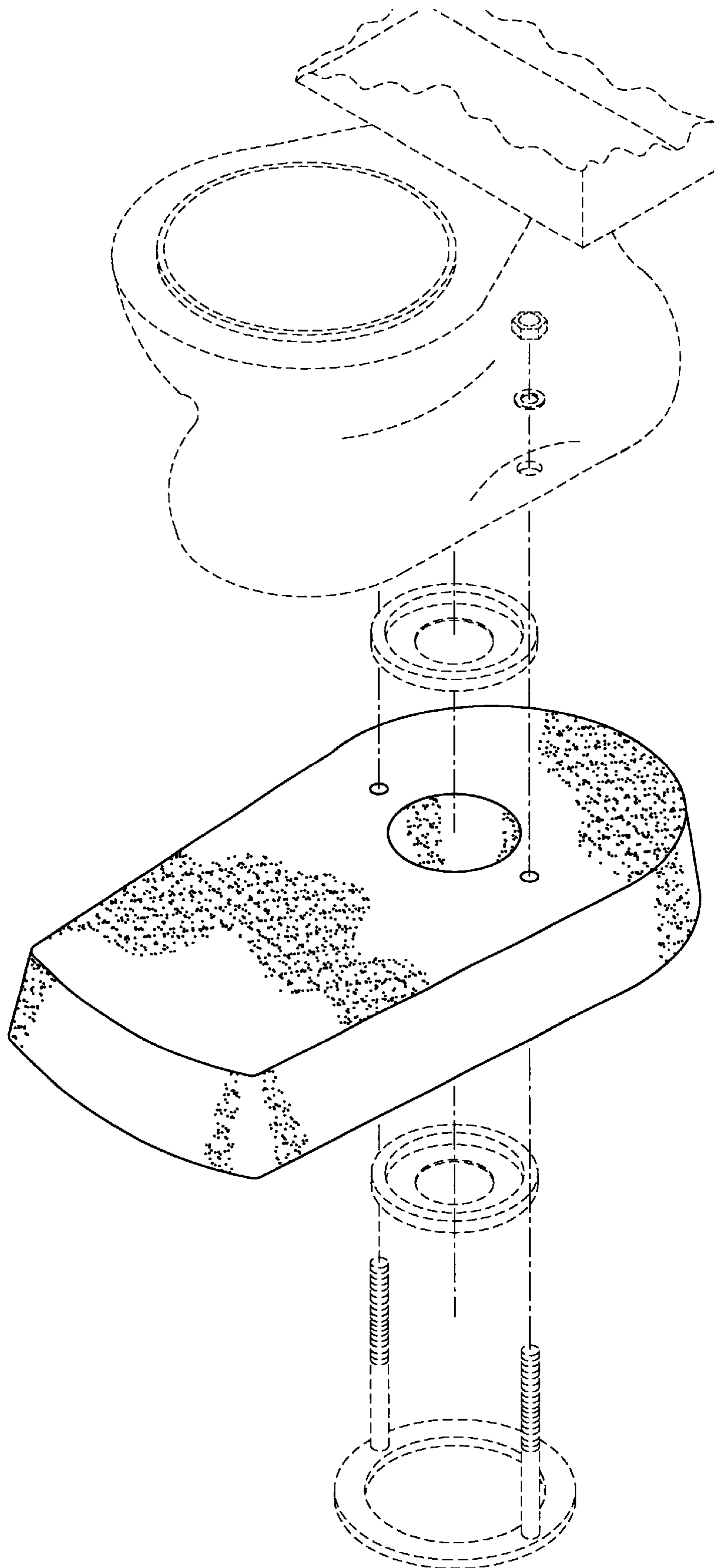


FIG.4