



US00D452554B1

(12) **United States Design Patent**
McKee et al.

(10) **Patent No.:** **US D452,554 S**

(45) **Date of Patent:** **** Dec. 25, 2001**

(54) **PUMP THERMAL PROTECTOR DEVICE**

5,105,988 * 4/1992 Knickerbocker 220/89.1
5,551,470 * 9/1996 Duvall 220/89.4

(75) Inventors: **Sheila McKee**, St. Paul; **Brian A. Kocher**, Blaine, both of MN (US)

* cited by examiner

(73) Assignee: **GP Companies, Inc.**, Mendota Heights, MN (US)

Primary Examiner—Robin V. Taylor

(74) *Attorney, Agent, or Firm*—Oppenheimer Wolff & Donnelly; Steven C. Lieske

(**) Term: **14 Years**

(57) **CLAIM**

(21) Appl. No.: **29/131,899**

The ornamental design for a pump thermal protector device, substantially as shown and described.

(22) Filed: **Oct. 30, 2000**

DESCRIPTION

(51) **LOC (7) Cl.** **23-01**

(52) **U.S. Cl.** **D23/233; D9/448**

(58) **Field of Search** D23/233–236;
D9/448, 450, 300; 220/89.1, 89.4; 137/843,
853

FIG. 1 is a perspective view of a pump thermal protector device;

FIG. 2 is a front view of the pump thermal protector device of FIG. 1;

FIG. 3 is a left side view of the pump thermal protector device of FIG. 1, wherein the right side view is a mirror image; and,

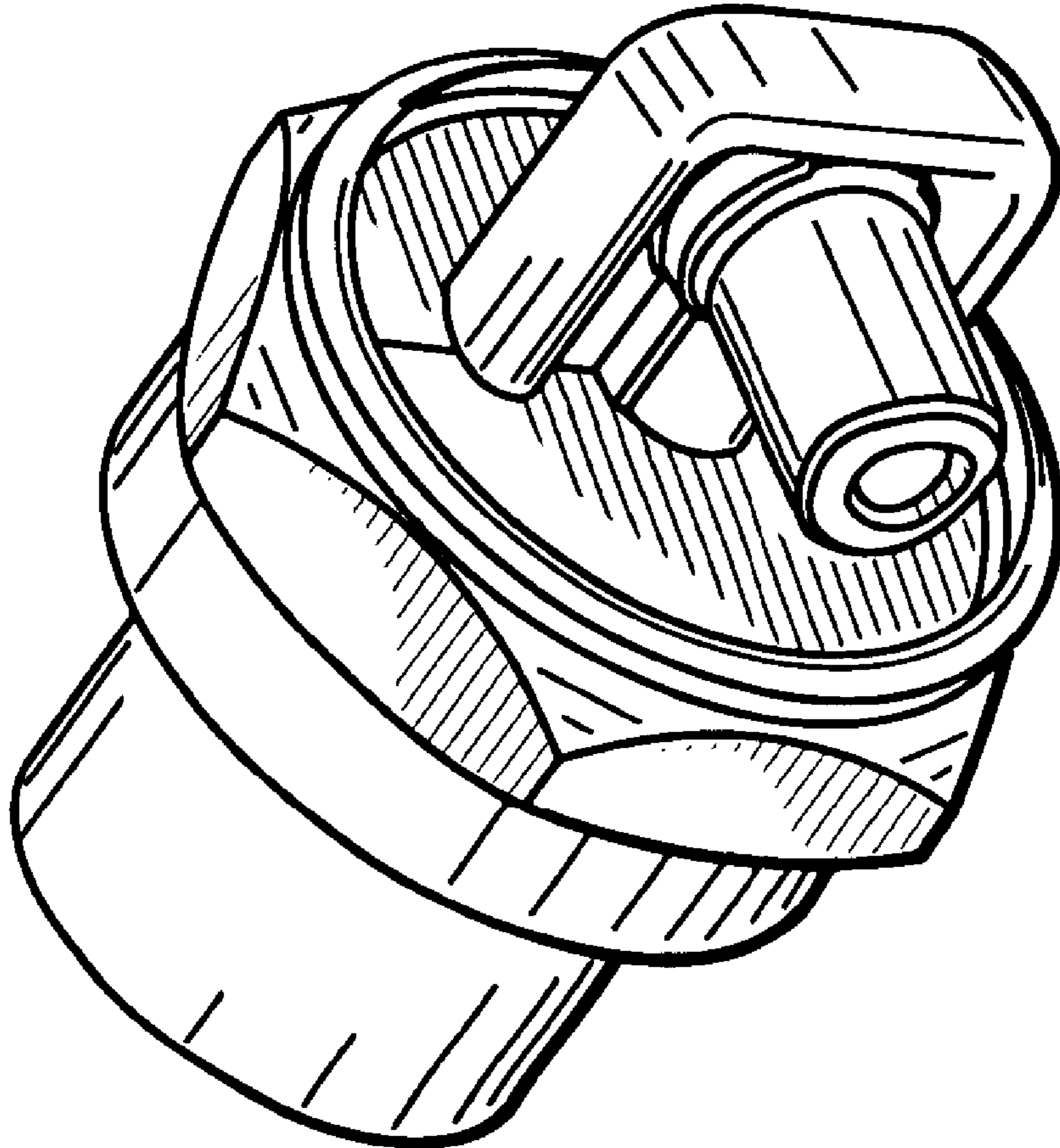
FIG. 4 is a top side view of the pump thermal protector device of FIG. 1.

(56) **References Cited**

U.S. PATENT DOCUMENTS

- D. 370,963 * 6/1996 Daansen D23/235
- D. 402,203 * 12/1998 De Laforcade D9/448
- D. 442,670 * 5/2001 Maddox et al. D23/213

1 Claim, 1 Drawing Sheet



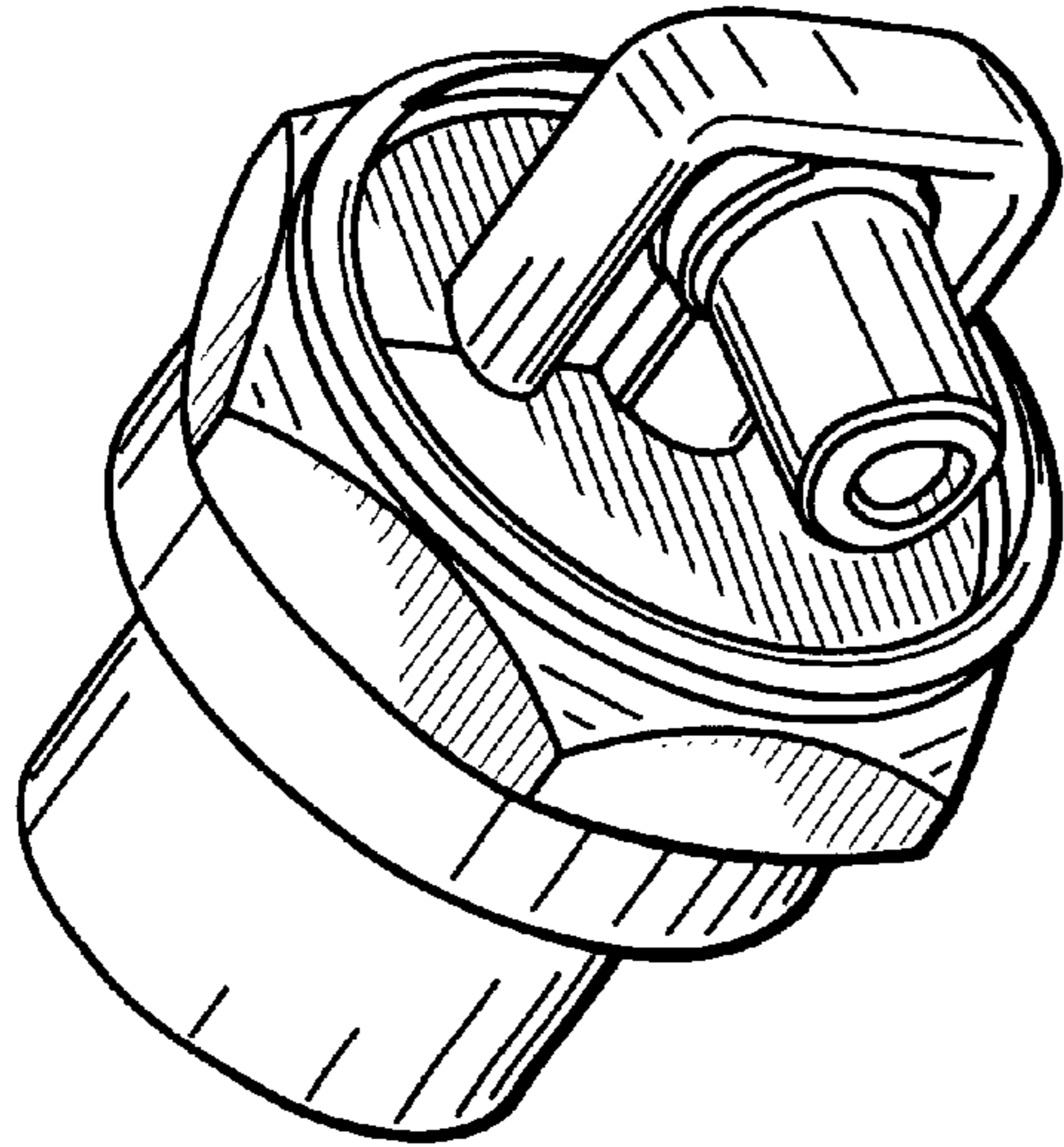


FIG. 1

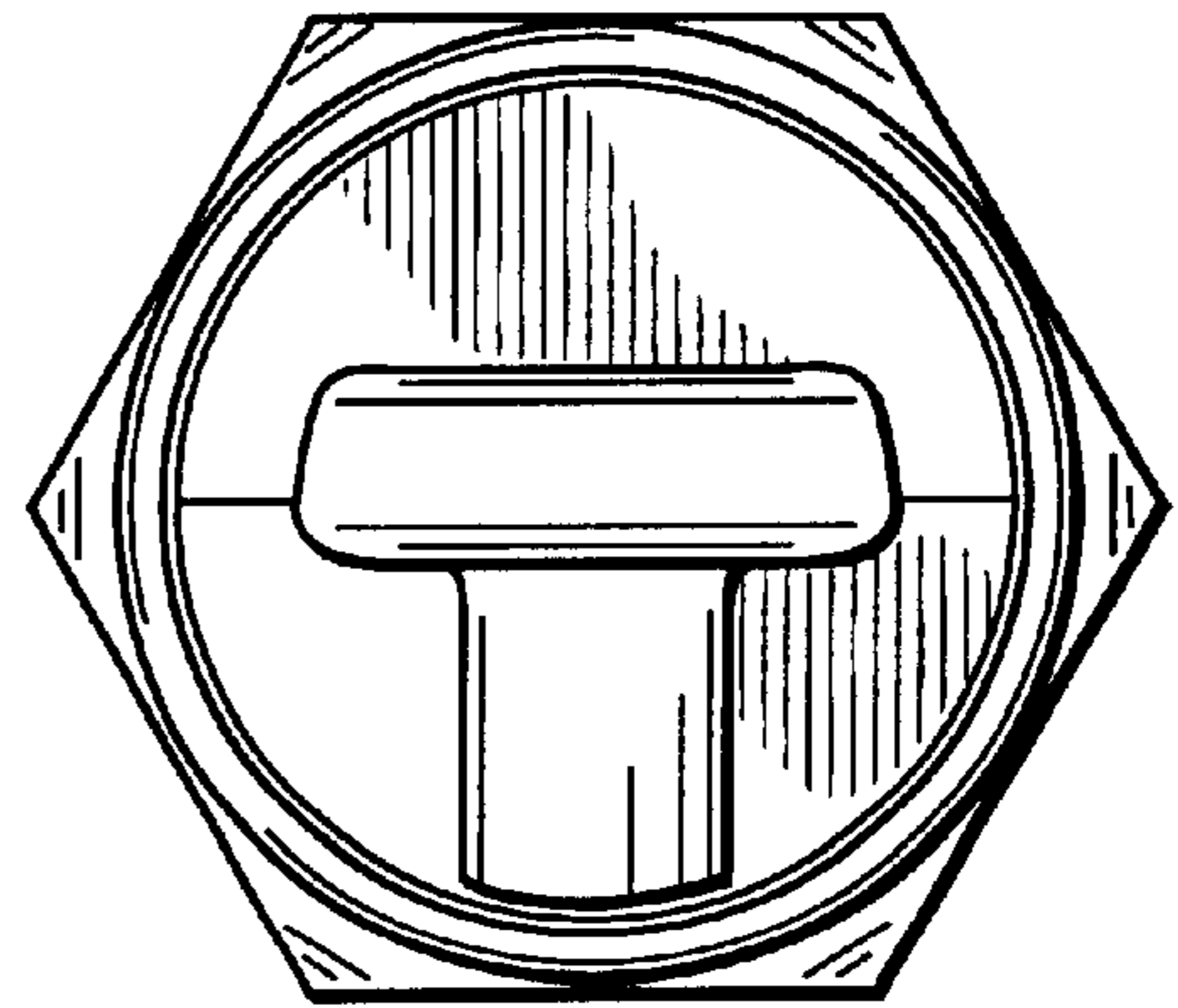


FIG. 2

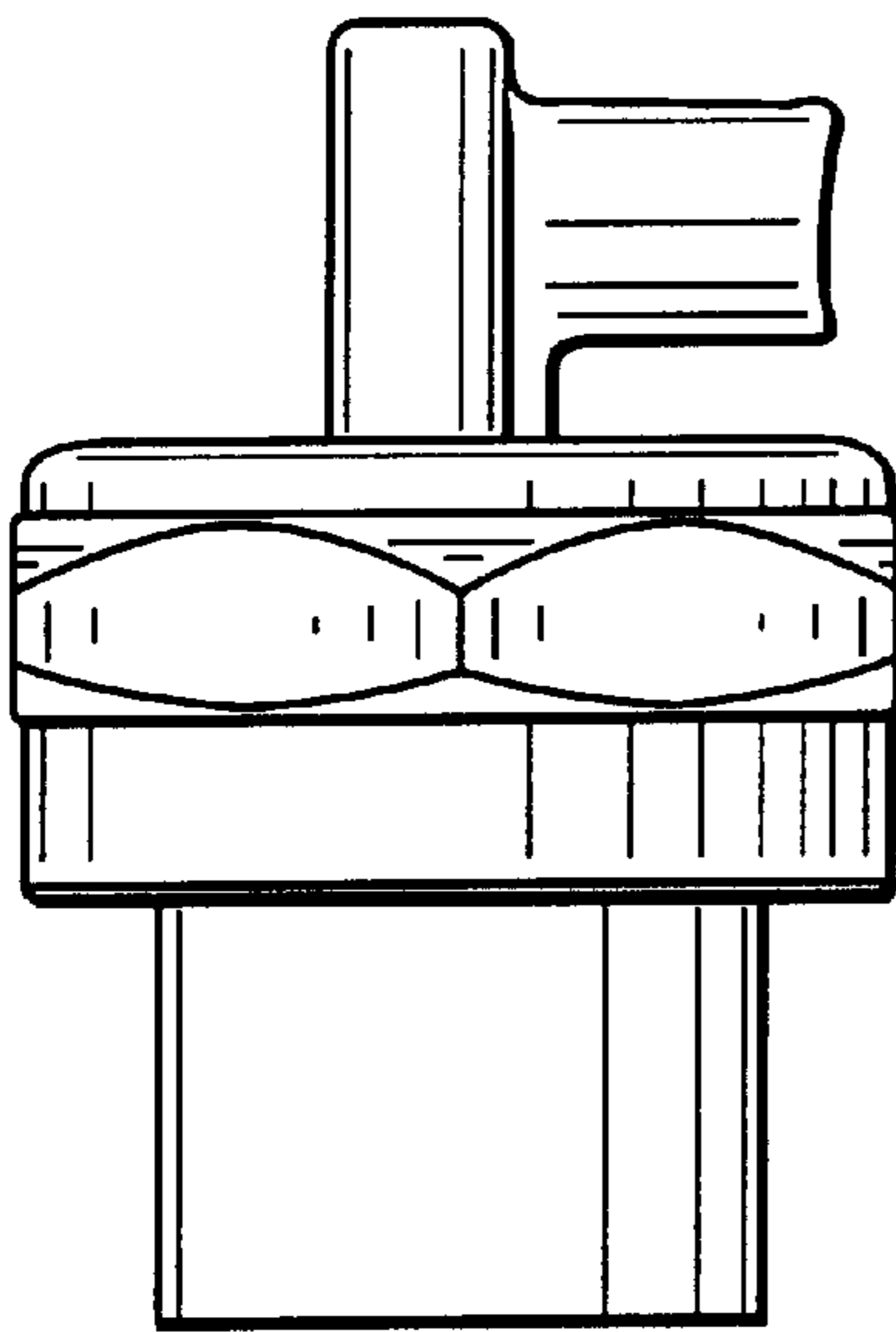


FIG. 3

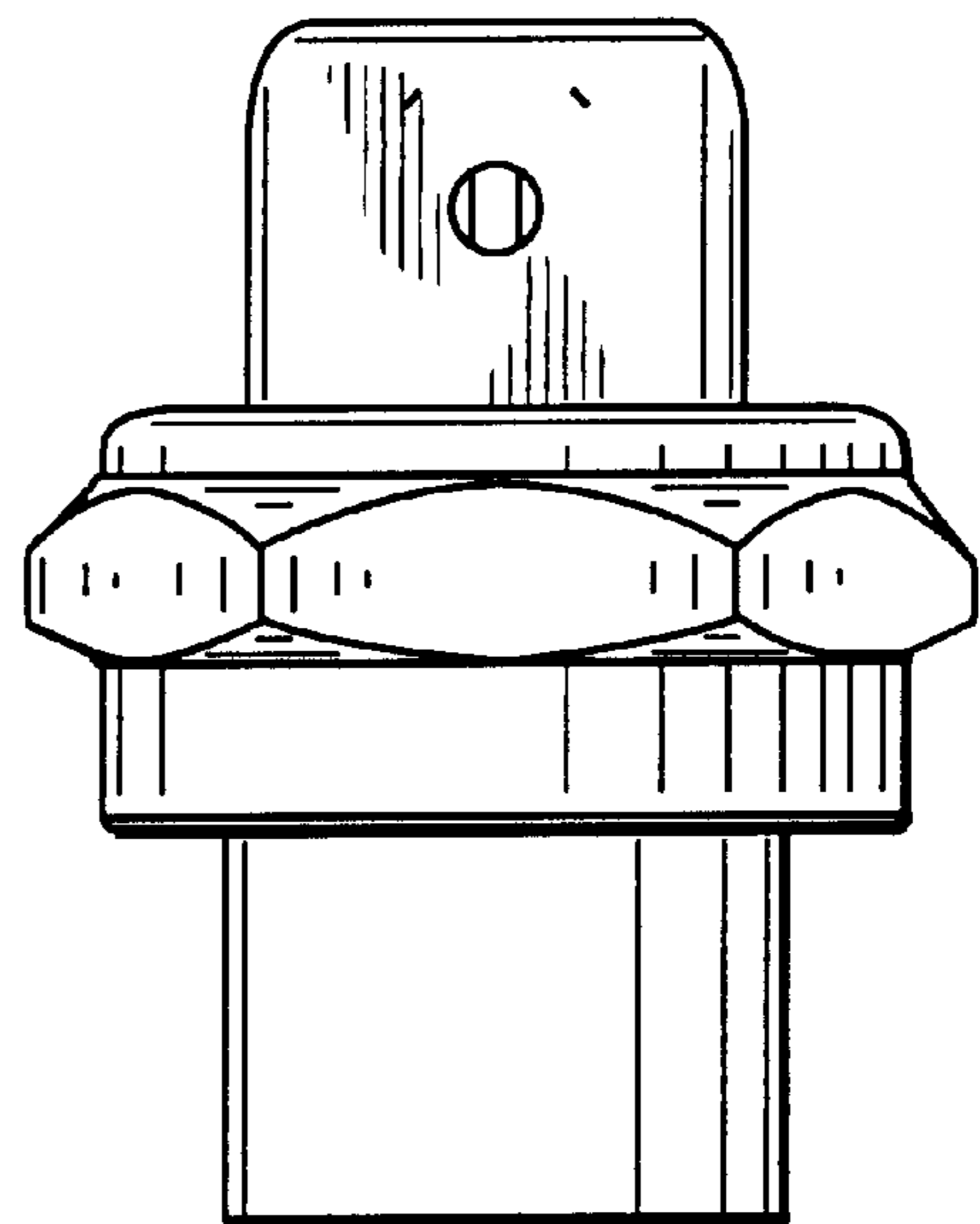


FIG. 4