



US00D452553B1

(12) **United States Design Patent**
Lindholm et al.

(10) **Patent No.:** **US D452,553 S**

(45) **Date of Patent:** **** Dec. 25, 2001**

(54) **EURO LARGE WALL-MOUNT SHOWER HEAD**

(75) Inventors: **Jon W. Lindholm**, Chicago; **Antonio J. Belton**, Hazel Crest, both of IL (US)

(73) Assignee: **Water Pik, Inc.**, Fort Collins, CO (US)

(**) Term: **14 Years**

(21) Appl. No.: **29/133,982**

(22) Filed: **Dec. 12, 2000**

(51) **LOC (7) Cl.** **23-01**

(52) **U.S. Cl.** **D23/229**

(58) **Field of Search** D23/213, 223,
D23/226, 229, 230; 239/461, 462, 394

(56) **References Cited**

U.S. PATENT DOCUMENTS

D. 126,433	4/1941	Enthof .	
204,333	5/1878	Josias .	
D. 237,708	11/1975	Grohe et al.	D23/35
D. 245,858	9/1977	Grube	D23/35
D. 245,860	9/1977	Grube	D23/35
D. 251,045	2/1979	Grube .	
D. 255,626	7/1980	Grube .	
D. 258,677	3/1981	Larsson .	
D. 261,300	10/1981	Klose	D23/35
D. 261,417	10/1981	Klose	D23/213
D. 266,212	9/1982	Haug .	
D. 267,582	1/1983	Mackay et al. .	
D. 268,611	4/1983	Klose .	
D. 274,457	6/1984	Haug .	
D. 295,437	4/1988	Fabian .	
D. 296,582	7/1988	Haug et al. .	
D. 313,267	12/1990	Lenci et al.	D23/213
D. 315,191	3/1991	Mikol	D23/213
D. 317,348	6/1991	Geneve et al. .	
D. 322,119	12/1991	Haug et al. .	
D. 323,545 *	1/1992	Ward	D23/213
D. 325,769	4/1992	Haug et al.	D23/213
D. 325,770	4/1992	Haug et al.	D23/213
D. 326,311	5/1992	Lenci et al.	D23/223
D. 327,729	7/1992	Rogers	D23/223

D. 330,409	10/1992	Raffo .	
D. 332,303	1/1993	Klose .	
D. 332,994	2/1993	Huen	D23/223
D. 333,339	2/1993	Klose .	
D. 334,794	4/1993	Klose .	
D. 339,492	9/1993	Klose .	
D. 339,627	9/1993	Klose .	
D. 339,848	9/1993	Gottwald .	

(List continued on next page.)

FOREIGN PATENT DOCUMENTS

3440901	7/1985	(DE) .
726811	8/1996	(EP) .
873808	7/1942	(FR) .
1039750	10/1953	(FR) .
2066704	7/1981	(GB) .

OTHER PUBLICATIONS

Color Copy, Labeled 1A, Gemlo, available at least as early as the filing date.

Color Copy, Labeled 1B, Gemlo, available at least as early as the filing date.

Primary Examiner—Robin V. Taylor

(74) *Attorney, Agent, or Firm*—Dorsey & Whitney LLP

(57) **CLAIM**

The ornamental design for a euro large wall-mount shower head, as shown and described.

DESCRIPTION

FIG. 1 is a right side perspective view of a euro large wall-mount shower head showing our new design;

FIG. 2 is a front elevation view thereof;

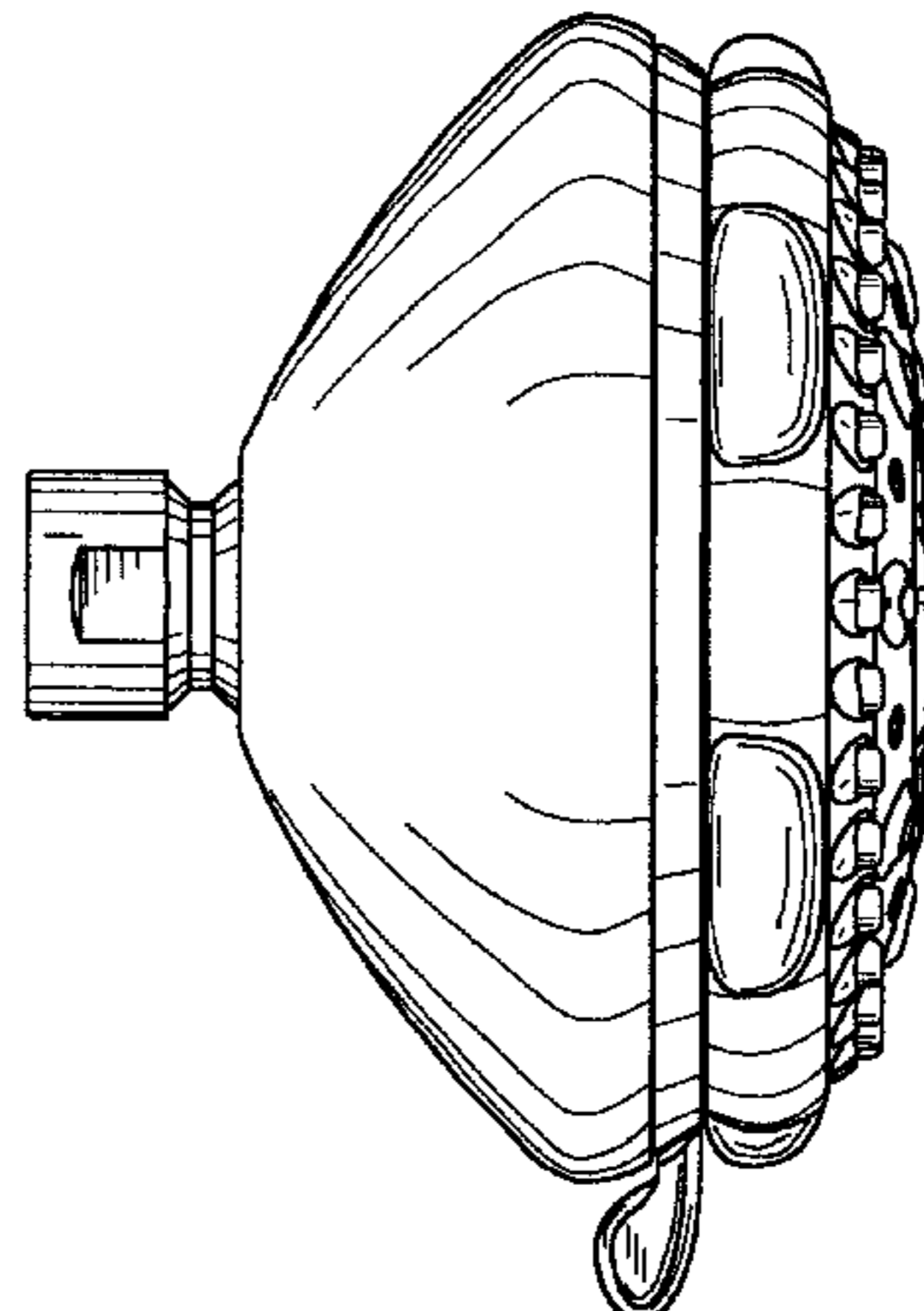
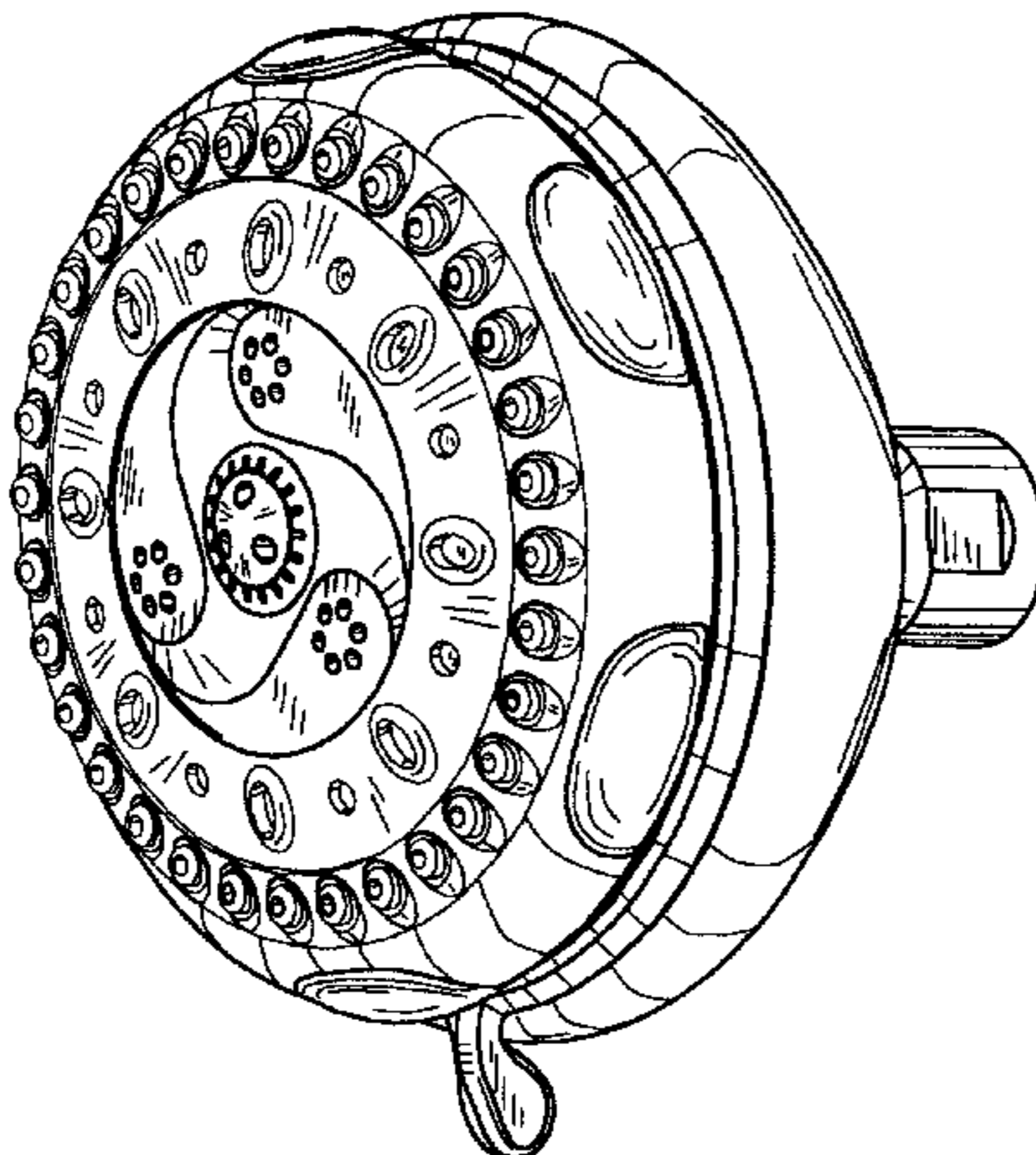
FIG. 3 is a left side elevation view thereof, of which the right side elevation view is a mirror image;

FIG. 4 is a top plan view thereof;

FIG. 5 is a rear elevation view thereof; and,

FIG. 6 is a bottom plan view thereof.

1 Claim, 3 Drawing Sheets



US D452,553 S

Page 2

U.S. PATENT DOCUMENTS				
		4,117,979	10/1978	Lagarelli et al. 239/449
		4,151,955	5/1979	Stouffer 239/11
D. 340,376	10/1993	4,151,957	5/1979	Gecewicz et al. 239/381
D. 341,007	11/1993	4,165,837	8/1979	Rundzaitis 239/449
D. 341,191	11/1993	4,174,822	11/1979	Larsson .
D. 347,265	5/1994	4,209,132	6/1980	Kwan 239/381
D. 348,720	7/1994	4,254,914	3/1981	Shames et al. 239/383
D. 349,947	8/1994	4,303,201	12/1981	Elkins et al. 239/391
D. 352,347	11/1994	4,319,608	3/1982	Raikov et al. 251/126
D. 355,703	2/1995	4,614,303	9/1986	Moseley, Jr. et al. 239/499
D. 361,623	8/1995	4,657,185	4/1987	Rundzaitis 239/438
D. 367,315	2/1996	4,703,893	11/1987	Gruber 239/391
D. 367,696	3/1996	4,719,654	1/1988	Blessing .
D. 369,204	4/1996	4,754,928	7/1988	Rogers et al. 239/381
D. 369,205	4/1996	4,787,591	11/1988	Villacorta .
D. 370,052	5/1996	4,914,759	4/1990	Goff .
D. 374,271	10/1996	4,953,585	9/1990	Rollini et al. 137/218
D. 375,541	11/1996	4,964,573	10/1990	Lipski .
D. 381,737	7/1997	5,033,897	7/1991	Chen 137/218
D. 382,936	8/1997	5,141,016	8/1992	Nowicki 137/872
D. 385,332	10/1997	5,172,866	12/1992	Ward 239/446
D. 385,333	10/1997	5,232,162	8/1993	Chih 239/394
D. 385,616 *	10/1997	5,246,169	9/1993	Heimann et al. 239/447
D. 385,947	11/1997	5,265,833	11/1993	Heimann et al. .
D. 387,230	12/1997	5,277,391	1/1994	Haug et al. .
D. 389,558	1/1998	5,294,054	3/1994	Benedict et al. 239/446
D. 395,074	6/1998	5,297,735	3/1994	Heimann et al. .
D. 408,893 *	4/1999	5,340,064	8/1994	Heimann et al. .
D. 434,109 *	11/2000	5,344,080	9/1994	Matsui 239/449
D. 435,889 *	1/2001	5,397,064	3/1995	Heitzman 239/381
D. 443,025 *	5/2001	5,398,872	3/1995	Joubran 239/99
D. 443,029 *	5/2001	5,433,384	7/1995	Chan et al. .
566,384	8/1896	5,476,225	12/1995	Chan .
1,203,466	10/1916	5,481,765	1/1996	Wang .
1,459,582	6/1923	5,499,767	3/1996	Morand 239/383
2,216,149	10/1940	5,507,436	4/1996	Ruttenberg 239/1
2,567,642	9/1951	5,551,637	9/1996	Lo 239/394
3,098,508	7/1963	5,558,278	9/1996	Gallorini 239/553.3
3,404,410	10/1968	5,577,664	11/1996	Heitzman 239/99
3,550,863	12/1970	5,613,639	3/1997	Storm et al. 239/581.1
3,826,454	7/1974	5,632,049	5/1997	Chen .
3,865,310	2/1975	5,653,260	8/1997	Huber .
3,967,783	7/1976	5,704,080	1/1998	Kuhne .
3,979,096	9/1976	5,718,380	2/1998	Schorn et al. 239/117
3,998,390	12/1976	5,749,552	5/1998	Fan .
4,081,135	3/1978	5,918,811	7/1999	Denham et al. 239/444
4,084,271	4/1978			
4,091,998	5/1978			

* cited by examiner

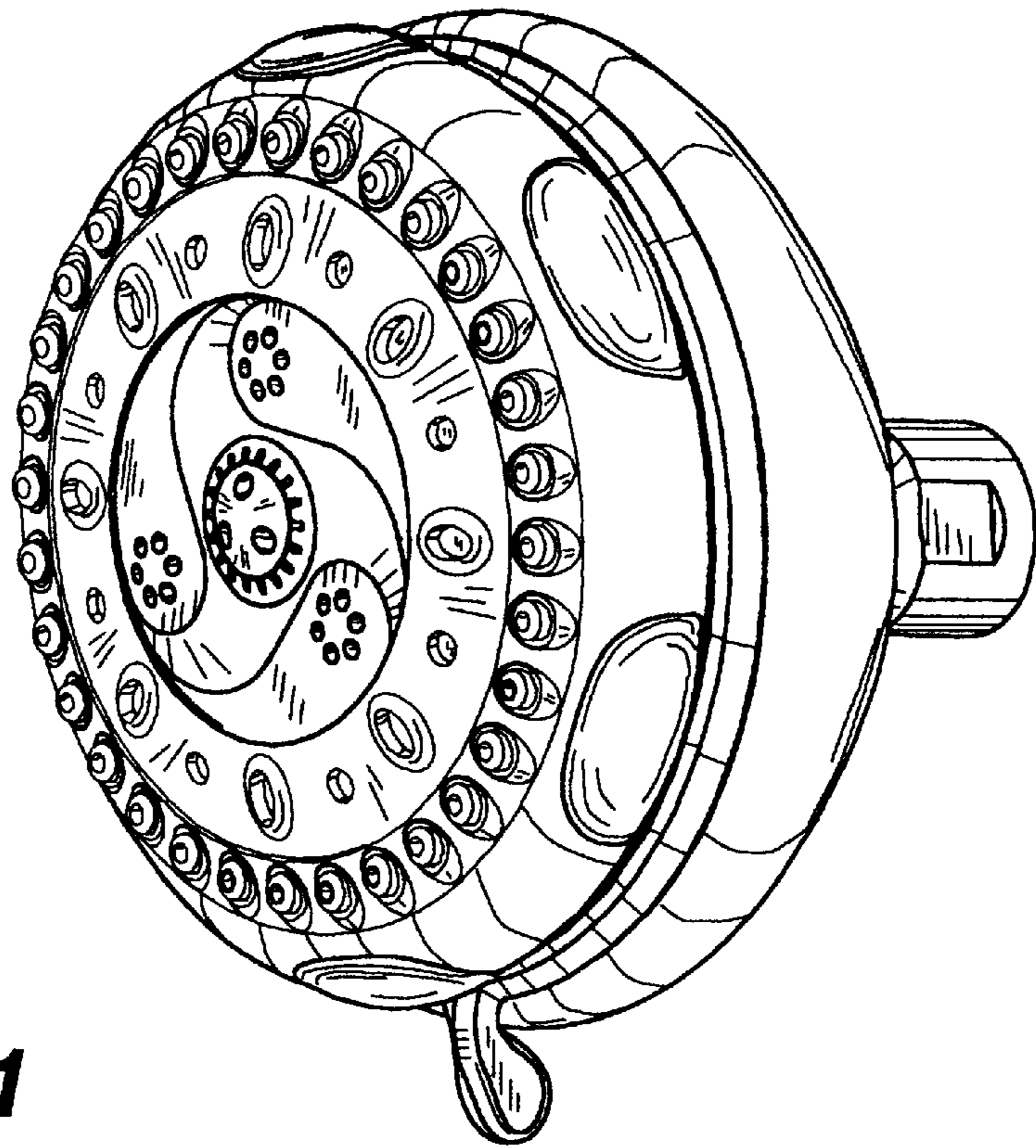


Fig. 1

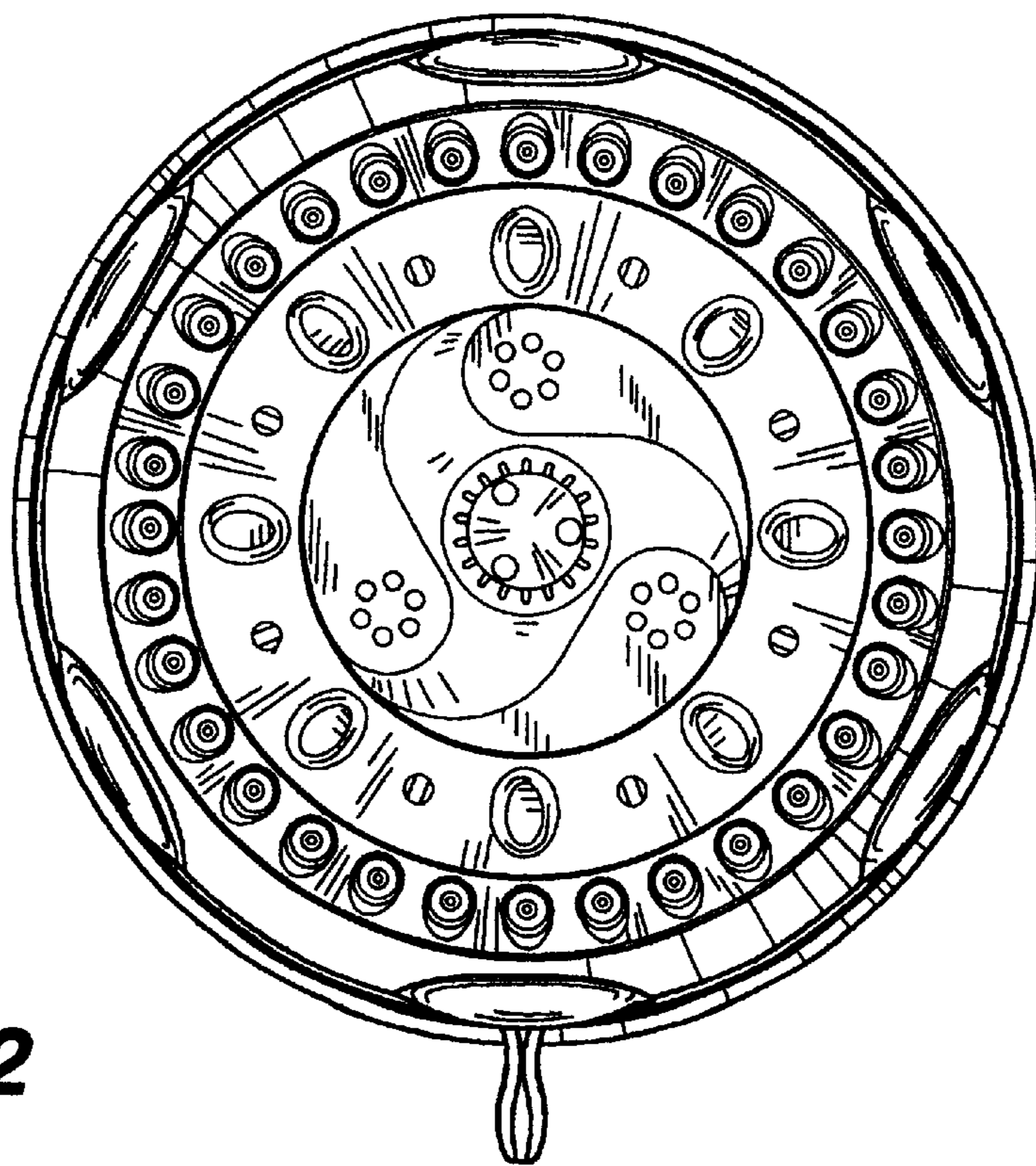


Fig. 2

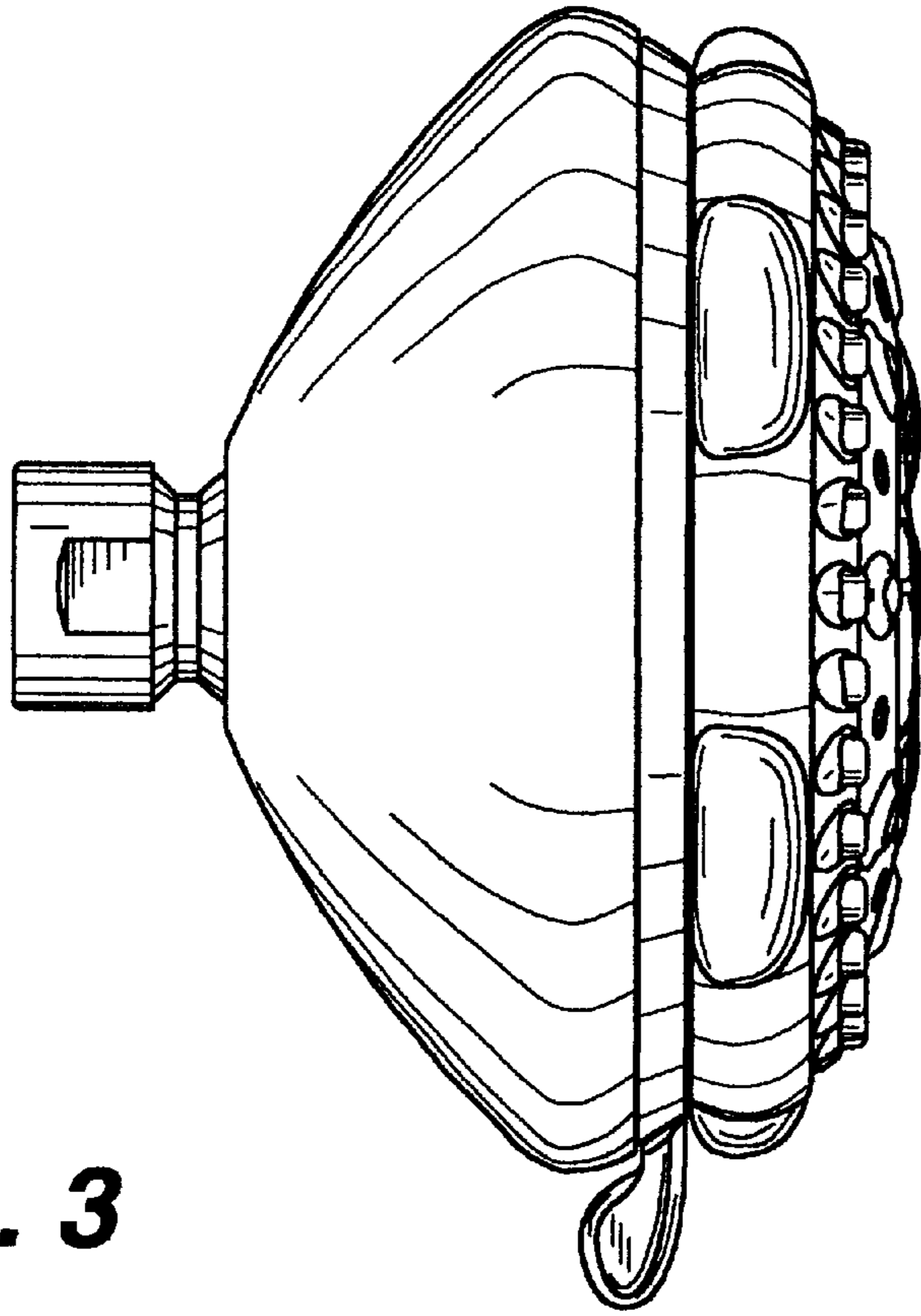


Fig. 3

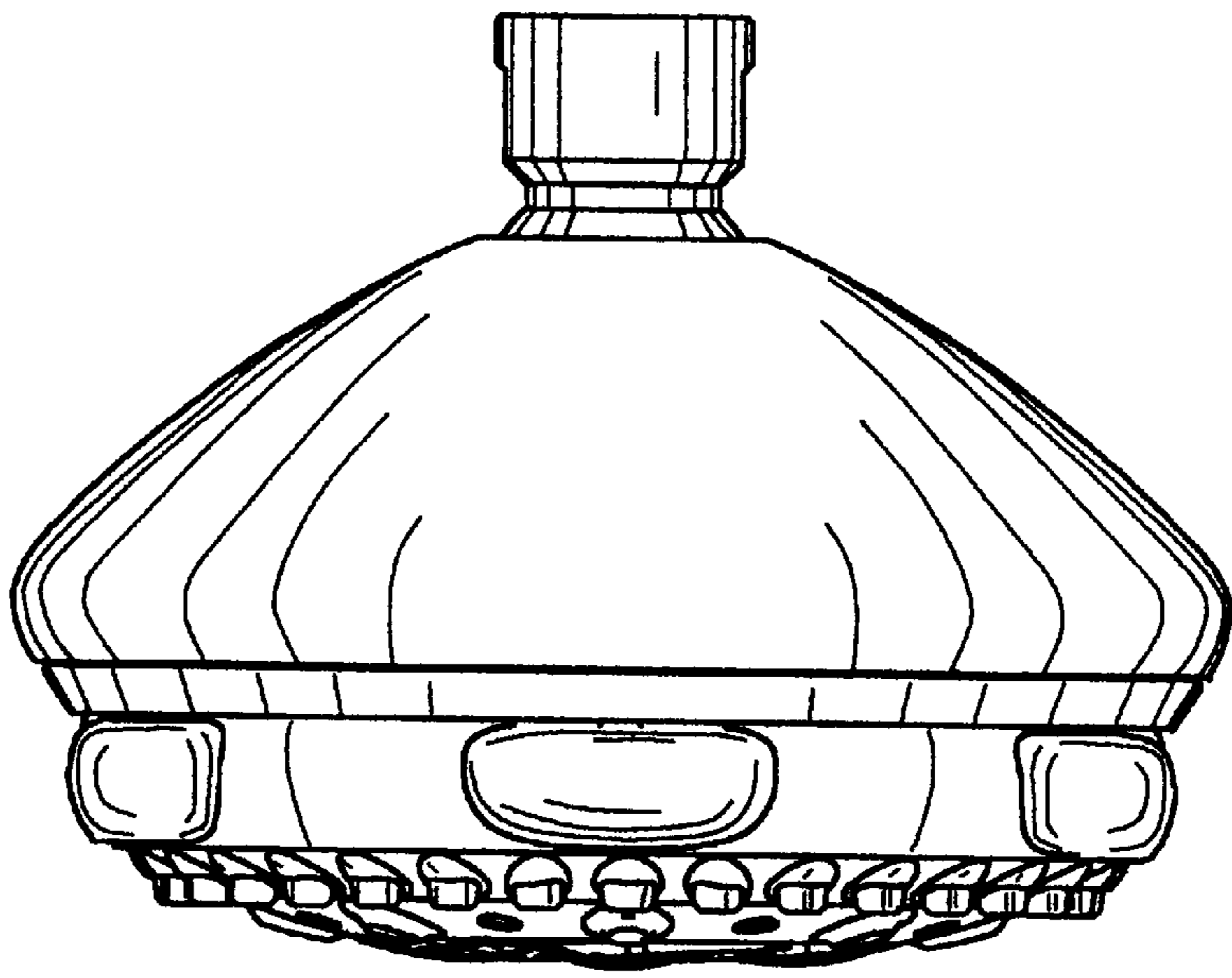


Fig. 4

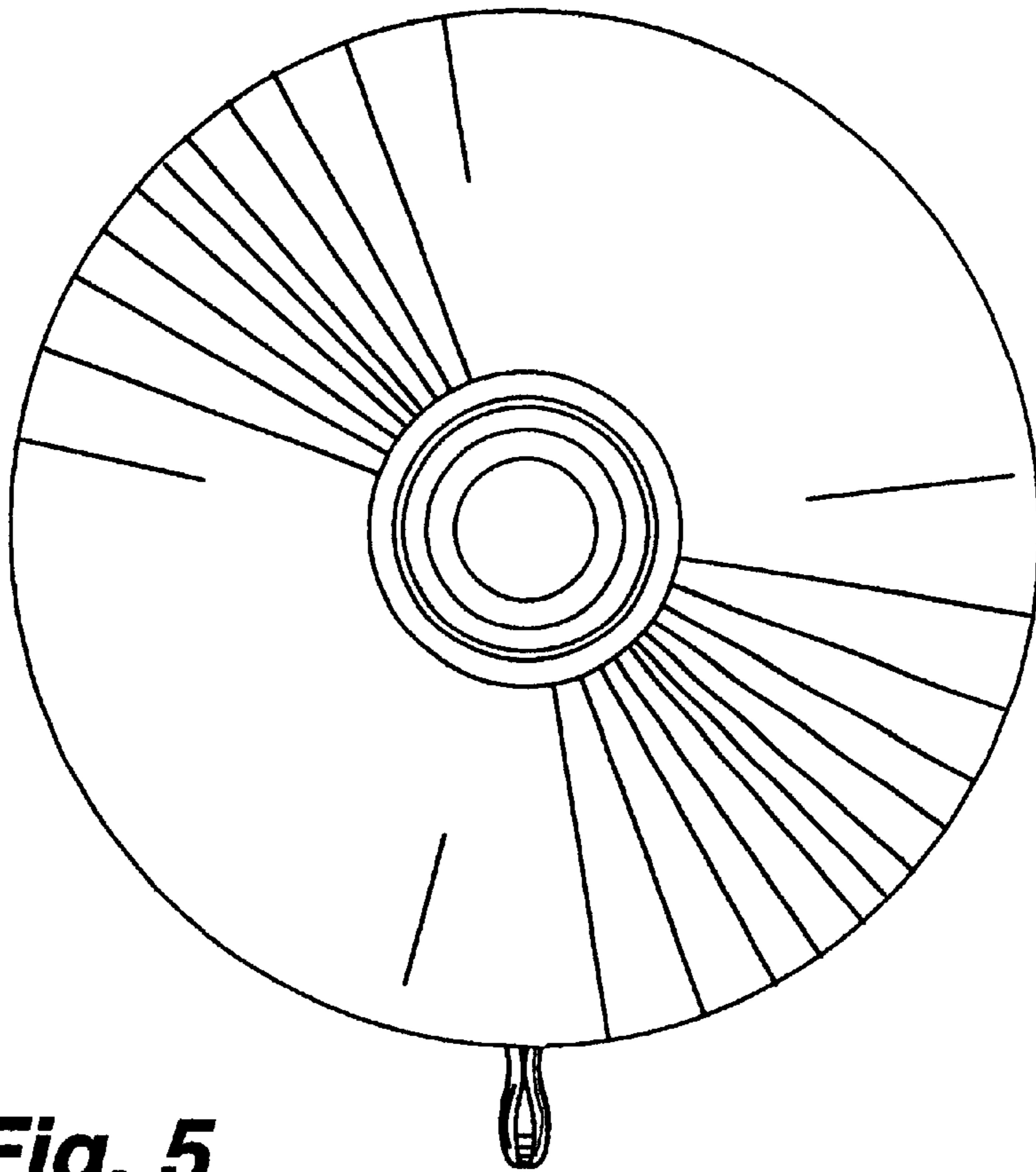


Fig. 5

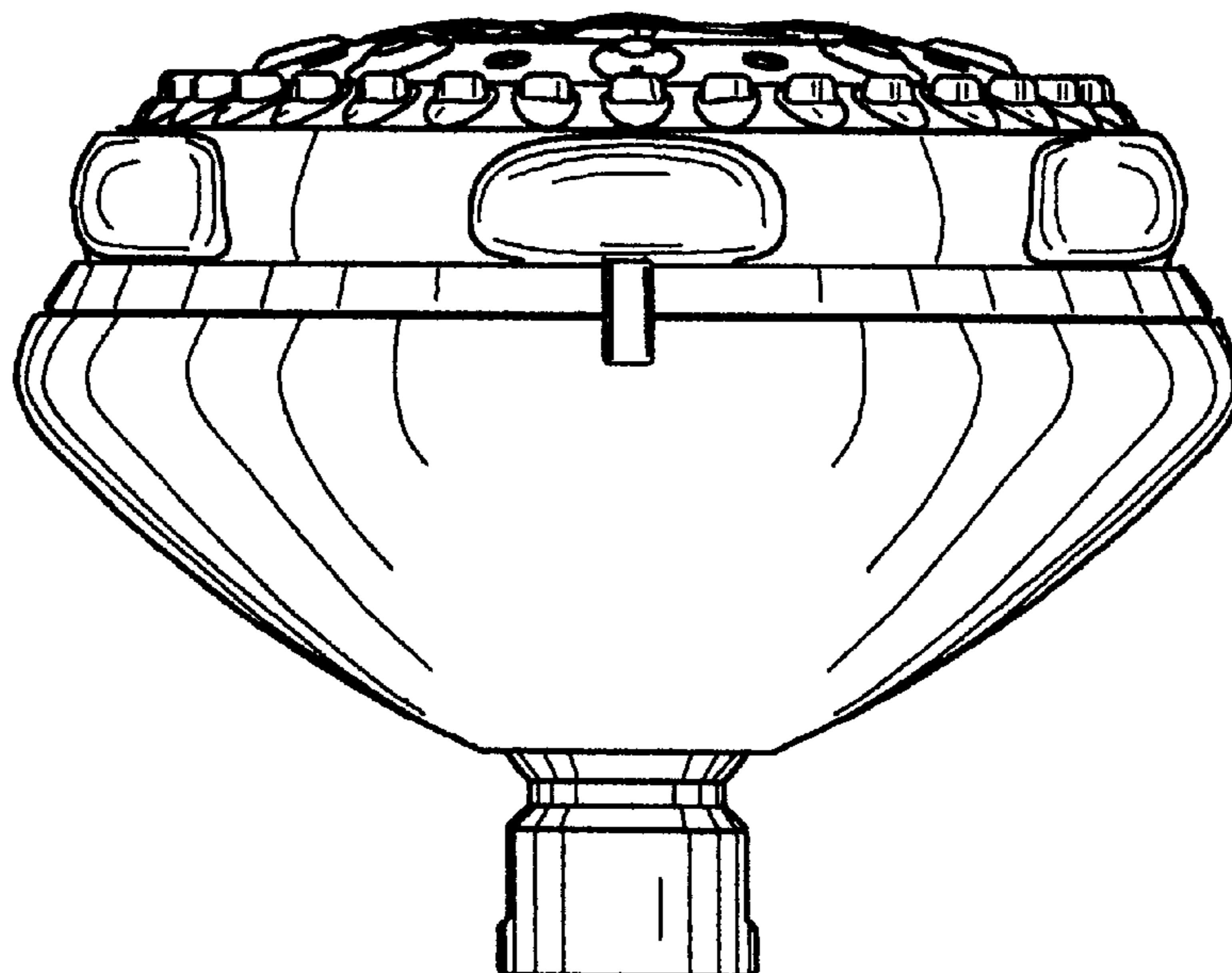


Fig. 6