



US00D452534B1

(12) **United States Design Patent**
Stewart et al.

(10) **Patent No.:** **US D452,534 S**

(45) **Date of Patent:** **** Dec. 25, 2001**

(54) **PORTION OF AN ELECTRONIC HOUSING**

(75) Inventors: **James R. Stewart**, Woodinville;
Hok-Sum Horace Luke, Mercer Island,
both of WA (US)

(73) Assignee: **Microsoft Corporation**, Redmond, WA
(US)

(**) Term: **14 Years**

(21) Appl. No.: **29/135,334**

(22) Filed: **Jan. 11, 2001**

(51) **LOC (7) Cl.** **21-01**

(52) **U.S. Cl.** **D21/333**

(58) **Field of Search** D21/324-328,
D21/333; D14/400, 401, 435, 495; 273/148 B;
463/1, 29-35, 46, 47

(56) **References Cited**

U.S. PATENT DOCUMENTS

D. 362,869	*	10/1995	Oikawa	D21/332
D. 376,822	*	12/1996	Osterhout	D21/329
D. 412,940		8/1999	Kato et al.	.	
D. 433,076	*	10/2000	Hayes	D21/333
D. 435,272	*	12/2000	Swanson et al.	D21/328
D. 435,871	*	1/2001	Yu	D21/333
5,192,082	*	3/1993	Inoue et al.	463/46
5,976,018	*	11/1999	Druckman	463/46
6,254,477	*	7/2001	Saski et al.	463/47

OTHER PUBLICATIONS

www.Amazon.com, Color Pictures of Outdoor Trekker product by V-Tech, 2 pages, (date unknown but prior to Jan. 11, 2001).

Color pictures of Gamecube video game system by Nintendo, from various internet web pages, 3 pages, (date unknown but prior to Jan. 11, 2001).

Color pictures of Playstation 2 video game system by Sony, from various internet web pages, 3 pages, (date unknown but prior to Jan. 11, 2001).

* cited by examiner

Primary Examiner—Prabhakar Deshmukh

(74) *Attorney, Agent, or Firm*—Banner & Witcoff, Ltd.

(57) **CLAIM**

The ornamental design for a portion of an electronic housing, as shown and described.

DESCRIPTION

FIG. 1 is a perspective view of a portion of an electronic housing showing our new design;

FIG. 2 is a top plan view thereof;

FIG. 3 is a front view thereof;

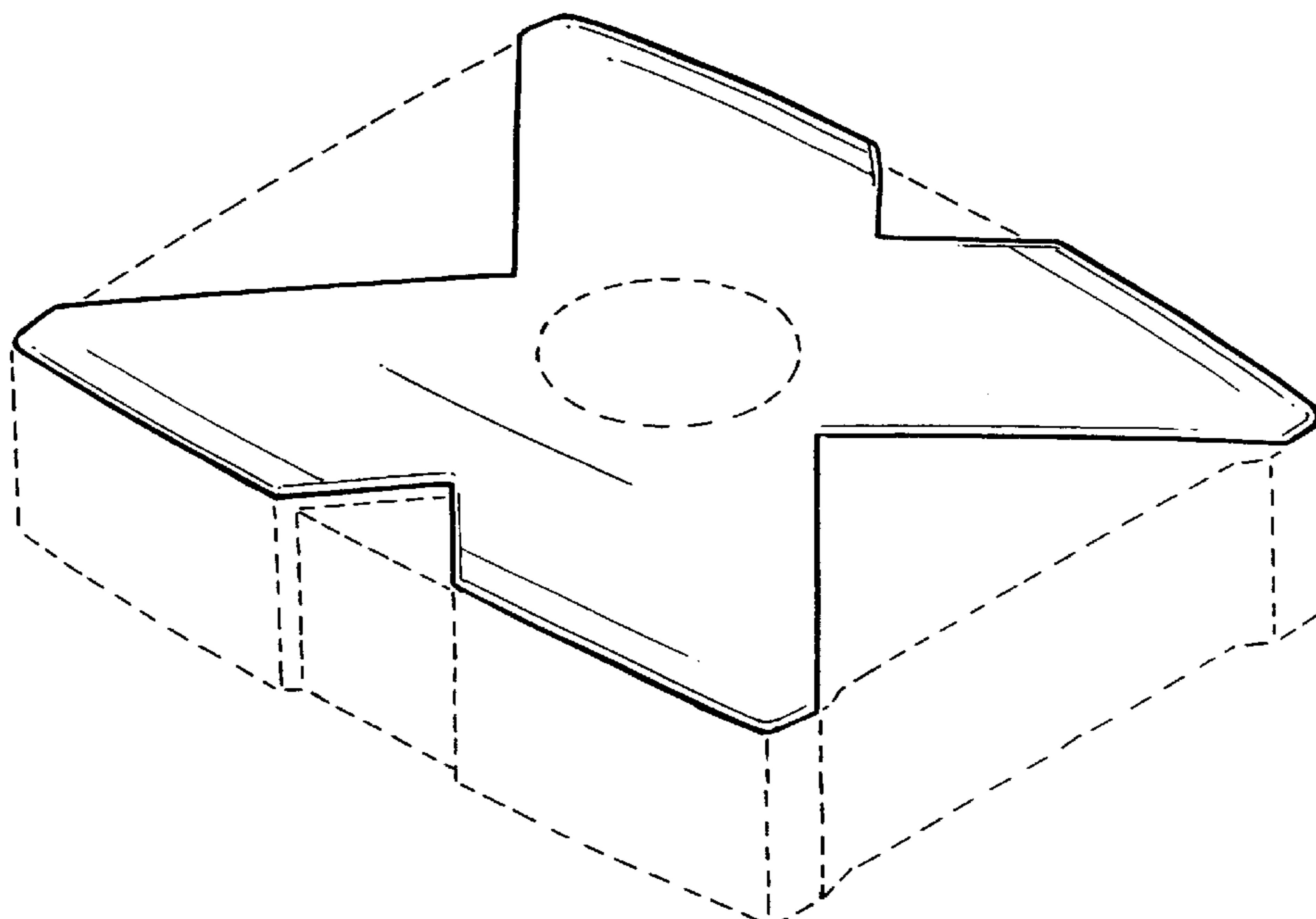
FIG. 4 is a rear view thereof;

FIG. 5 is a right side view thereof; and,

FIG. 6 is a left side view thereof.

The broken line showing of the circle within the claimed design and the remainder of the electronic housing is for illustrative purposes only and form no part of the claimed design. The unshaded region inside of the circle, and the bottom of the housing form no part of the claimed design.

1 Claim, 3 Drawing Sheets



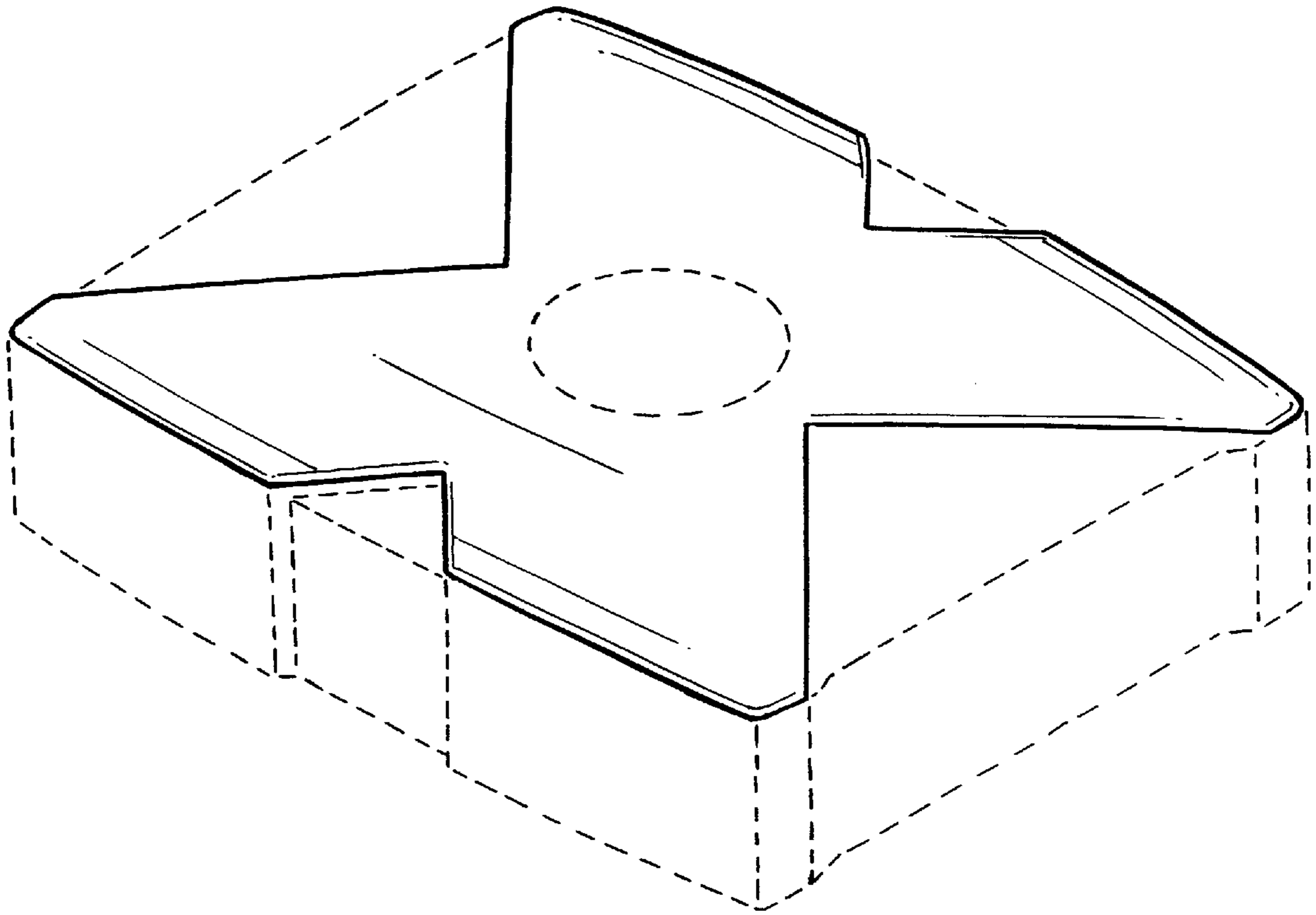


FIG. 1

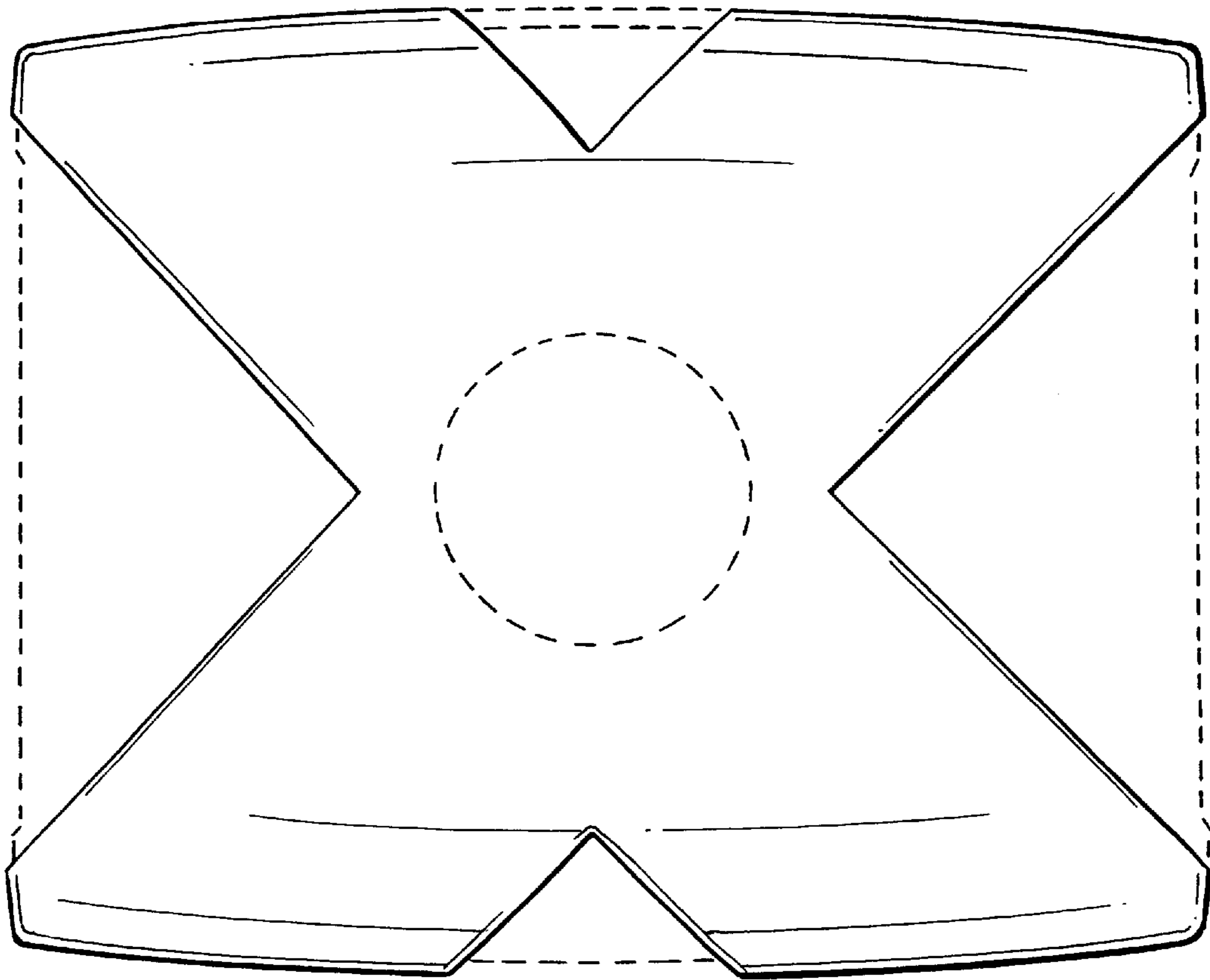


FIG. 2

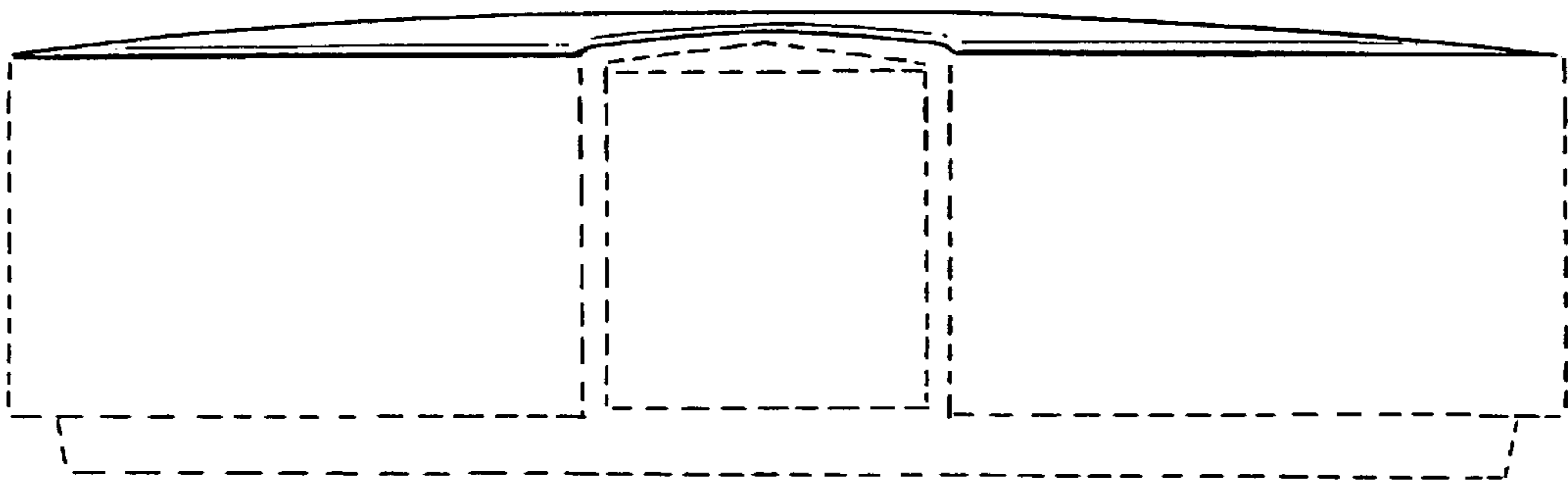


FIG. 3

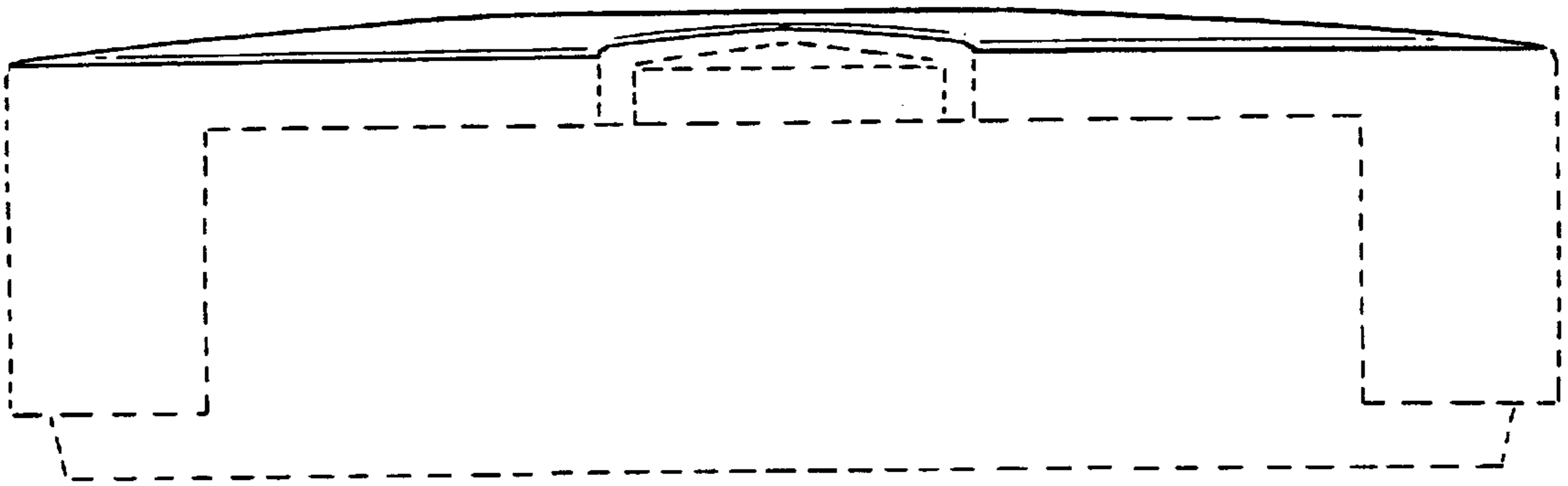


FIG. 4

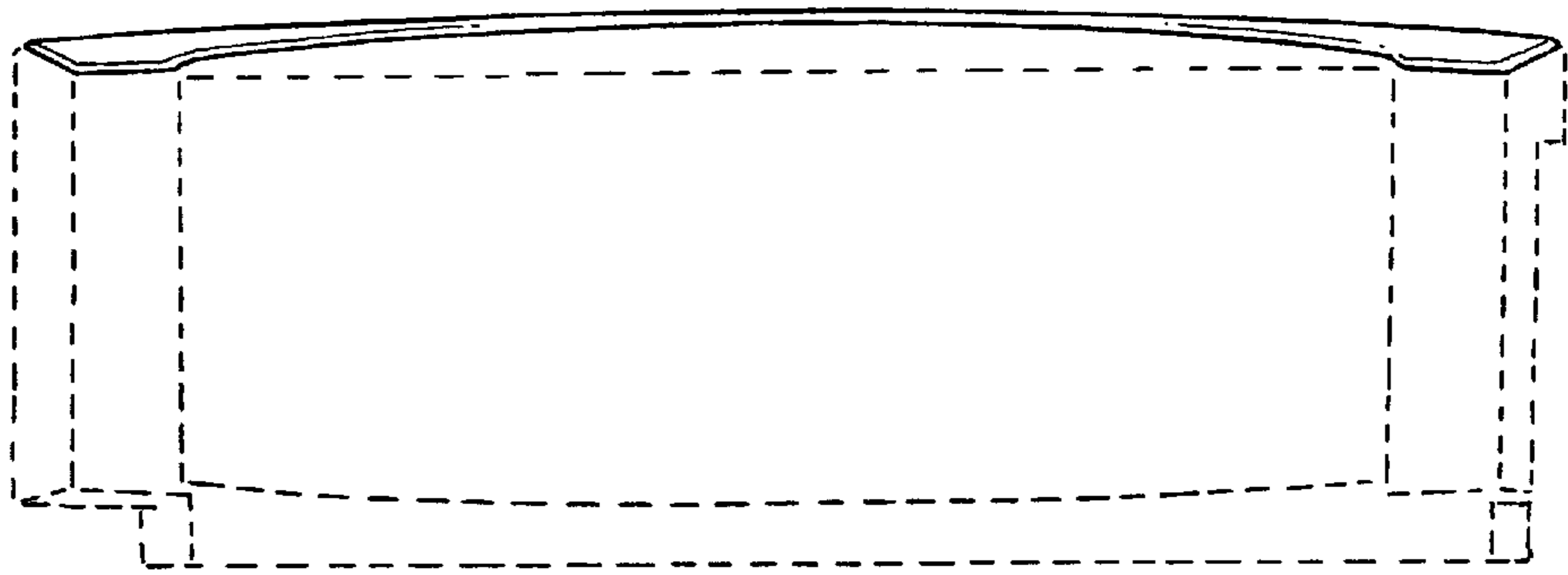


FIG. 5

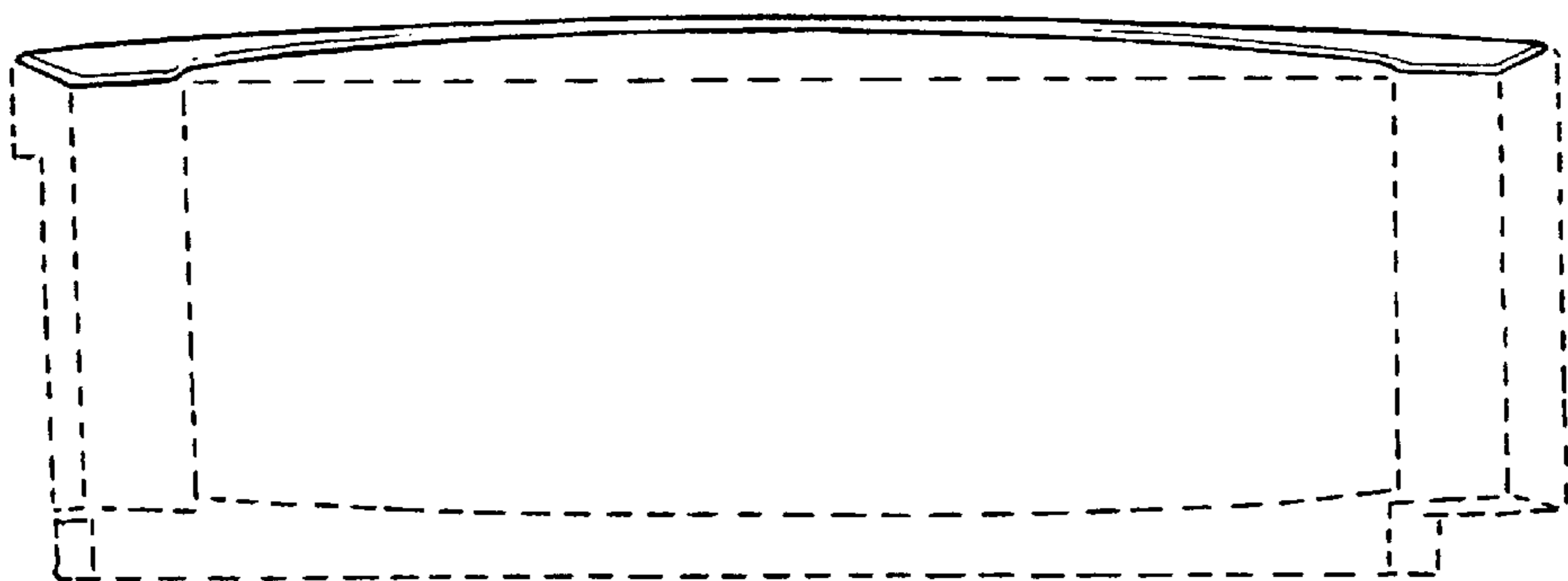


FIG. 6