



US00D452533B1

(12) **United States Design Patent**
Goodman et al.

(10) **Patent No.:** **US D452,533 S**

(45) **Date of Patent:** **** Dec. 25, 2001**

(54) **WALL-MOUNT LETTER HOLDER**

(75) Inventors: **Sheldon H. Goodman**, 30905 Stratford, Solon, OH (US) 44139; **Brian Stelmarski**, Mayfield Heights, OH (US)

(73) Assignee: **Sheldon H. Goodman**, Solon, OH (US)

(**) Term: **14 Years**

(21) Appl. No.: **29/135,547**

(22) Filed: **Jan. 12, 2001**

(51) **LOC (7) Cl.** **19-02**

(52) **U.S. Cl.** **D19/90; D6/566**

(58) **Field of Search** D19/52, 65, 75, D19/78, 86, 88, 90, 91, 92, 95, 100; 40/642.02; 248/441.1, 441.2, 445, 450, 451, 452, 453, 460, 469, 473, 910; 281/44; D6/525, 553, 566; 211/90.03, 181.1

(56) **References Cited**

U.S. PATENT DOCUMENTS

- D. 167,341 * 7/1952 Ferguson D6/566
- D. 214,474 * 6/1969 Goldstein D6/566
- D. 285,156 * 8/1986 Chap D6/566
- D. 365,239 * 12/1995 Emery et al. D6/566
- D. 429,435 * 8/2000 Walters-Dowding et al. D6/566
- D. 437,165 * 2/2001 Goodman et al. D6/566
- D. 441,242 * 5/2001 Walters-Dowding et al. D6/566

* cited by examiner

Primary Examiner—Doris V. Coles

Assistant Examiner—Elizabeth A. Albert

(74) *Attorney, Agent, or Firm*—Pearne & Gordon LLP

(57) **CLAIM**

The ornamental design for a wall-mount letter holder, as shown and described.

DESCRIPTION

FIG. 1 is a perspective view of a wall-mount letter holder showing our new design;

FIG. 2 is a front elevational view thereof;

FIG. 3 is a right side elevational view thereof, the left side view being a mirror image;

FIG. 4 is a rear elevational view thereof;

FIG. 5 is a top plan view thereof;

FIG. 6 is a bottom plan view thereof;

FIG. 7 is a perspective view of a second embodiment of a wall-mount letter holder showing our new design;

FIG. 8 is a front elevational view thereof;

FIG. 9 is a right side elevational view thereof, the left side view being a mirror image;

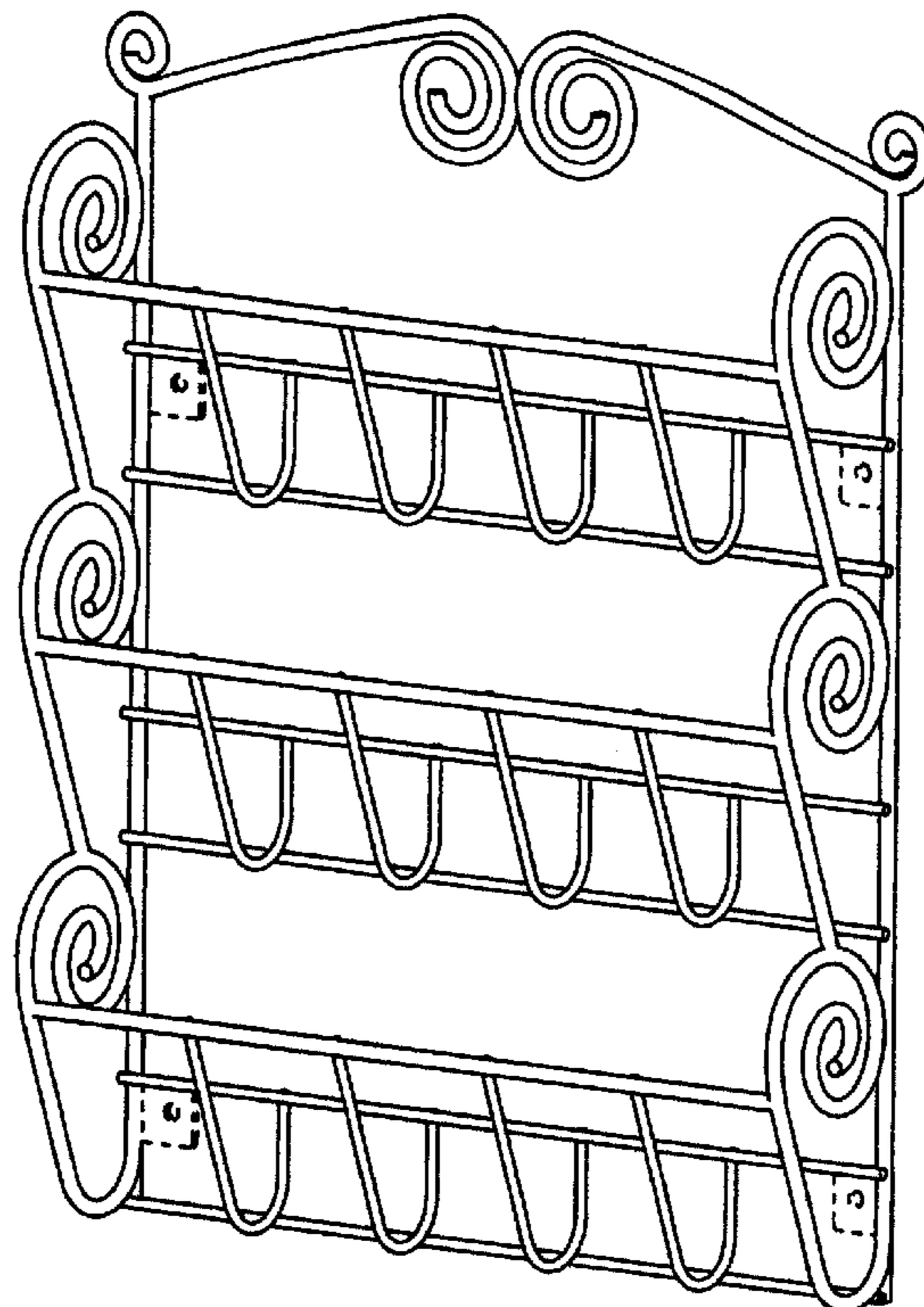
FIG. 10 is a rear elevational view thereof;

FIG. 11 is a top plan view thereof; and,

FIG. 12 is a bottom plan view thereof.

The broken-line disclosure of elements in the views is for illustrative purposes only and forms no part of the claimed design.

1 Claim, 4 Drawing Sheets



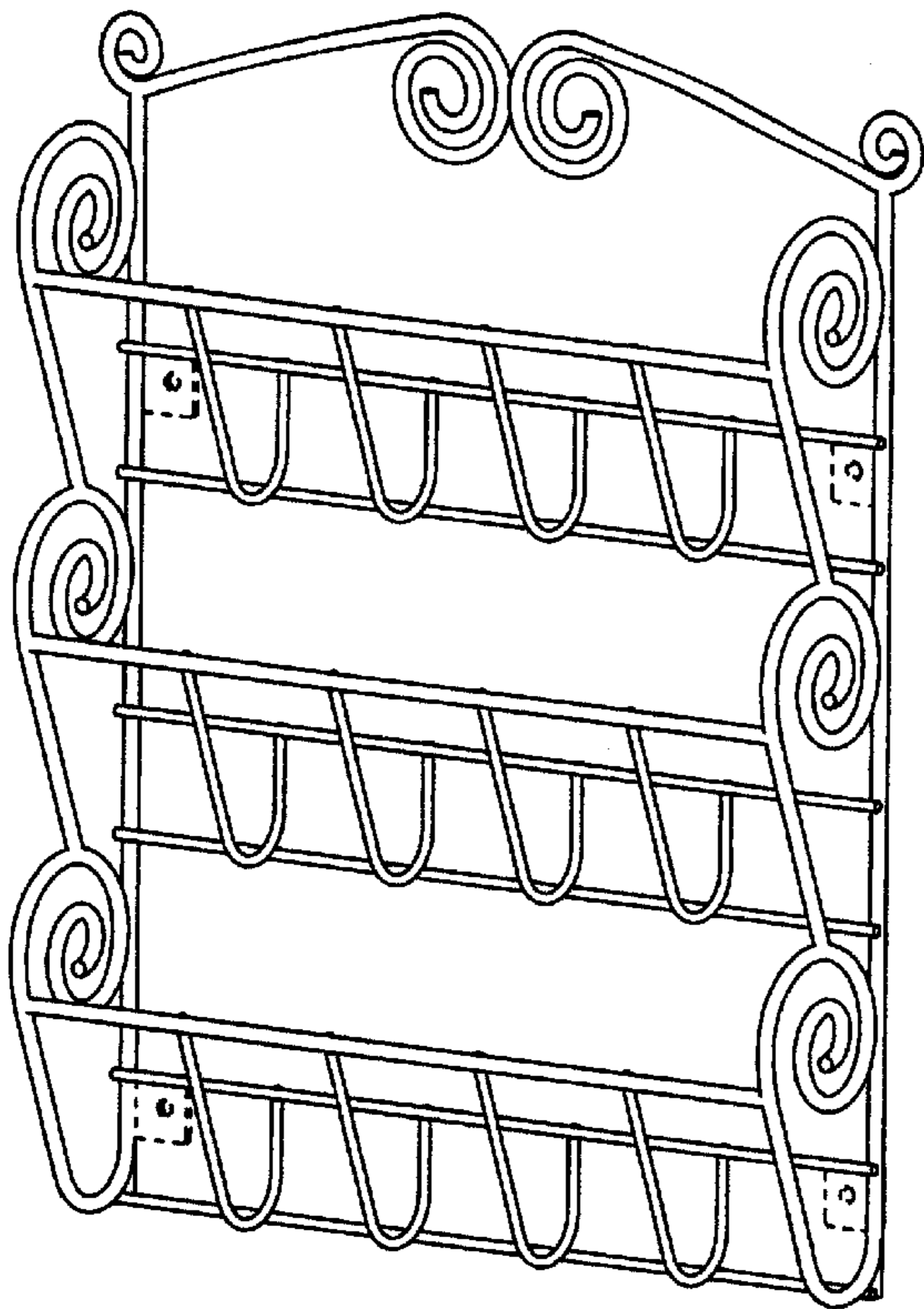


Fig. 1

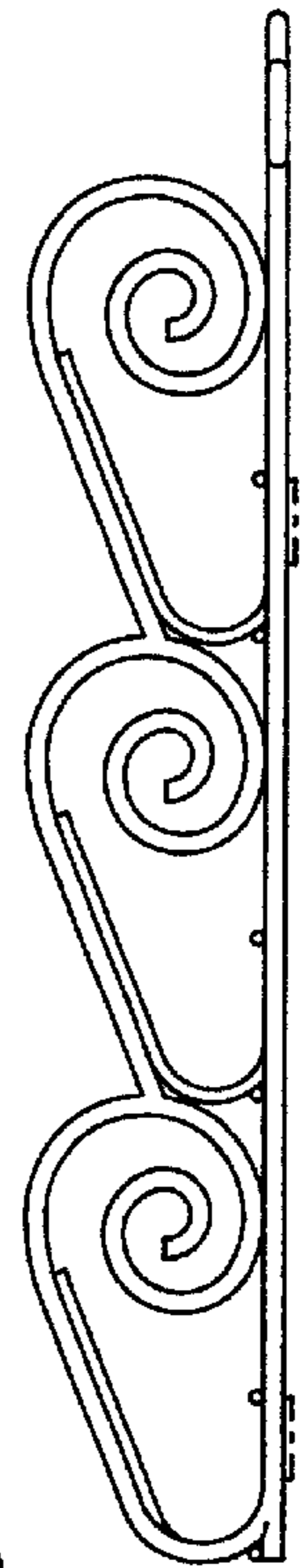


Fig. 3

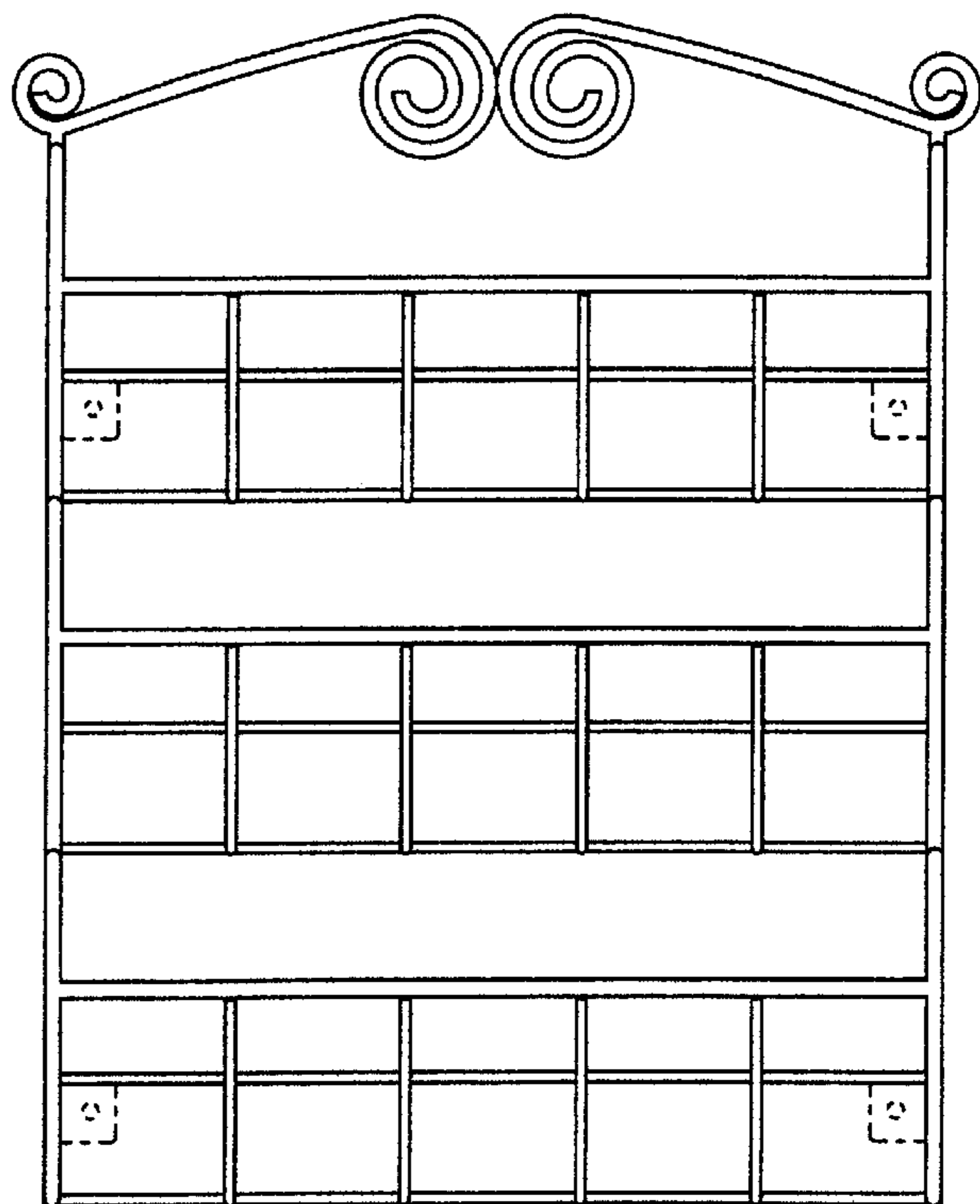


Fig. 2

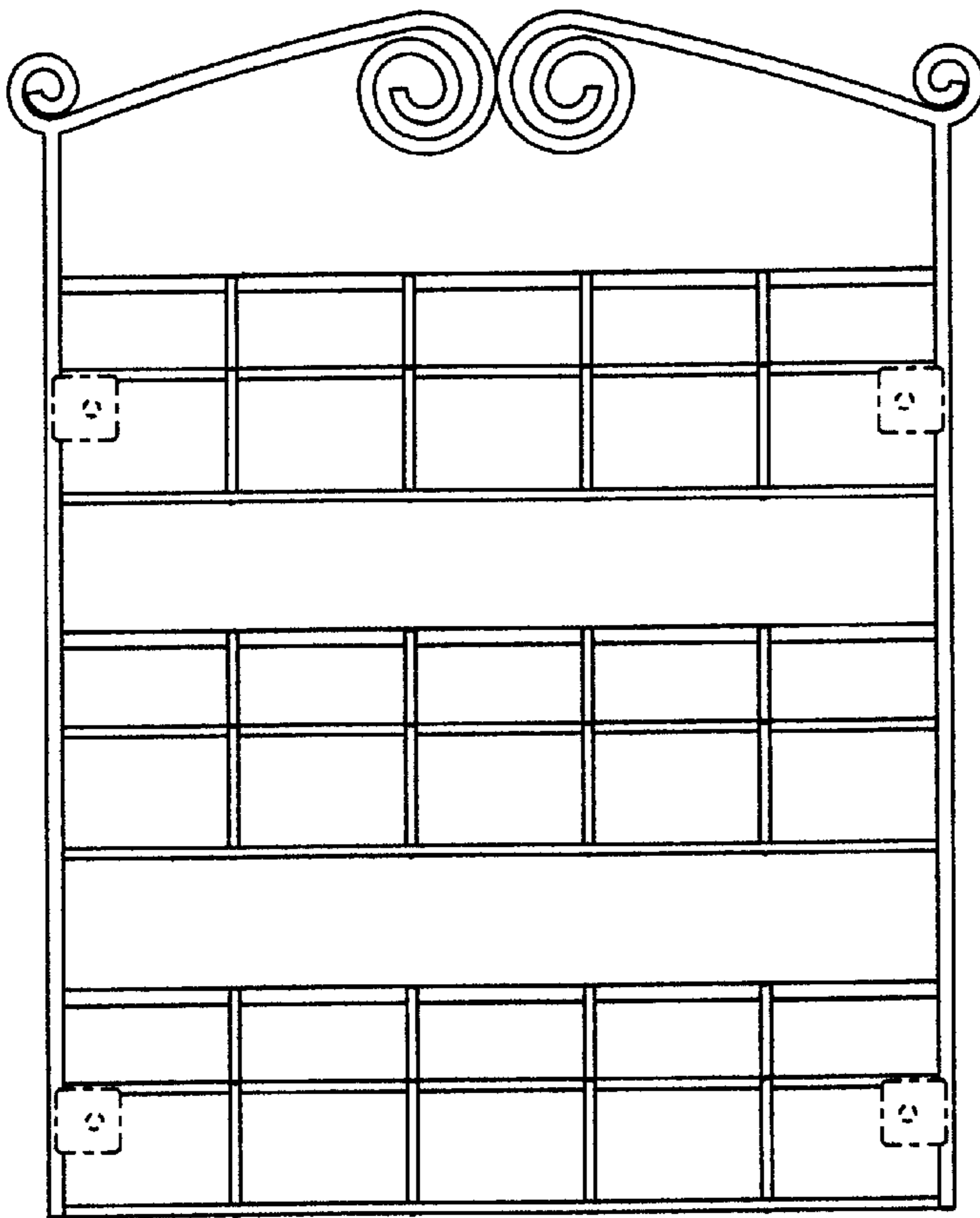


Fig. 4

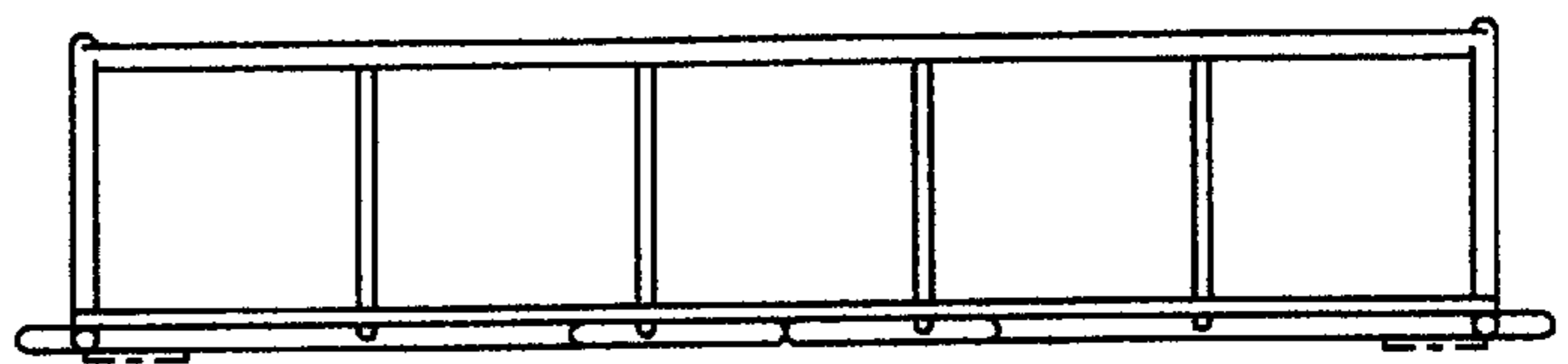


Fig. 6

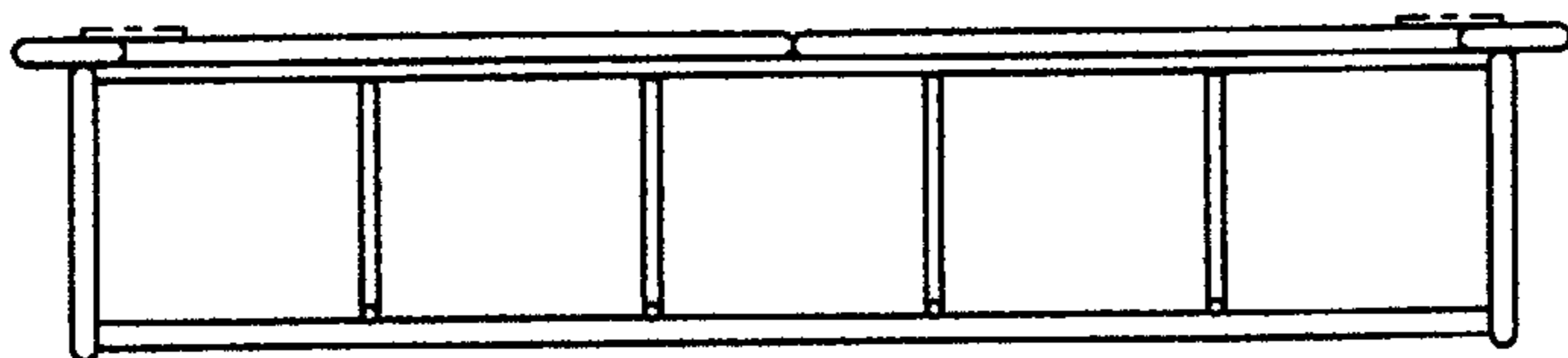


Fig. 5

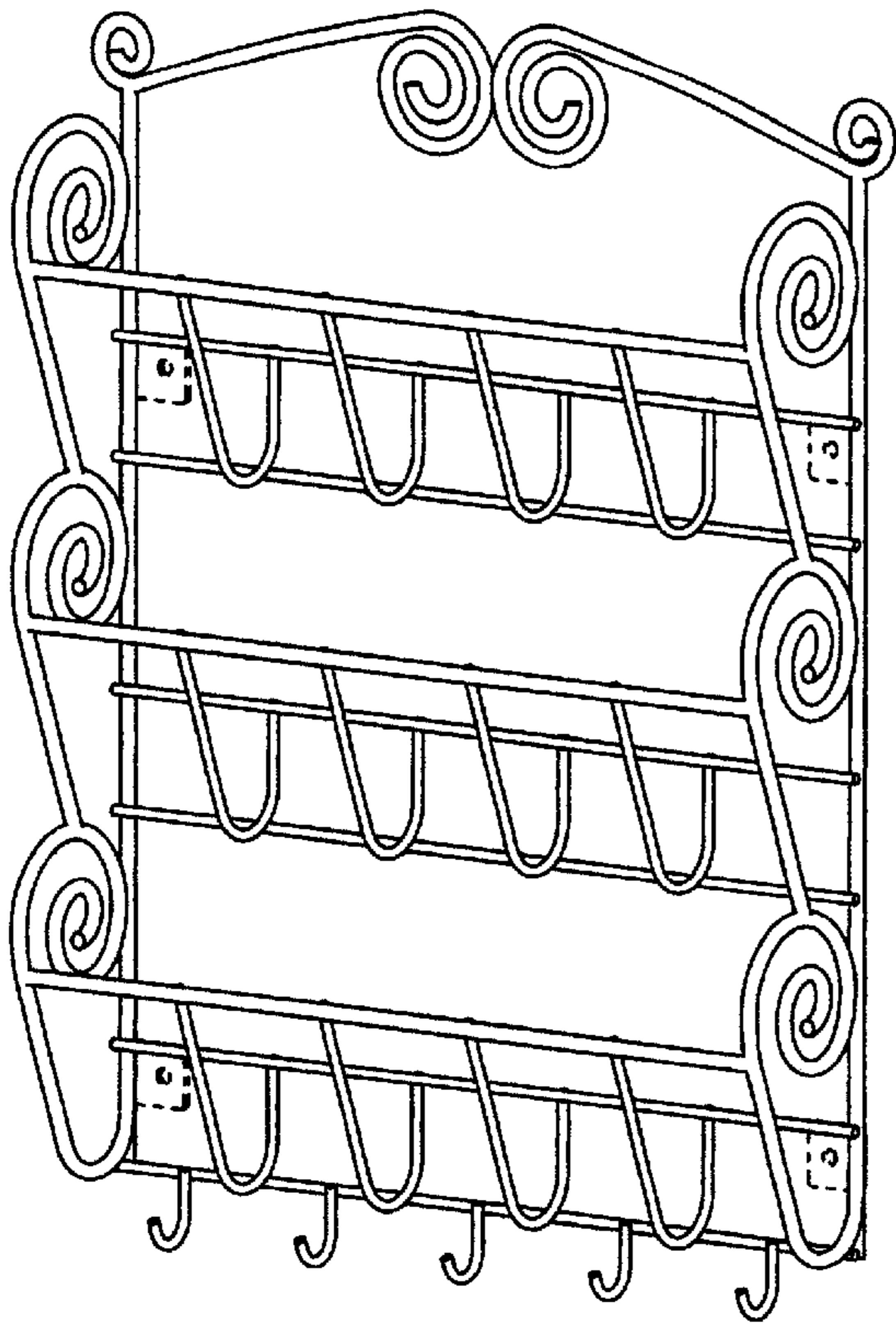


Fig. 7

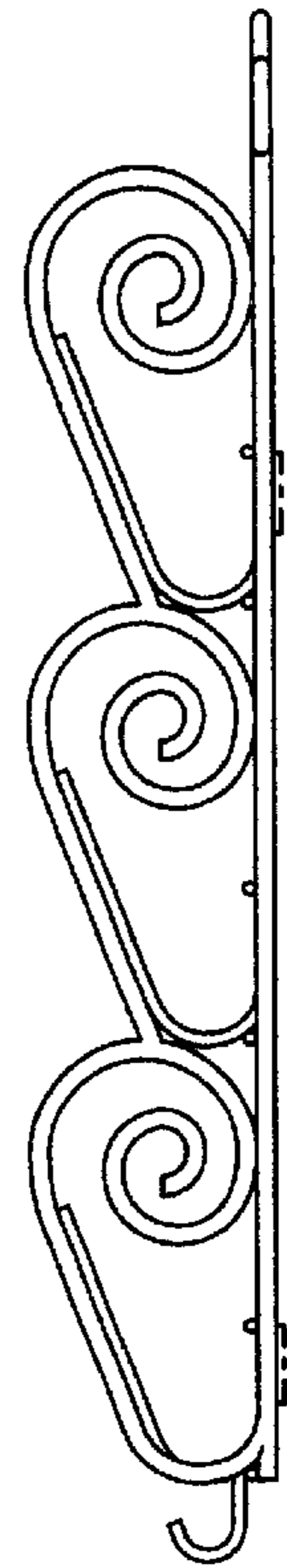


Fig. 9

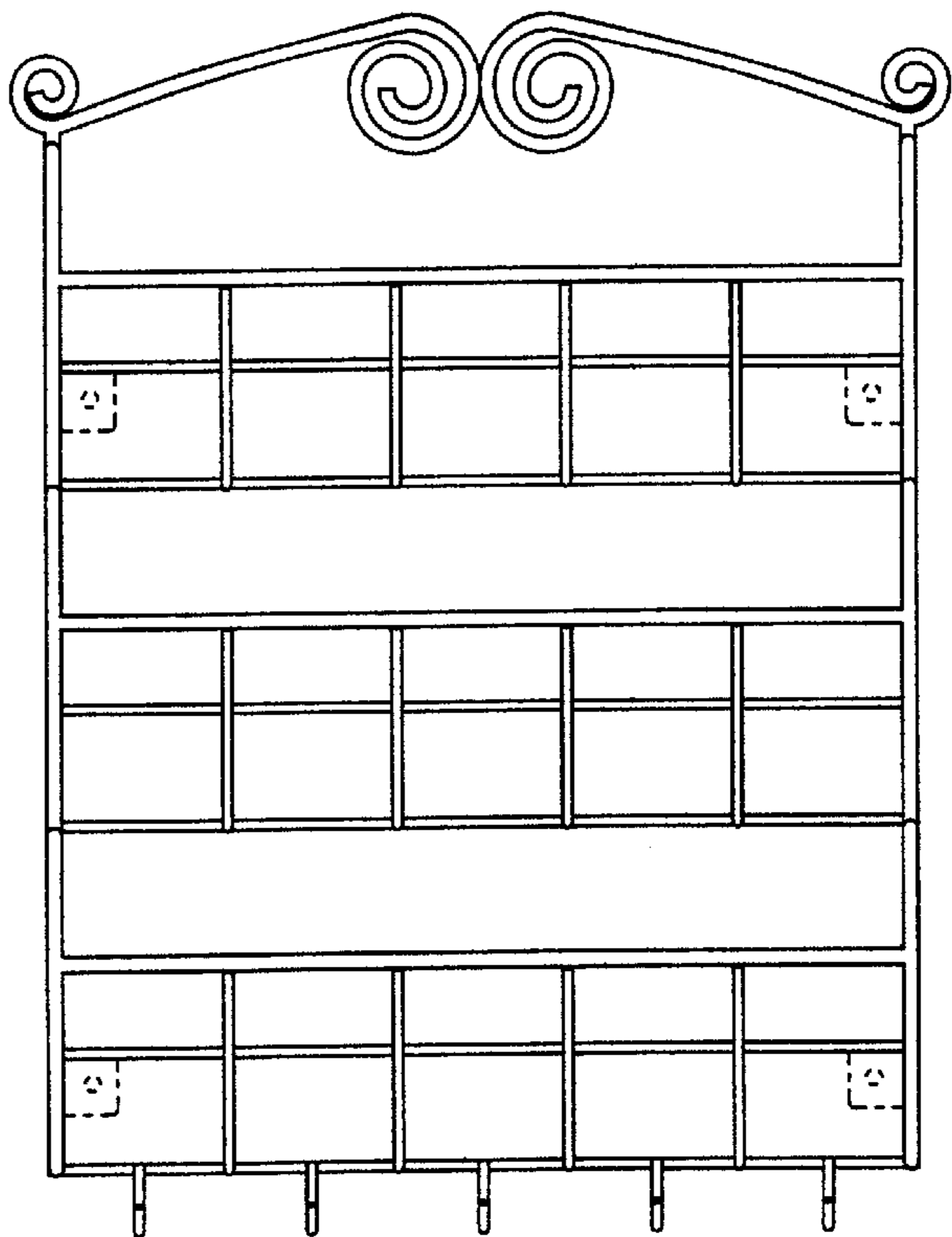


Fig. 8

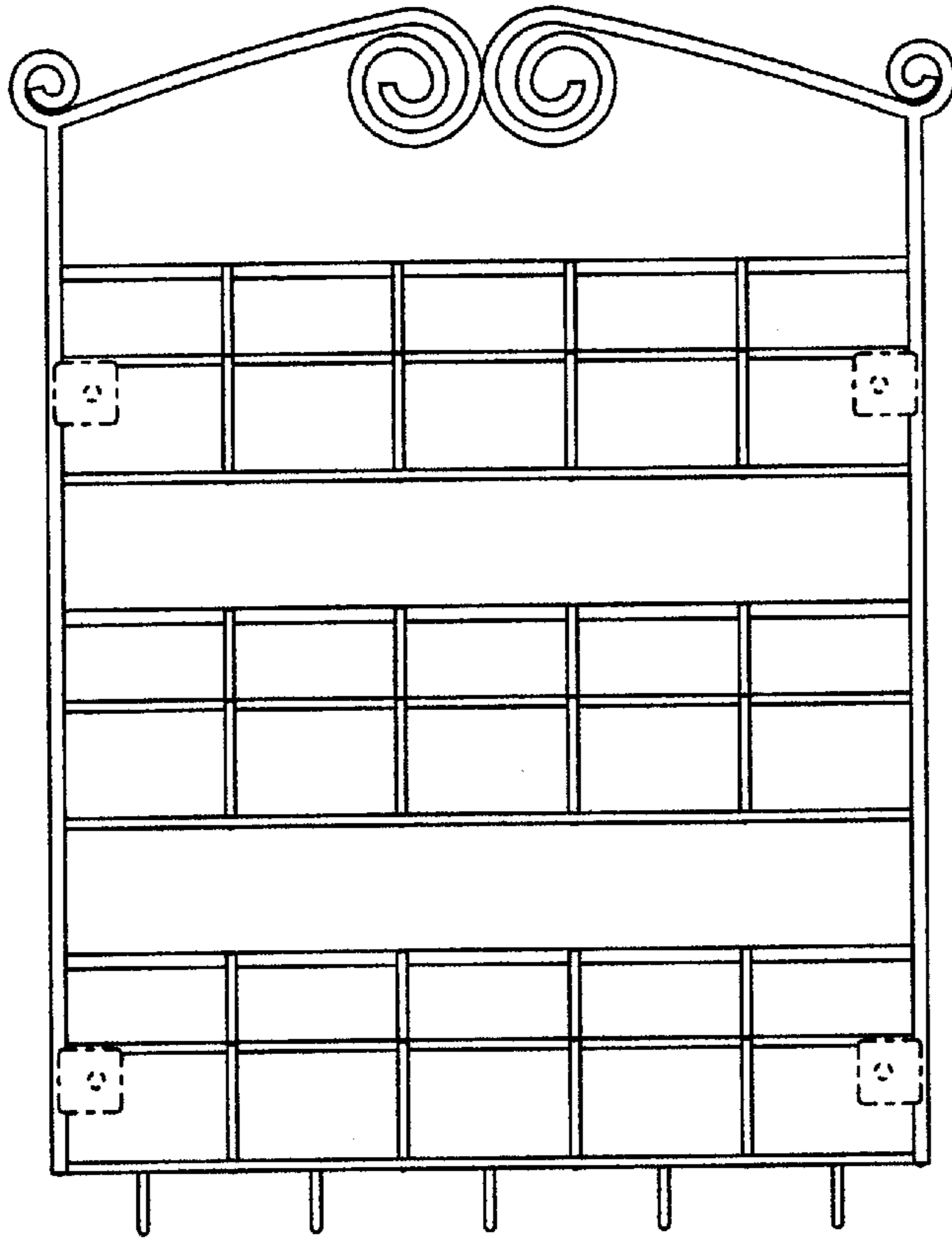


Fig. 10

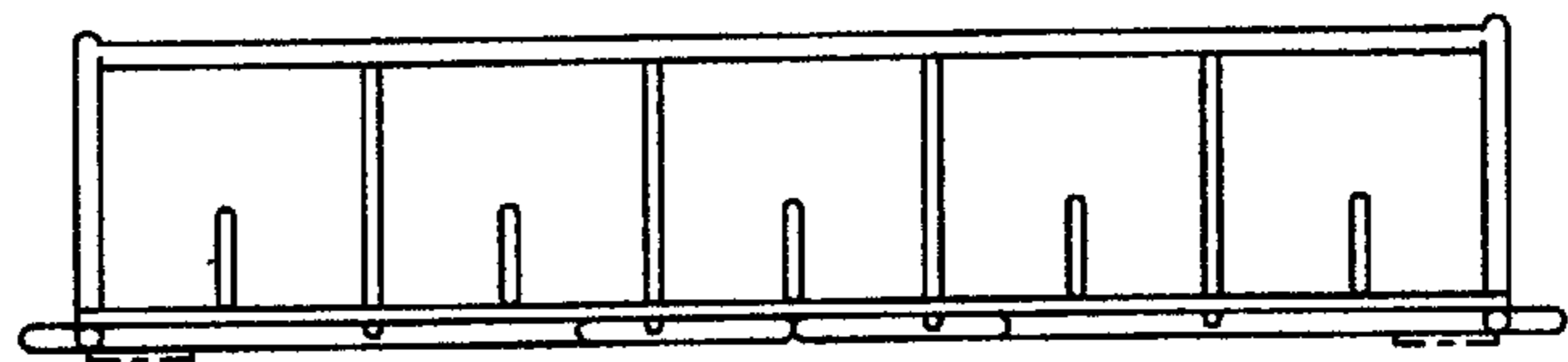


Fig. 12

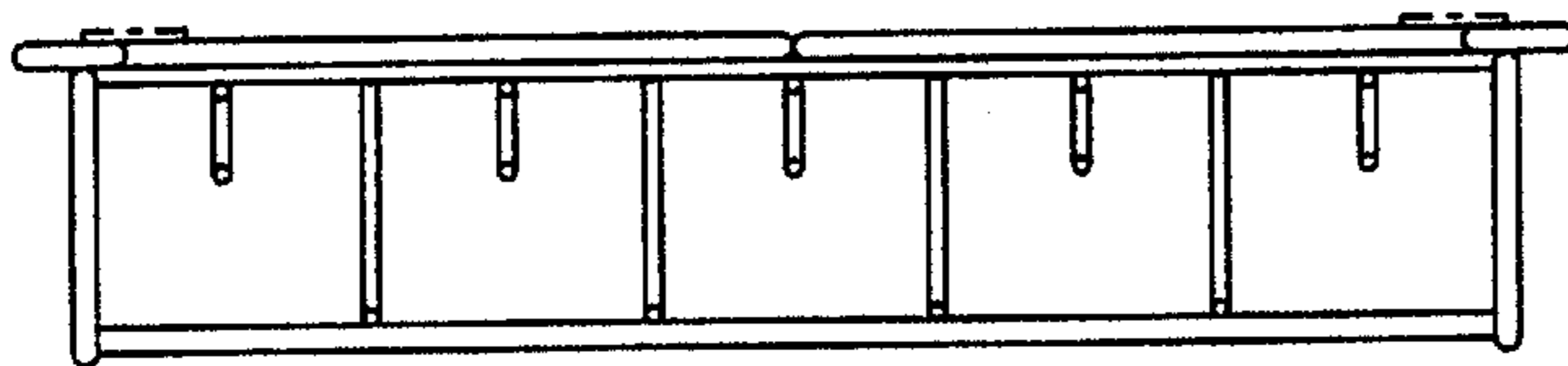


Fig. 11