



US00D452518B1

(12) **United States Design Patent** (10) **Patent No.:** **US D452,518 S**  
**Yamazaki** (45) **Date of Patent:** **\*\* Dec. 25, 2001**

(54) **LEVER PORTION OF VIDEO CAMERA**

(75) Inventor: **Akira Yamazaki**, Tokyo (JP)

(73) Assignee: **Sony Corporation**, Tokyo (JP)

(\*\*) Term: **14 Years**

(21) Appl. No.: **29/124,428**

(22) Filed: **Jun. 6, 2000**

(51) **LOC (7) Cl.** ..... **16-05**

(52) **U.S. Cl.** ..... **D16/219**

(58) **Field of Search** ..... D16/200–205,  
D16/208, 218, 219, 237; 348/373–376;  
352/242, 243, 121; 358/906; 396/348, 354,  
535–541

(56) **References Cited**

**U.S. PATENT DOCUMENTS**

D. 400,900	11/1998	Harata	.....	D16/202
D. 407,424	3/1999	Nakamura	.....	D16/202
D. 435,261	* 12/2000	Nakamura	.....	D16/202
2,034,978	* 3/1936	Goldhammer	.....	396/348
3,601,026	* 8/1971	Ettischer	.....	396/354
3,762,806	* 10/1973	Roth et al.	.....	352/121
4,456,931	* 6/1984	Toyoda et al.	.....	358/906

**OTHER PUBLICATIONS**

“88”, p. 5 (DCR-PC7), Sony, Mar. 1998.

“90”, pp. 6 & 7 (DCR-PC1 & DCR-PC10), Sony, Nov. 1998.

“Panasonic”, pp. 5 & 11, Panasonic, Sep. 16, 1999.

“94”, pp. 7 & 8 (DCR-PC100 & DCR-PC3), Sony, Mar. 2000.

\* cited by examiner

*Primary Examiner*—Adir Aronovich

(74) *Attorney, Agent, or Firm*—Rader, Fishman & Grauer, PLLC

(57) **CLAIM**

The ornamental design for a lever portion of video camera, as shown and described.

**DESCRIPTION**

FIG. 1 is a top, front perspective view of a lever portion of a video camera showing my design;

FIG. 2 is a top plan view thereof;

FIG. 3 is a bottom plan view thereof;

FIG. 4 is a left side elevational view thereof;

FIG. 5 is a right side elevational view thereof;

FIG. 6 is a front elevational view thereof;

FIG. 7 is a rear elevational view thereof; and,

FIG. 8 is a top, rear perspective view thereof, wherein the lever portion is in the upright position.

The broken line showing of a video camera is to illustrate environment only and forms no part of the claimed design.

**1 Claim, 4 Drawing Sheets**

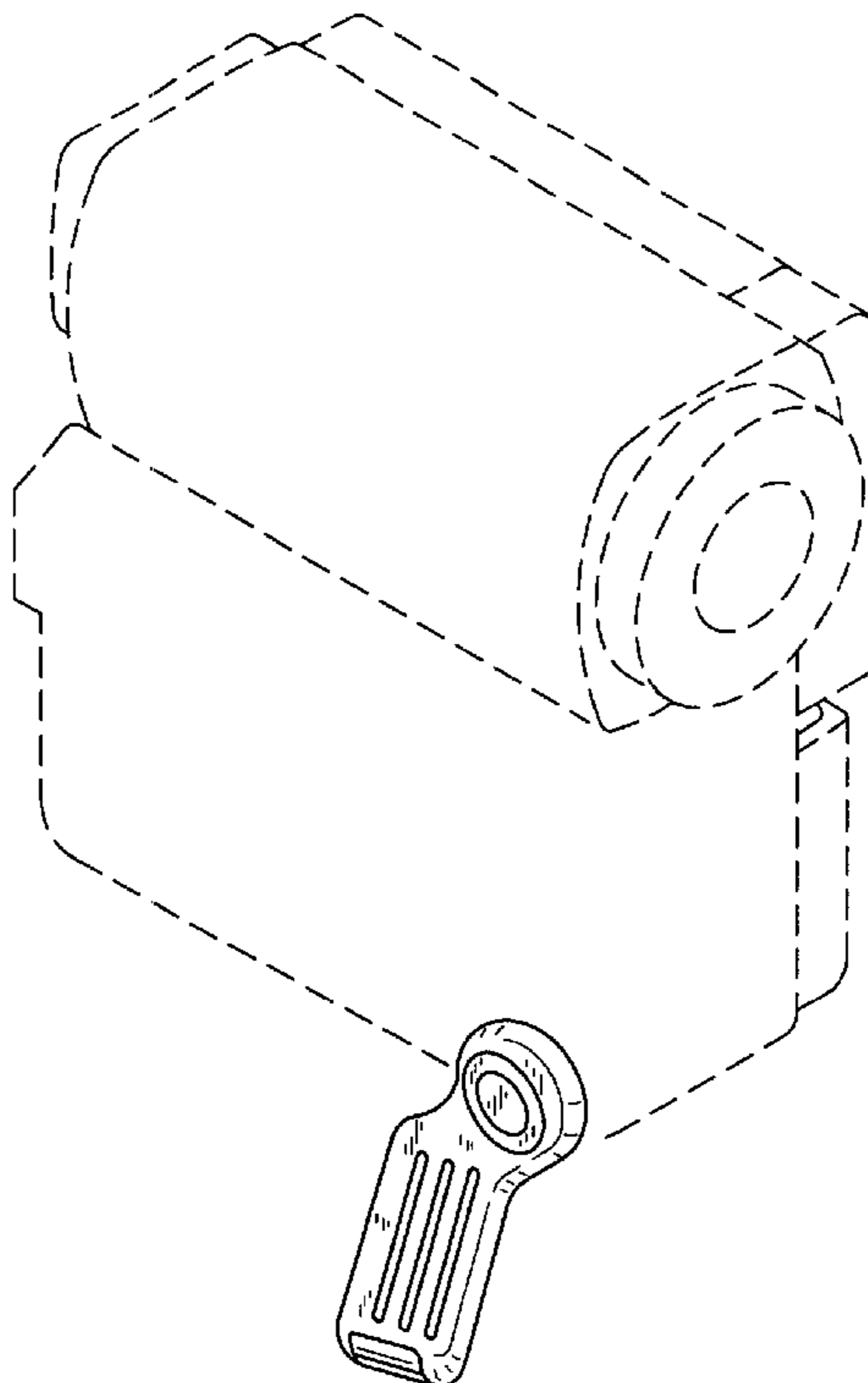


FIG. 1

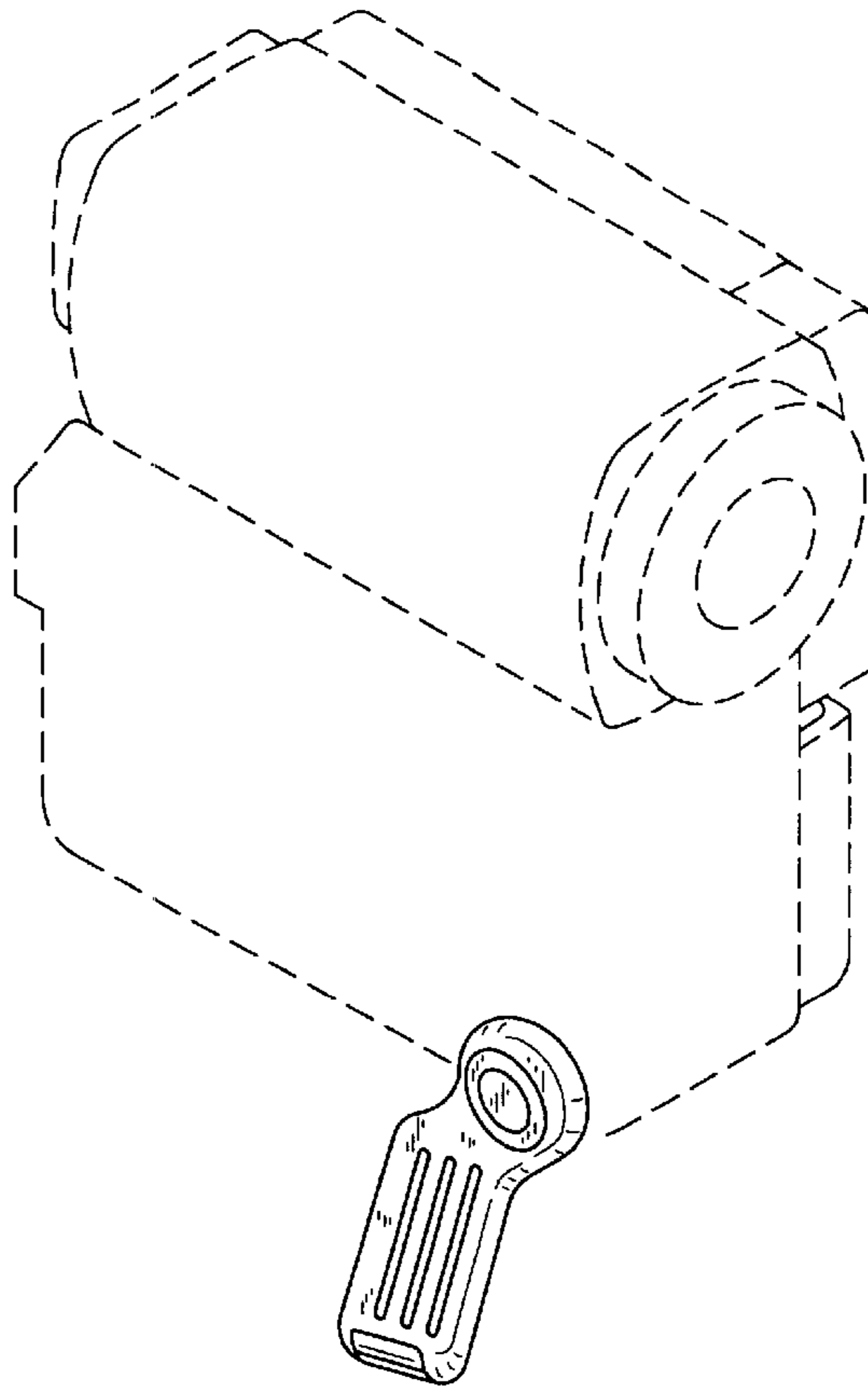


FIG. 8

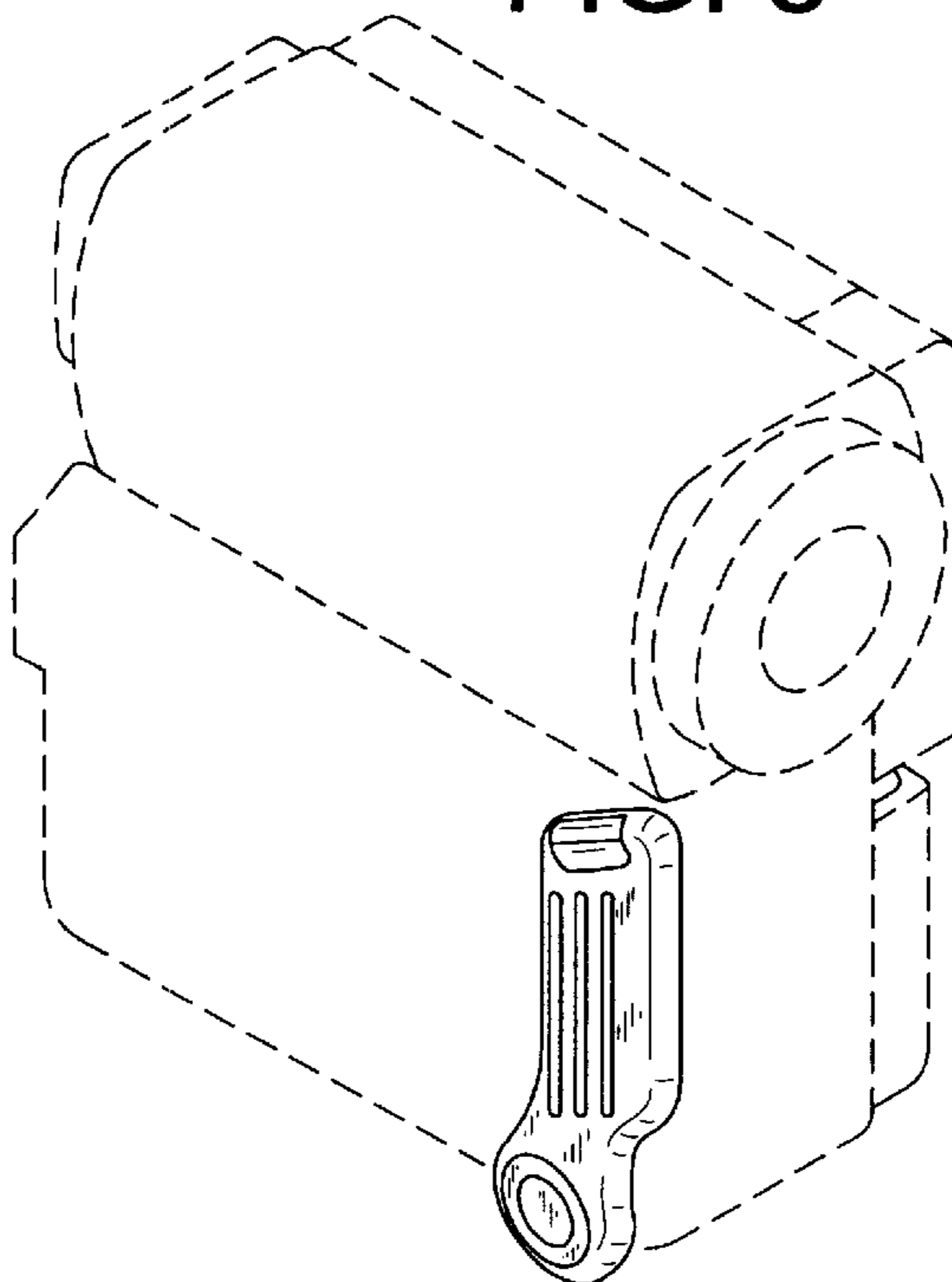


FIG. 2

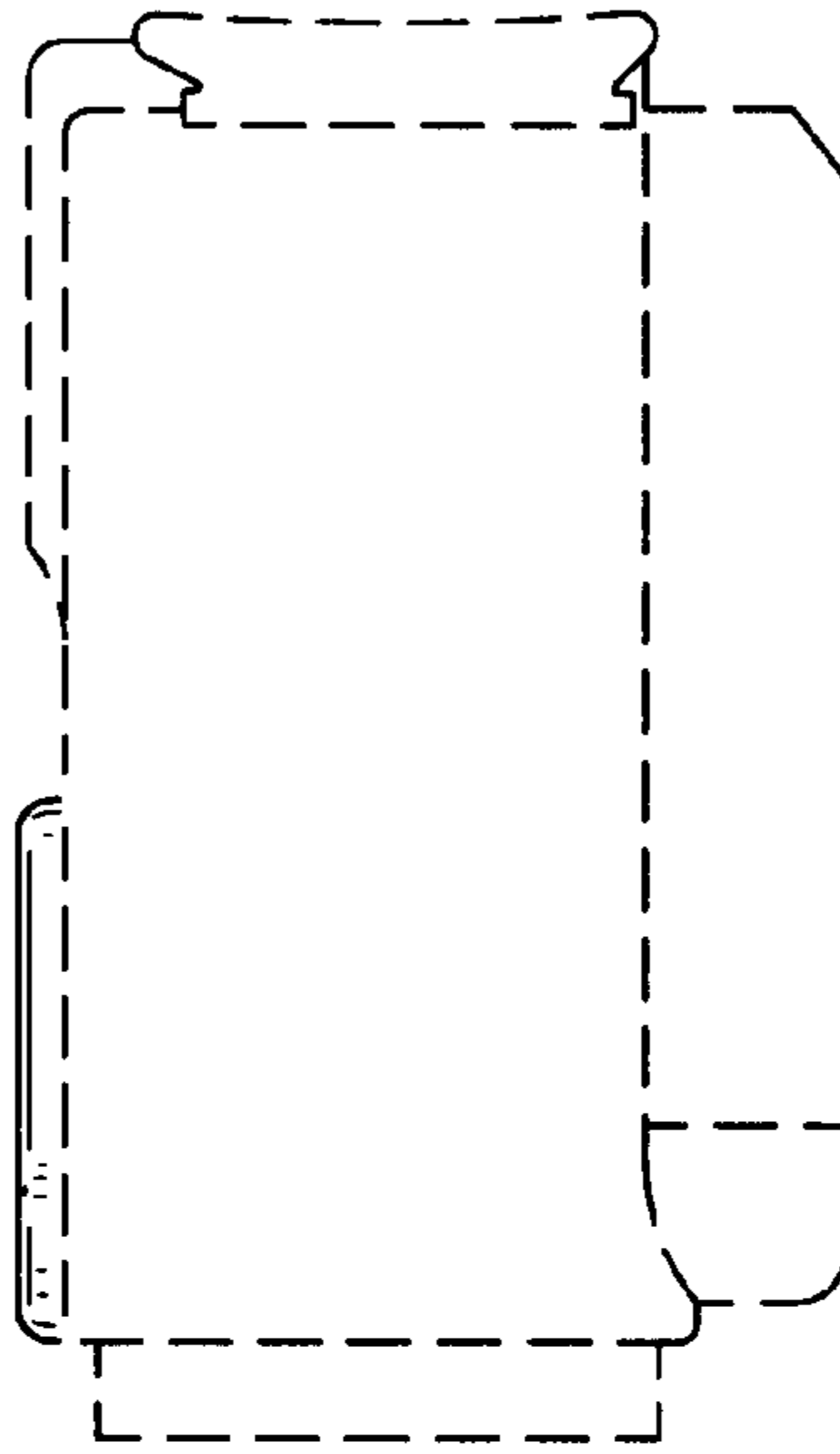


FIG. 3

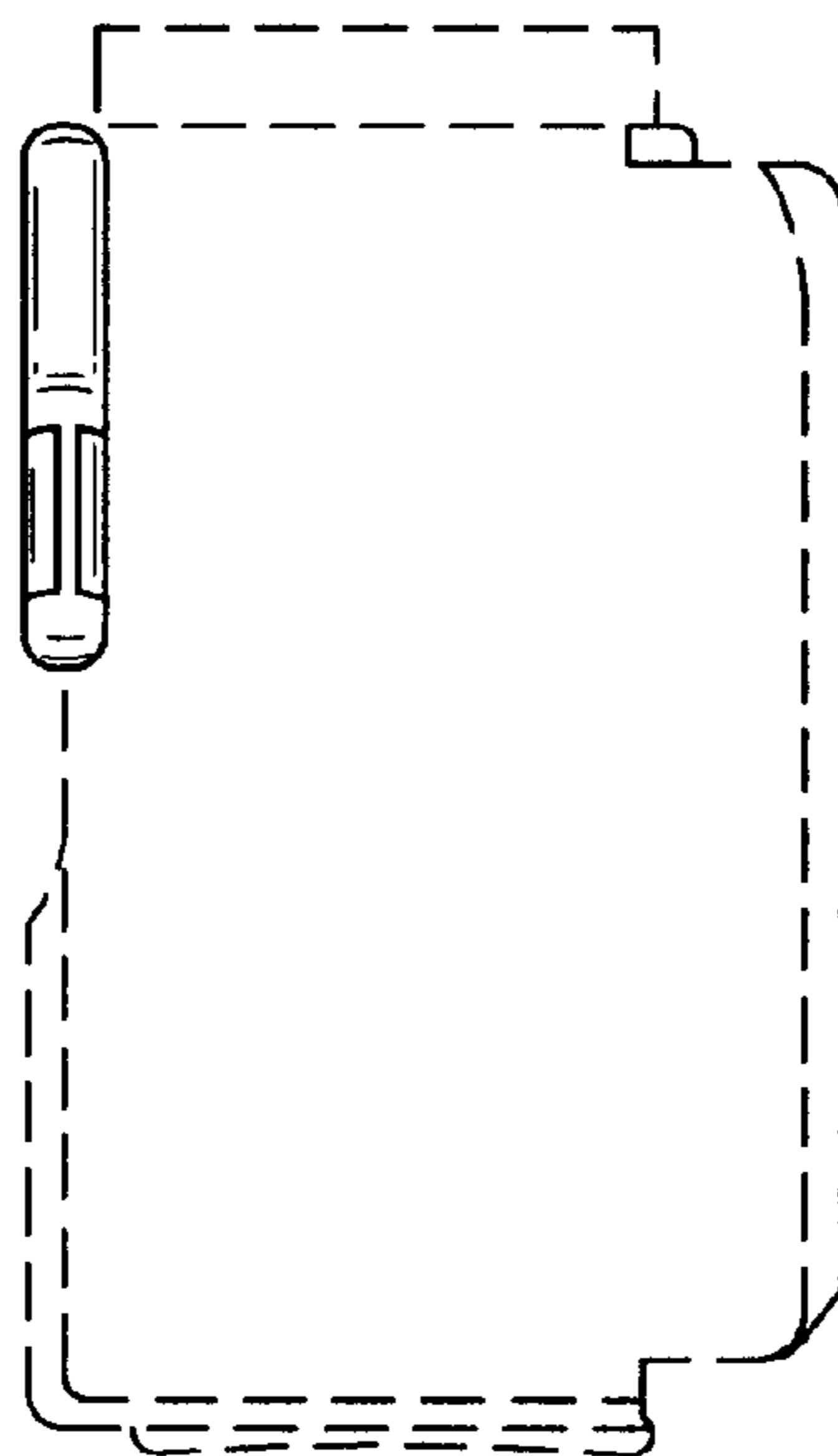


FIG. 4

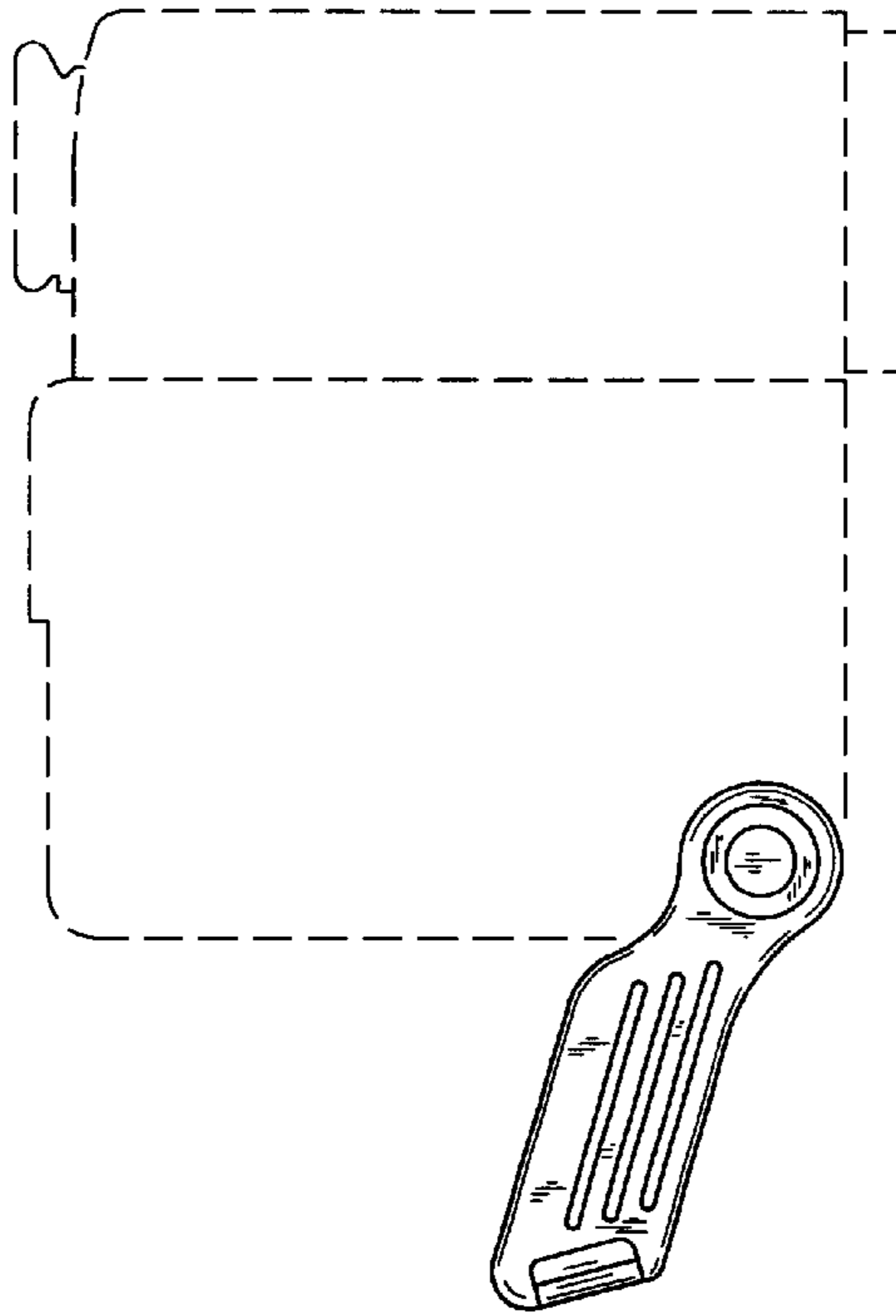
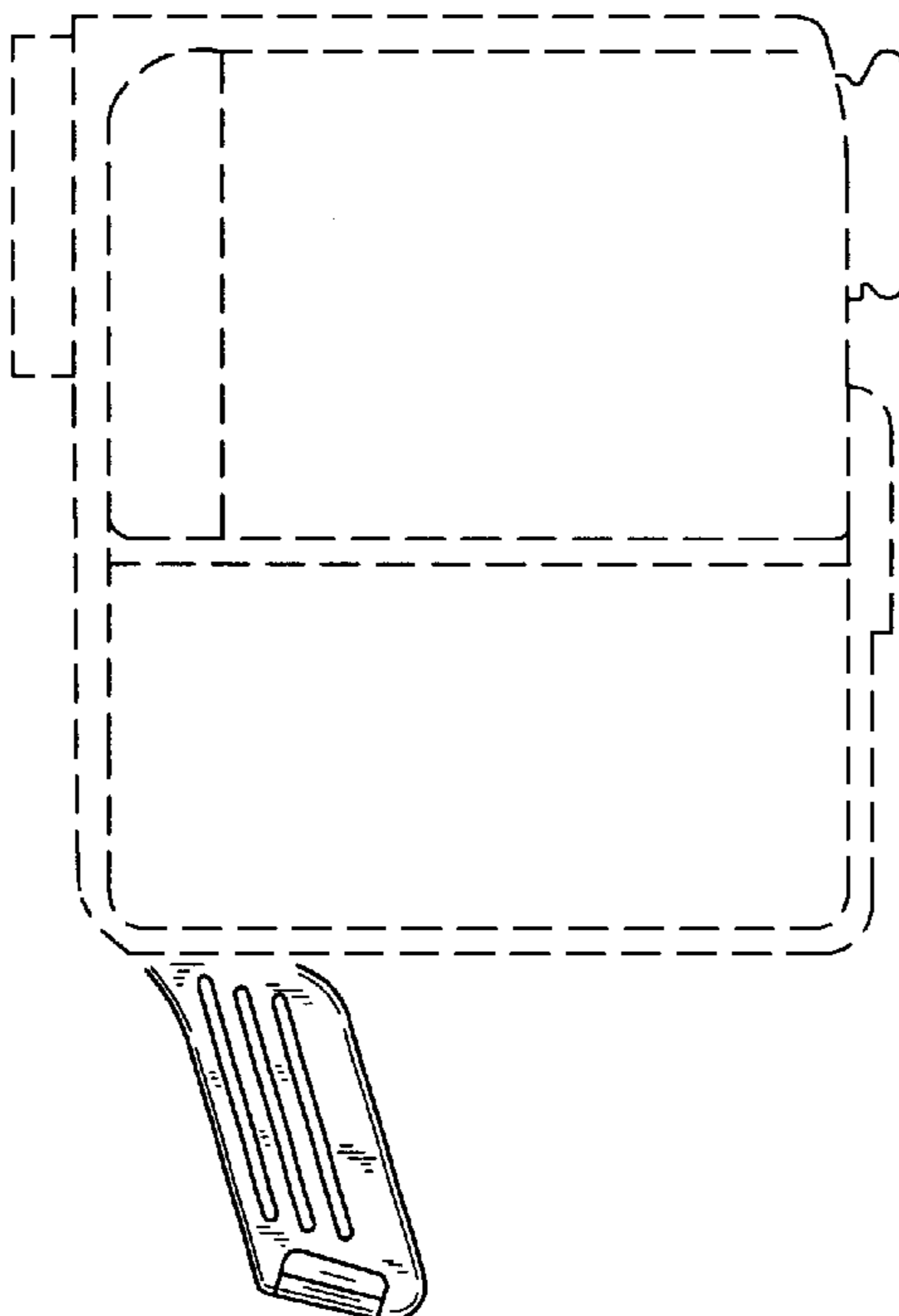
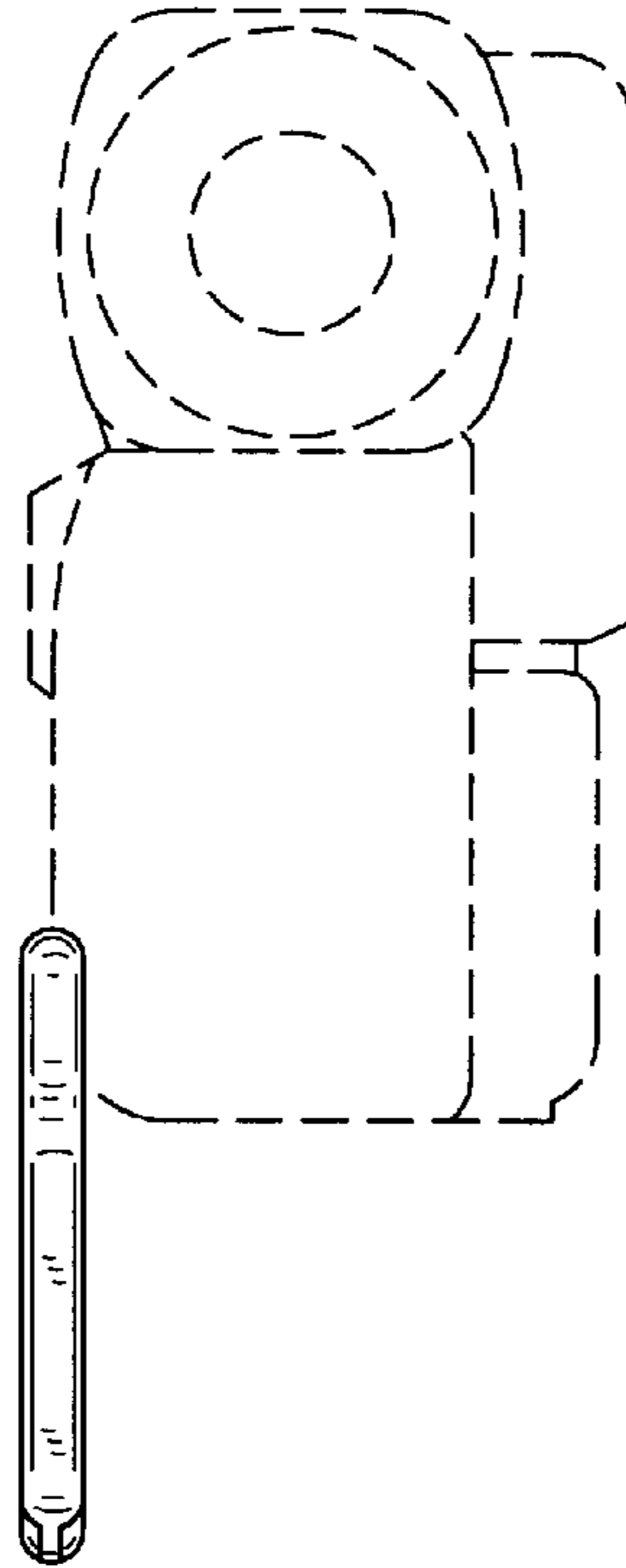


FIG. 5



**FIG. 6**



**FIG. 7**

