



US00D452517B1

(12) **United States Design Patent**
Kawaguchi

(10) **Patent No.:** **US D452,517 S**

(45) **Date of Patent:** **** Dec. 25, 2001**

(54) **DESKTOP ROBOT**

6,212,968 * 4/2001 Hiruma et al. 74/490.03

(75) Inventor: **Kiyomi Kawaguchi**, Tokyo (JP)

* cited by examiner

(73) Assignee: **Janome Sewing Machine Company Limited**, Tokyo (JP)

Primary Examiner—Antoine Duval Davis
(74) *Attorney, Agent, or Firm*—Jacobson Holman, PLLC

(**) Term: **14 Years**

(57) **CLAIM**

(21) Appl. No.: **29/131,218**

The ornamental design for a desktop robot, as shown and described.

(22) Filed: **Oct. 17, 2000**

(30) **Foreign Application Priority Data**

DESCRIPTION

May 16, 2000 (JP) 12-012693

FIG. 1 is a perspective view showing my new design for a desktop robot,

(51) **LOC (7) Cl.** **15-99**

FIG. 2 is a top plan view thereof;

(52) **U.S. Cl.** **D15/199**

FIG. 3 is a bottom view thereof;

(58) **Field of Search** D15/199; 33/503;
74/665 A, 409.02; 414/735; 702/150; 901/2,
23, 25

FIG. 4 is a left side view thereof;

FIG. 5 is a right side view thereof;

FIG. 6 is a front view thereof; and,

FIG. 7 is a rear view thereof.

(56) **References Cited**

U.S. PATENT DOCUMENTS

D. 443,287 * 6/2001 Kawahara et al. D15/199

1 Claim, 7 Drawing Sheets

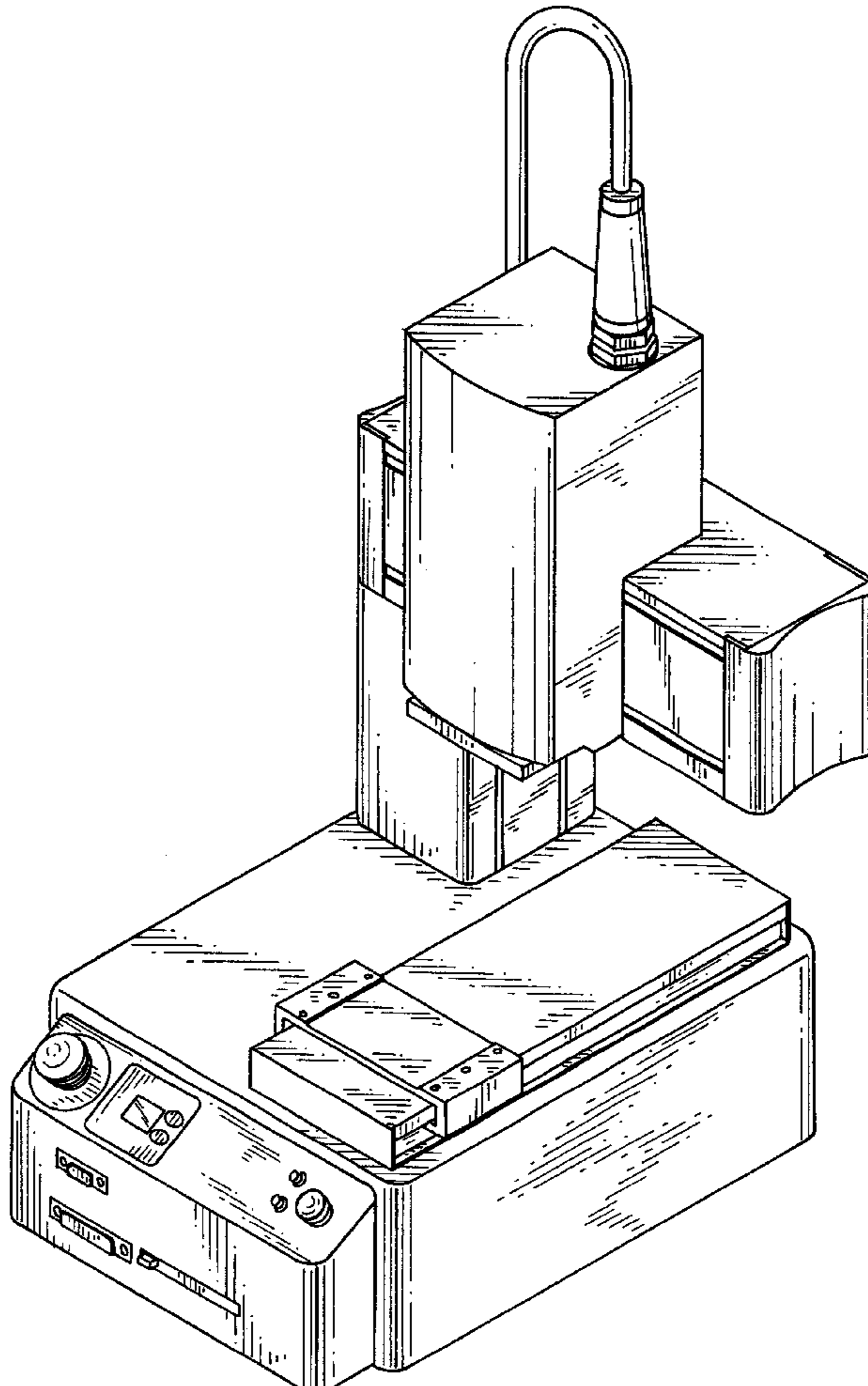
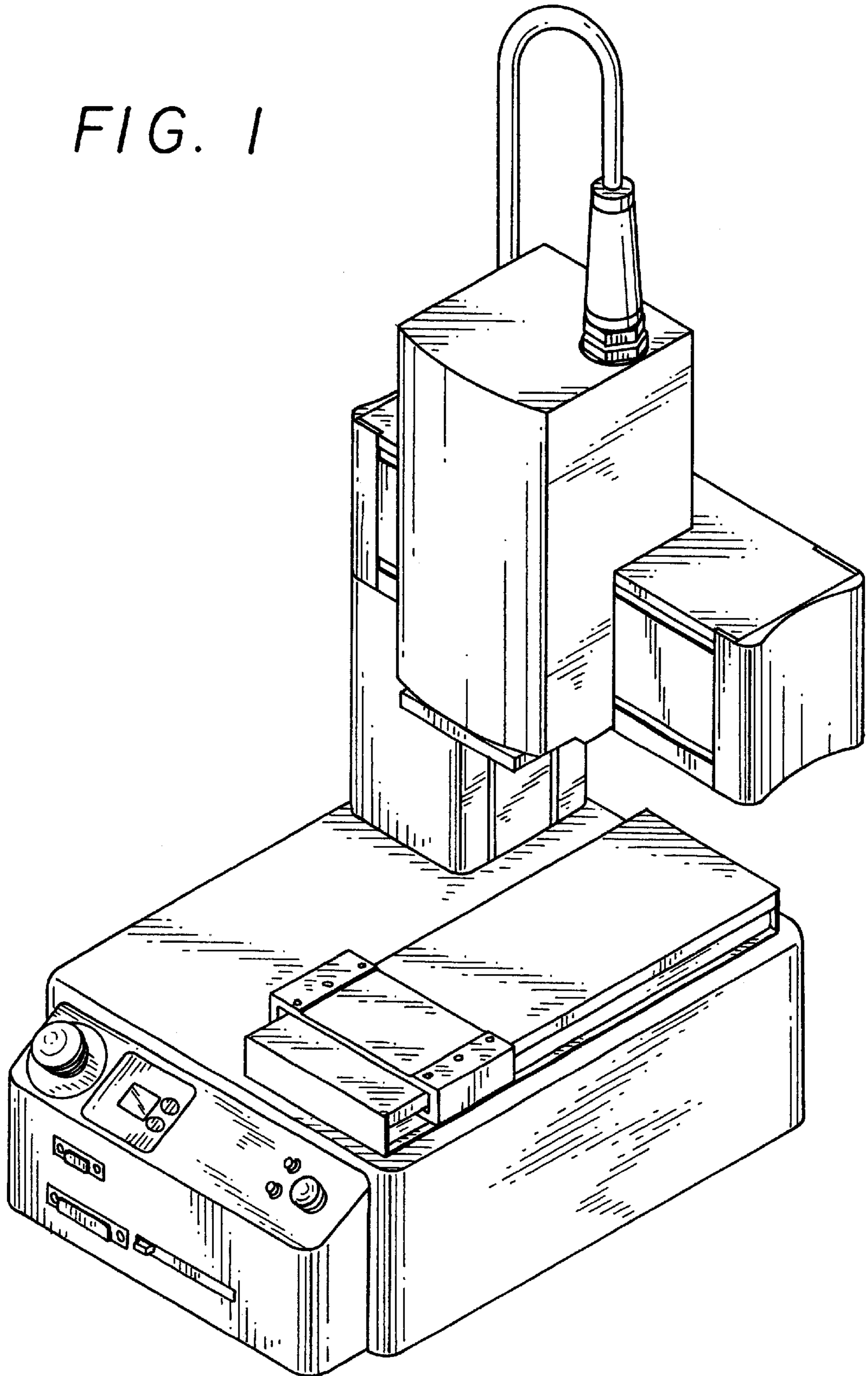


FIG. 1



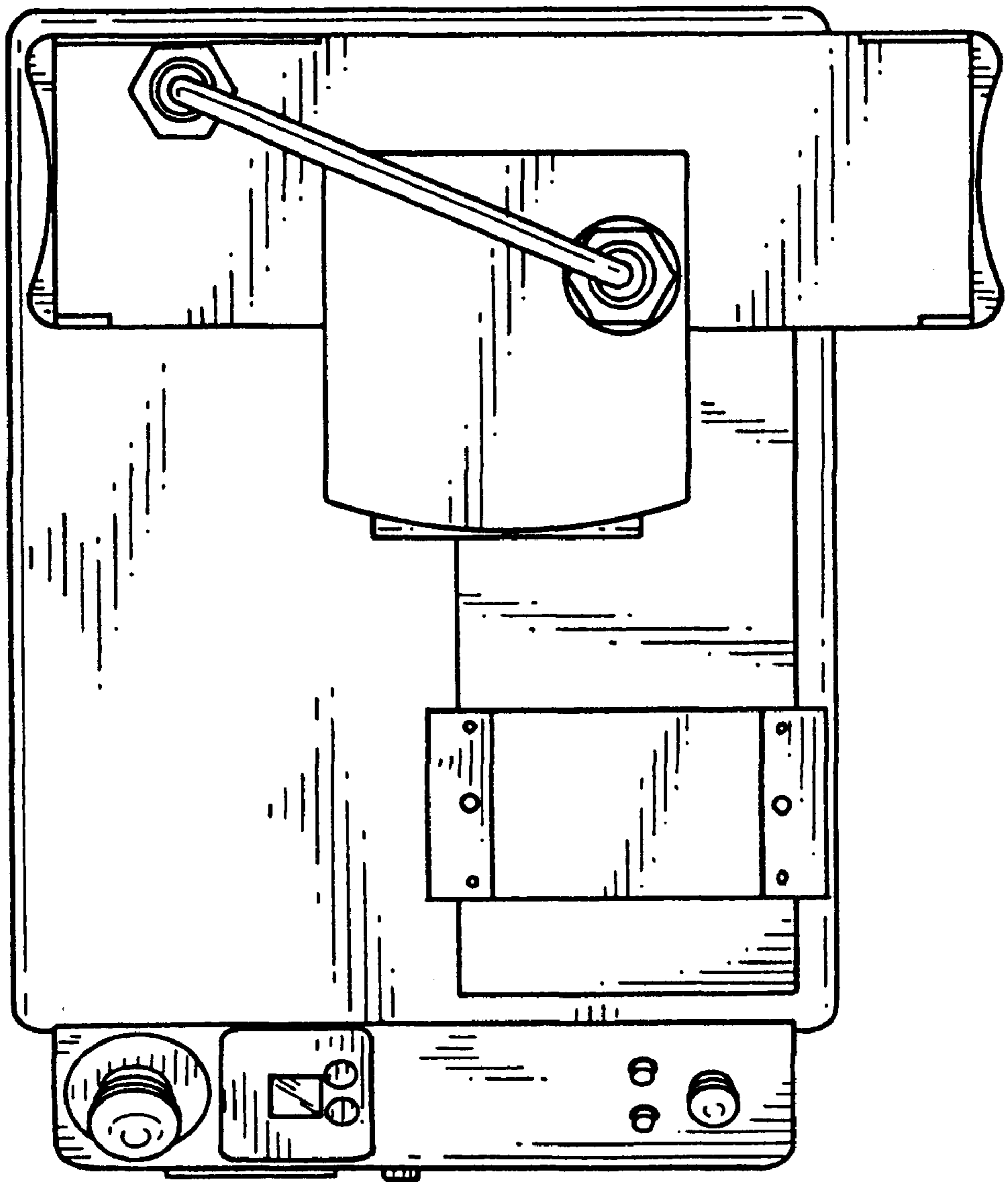


FIG. 2

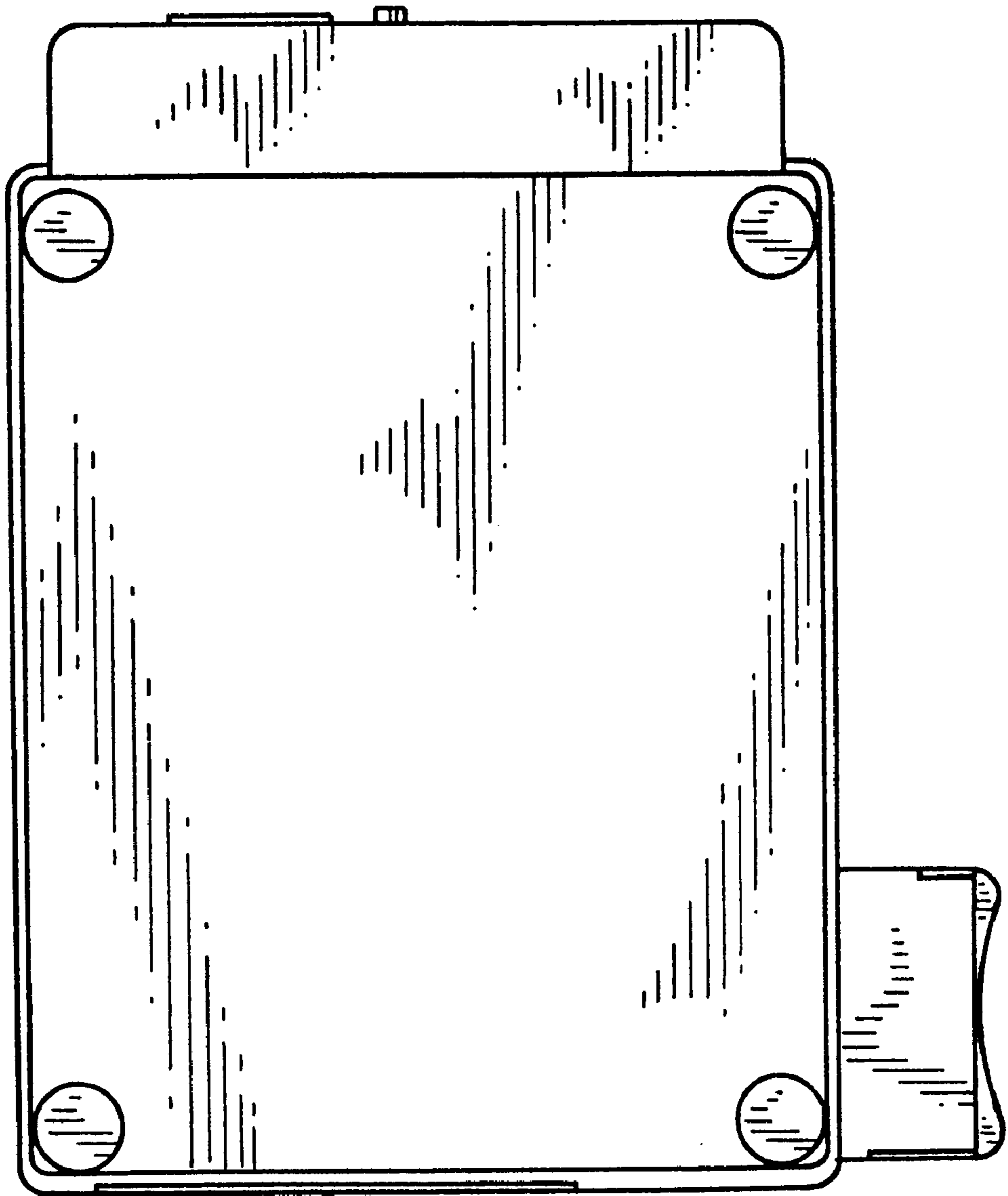


FIG. 3

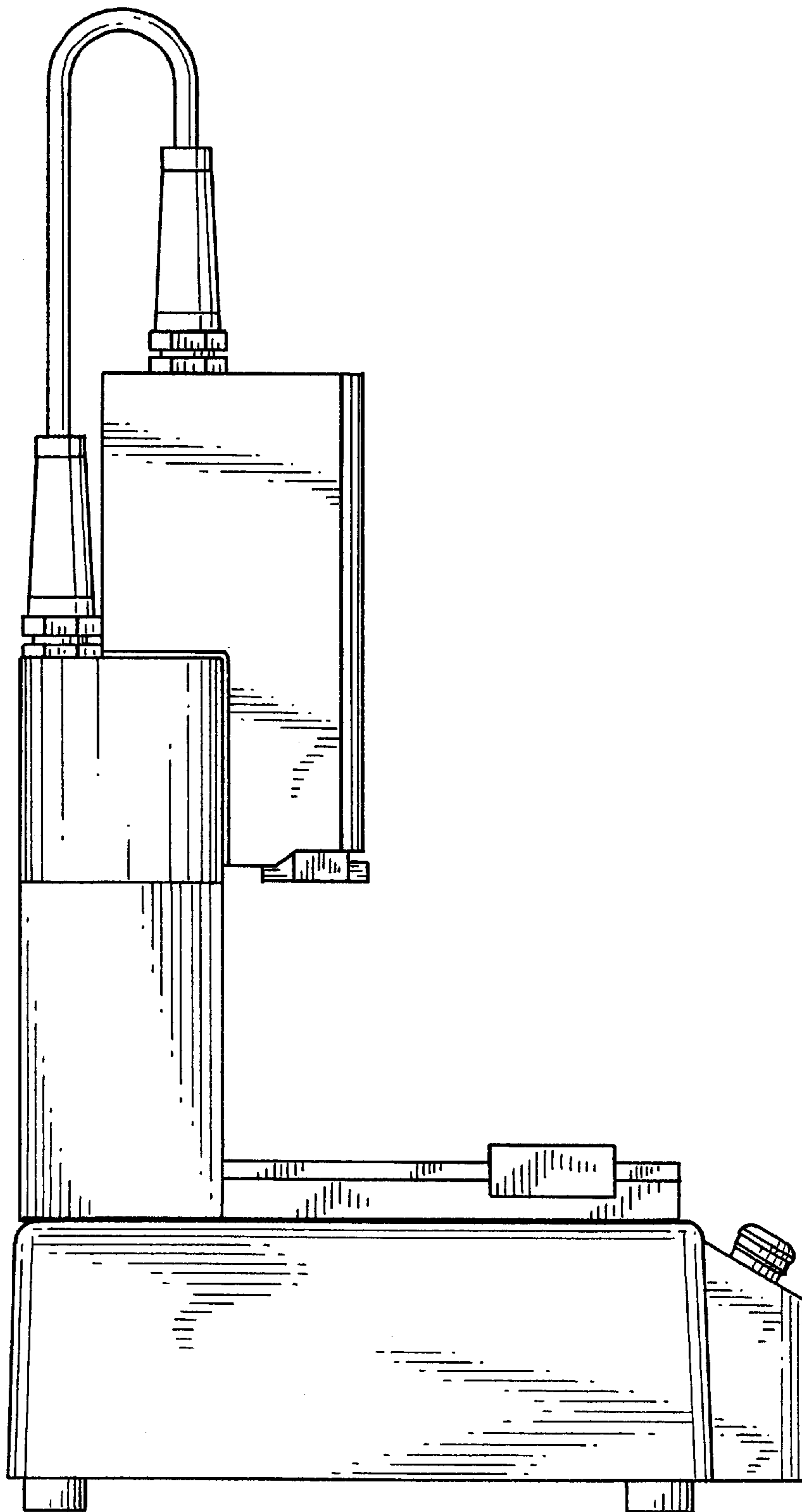
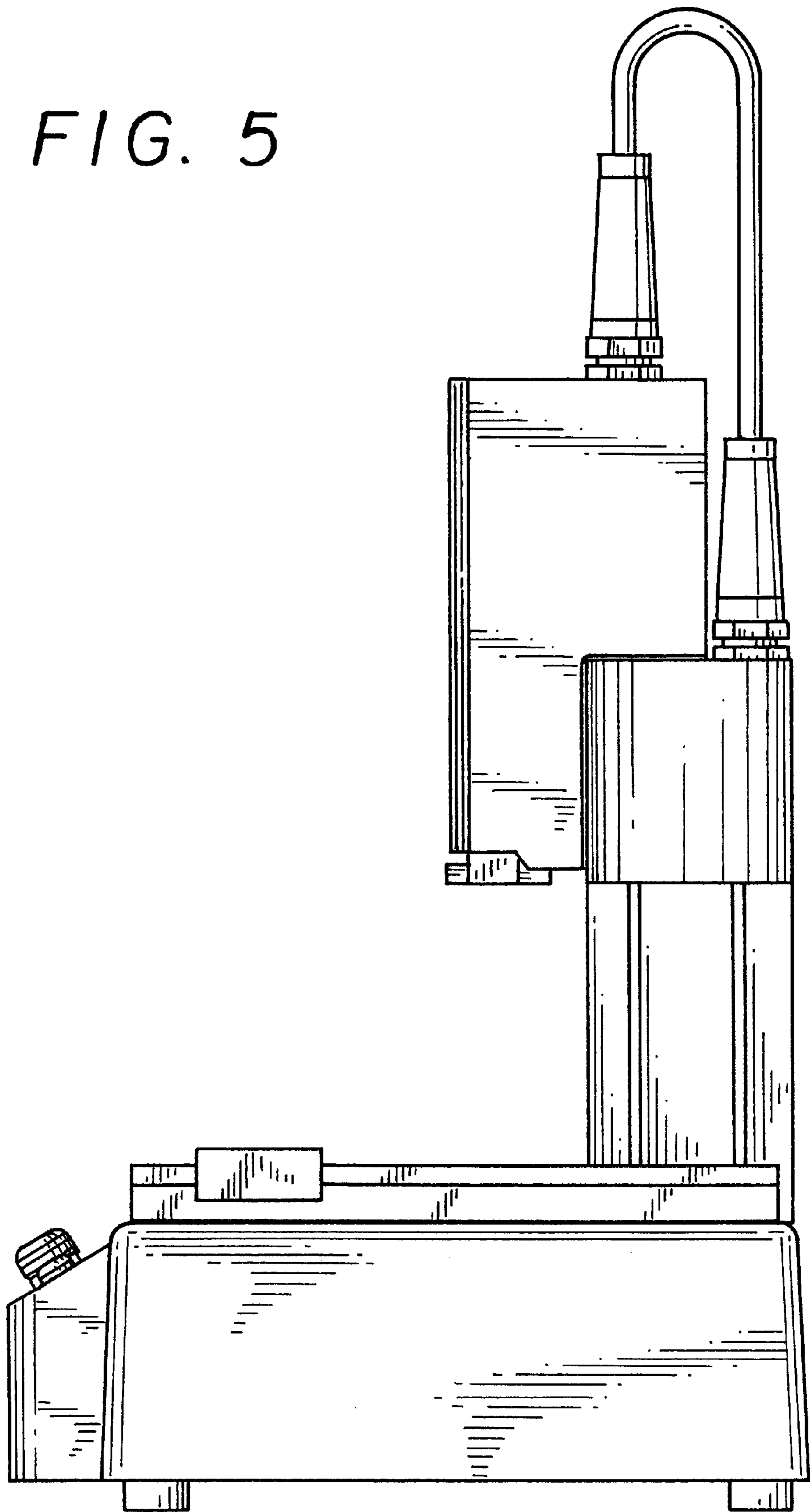


FIG. 4

FIG. 5



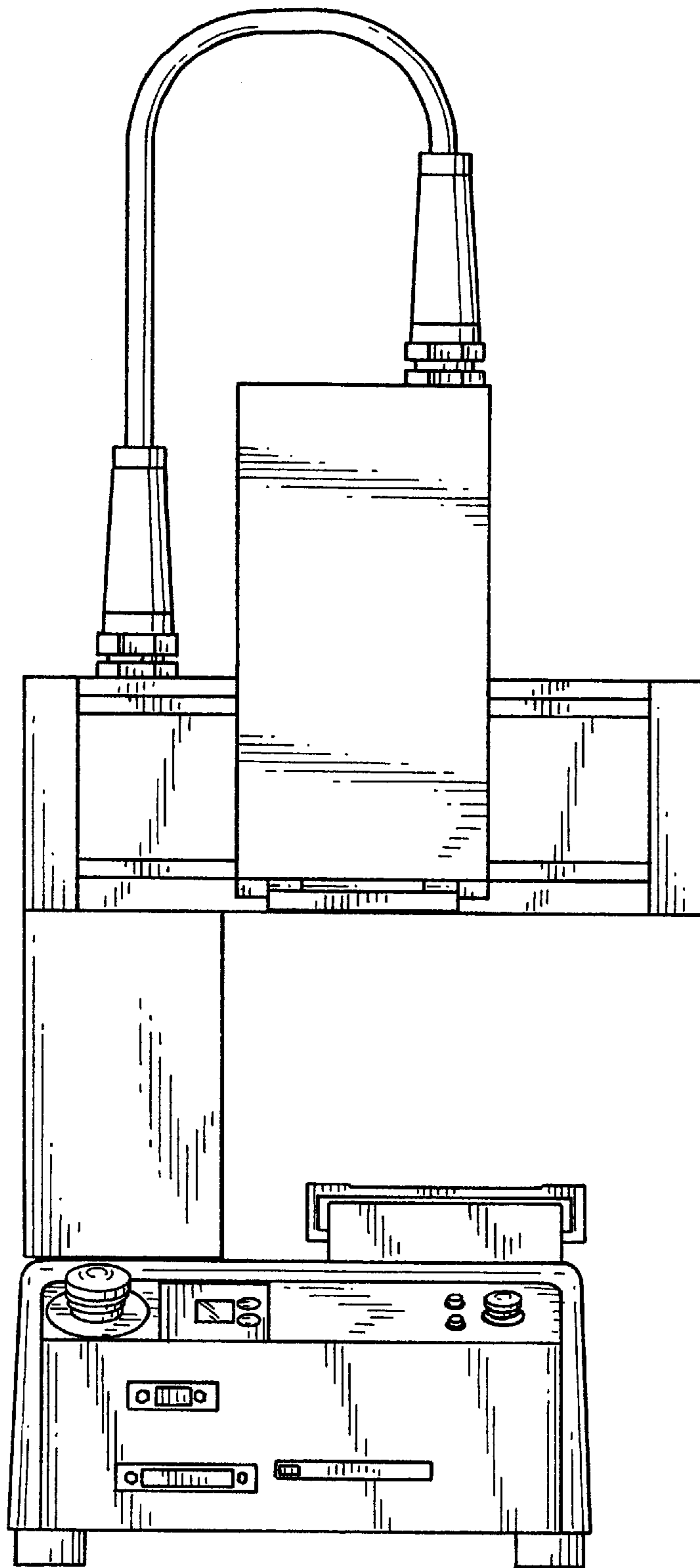


FIG. 6

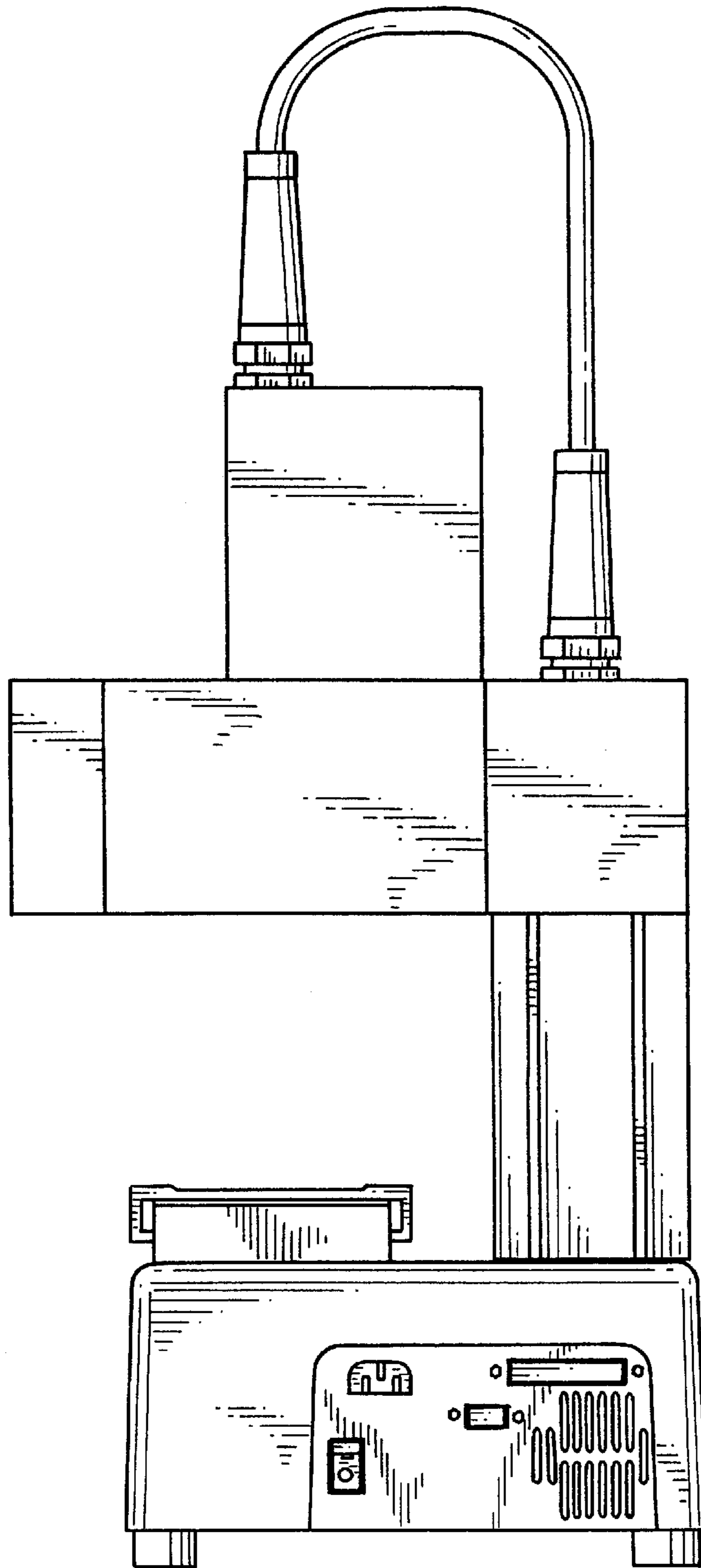


FIG. 7