



US00D452516B1

(12) **United States Design Patent**
Zook

(10) **Patent No.:** **US D452,516 S**

(45) **Date of Patent:** **** Dec. 25, 2001**

(54) **ADHESIVE APPLICATION SYSTEM**

5,773,095 * 6/1998 Coker 427/424

(75) Inventor: **Jon C. Zook**, Hendersonville, TN (US)

* cited by examiner

(73) Assignee: **Illinois Tool Works Inc.**, Glenview, IL (US)

Primary Examiner—Antoine Duval Davis
(74) *Attorney, Agent, or Firm*—Lowe Hauptman Gilman & Berner, LLP

(**) Term: **14 Years**

(57) **CLAIM**

(21) Appl. No.: **29/136,063**

The ornamental design for an adhesive application system, as shown and described.

(22) Filed: **Jan. 25, 2001**

(51) **LOC (7) Cl.** **15-09**

(52) **U.S. Cl.** **D15/145; D15/144.2**

(58) **Field of Search** D13/144–144.2,
D13/145, 146; 118/300, 302, 305, 323;
156/350, 356, 362, 578; 239/597, 599,
584, 585.3, 601; 221/1; 427/96, 207.1,
208.4, 256, 261, 421, 424

DESCRIPTION

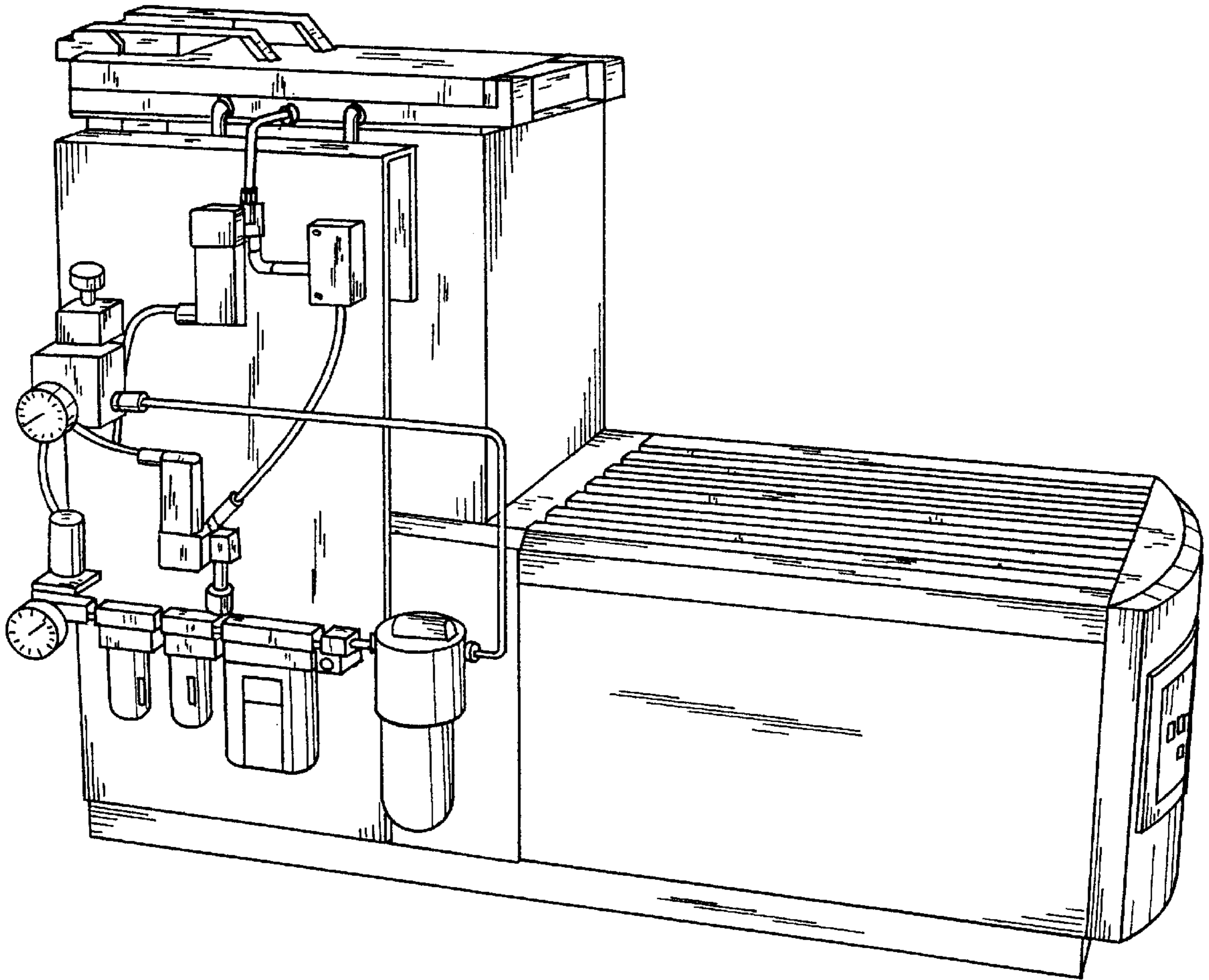
FIG. 1 is a perspective view of an adhesive application system showing my new design; FIG. 2 is a left side view of the system shown in FIG. 1; FIG. 3 is a right side view of the system shown in FIG. 1; FIG. 4 is a front view of the system shown in FIG. 1; FIG. 5 is a rear view of the system shown in FIG. 1; FIG. 6 is a top plan view of the design shown in FIG. 1; and, FIG. 7 is a bottom plan view of the design shown in FIG. 1.

(56) **References Cited**

U.S. PATENT DOCUMENTS

D. 388,800 * 1/1998 Zook et al. D15/144

1 Claim, 4 Drawing Sheets



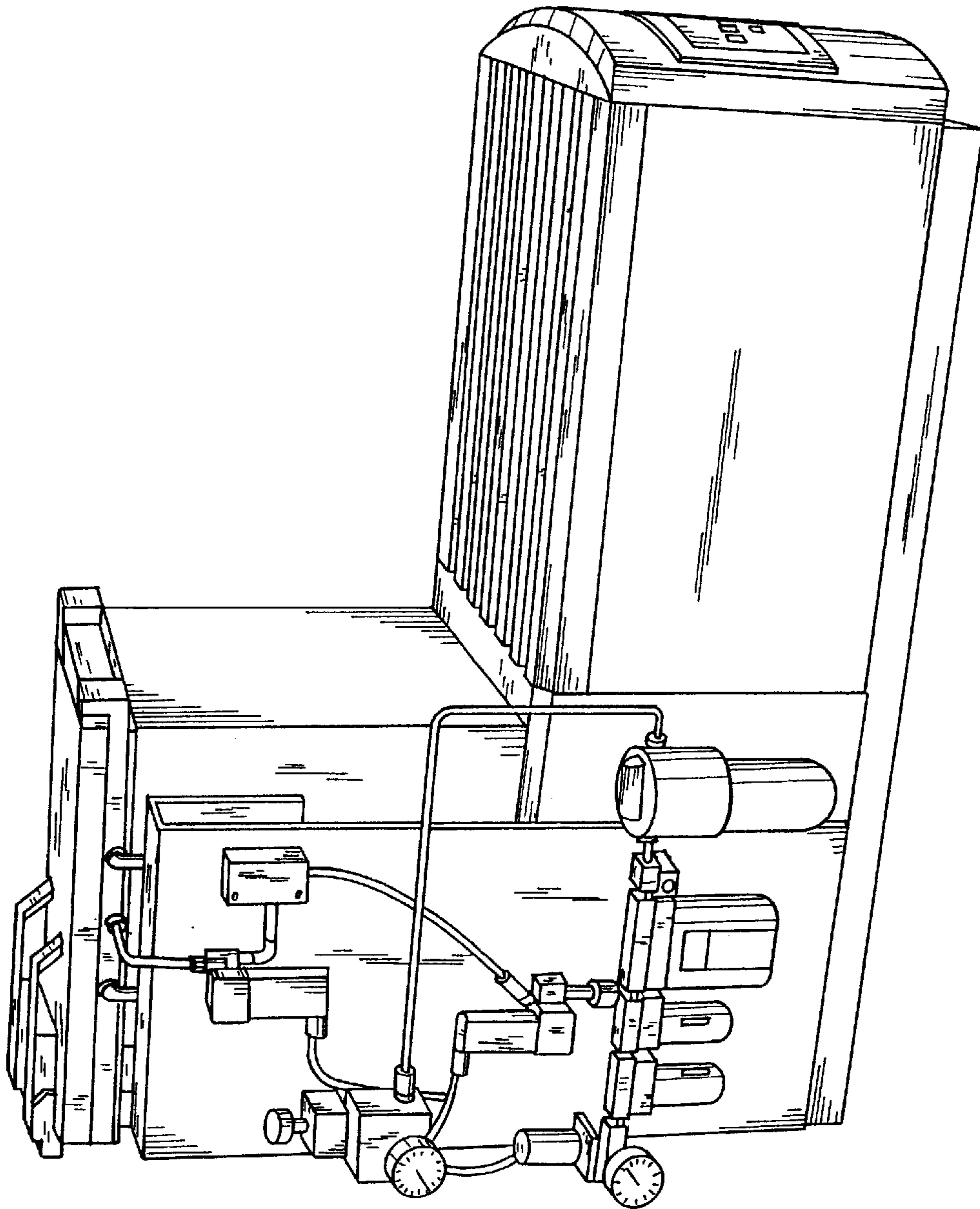


FIG. 1

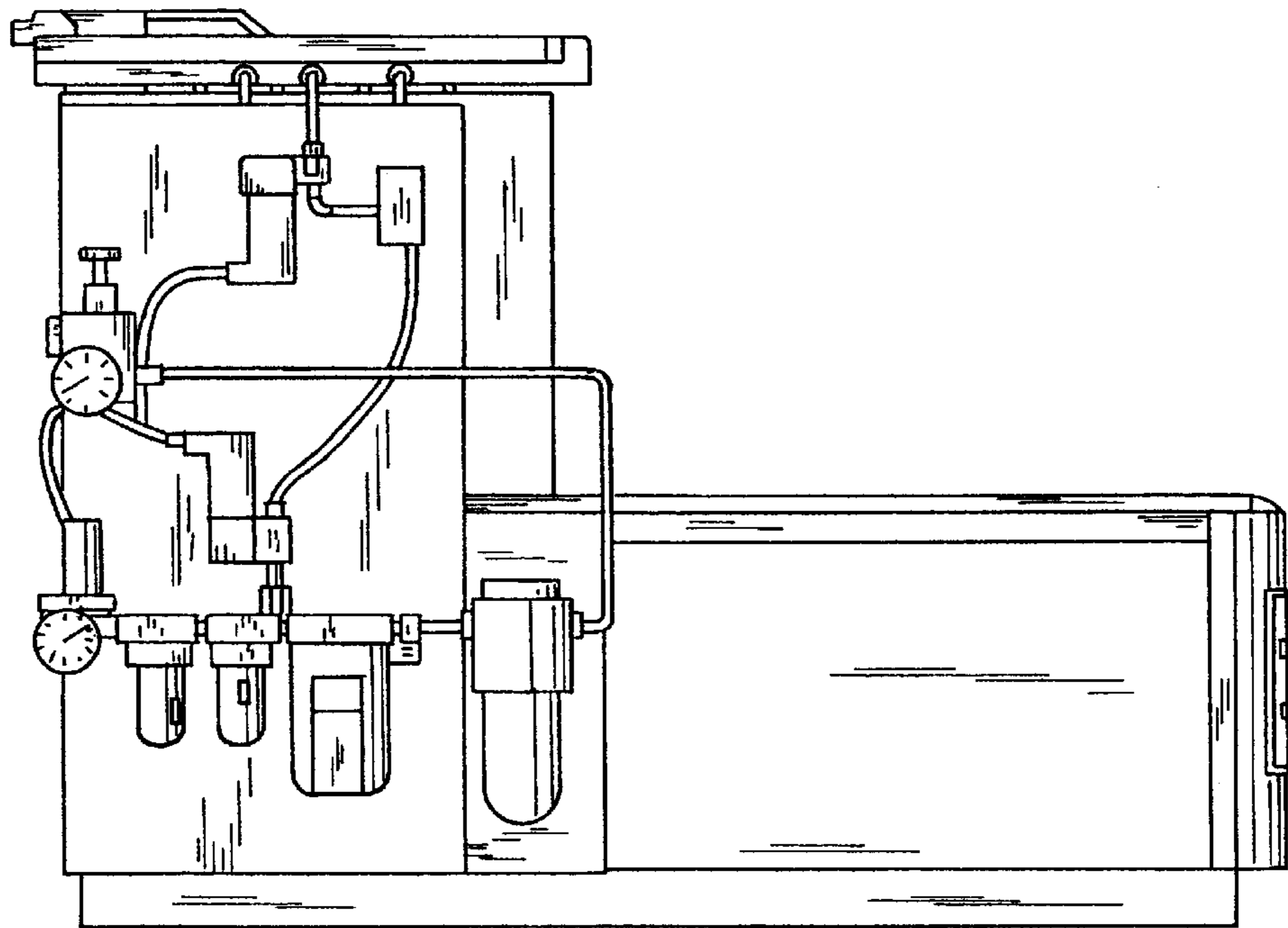


FIG. 2

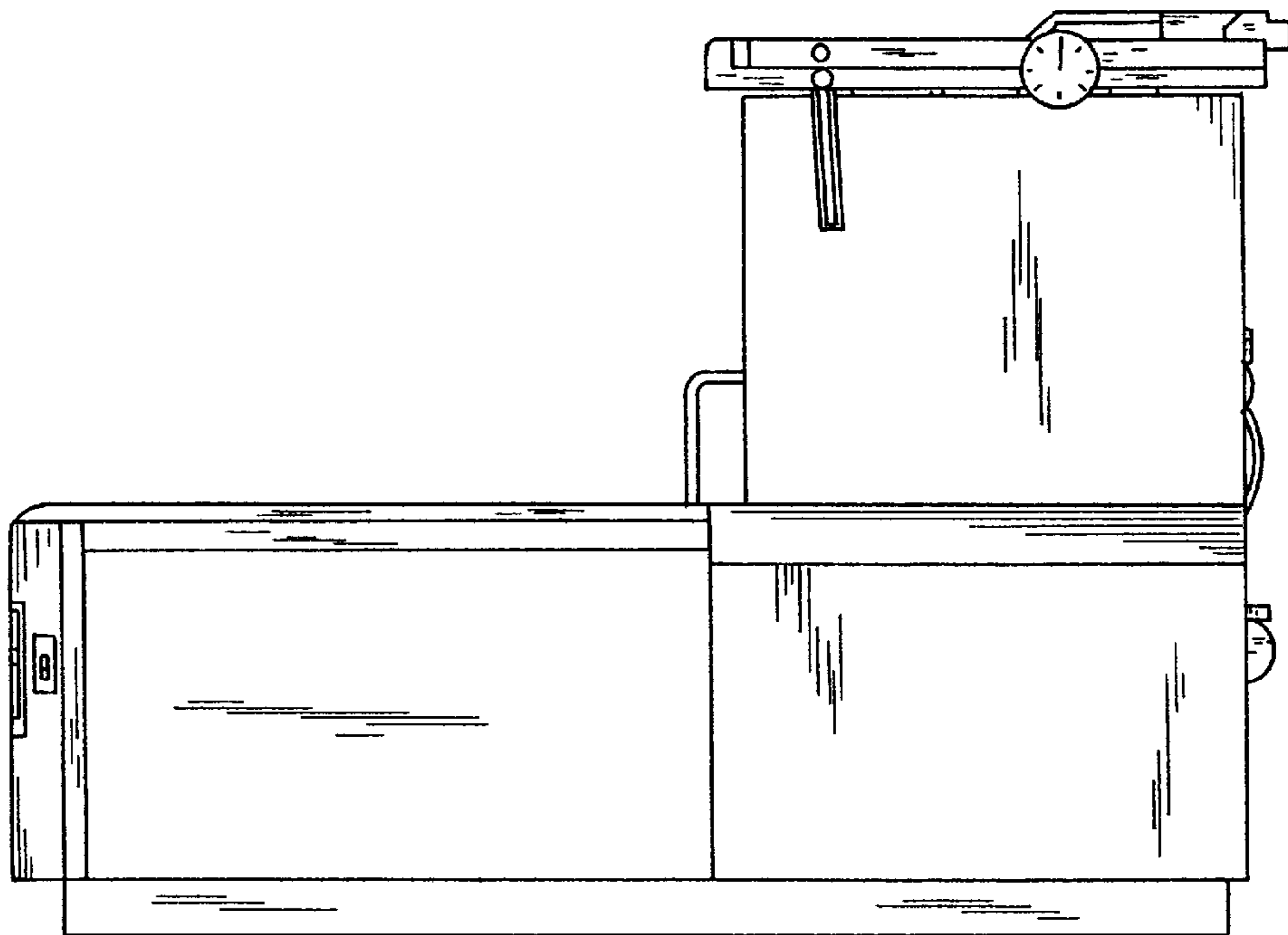


FIG. 3

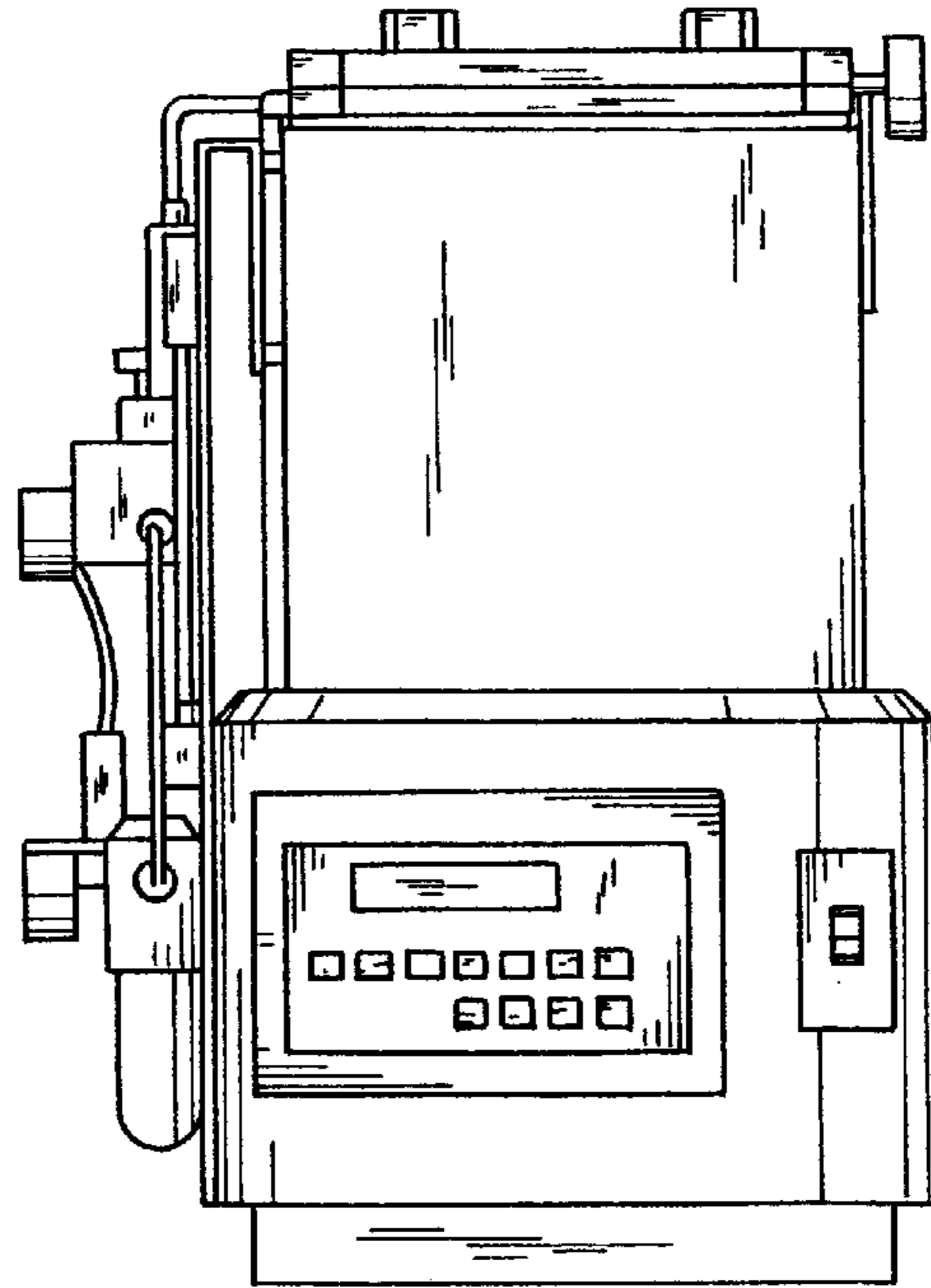


FIG. 4

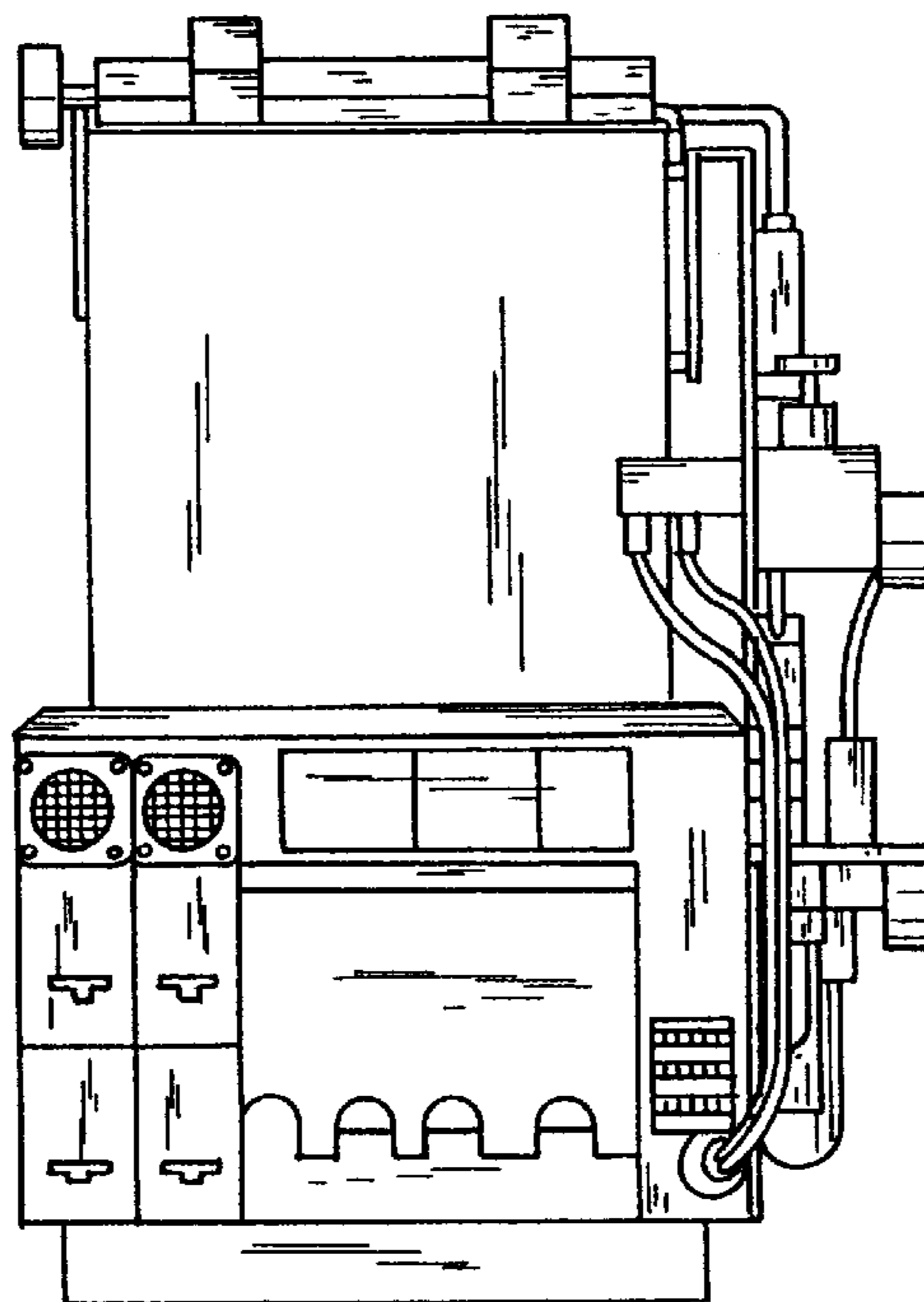


FIG. 5

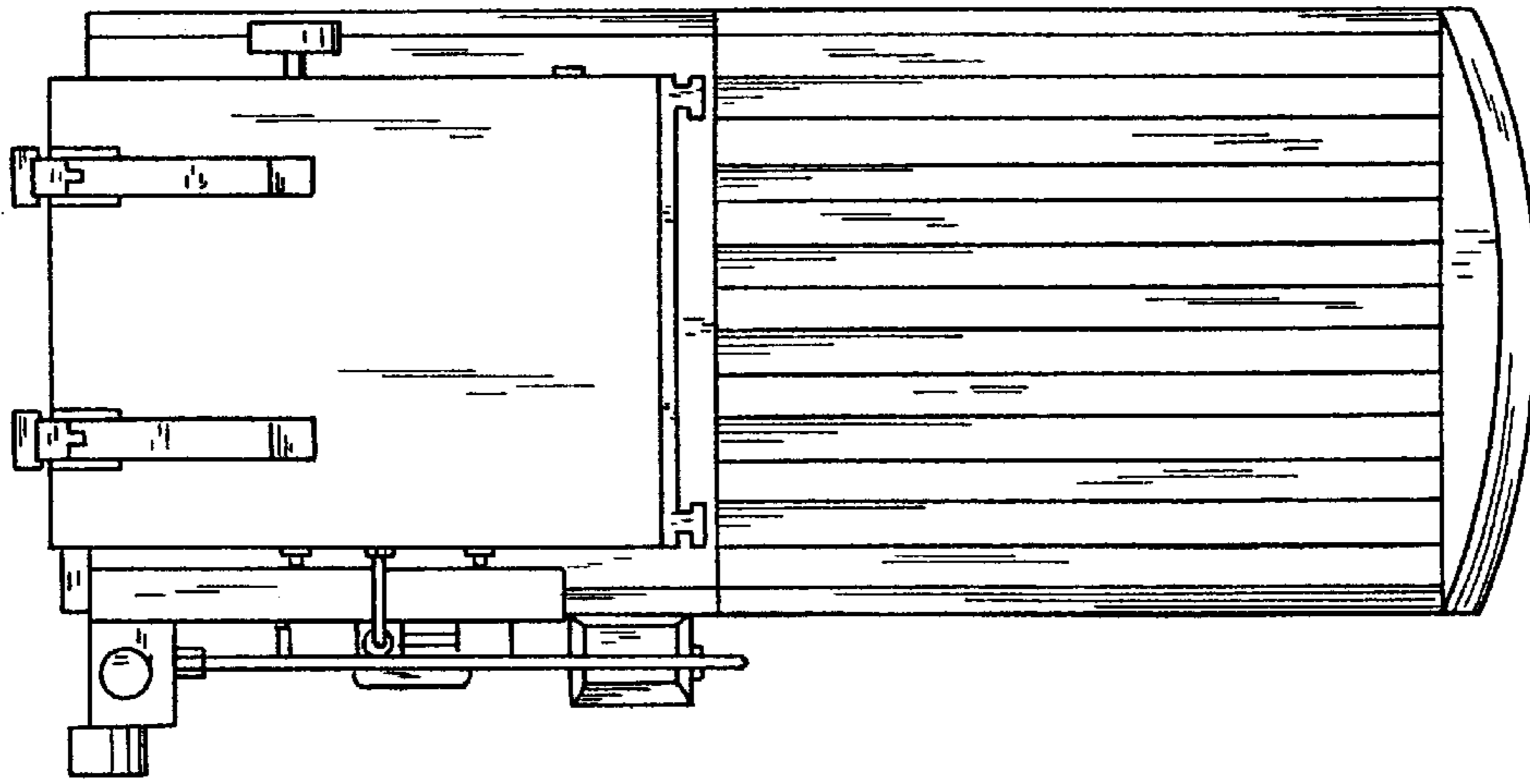


FIG. 6

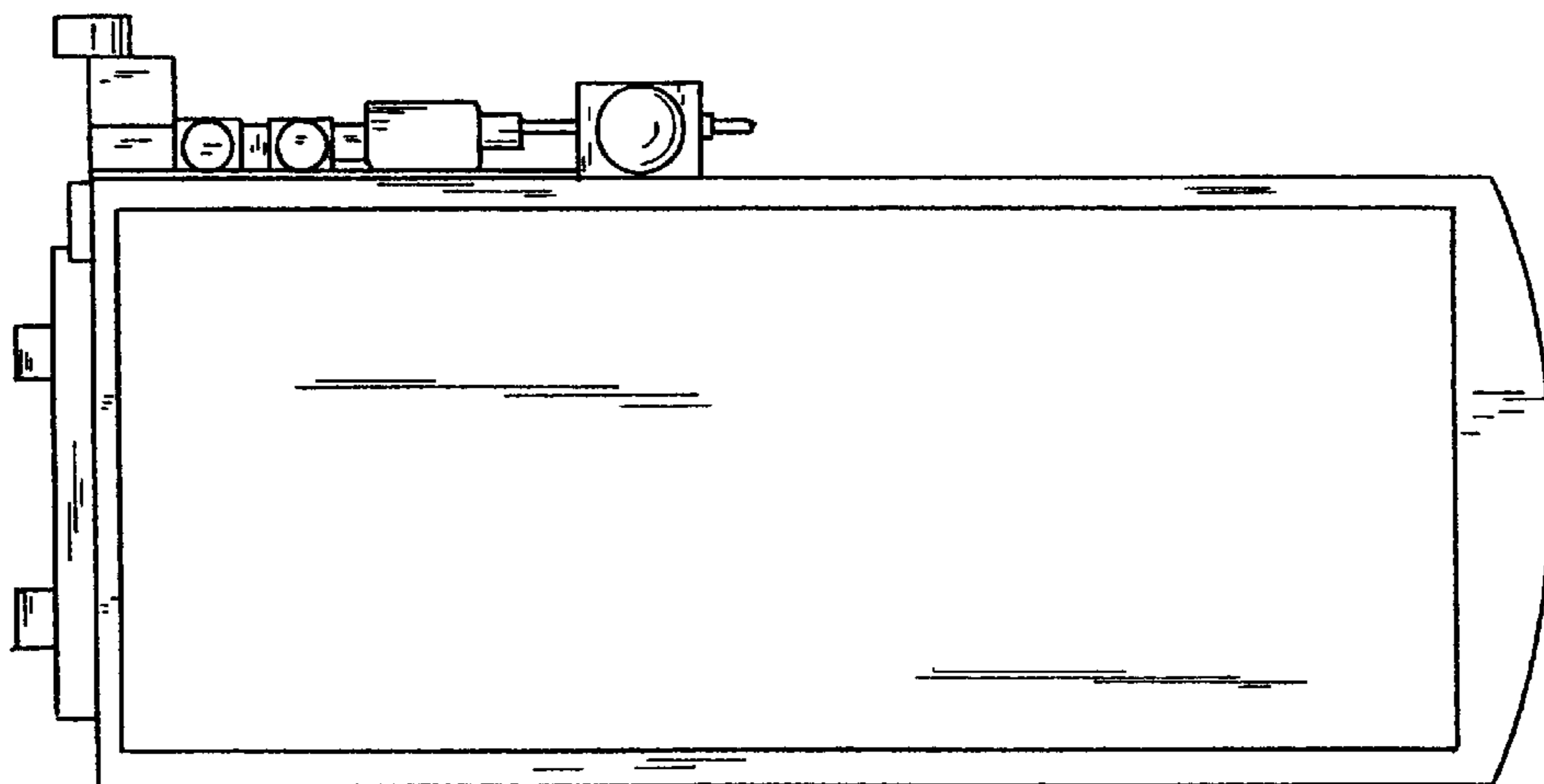


FIG. 7