



US00D452513B1

(12) **United States Design Patent**  
**Uehara**

(10) **Patent No.:** **US D452,513 S**

(45) **Date of Patent:** **\*\* Dec. 25, 2001**

(54) **VIDEO CONTROLLER**

5,759,100 \* 6/1998 Nakanishi ..... 273/148 B

(75) Inventor: **Mitsuhiro Uehara**, Tokyo (JP)

**OTHER PUBLICATIONS**

(73) Assignee: **Sony Corporation**, Tokyo (JP)

Catalog "Video Equipment 2000", pp. 206 &207, Sony, Jan. 2000.

(\*\*) Term: **14 Years**

\* cited by examiner

(21) Appl. No.: **29/126,106**

*Primary Examiner*—Prabhakar Deshmukh

(22) Filed: **Jul. 11, 2000**

(74) *Attorney, Agent, or Firm*—Rader, Fishman & Grauer, PLLC

(51) **LOC (7) Cl.** ..... **14-03**

(52) **U.S. Cl.** ..... **D14/496**

(58) **Field of Search** ..... D21/324, 333;  
D14/496, 125, 217, 400, 435; 273/148 B;  
463/1, 29-35, 46, 47; 340/825.25; 364/410;  
345/156, 157

(57) **CLAIM**

The ornamental design for a video controller, as shown and described.

(56) **References Cited**

**DESCRIPTION**

**U.S. PATENT DOCUMENTS**

- D. 299,726 \* 2/1989 Yukawa ..... D21/332
- D. 381,647 \* 7/1997 Terng ..... D14/358
- D. 412,332 7/1999 Yuyama ..... D14/156
- D. 421,255 \* 2/2000 Hisatsune et al. .... D14/125
- D. 427,627 \* 7/2000 Ikenaga ..... D18/50
- 4,422,105 \* 12/1983 Rodesch et al. .... 345/328
- 5,259,626 \* 11/1993 Ho ..... 273/148 B

FIG. 1 is a perspective view of a video controller showing my design;

FIG. 2 is a top plan view thereof;

FIG. 3 is a rear elevational view thereof;

FIG. 4 is a left side elevational view thereof;

FIG. 5 is a front elevational view thereof;

FIG. 6 is a right side elevational view thereof; and,

FIG. 7 is a bottom plan view thereof.

**1 Claim, 3 Drawing Sheets**

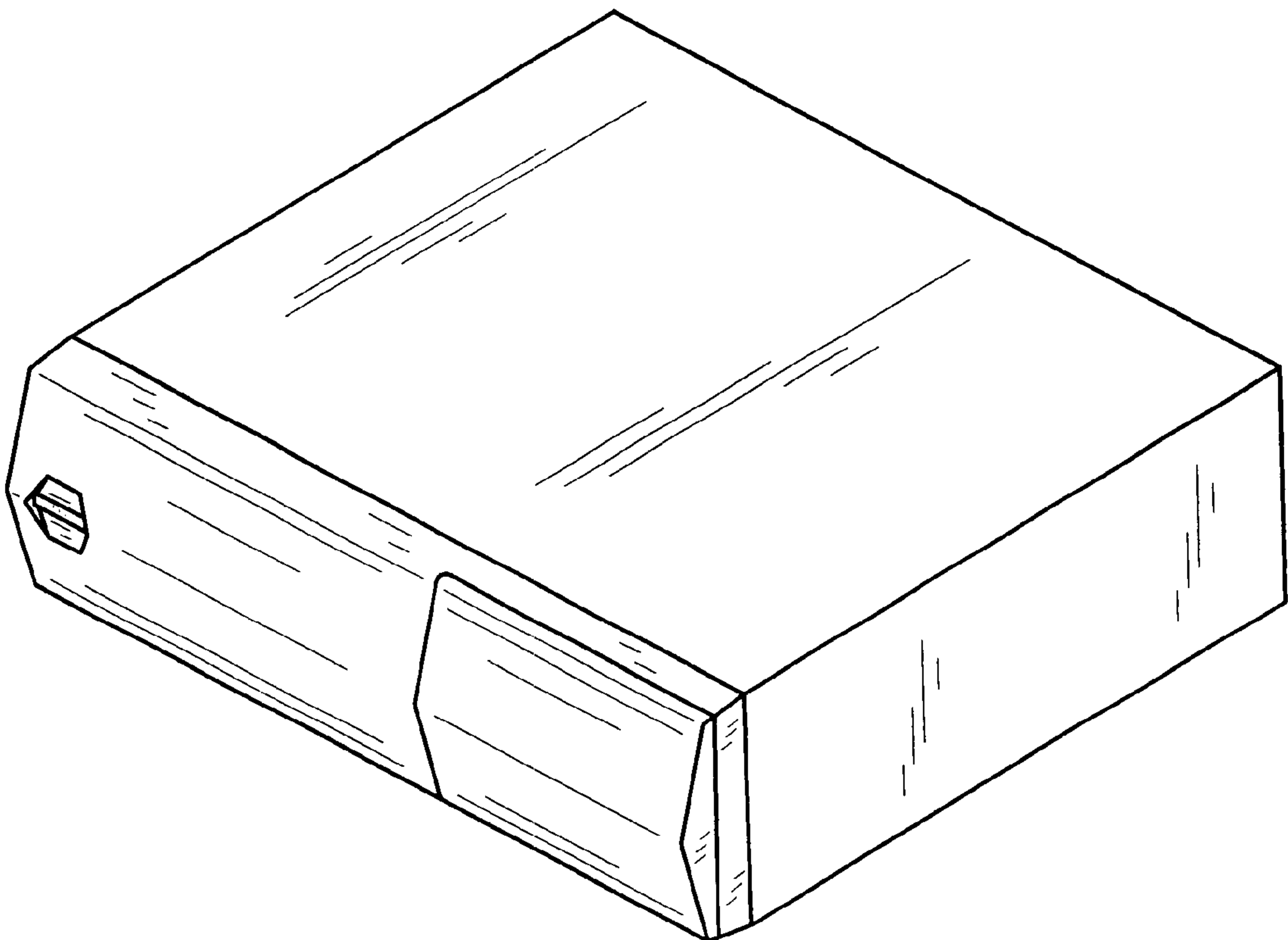


FIG. 1

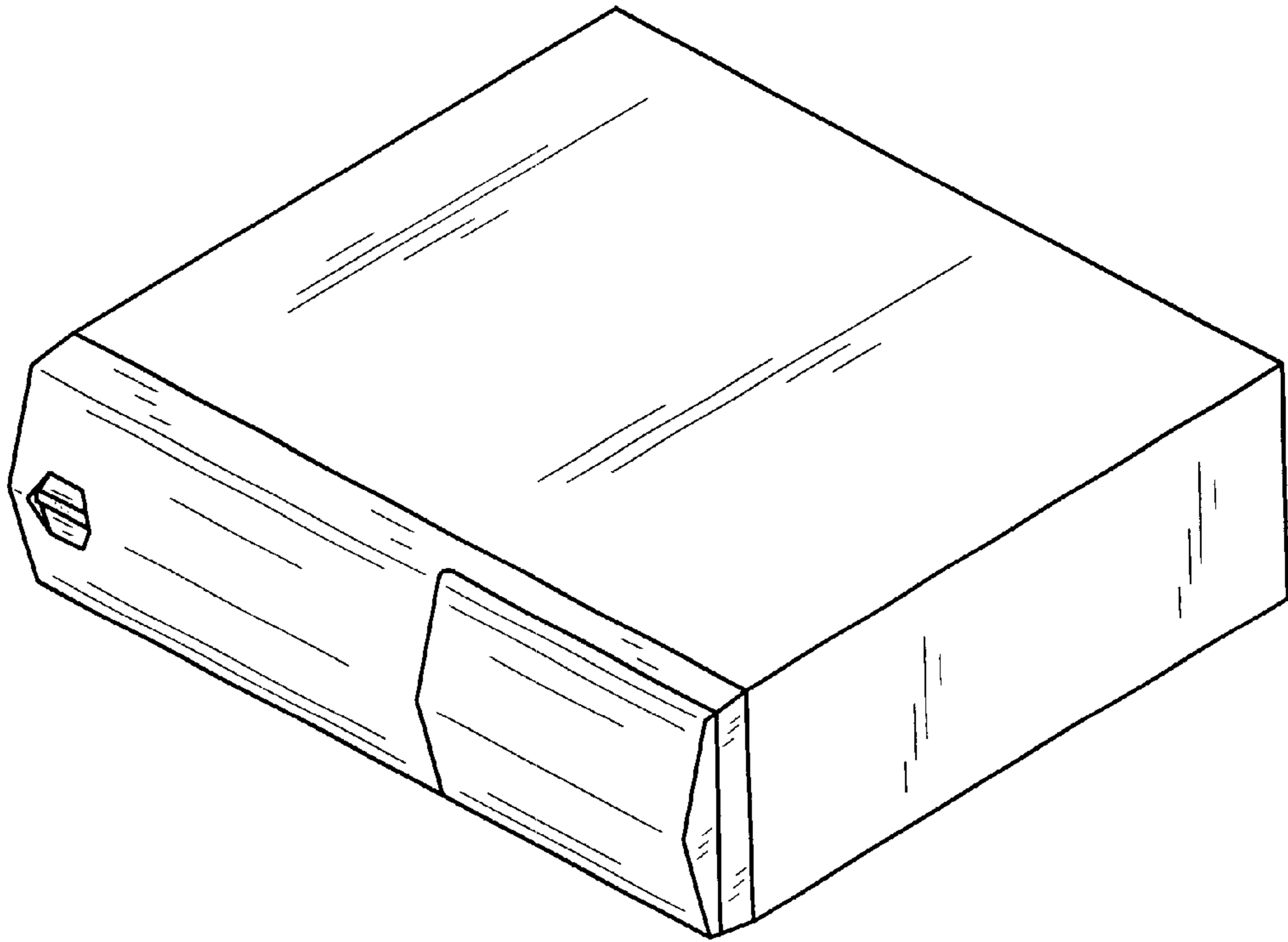


FIG. 2

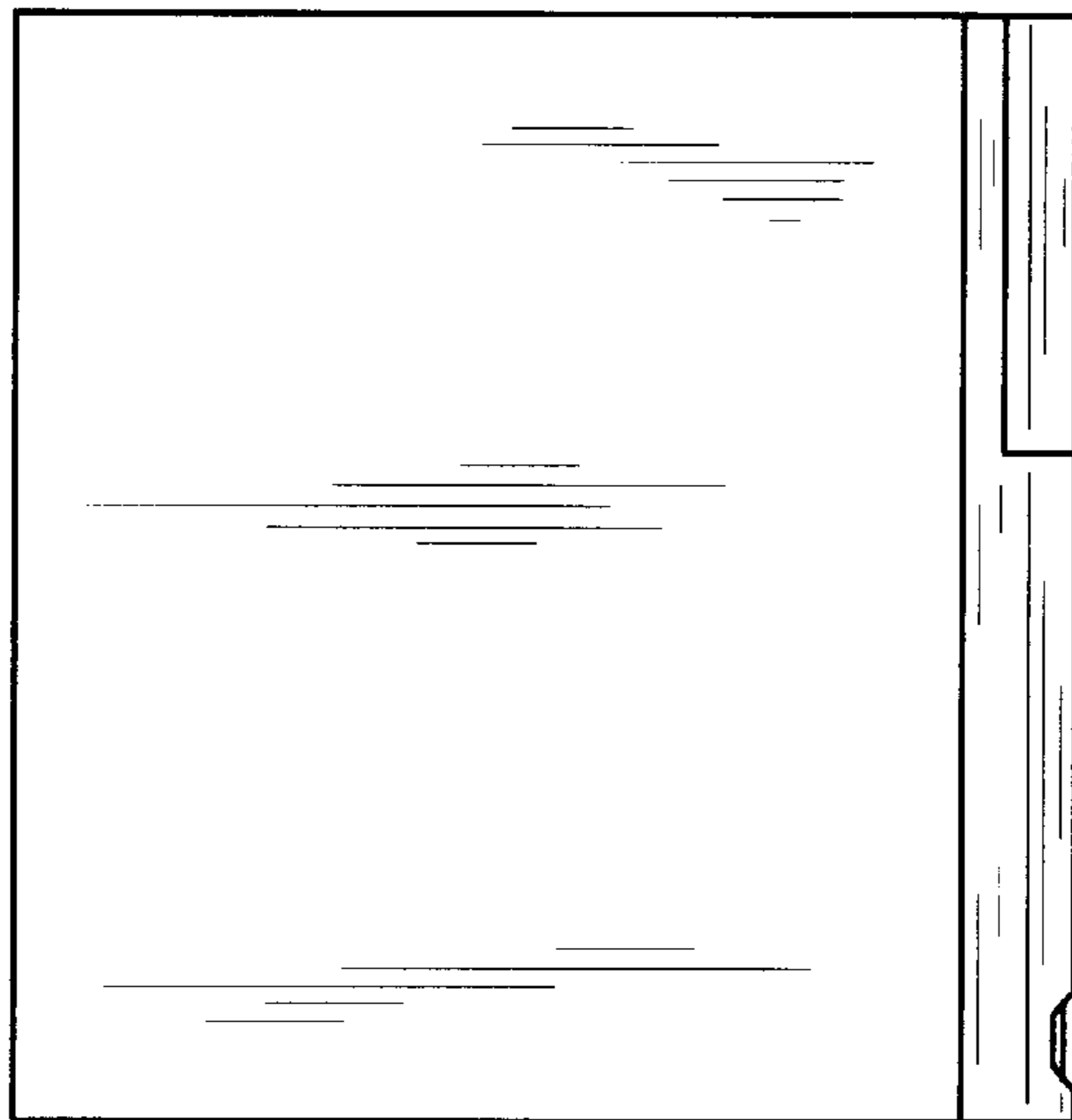


FIG. 3

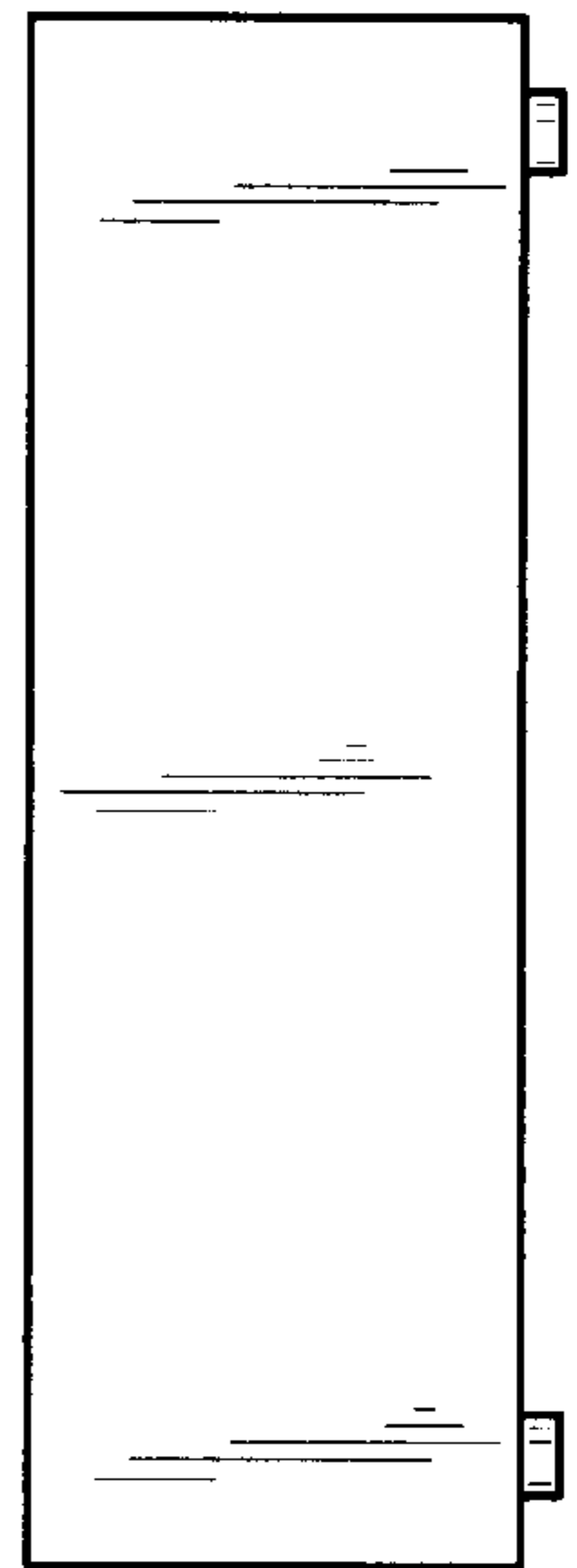


FIG. 4

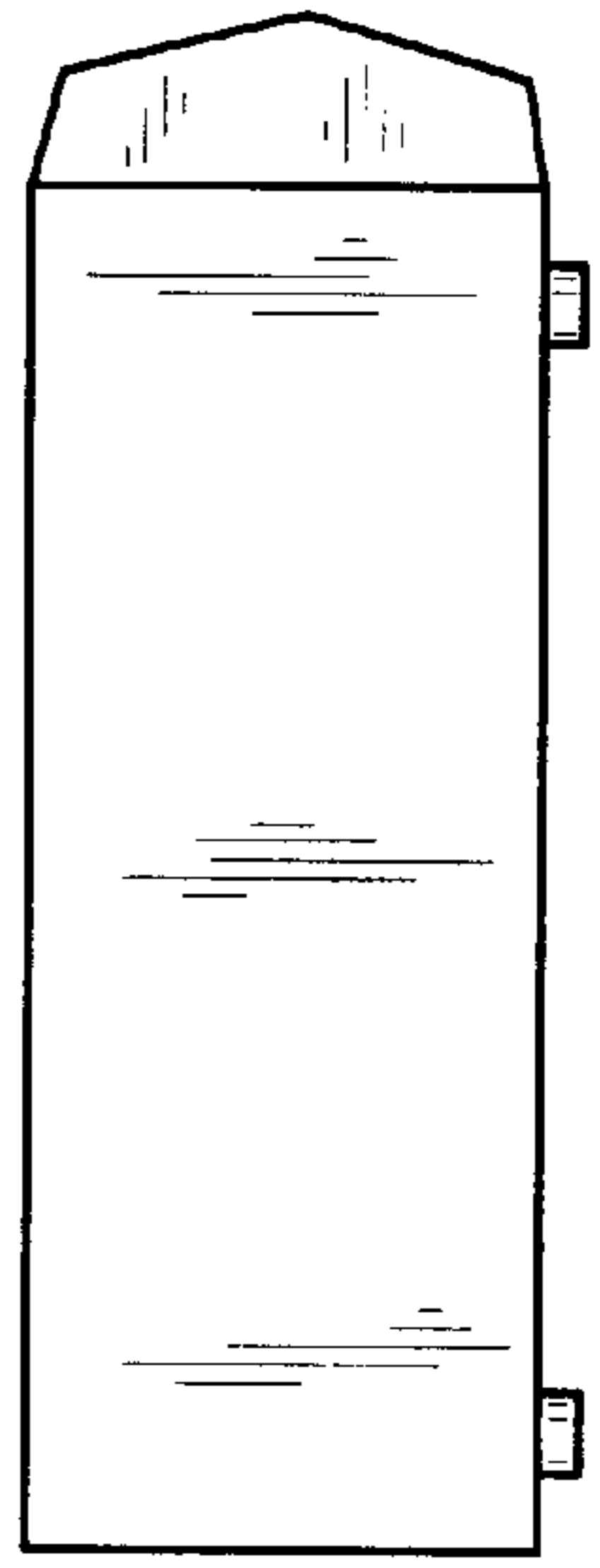


FIG. 6

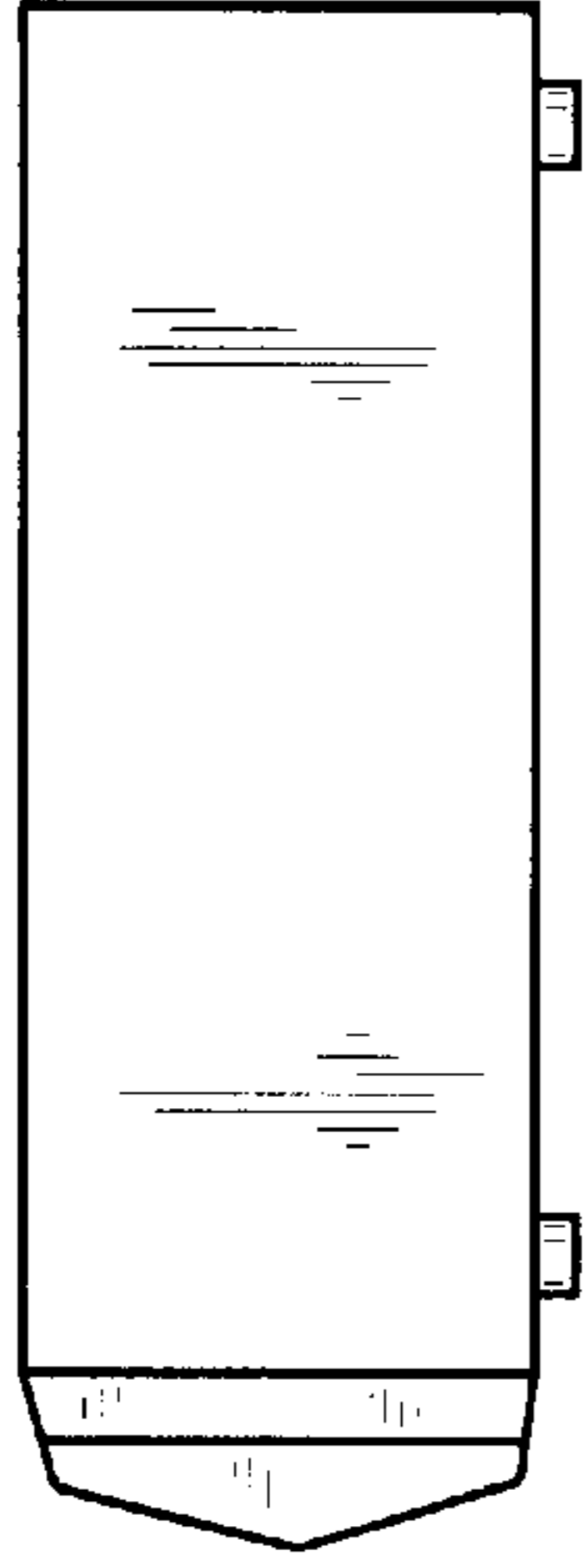


FIG. 5

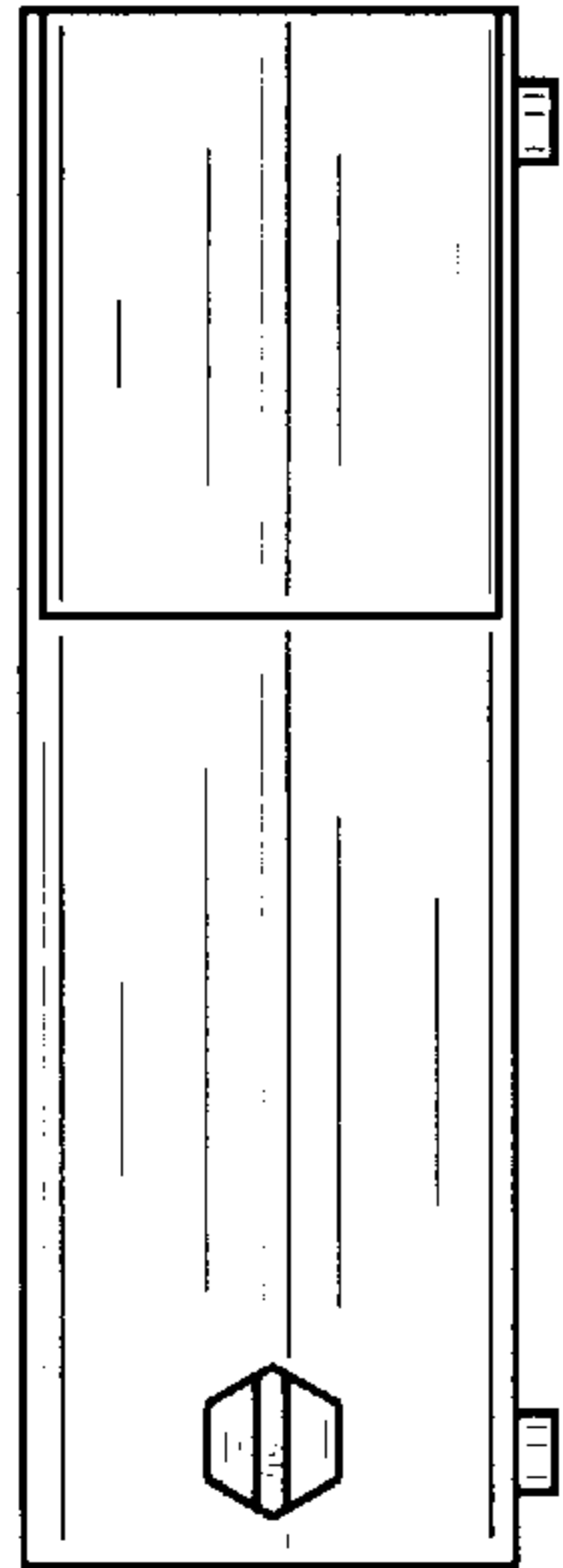


FIG. 7

