



US00D452512B1

(12) **United States Design Patent**
Lee

(10) **Patent No.:** **US D452,512 S**

(45) **Date of Patent:** **** Dec. 25, 2001**

(54) **PANCAKE HUB FOR WINDING MAGNETIC TAPE**

6,047,921 * 4/2000 Liepold et al. 242/613

* cited by examiner

(75) **Inventor:** **Kang-Hak Lee**, Chungcheongbuk-do (KR)

Primary Examiner—Prabhakar Deshmukh

(73) **Assignee:** **Saehan Media Corporation**, Inchon (KR)

(74) *Attorney, Agent, or Firm*—Christie, Parker & Hale, LLP

(**) **Term:** **14 Years**

(57) **CLAIM**

The ornamental design for a pancake hub for winding magnetic tape, as shown and described.

(21) **Appl. No.:** **29/131,422**

DESCRIPTION

(22) **Filed:** **Oct. 20, 2000**

(51) **LOC (7) Cl.** **14-99**

(52) **U.S. Cl.** **D14/484**

(58) **Field of Search** D14/483, 484, D14/474, 475; 242/346, 346.2, 347, 347.2, 348, 335, 600, 609, 613, 615.2; 360/60, 132, 135, 900

FIG. 1 is a front elevational view of the design for a pancake hub for winding magnetic tape;

FIG. 2 is a rear elevational view of the design of FIG. 1;

FIG. 3 is a left side elevational view of the design of FIG. 1;

FIG. 4 is a right side elevational view of the design of FIG. 1;

FIG. 5 is a top plan view of the design of FIG. 1;

FIG. 6 is a bottom plan view of the design of FIG. 1;

FIG. 7 is a top, front, right side perspective view of the design of FIG. 1; and,

FIG. 8 is a section view of the design by a line 8—8 of FIG. 1 for reference.

The surface(s) or portion(s) of the article not shown in the drawing or described in the specification form(s) no part of the claimed design.

(56) **References Cited**

U.S. PATENT DOCUMENTS

D. 316,713	*	5/1991	Sun Kag	D14/484
D. 411,840	*	7/1999	Lee	D14/484
D. 411,993	*	7/1999	Lee	D14/484
4,923,137	*	5/1990	Jorgenson et al.	242/613
5,004,175	*	4/1991	Lee	242/613
5,257,749	*	11/1993	Liepold et al.	242/613
5,873,543	*	2/1999	Schneider et al.	242/613

1 Claim, 5 Drawing Sheets

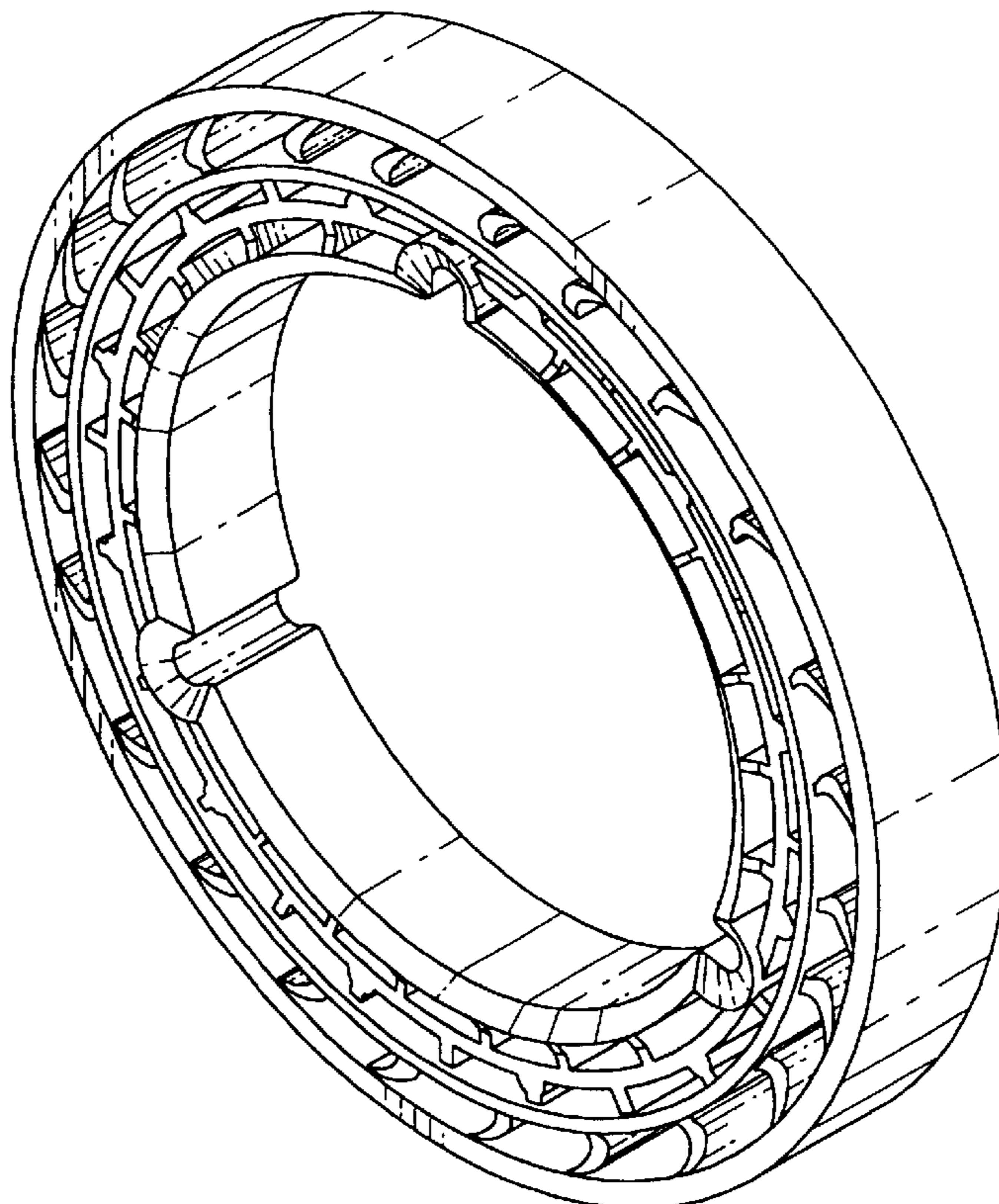


Fig.1

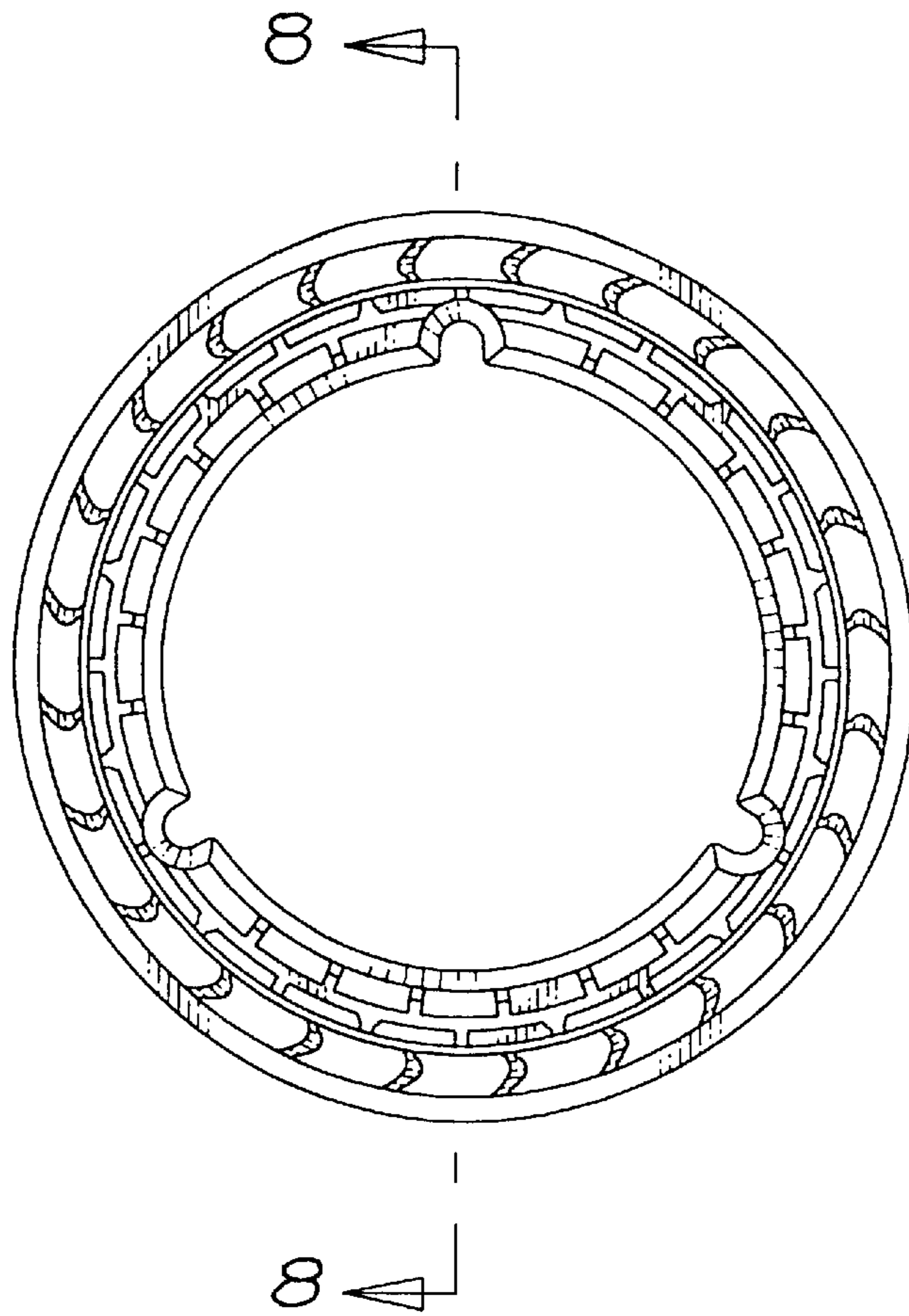


Fig.2

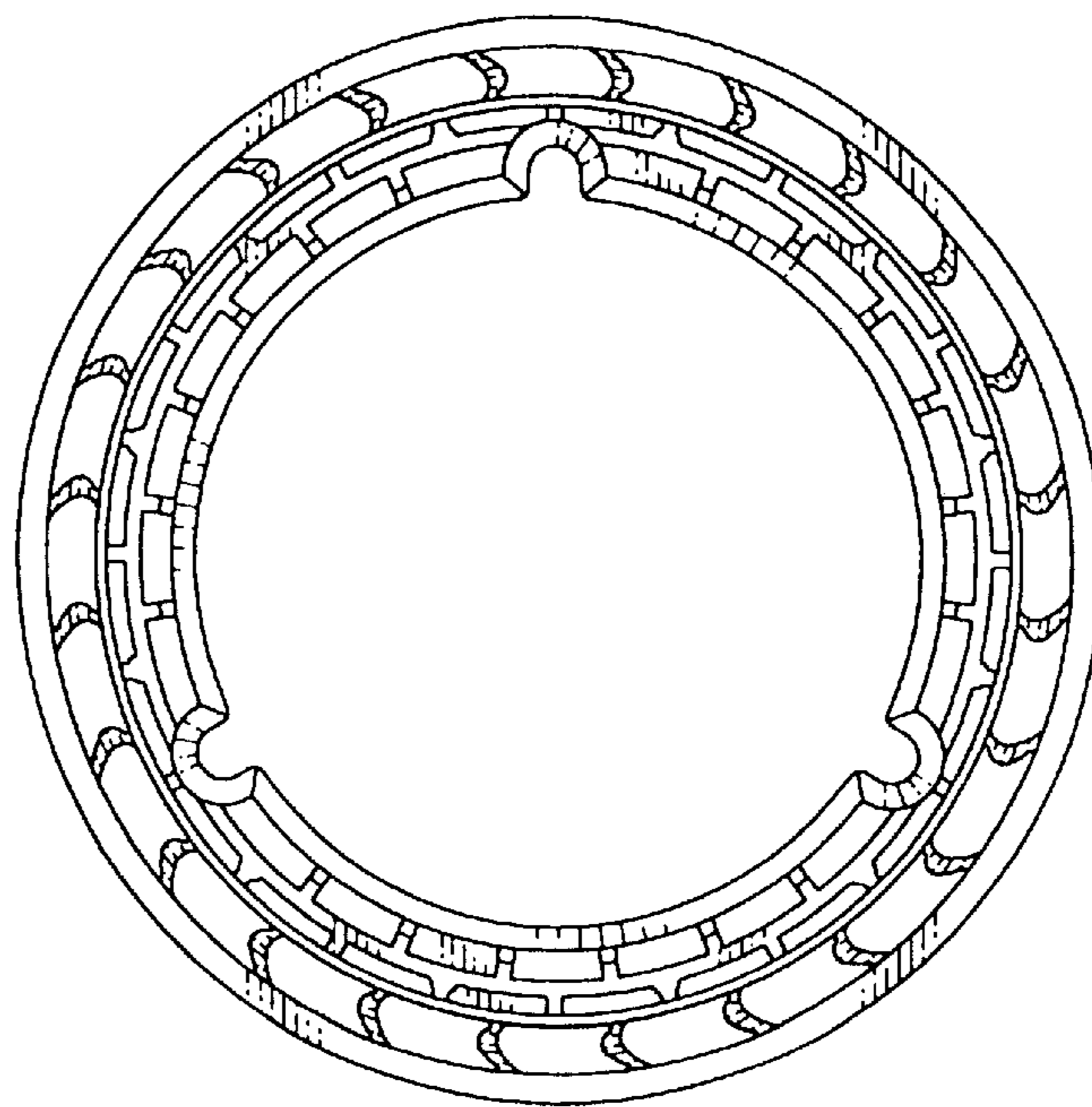


Fig.3



Fig.4

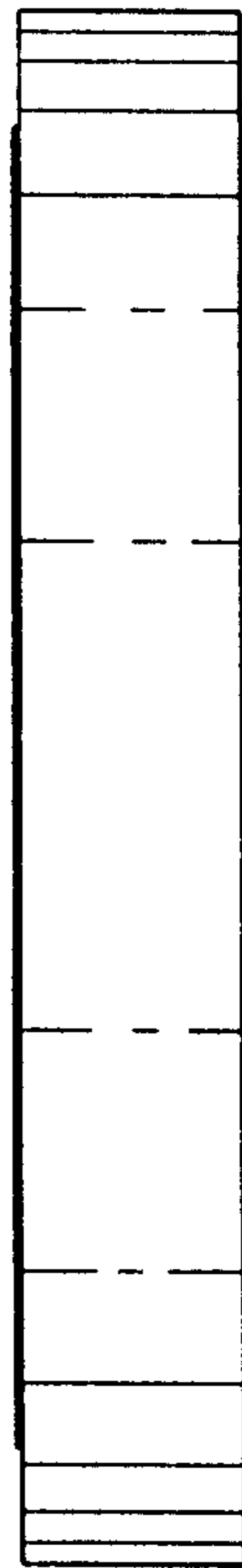


Fig.5



Fig.6



Fig.7

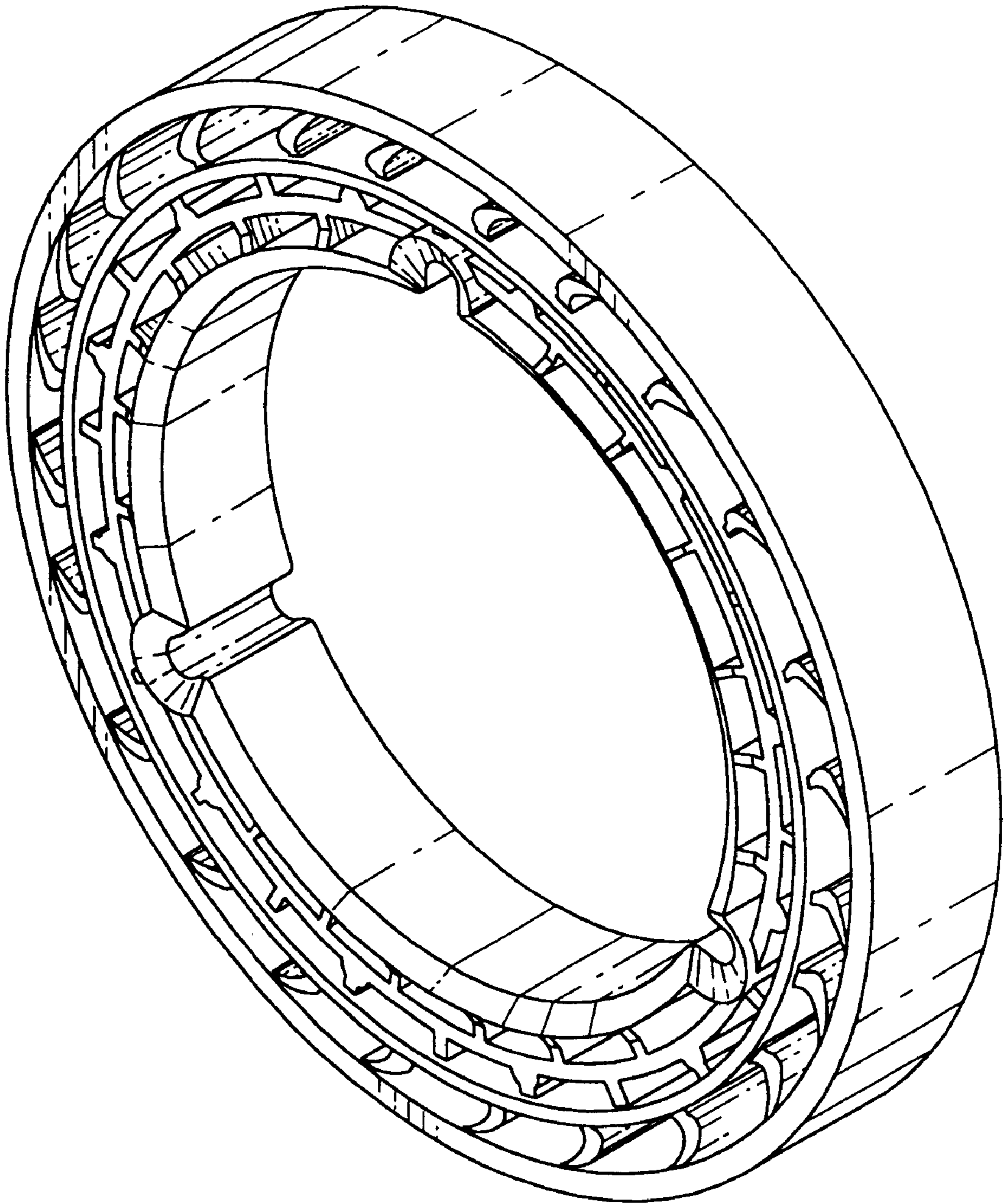


Fig. 8

