



US00D452510B1

(12) **United States Design Patent**
Irvine et al.

(10) **Patent No.:** **US D452,510 S**

(45) **Date of Patent:** **** Dec. 25, 2001**

(54) **FACSIMILE**

(75) **Inventors:** **James Irvine**, Milan (IT); **Masaaki Ishibashi**, Hino; **Motoaki Takeuchi**, Tokyo, both of (JP)

(73) **Assignee:** **Canon Kabushiki Kaisha**, Tokyo (JP)

(**) **Term:** **14 Years**

(21) **Appl. No.:** **29/138,415**

(22) **Filed:** **Mar. 14, 2001**

(30) **Foreign Application Priority Data**

Sep. 14, 2000 (JP) 12-025753

(51) **LOC (7) Cl.** **16-03**

(52) **U.S. Cl.** **D14/467**

(58) **Field of Search** D14/462-471;
358/400-404

(56) **References Cited**

U.S. PATENT DOCUMENTS

- D. 323,159 * 1/1992 Iwasaki et al. D14/468
- D. 331,401 12/1992 Takeuchi D14/118
- D. 345,155 * 3/1994 Hiroki et al. D14/468
- D. 368,259 * 3/1996 Bishop et al. D14/468
- D. 371,124 * 6/1996 Yamaguchi D14/468

- D. 407,083 * 3/1999 Yamamizu D14/468
- D. 434,776 12/2000 Takeuchi D14/469
- 4,914,281 * 4/1990 Benton et al. D14/468 X
- 5,183,431 * 2/1993 Todokoro 358/400 X
- 5,337,165 * 8/1994 Riouset et al. 358/401 X

* cited by examiner

Primary Examiner—Prabhakar Deshmukh

(74) *Attorney, Agent, or Firm*—Fitzpatrick, Cella, Harper & Scinto

(57) **CLAIM**

The ornamental design for a facsimile, as shown and described.

DESCRIPTION

FIG. 1 is a front view of a facsimile showing our new design; FIG. 2 is a rear view thereof; FIG. 3 is a top plan view thereof; FIG. 4 is a bottom plan view thereof; FIG. 5 is a left side view thereof; FIG. 6 is a right side view thereof; FIG. 7 is a perspective view thereof; FIG. 8 is a perspective view showing the state where an original sheet tray thereof is open; and, FIG. 9 is a perspective view showing the state where a handset thereof is hung off.

1 Claim, 9 Drawing Sheets



FIG. 1



FIG. 2

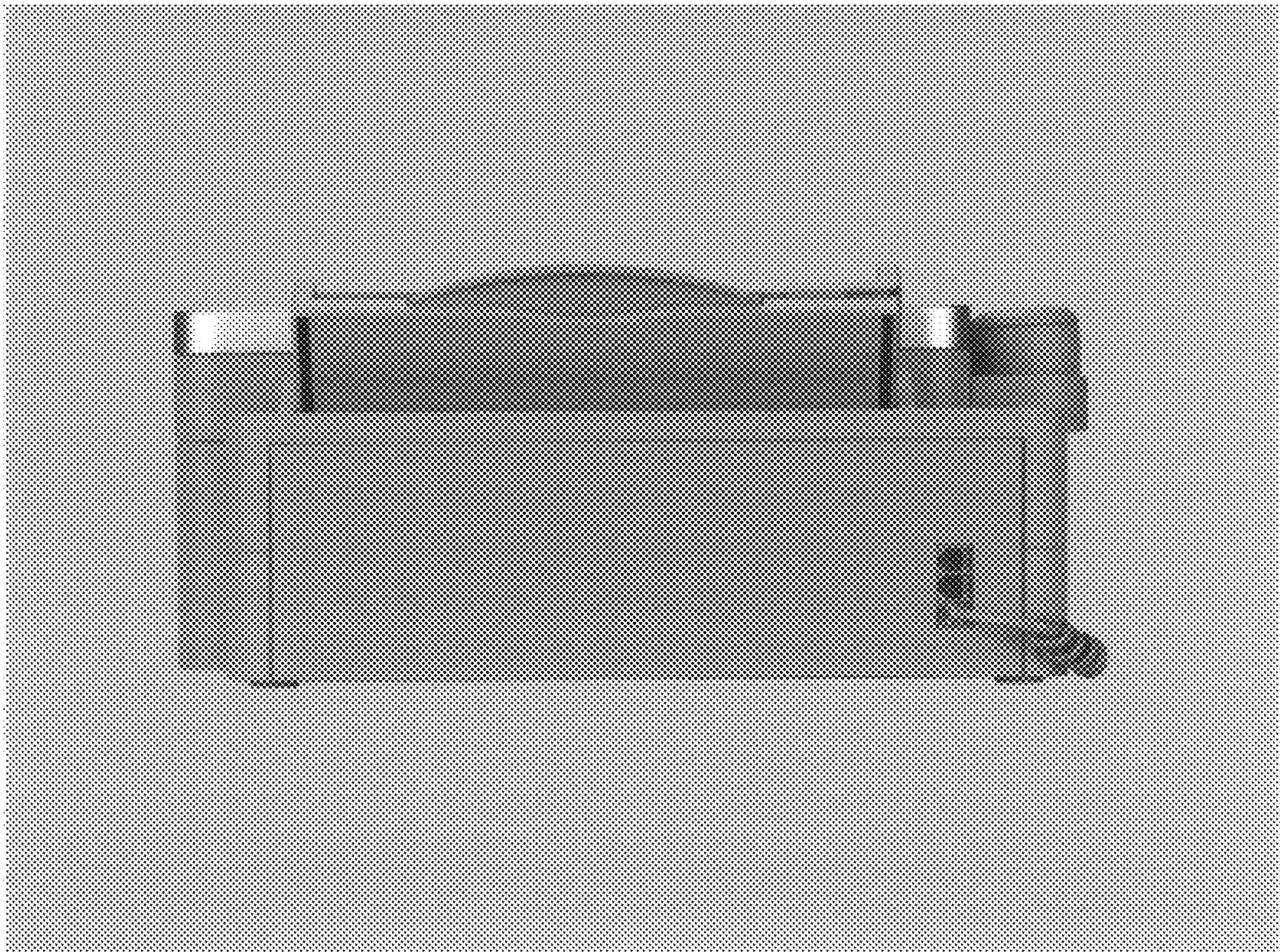


FIG. 3



FIG. 4

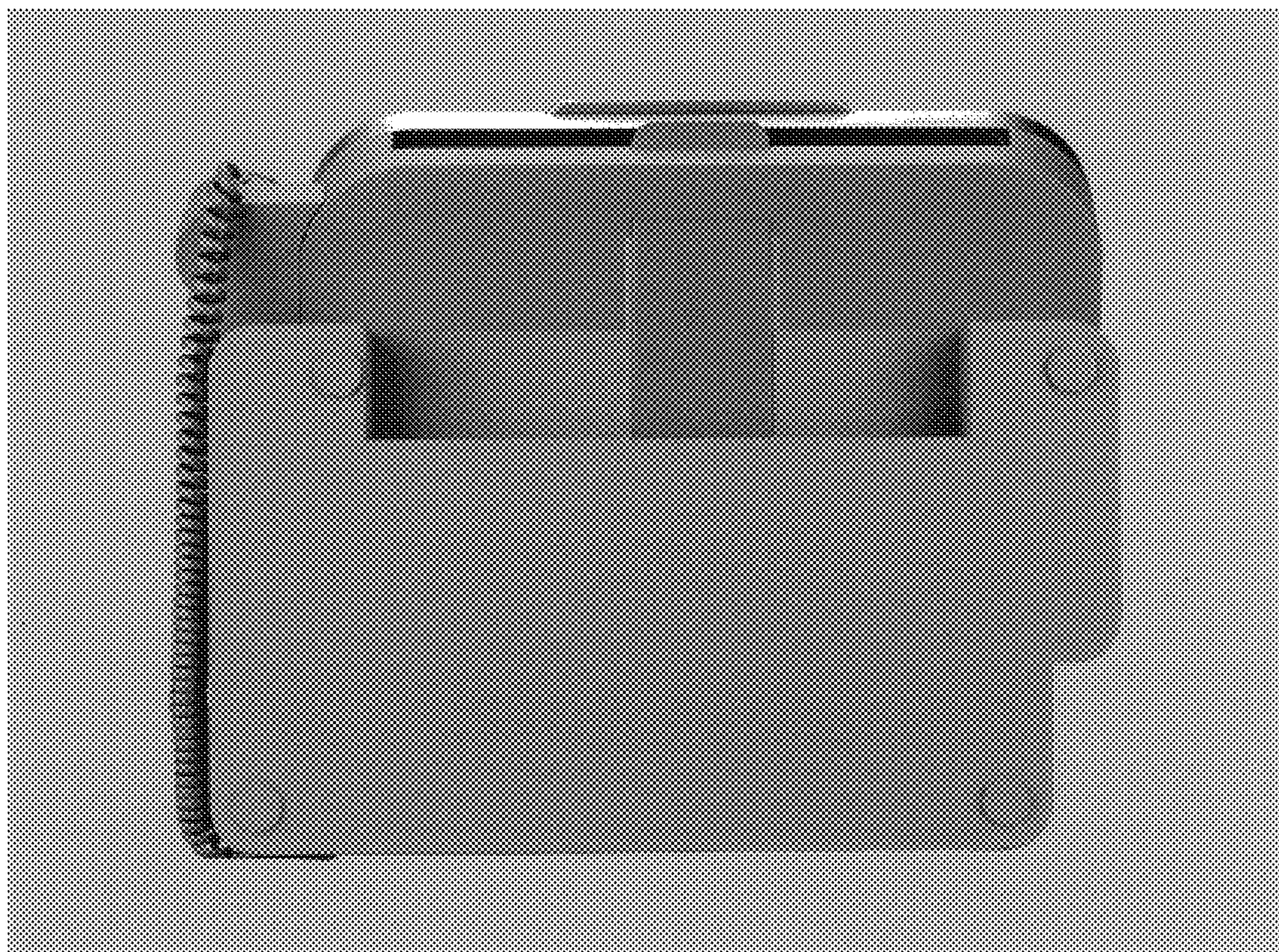


FIG. 5

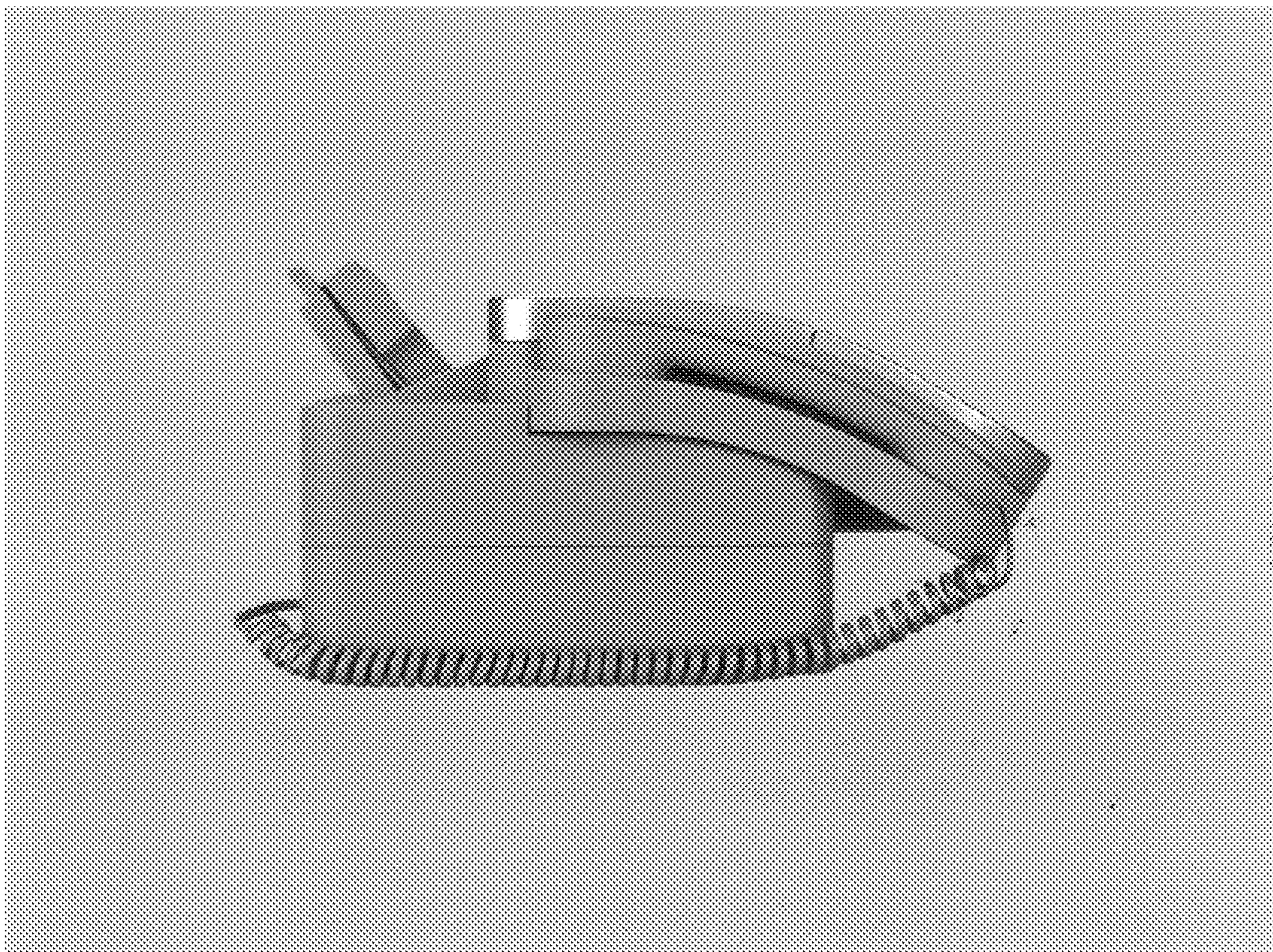


FIG. 6

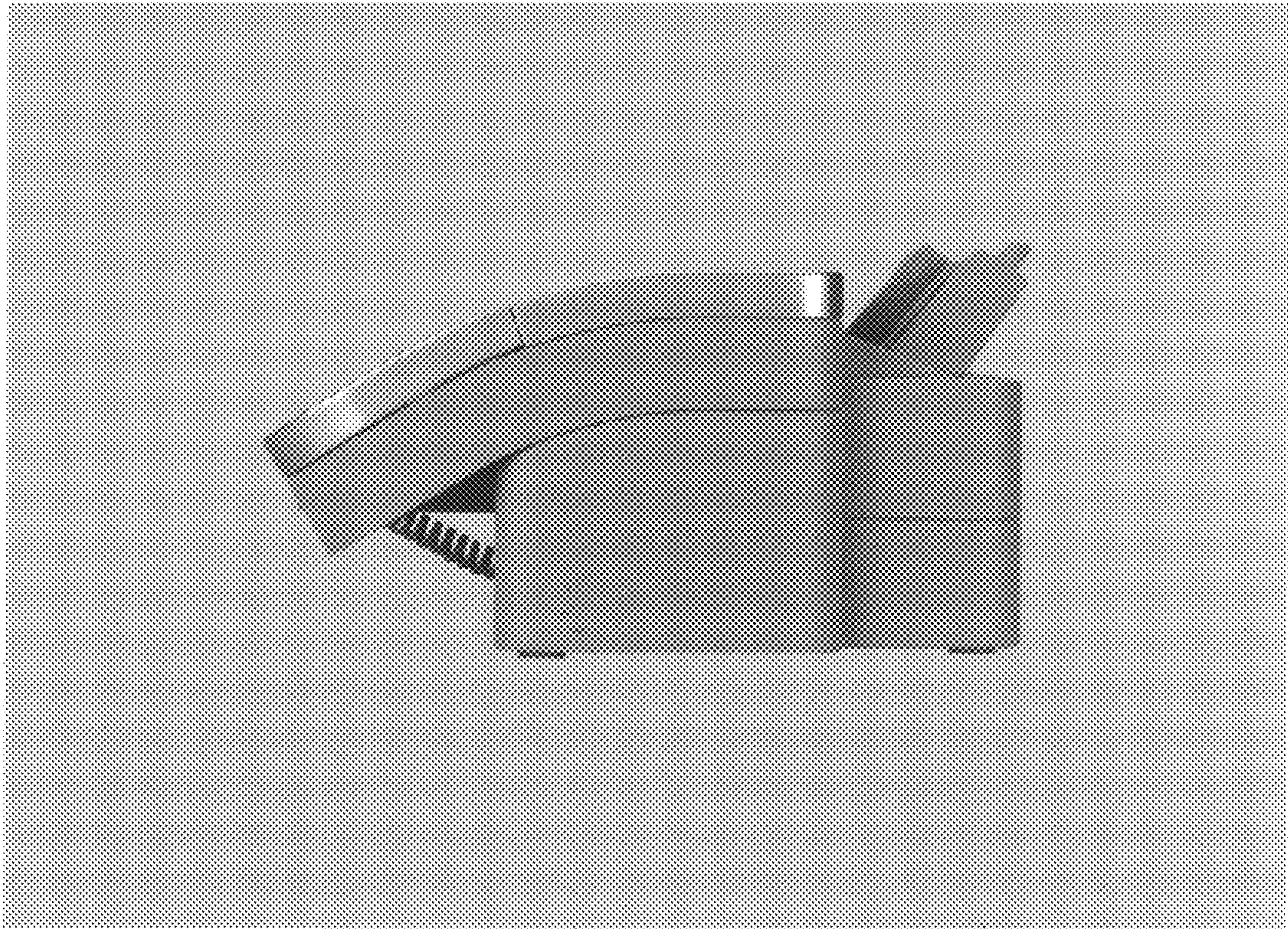


FIG. 7



FIG. 8



FIG. 9

