



US00D452507B1

(12) **United States Design Patent**  
**Tatsukoshi**

(10) **Patent No.:** **US D452,507 S**

(45) **Date of Patent:** **\*\* Dec. 25, 2001**

(54) **GLASS FUNNEL FOR A CATHODE RAY TUBE**

5,955,831 \* 9/1999 Shibata et al. .  
6,163,106 \* 12/2000 Sugawara et al. .  
6,251,811 \* 6/2001 Yanagisawa et al. .

(75) Inventor: **Kentaro Tatsukoshi**, Chiba (JP)

\* cited by examiner

(73) Assignee: **Asahi Glass Company, Limited**, Tokyo (JP)

*Primary Examiner*—M. H. Tung

(\*\*) Term: **14 Years**

(74) *Attorney, Agent, or Firm*—Oblon, Spivak, McClelland, Maier & Neustadt, P.C.

(21) Appl. No.: **29/126,183**

(22) Filed: **Jul. 12, 2000**

(57) **CLAIM**

The ornamental design for a glass funnel for a cathode ray tube, as shown and described.

(30) **Foreign Application Priority Data**

Jan. 13, 2000 (JP) ..... 12-000214

**DESCRIPTION**

(51) **LOC (7) Cl.** ..... **14-02**

(52) **U.S. Cl.** ..... **D14/448**

(58) **Field of Search** ..... D14/432, 448,  
D14/439; 65/72, 47; 313/480; 501/60, 61,  
62

FIG. 1 is a front elevational view of a glass funnel for a cathode ray tube, showing my new design, the rear view being a mirror image of the front view shown;

FIG. 2 is a top plan view thereof;

FIG. 3 is a bottom plan view thereof;

FIG. 4 is a right side elevational view thereof, the left side elevational view being a mirror image of the side view shown;

FIG. 5 is a cross-sectional view taken along line V—V of FIG. 2; and,

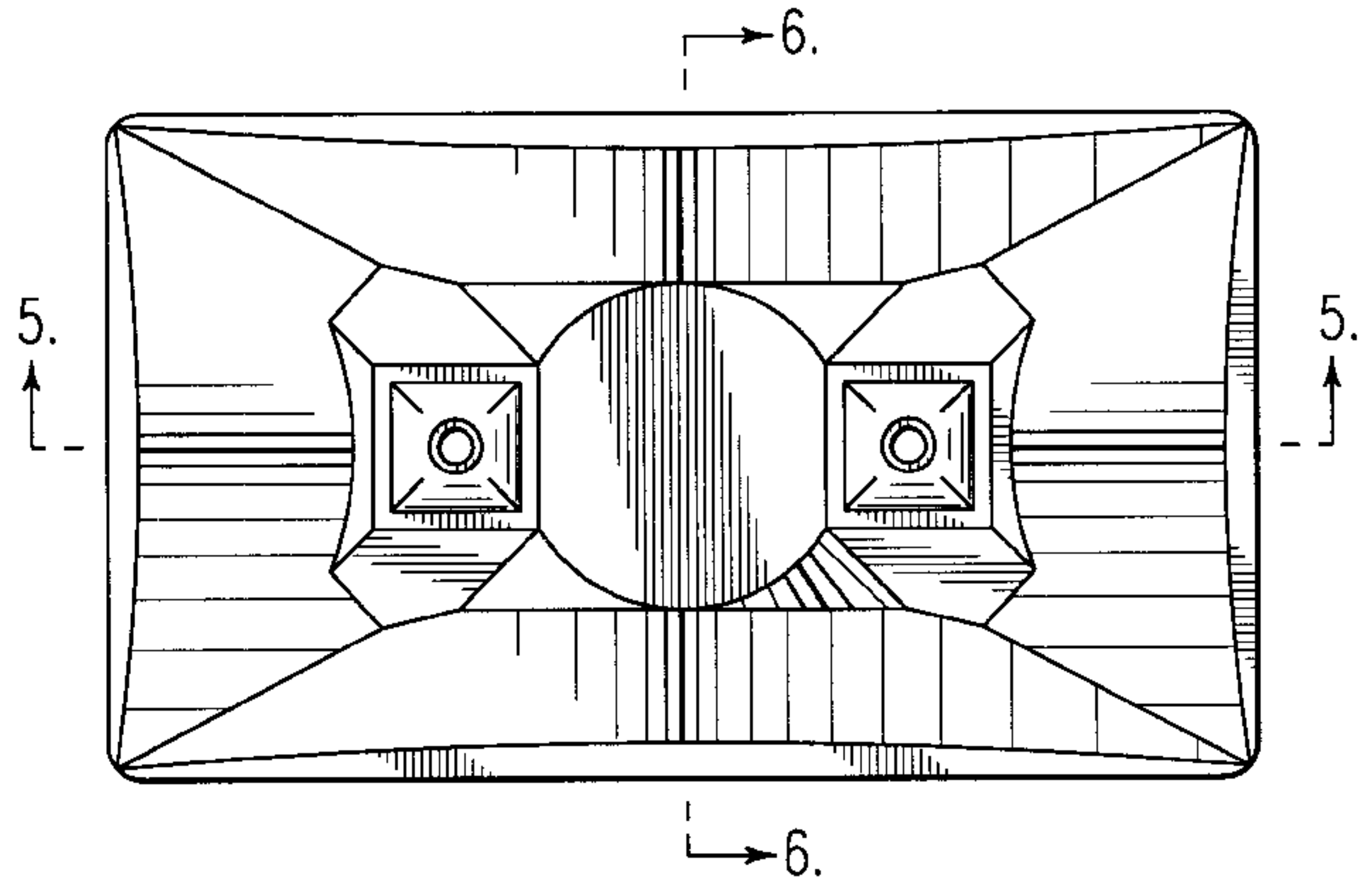
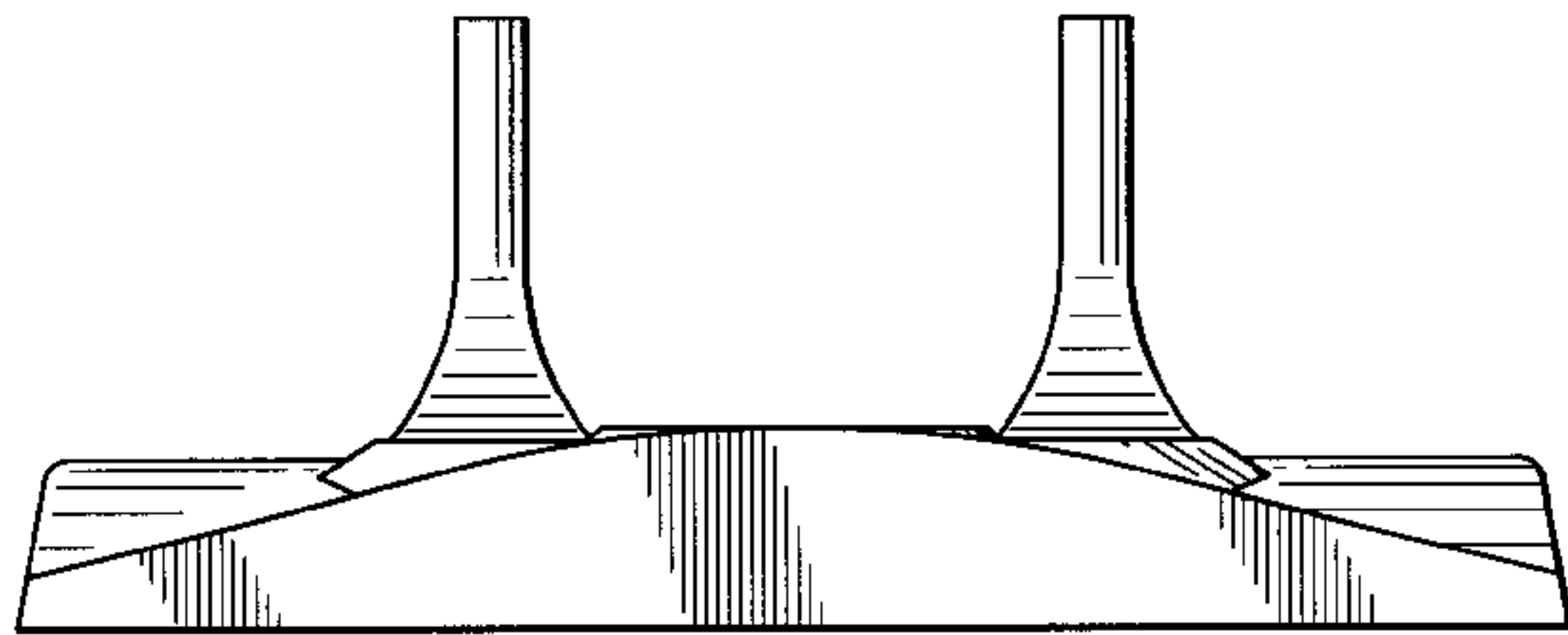
FIG. 6 is a cross-sectional view taken along line VI—VI of FIG. 2.

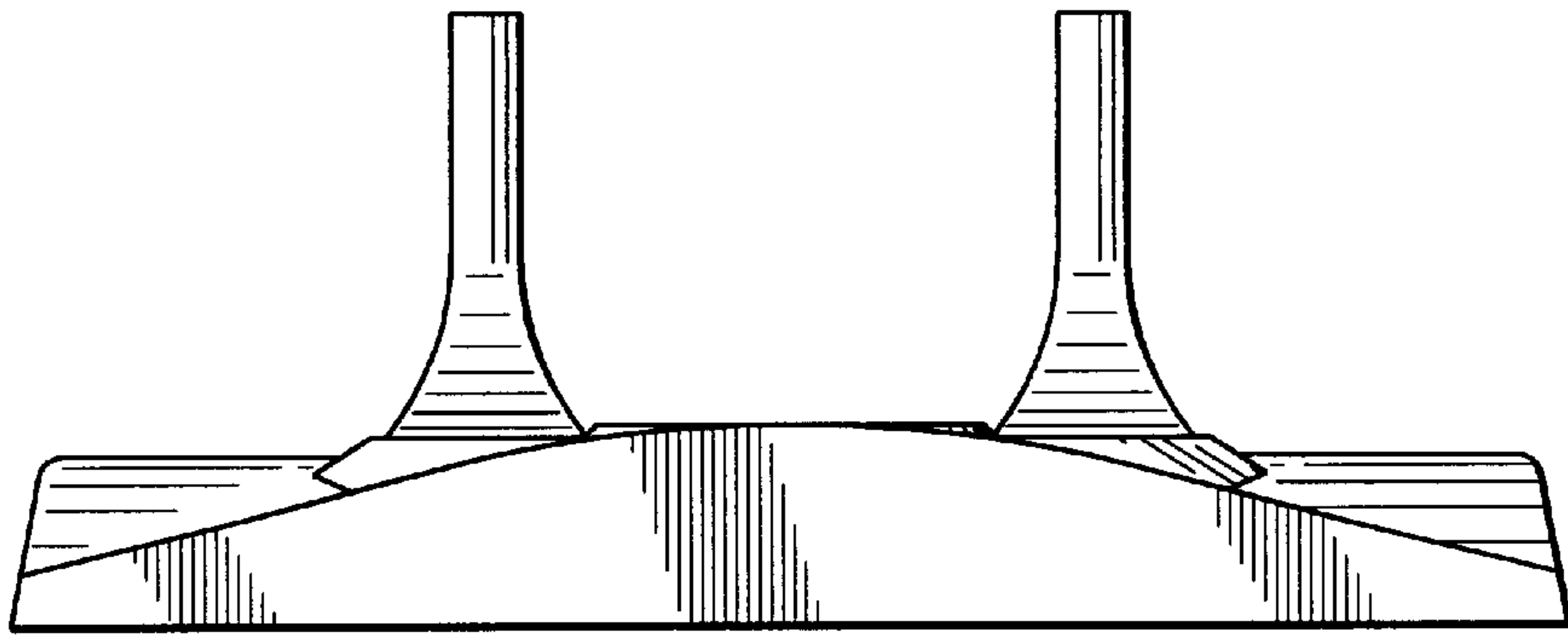
(56) **References Cited**

**U.S. PATENT DOCUMENTS**

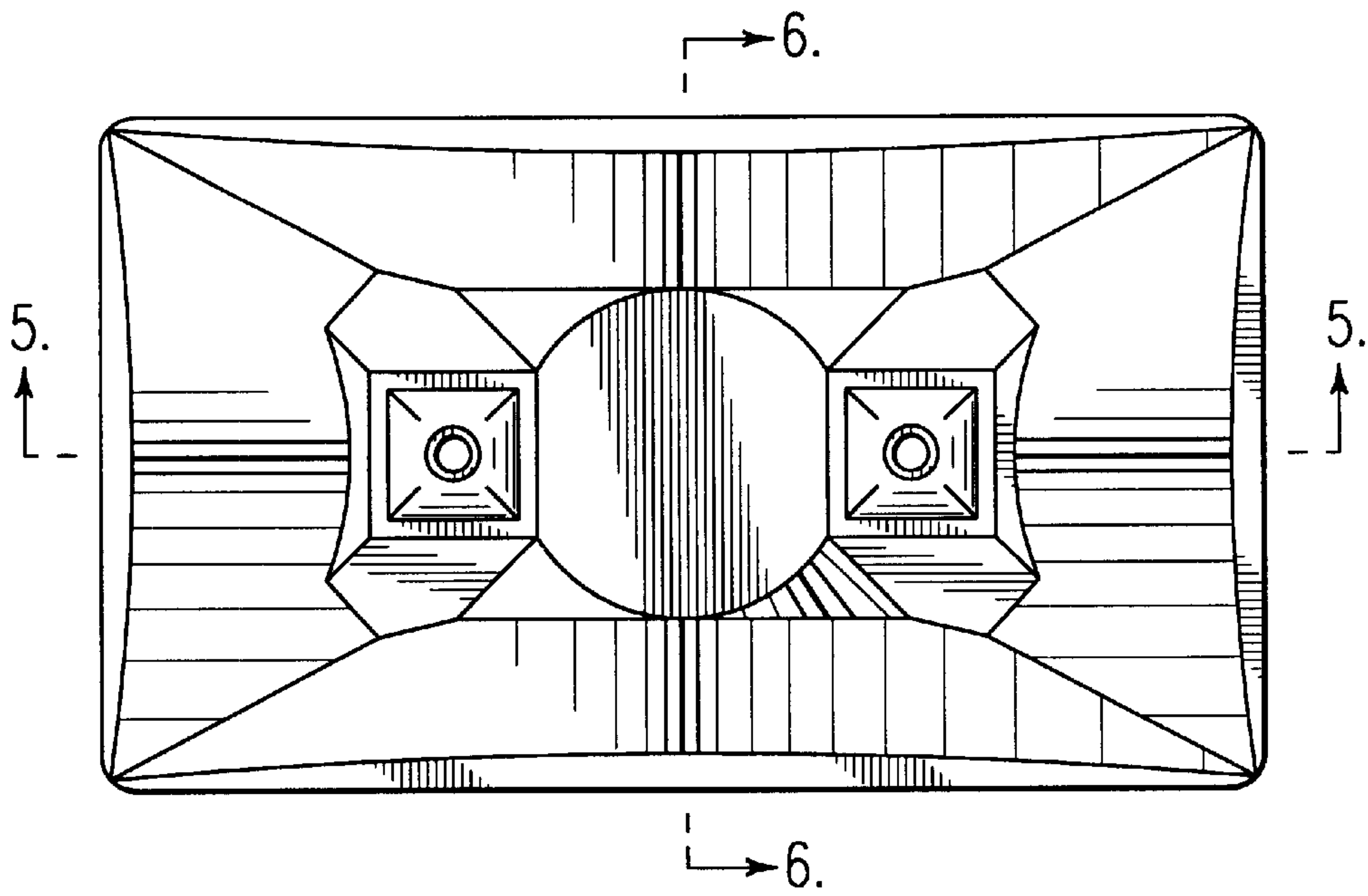
4,513,221 \* 4/1985 Robbins .  
4,680,503 \* 7/1987 Spierings et al. .  
5,725,627 \* 3/1998 Piers et al. .

**1 Claim, 3 Drawing Sheets**

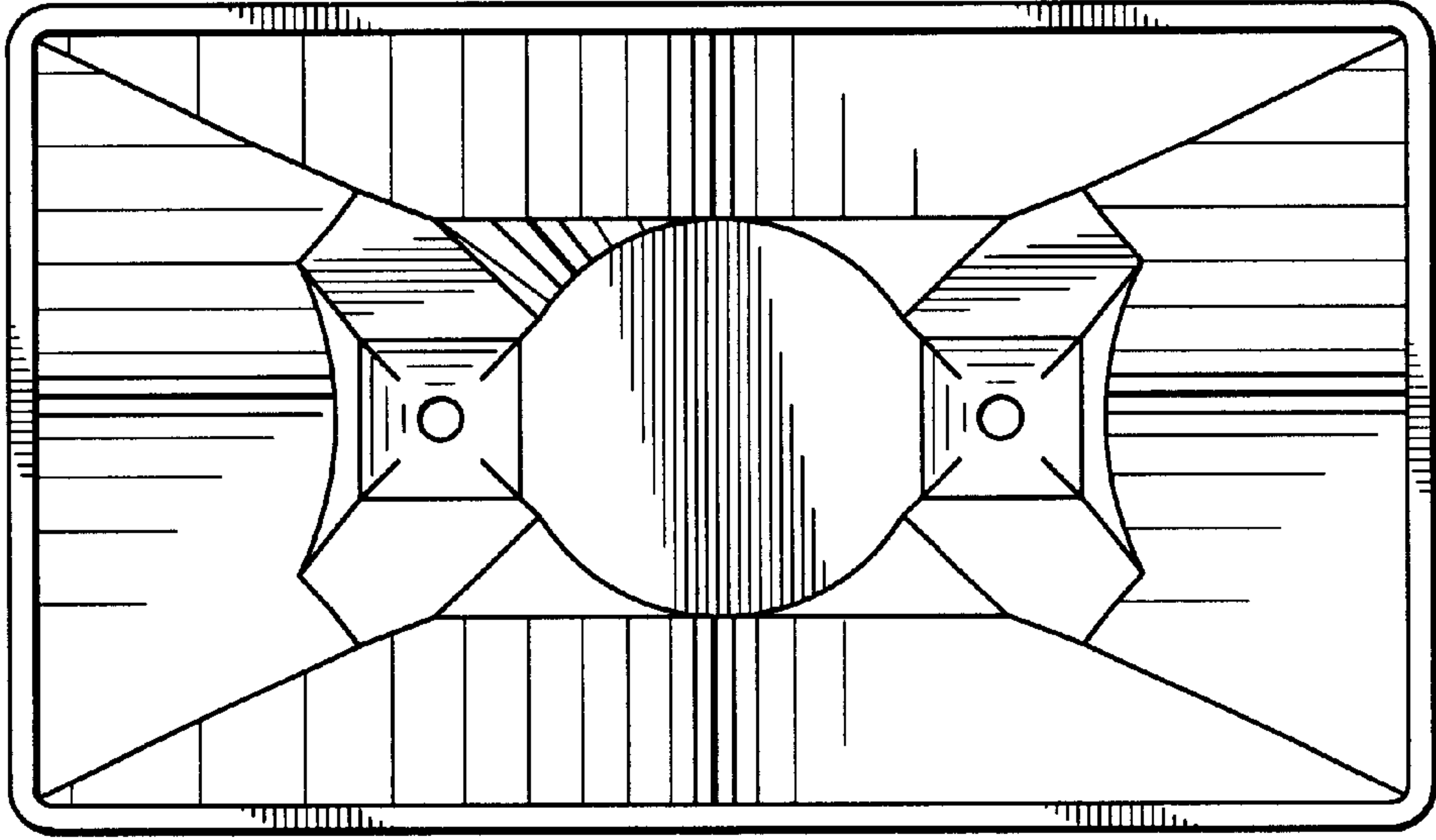




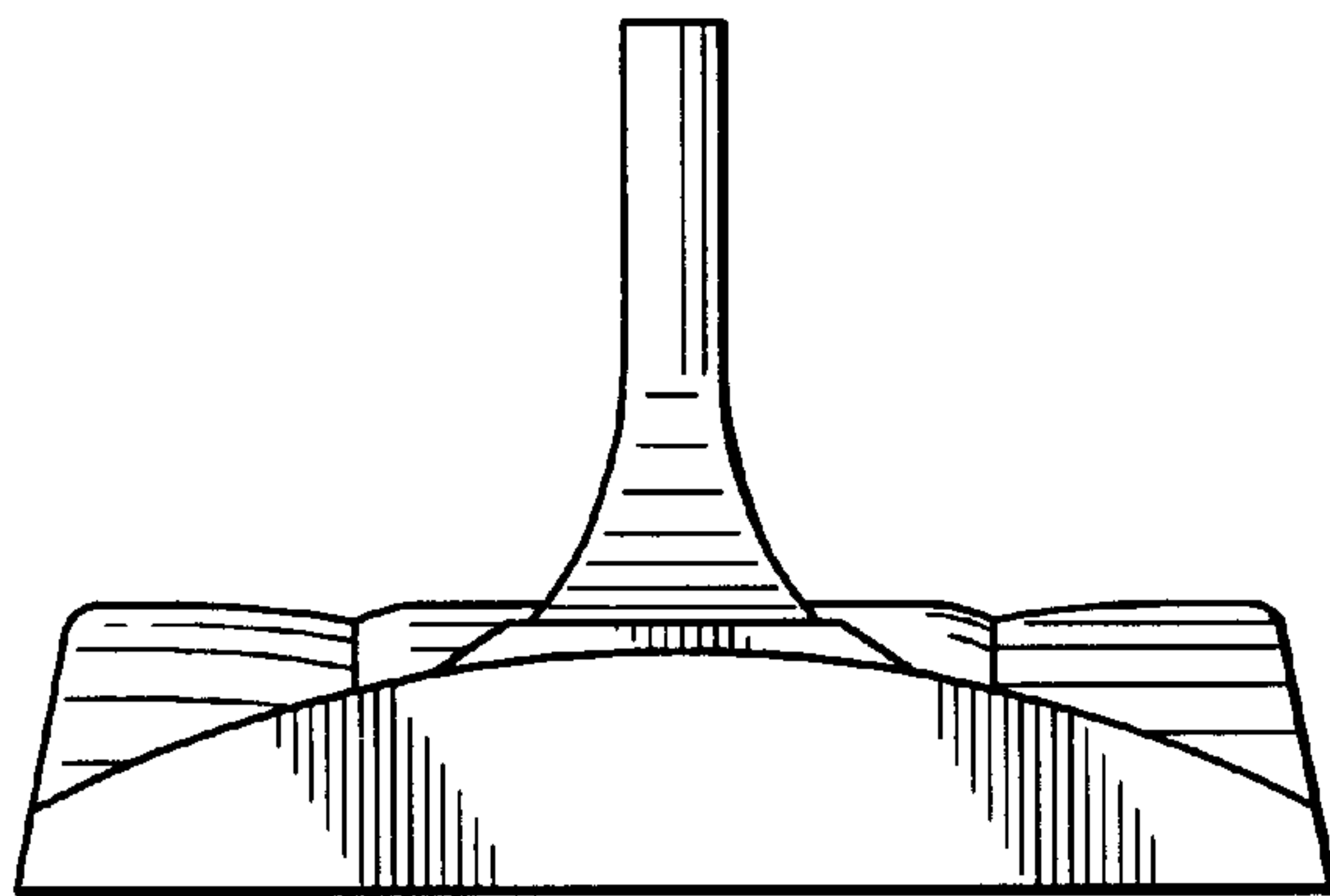
*FIG. 1*



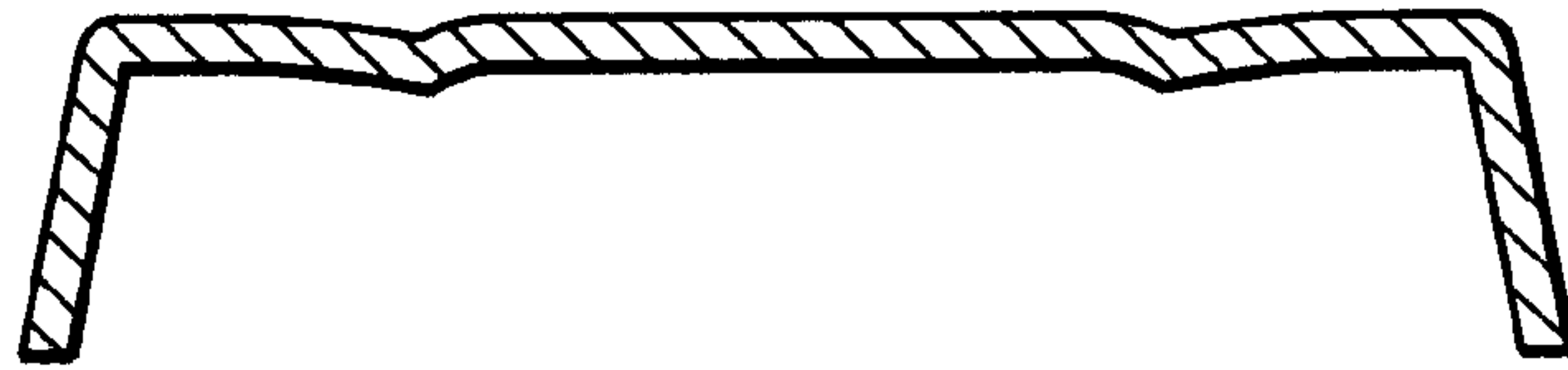
*FIG. 2*



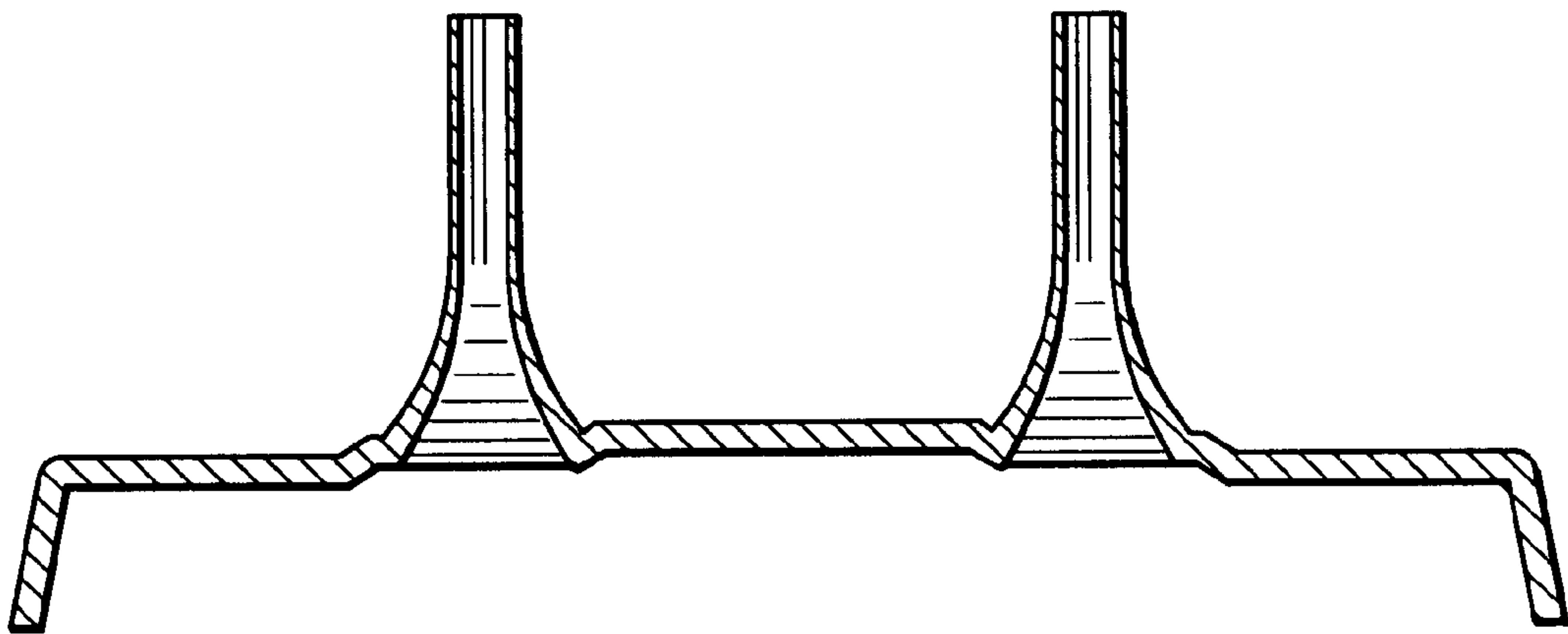
*FIG. 3*



*FIG. 4*



*FIG. 5*



*FIG. 6*