



US00D452500B1

(12) **United States Design Patent**
Wu

(10) **Patent No.:** **US D452,500 S**

(45) **Date of Patent:** **** *Dec. 25, 2001**

(54) **LIQUID CRYSTAL DISPLAY**

(75) **Inventor:** **Wei-chung Wu, San Chung (TW)**

(73) **Assignee:** **Amtran Technology Co., Ltd., Sun Chung (TW)**

(*) **Notice:** This patent is subject to a terminal disclaimer.

(**) **Term:** **14 Years**

(21) **Appl. No.:** **29/111,140**

(22) **Filed:** **Sep. 23, 1999**

(51) **LOC (7) Cl.** **14-02**

(52) **U.S. Cl.** **D14/375**

(58) **Field of Search** D14/371, 374, D14/375, 379, 126-129; 345/104, 133, 156, 168, 173; 348/180, 184, 325, 739; 341/12; 349/1, 2, 11, 62; 248/917-924

(56) **References Cited**

U.S. PATENT DOCUMENTS

D. 391,557 * 3/1998 Tada et al. D14/375

D. 394,048 * 5/1998 Lee D14/375

D. 394,248 * 5/1998 Duan D14/375

* cited by examiner

Primary Examiner—Freda Nunn

(74) *Attorney, Agent, or Firm*—Bacon & Thomas

(57) **CLAIM**

The ornamental design for a liquid crystal display, as shown and described.

DESCRIPTION

FIG. 1 is a perspective view of a liquid crystal display that shows my new design;

FIG. 2 is a front elevational view;

FIG. 3 is a rear elevational view;

FIG. 4 is a left side view thereof;

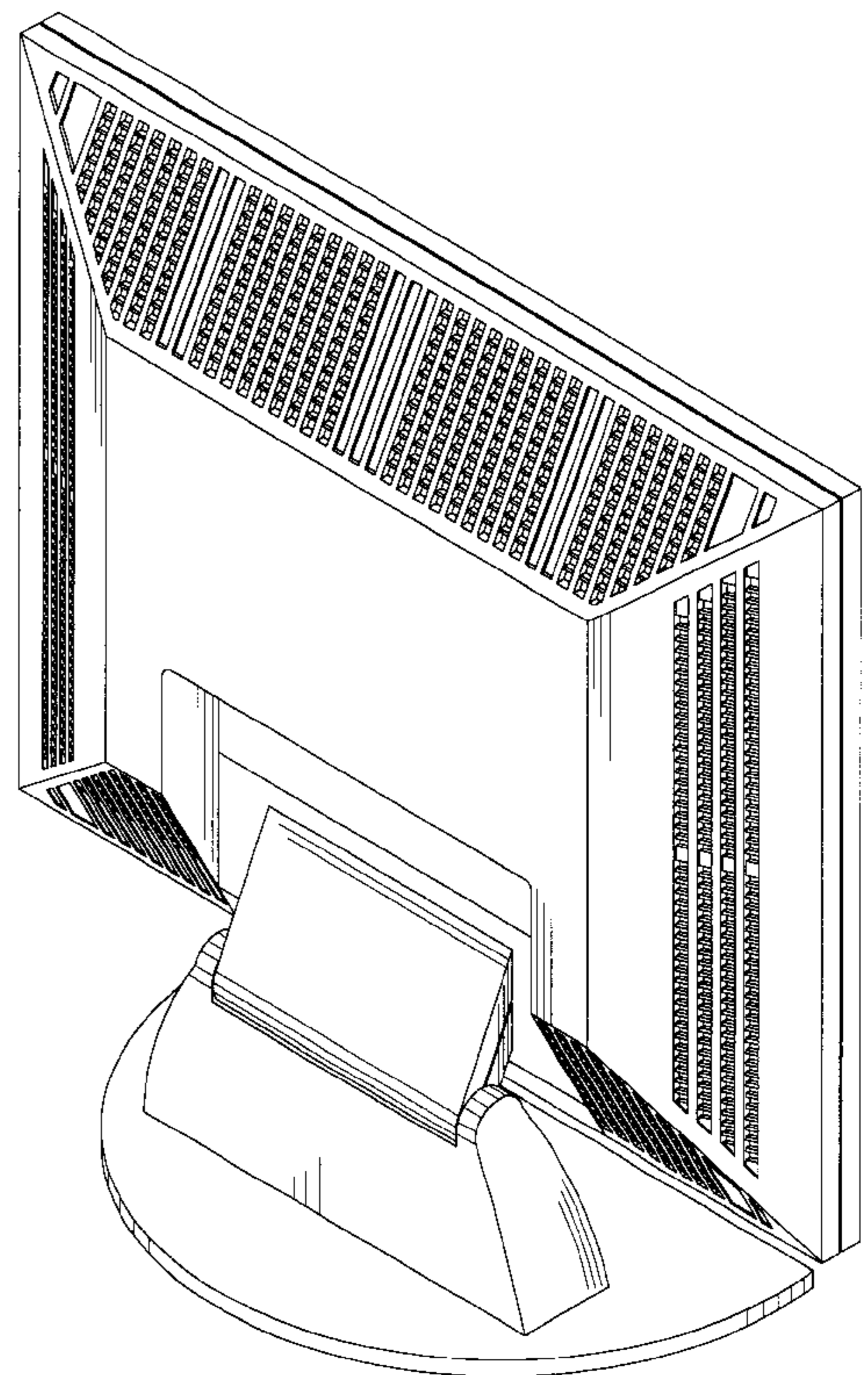
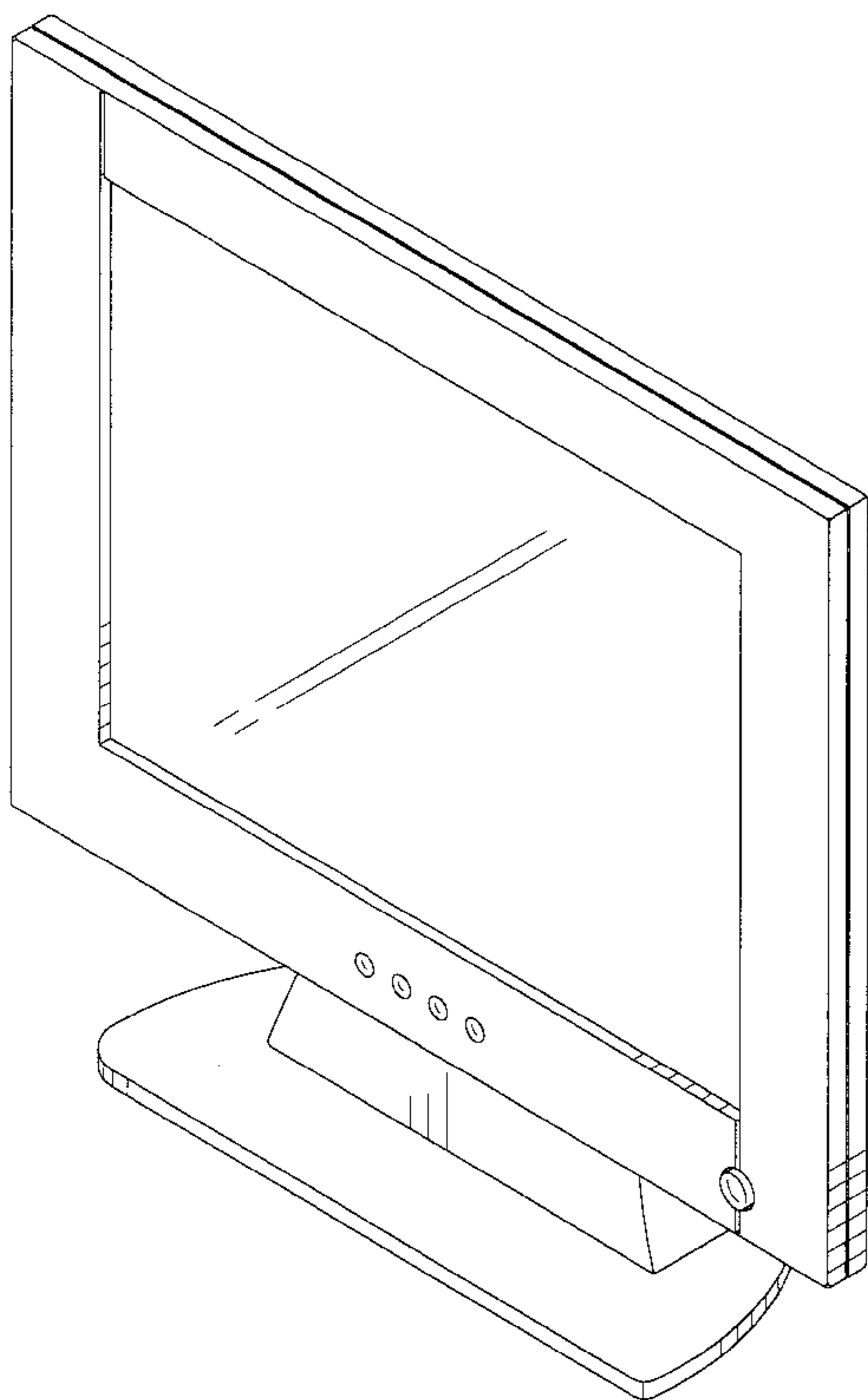
FIG. 5 is a right side view thereof;

FIG. 6 is a top plan view thereof;

FIG. 7 is a bottom plan view thereof; and,

FIG. 8 is a rear perspective view thereof.

1 Claim, 8 Drawing Sheets



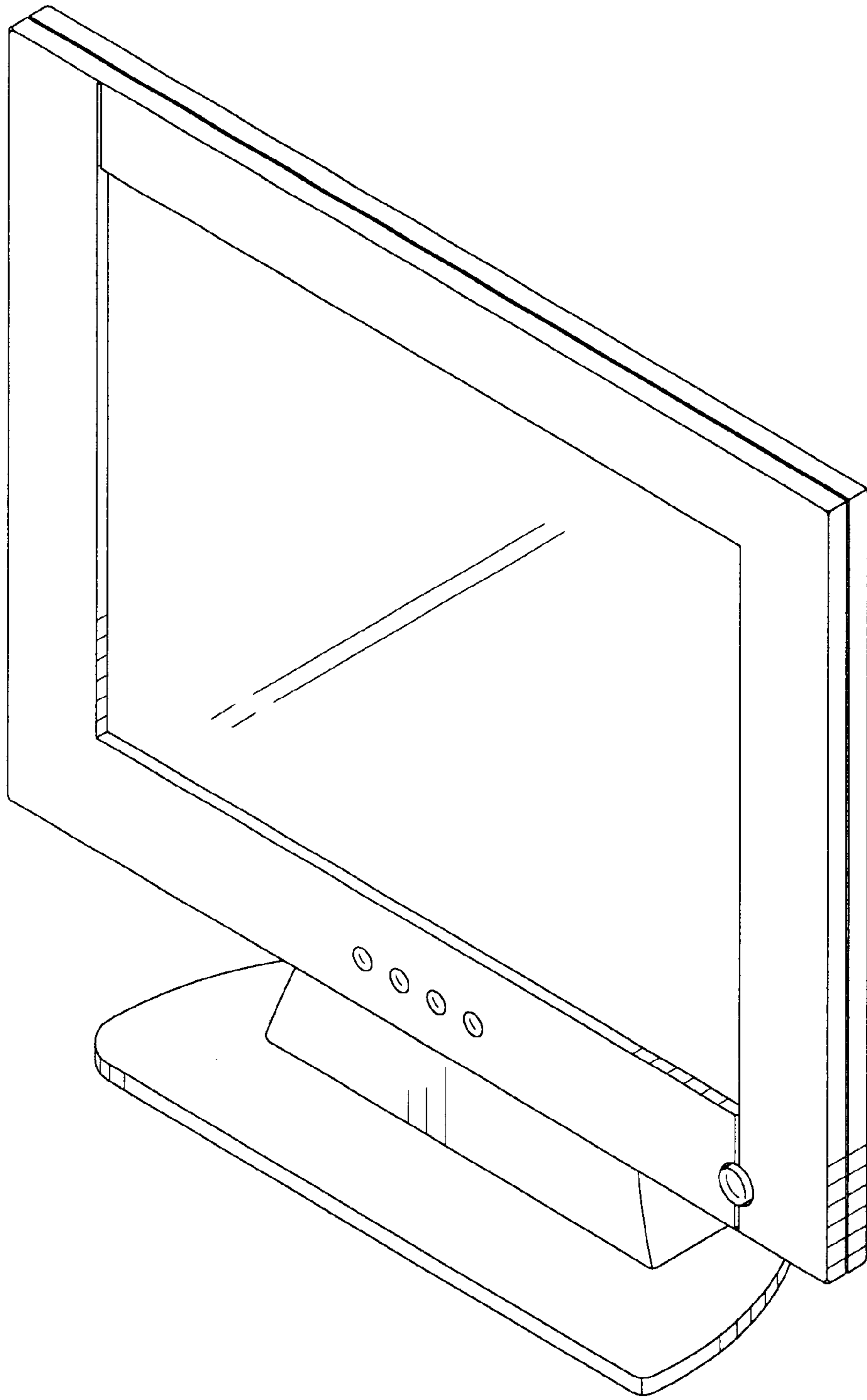


FIG. 1

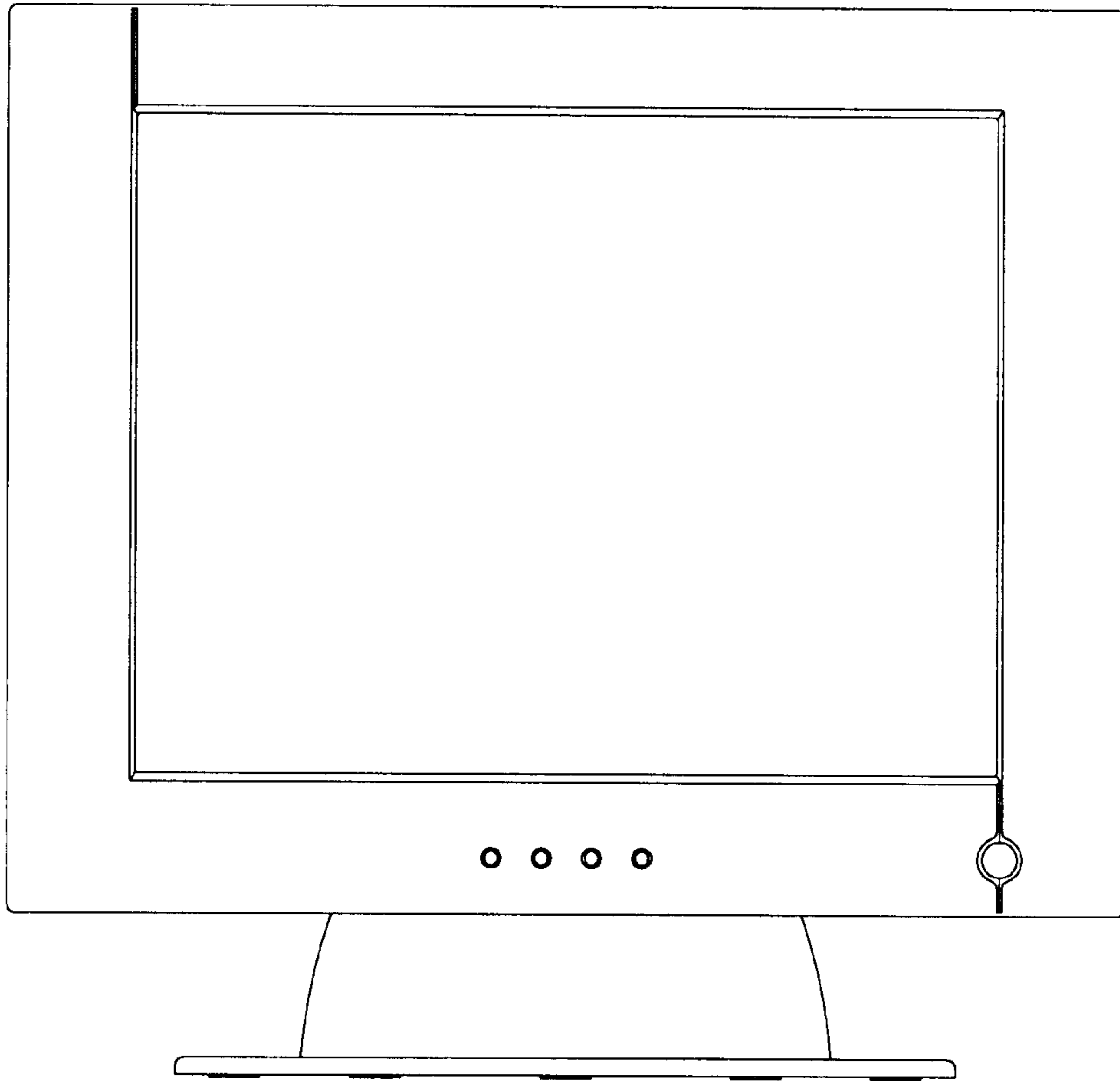


FIG. 2

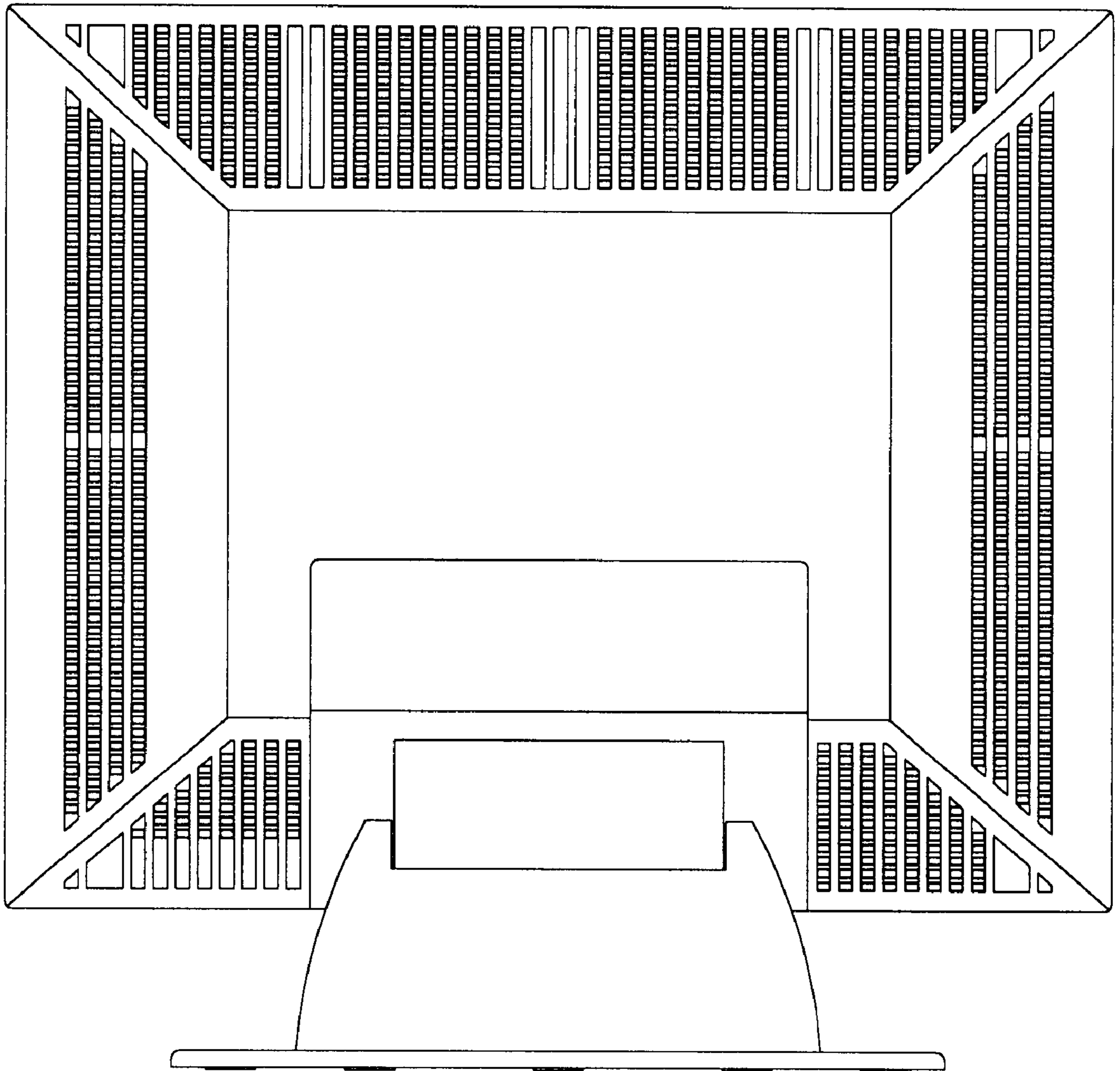


FIG. 3

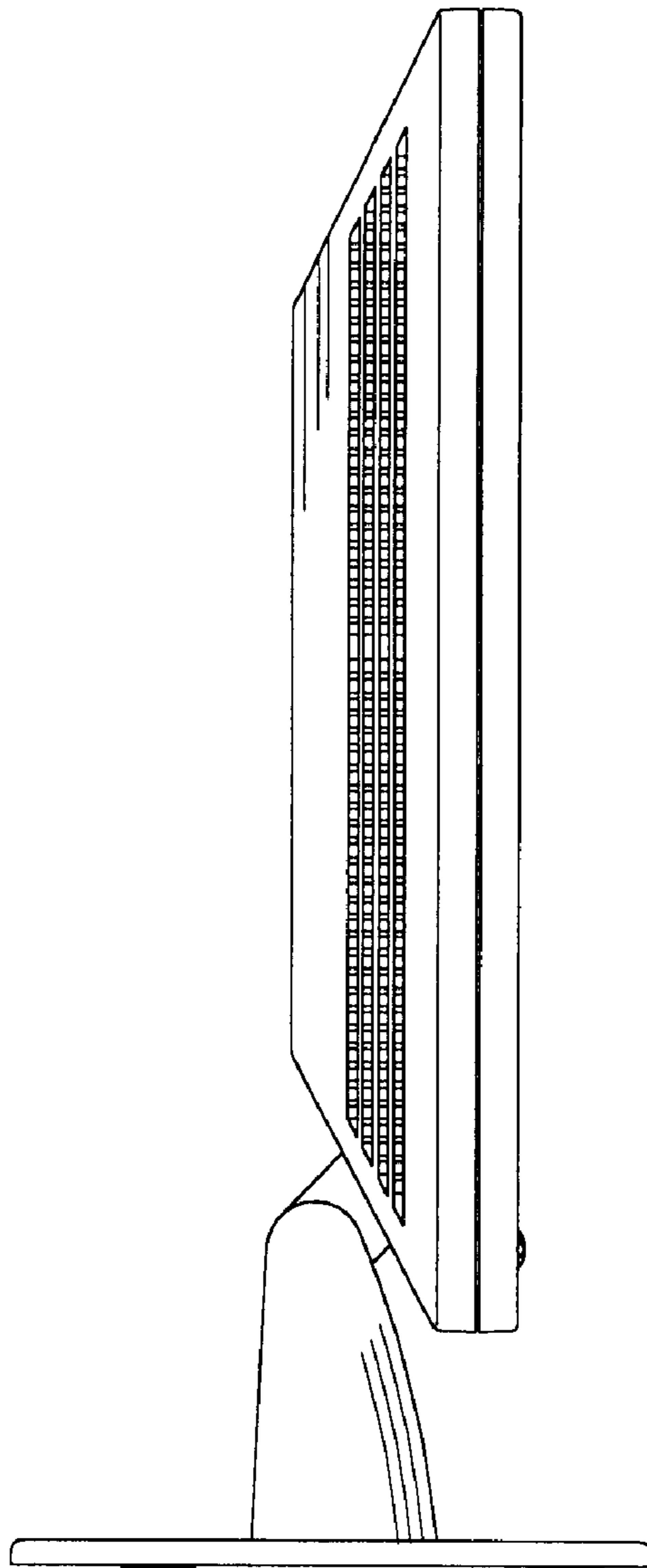


FIG. 4

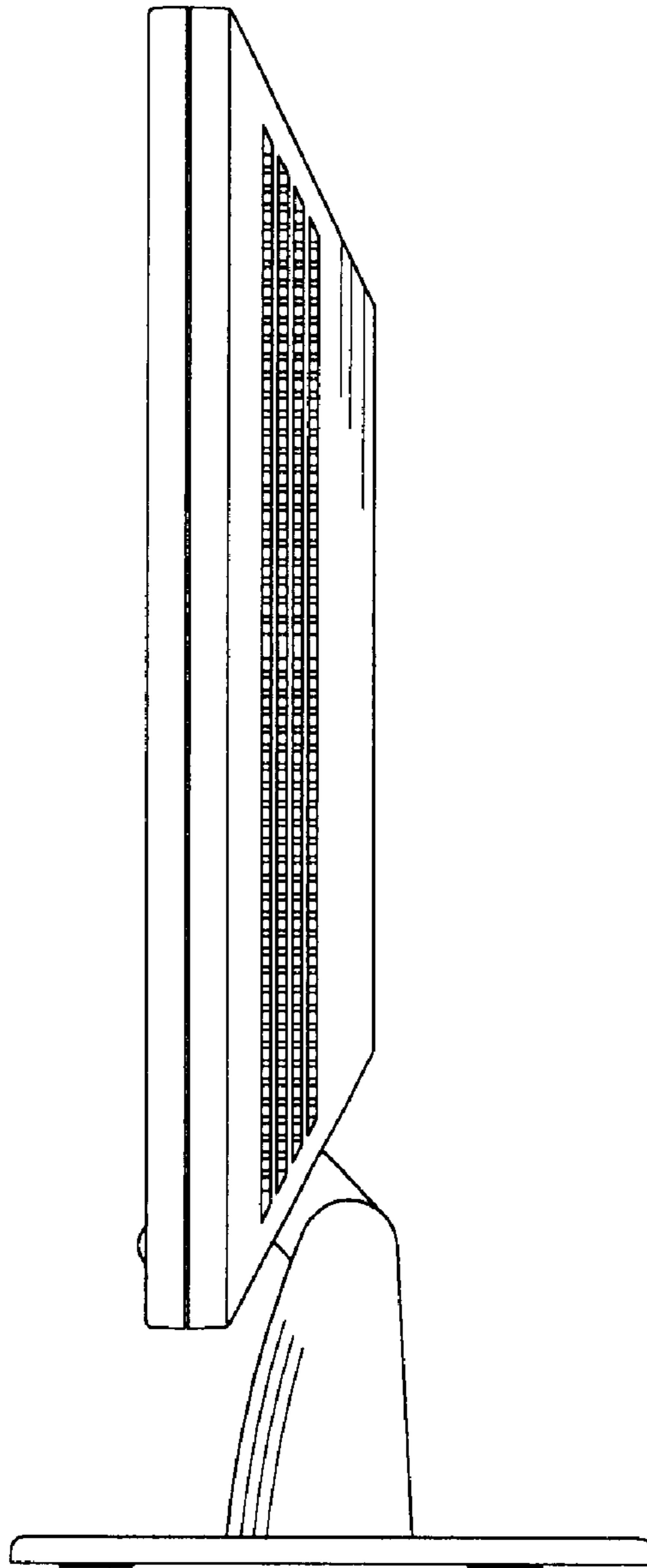


FIG. 5

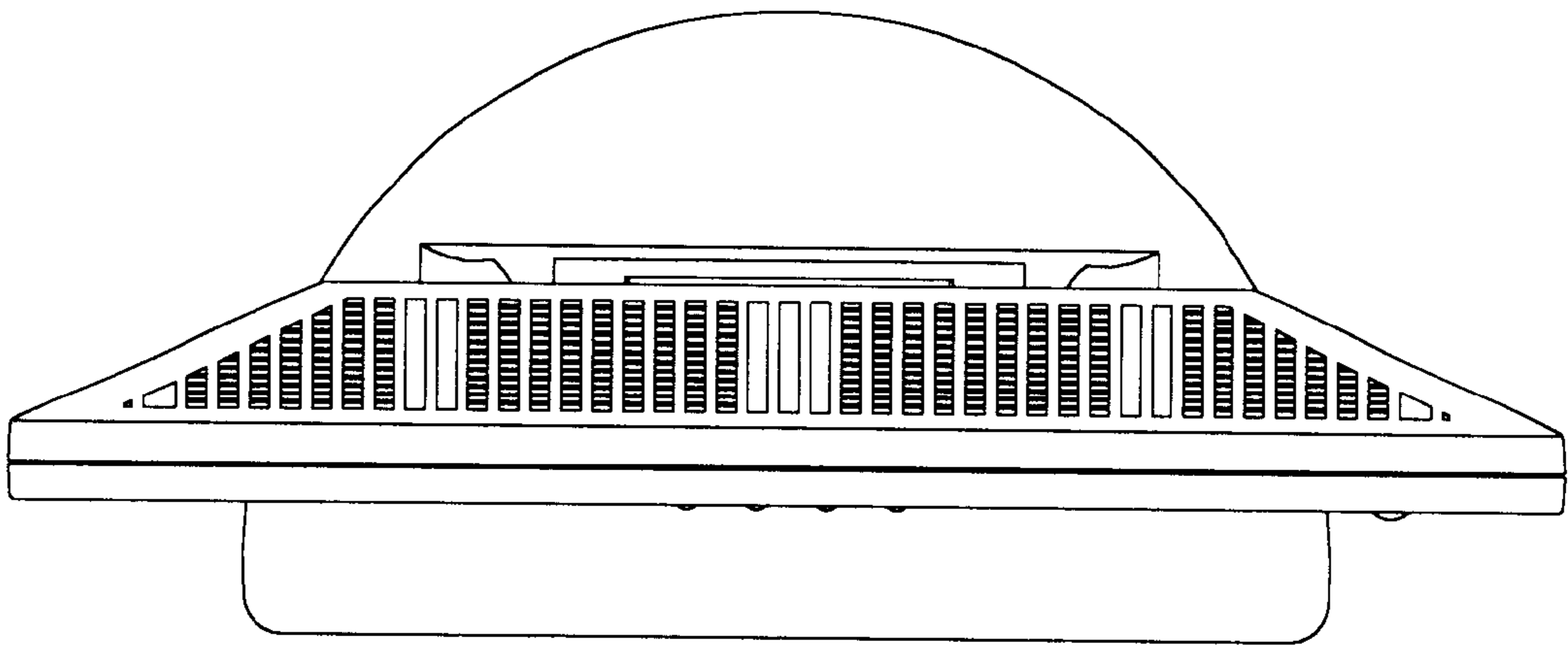


FIG. 6

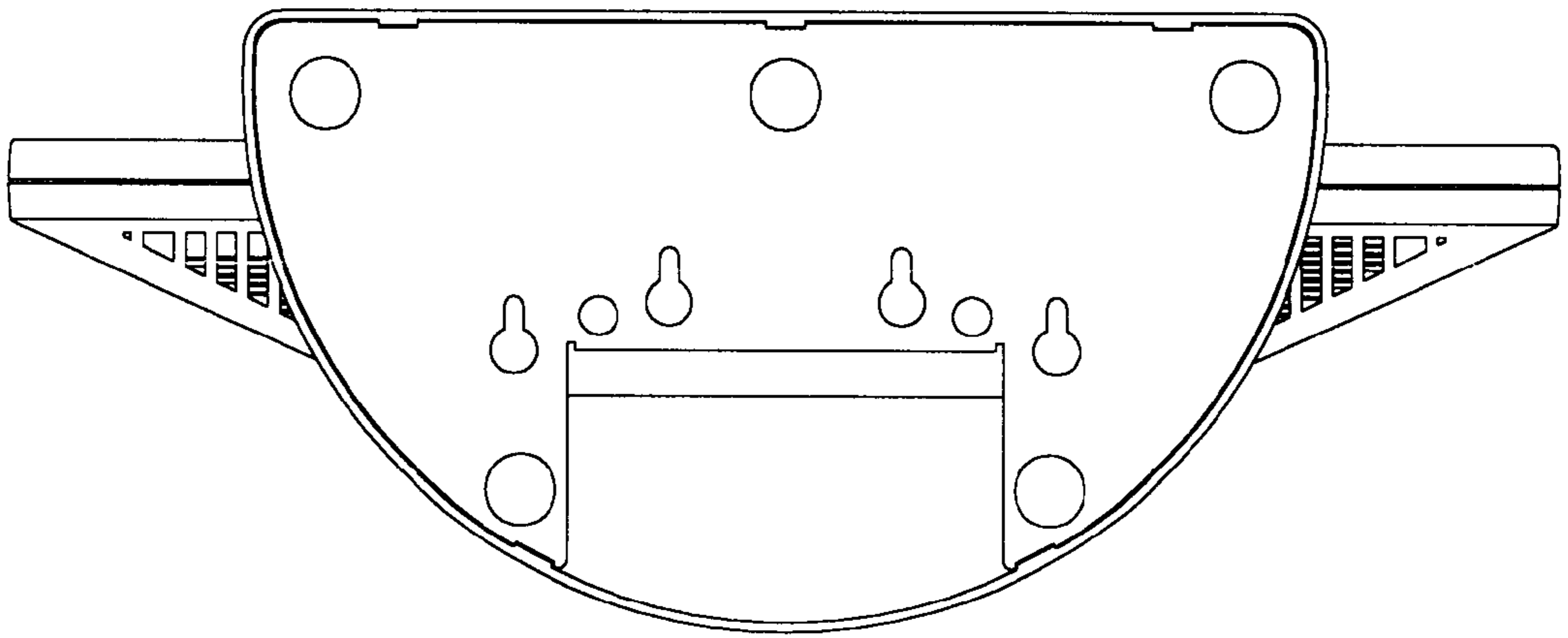


FIG. 7

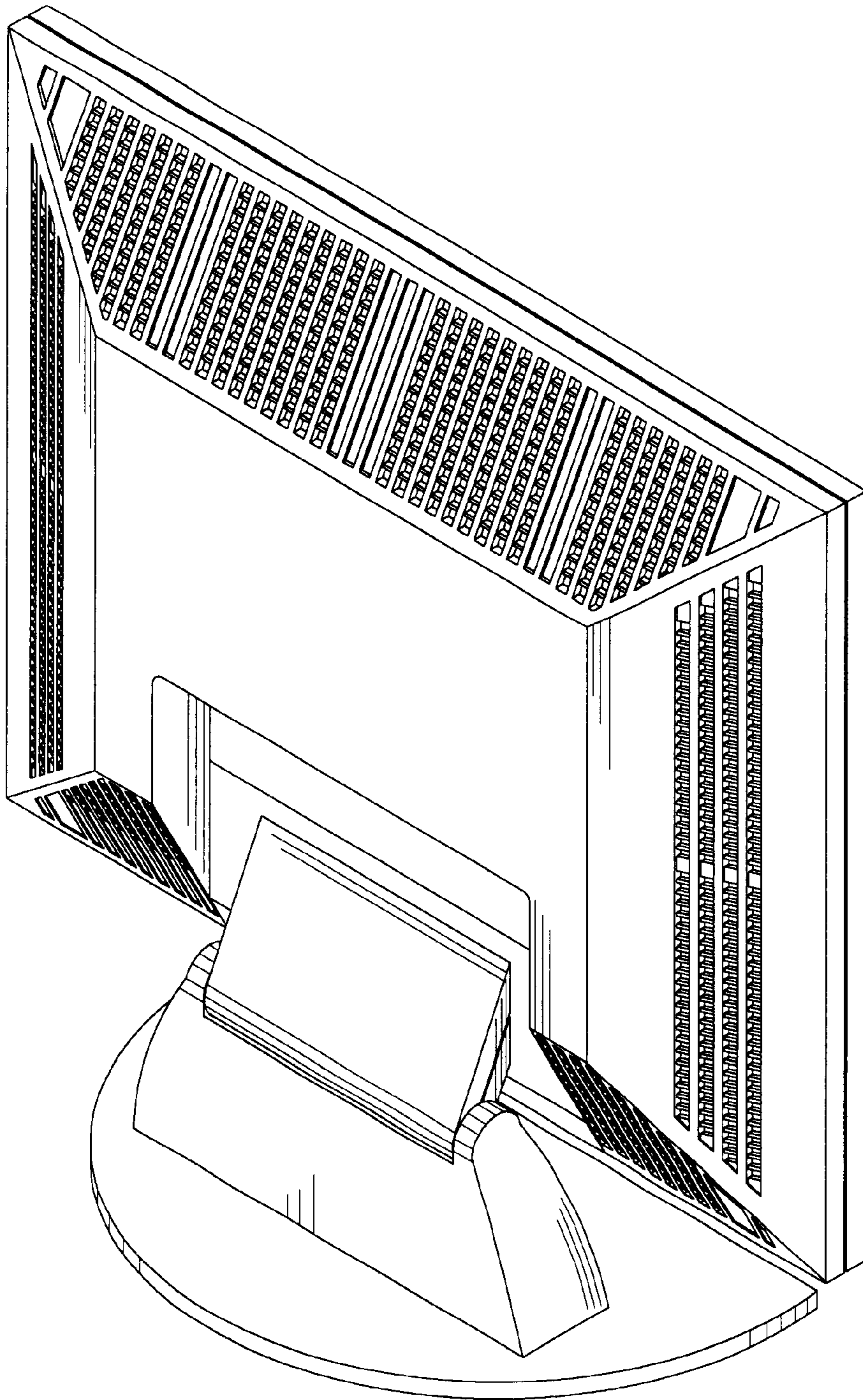


FIG. 8