



US00D452498B1

(12) **United States Design Patent**
Tani

(10) **Patent No.:** **US D452,498 S**

(45) **Date of Patent:** **** Dec. 25, 2001**

(54) **LIQUID CRYSTAL DISPLAY MODULE**

D. 364,153 * 11/1995 Umaba et al. D14/374
4,632,529 * 12/1986 Levin 353/122

(75) Inventor: **Shinichi Tani**, Nara-ken (JP)

* cited by examiner

(73) Assignee: **Sharp Kabushiki Kaisha**, Osaka (JP)

Primary Examiner—Freda Nunn

(**) Term: **14 Years**

(74) *Attorney, Agent, or Firm*—Nixon & Vanderhye P.C.

(21) Appl. No.: **29/134,253**

(57) **CLAIM**

(22) Filed: **Dec. 19, 2000**

The ornamental design for a liquid crystal display module,
as shown and described.

(51) **LOC (7) Cl.** **14-02**

DESCRIPTION

(52) **U.S. Cl.** **D14/374**

(58) **Field of Search** D14/371, 373,
D14/374, 125-128, 140, 130; 345/104,
156, 168, 173, 87; 348/180, 184, 325, 739;
248/917-924; 341/12; 349/1, 2, 11, 62

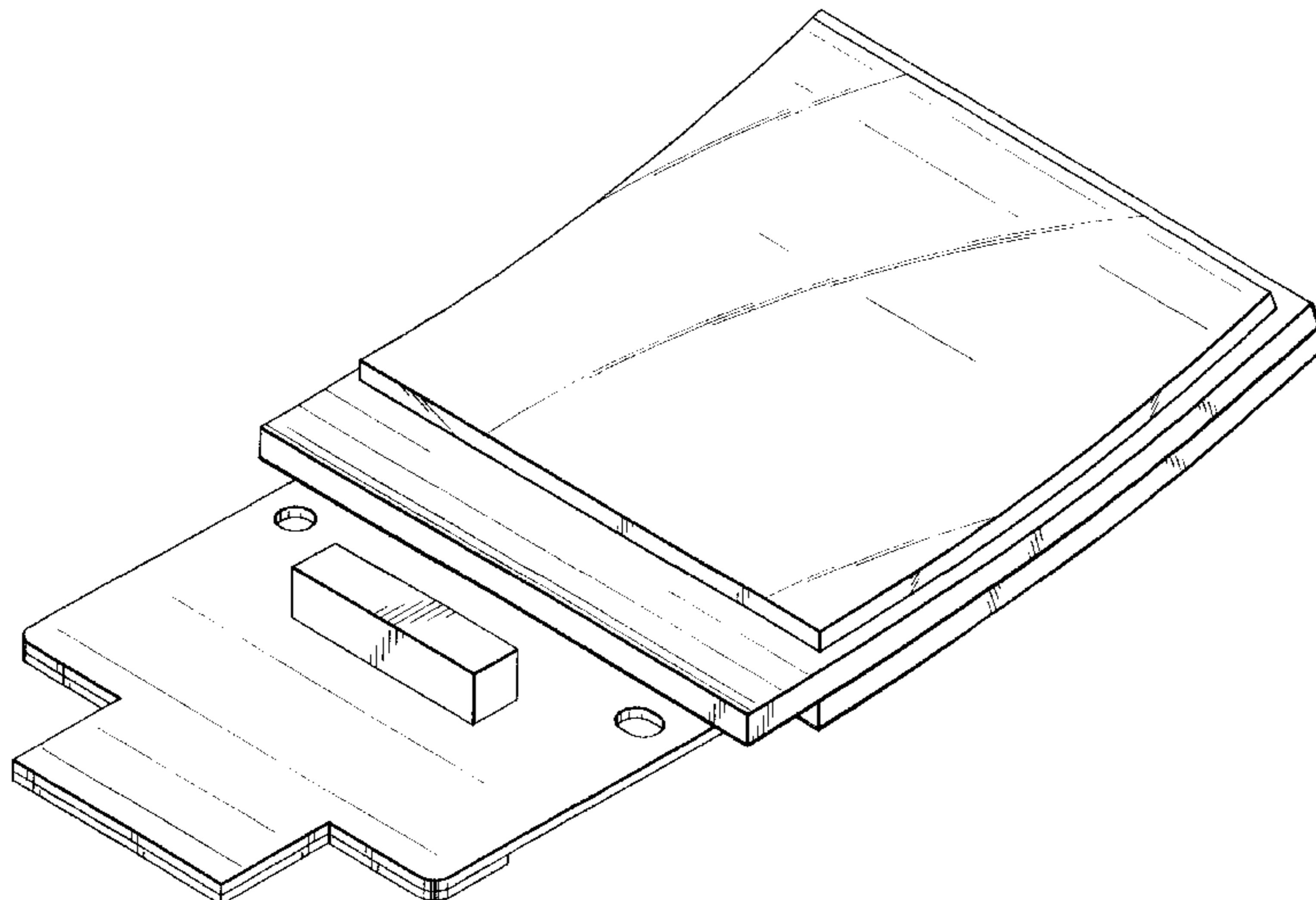
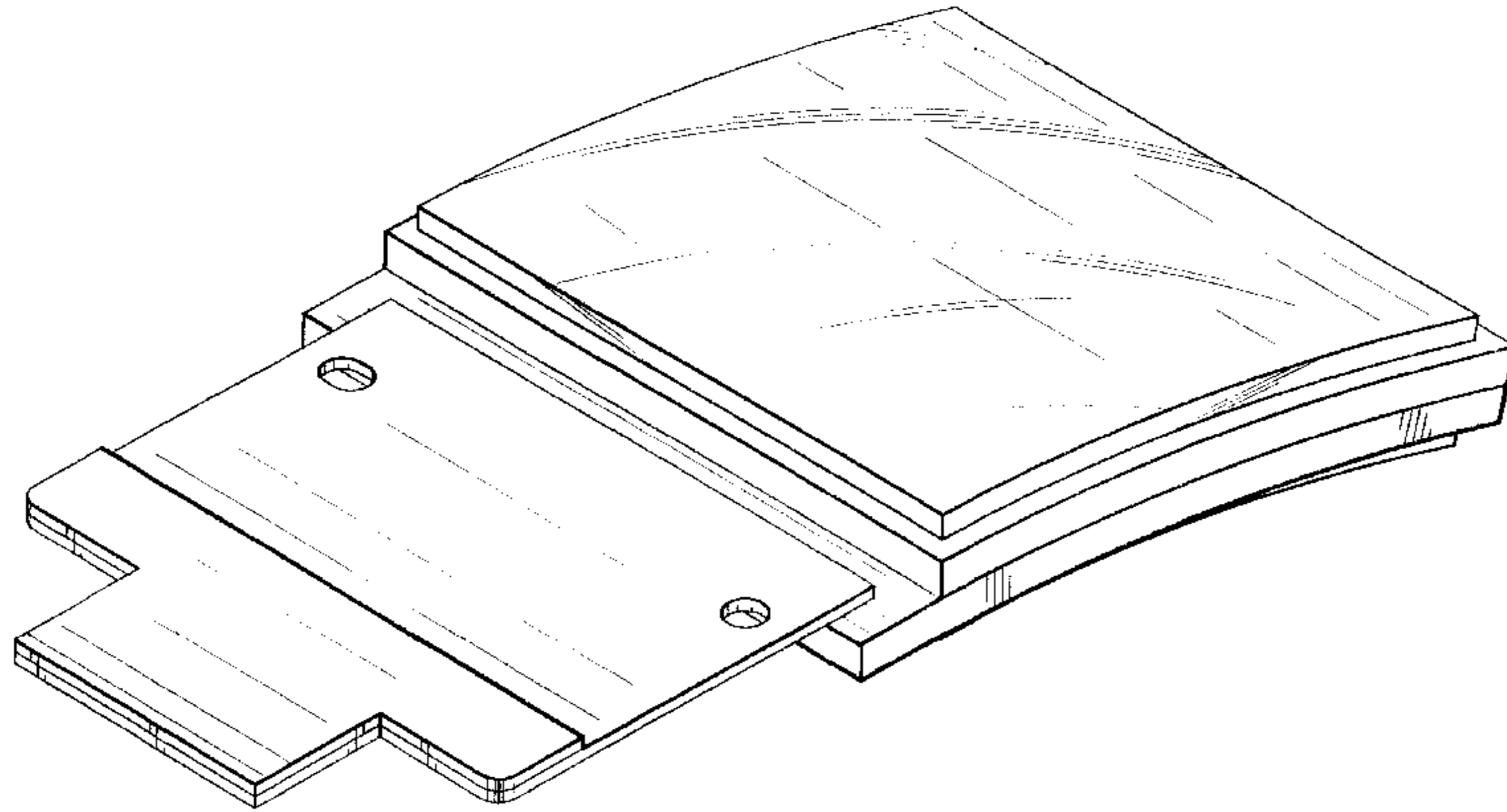
FIG. 1 is a front, left side and bottom perspective view of a liquid crystal display module according to my design;
FIG. 2 is a front elevational view thereof;
FIG. 3 is a rear elevational view thereof;
FIG. 4 is a left side elevational view thereof;
FIG. 5 is a right side elevational view thereof;
FIG. 6 is a bottom plan view thereof, the top plan view being a mirror image thereof; and,
FIG. 7 is a rear, left side and top perspective view thereof.

(56) **References Cited**

U.S. PATENT DOCUMENTS

- D. 357,912 * 5/1995 Martin D14/130
- D. 363,476 * 10/1995 Oyama et al. D14/374
- D. 363,709 * 10/1995 Matsumoto D14/374

1 Claim, 6 Drawing Sheets



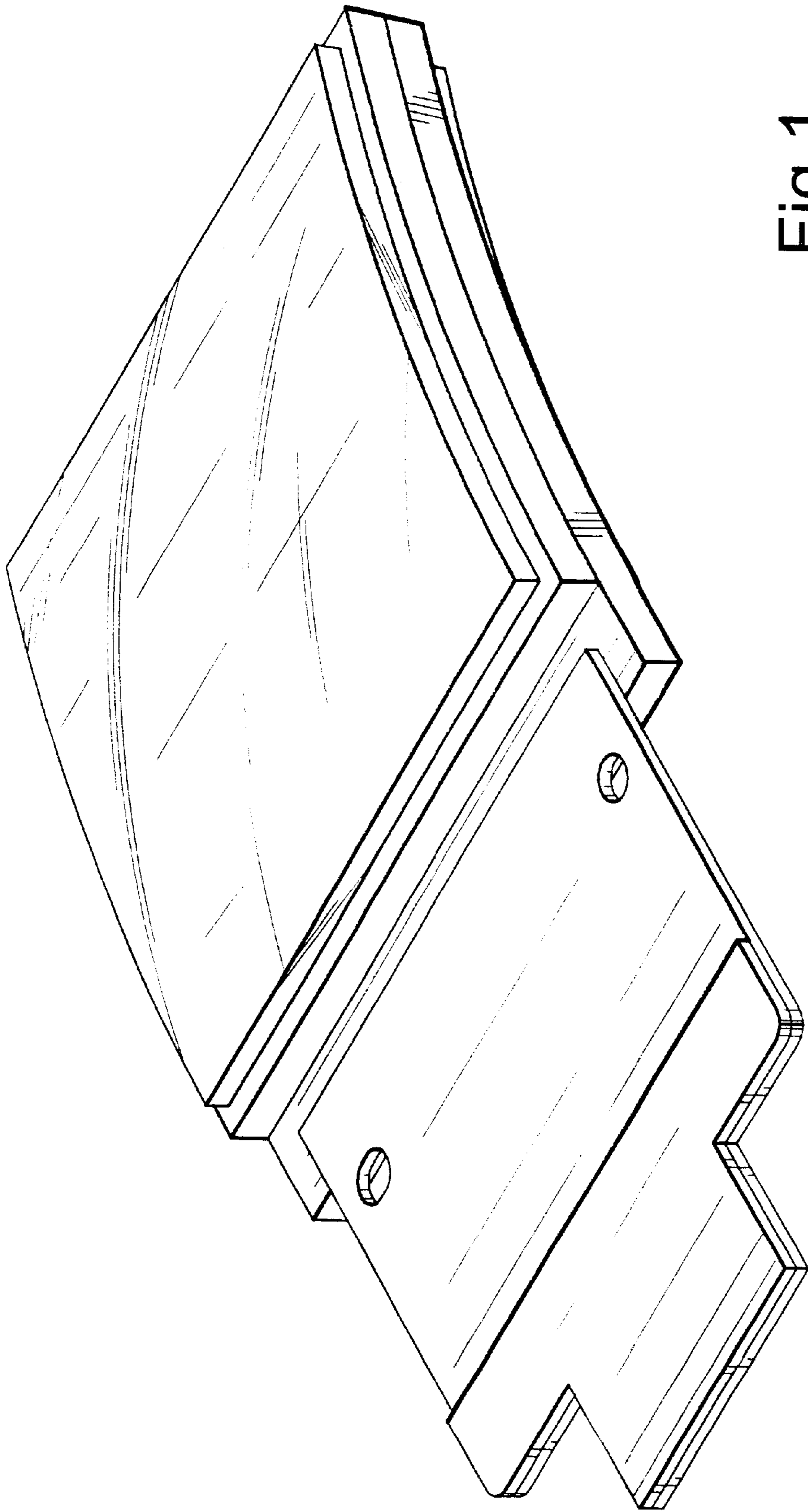


Fig. 1

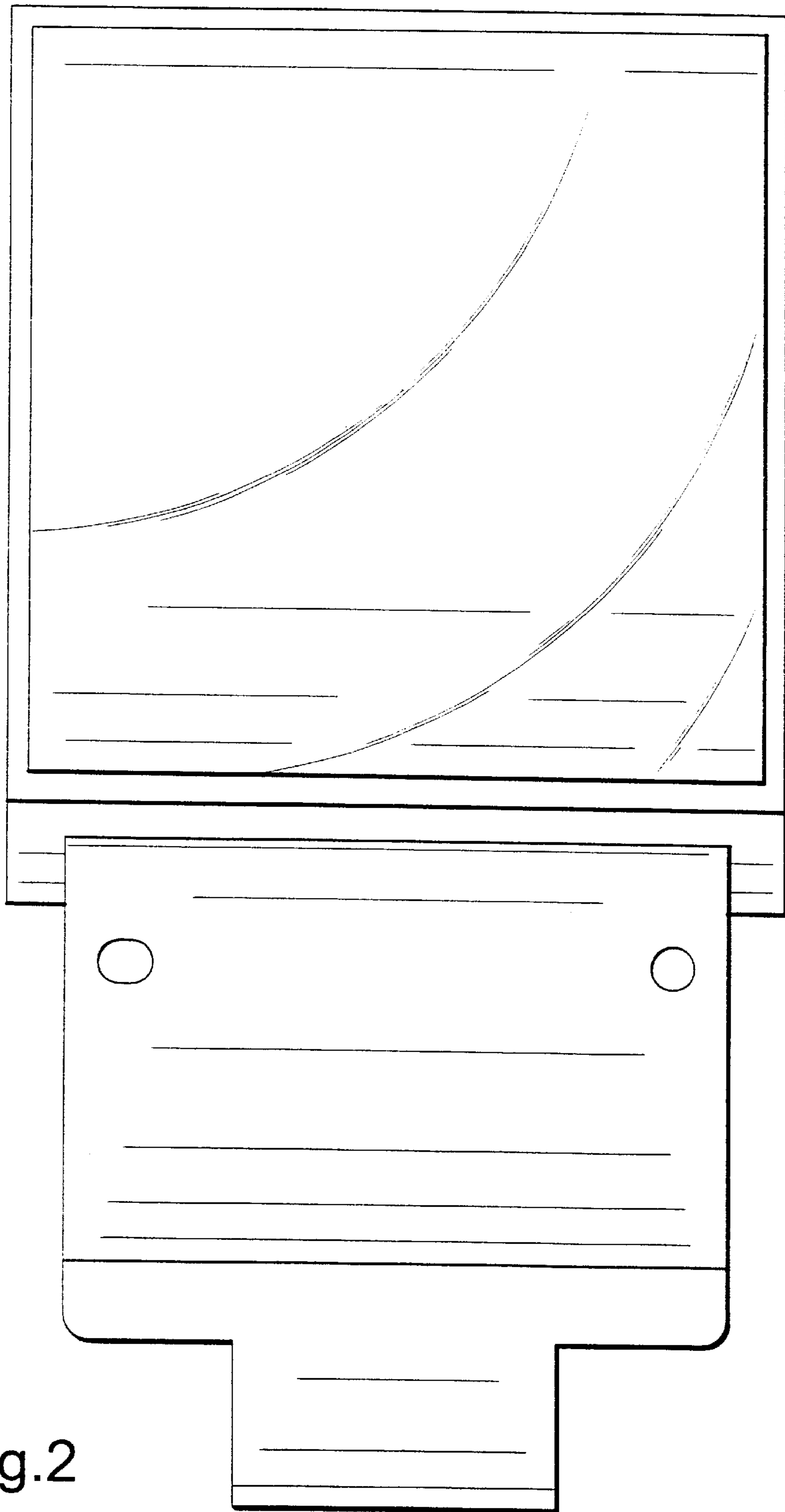


Fig.2

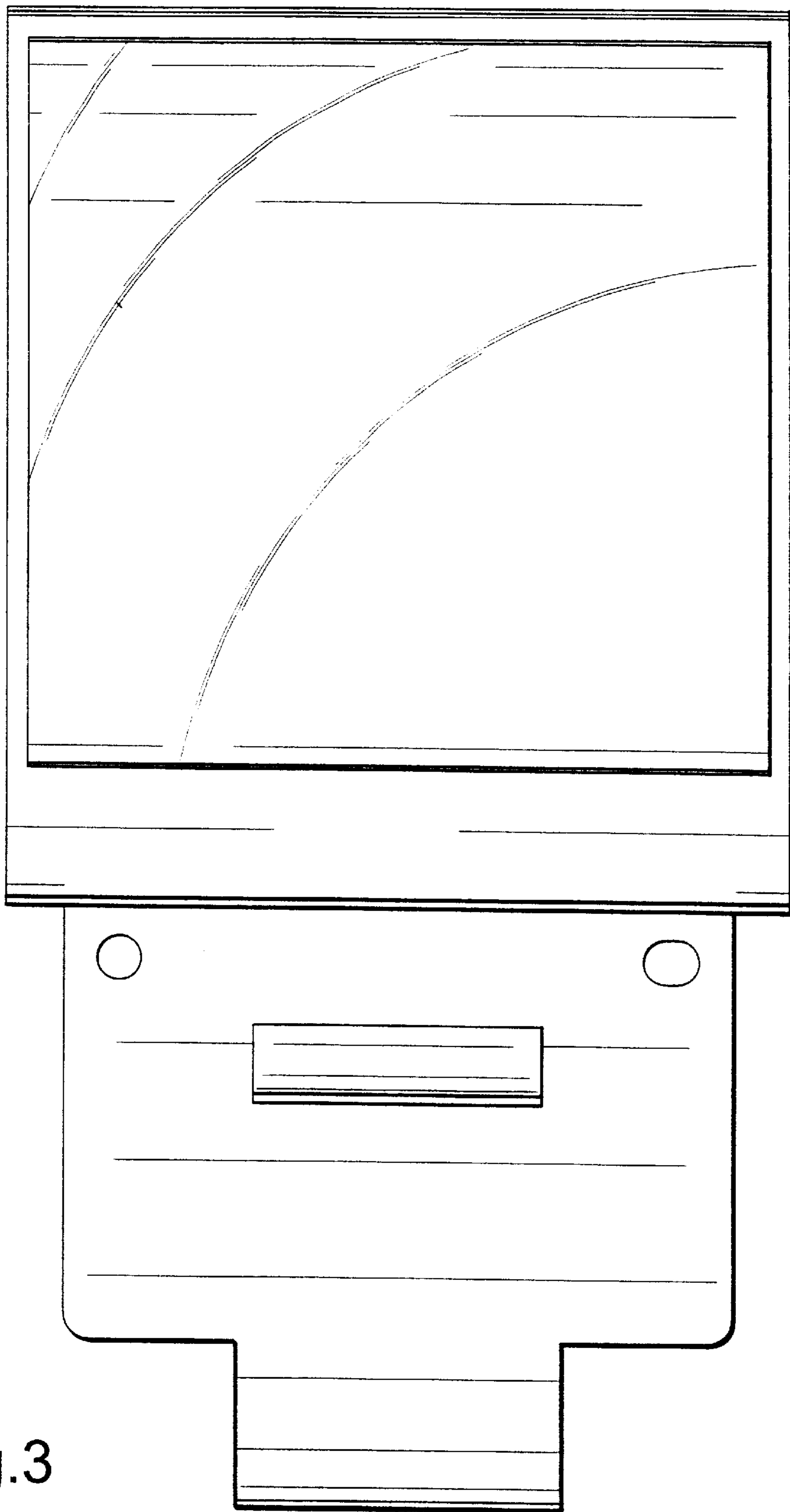


Fig.3

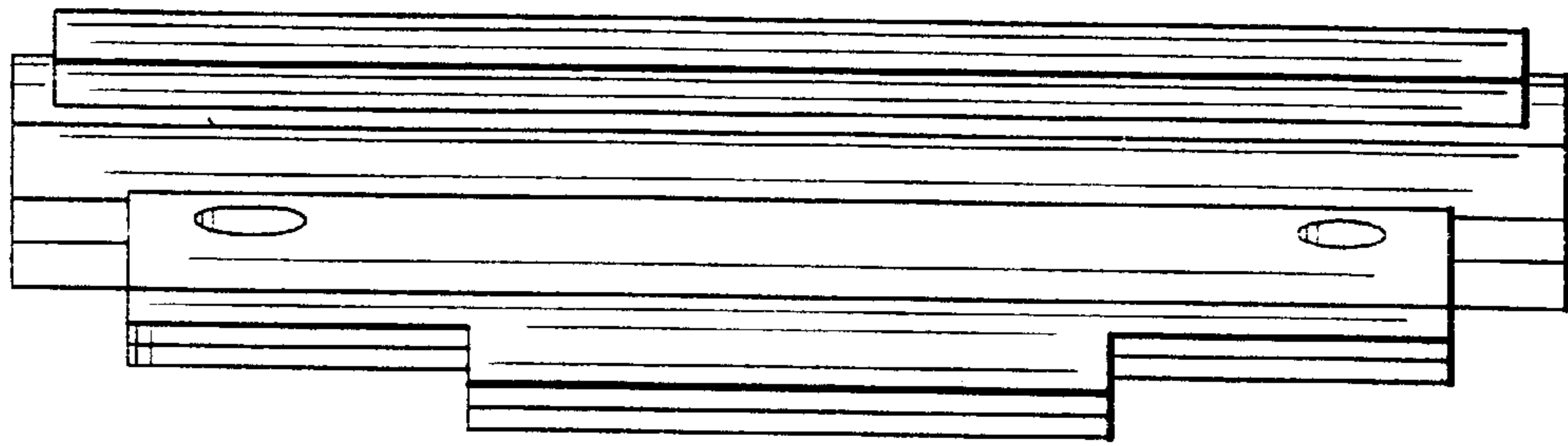


Fig.4



Fig.5

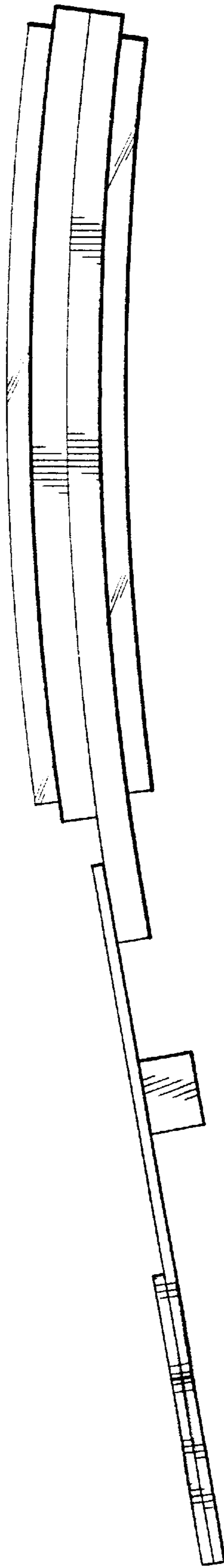


Fig.6

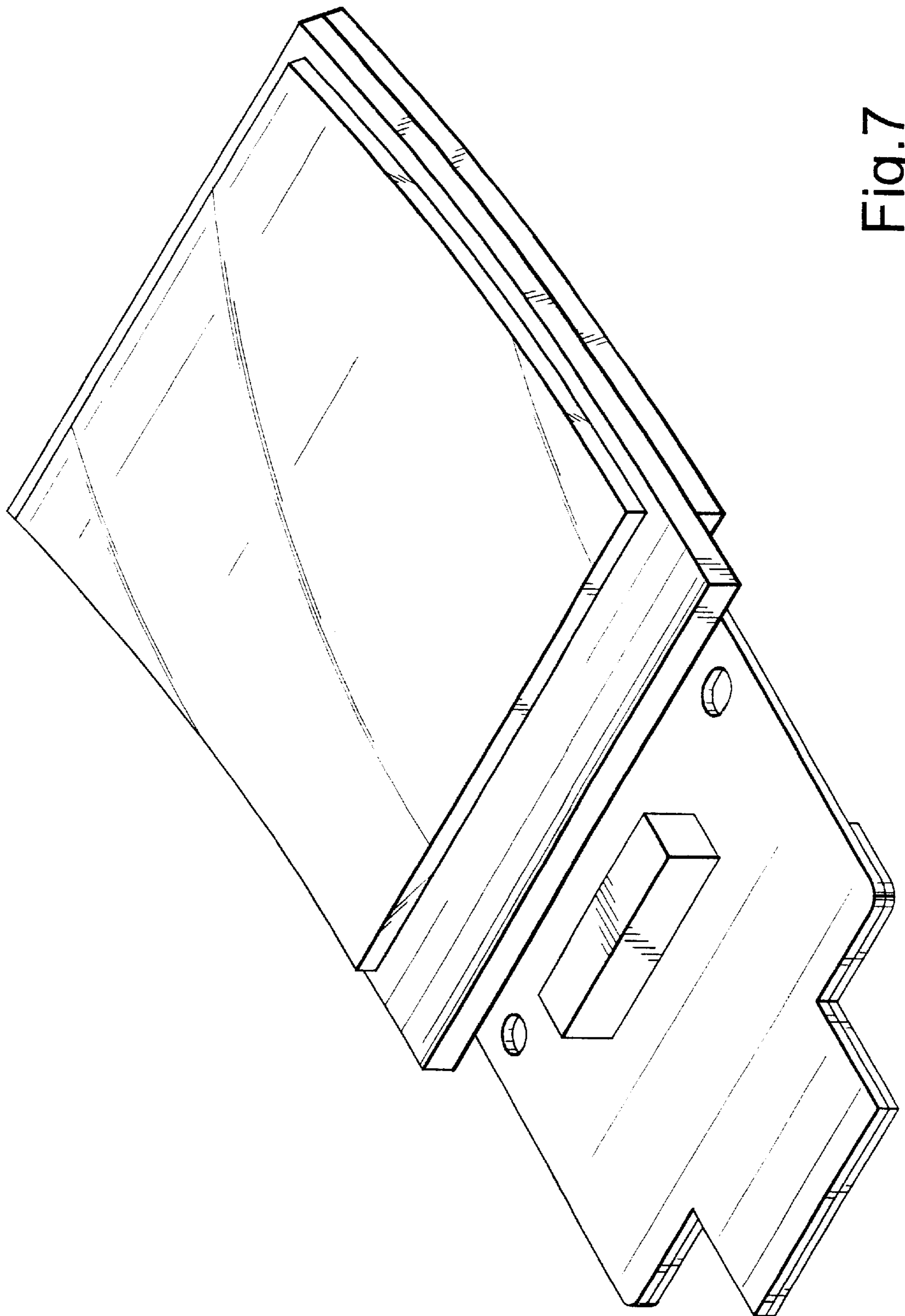


Fig. 7