



US00D452496B1

(12) **United States Design Patent**  
**Murnaghan et al.**

(10) **Patent No.:** **US D452,496 S**

(45) **Date of Patent:** **\*\* Dec. 25, 2001**

(54) **WIRELESS COMMUNICATION DEVICE  
FOR A PERSONAL DATA ASSISTANT**

(75) Inventors: **Matthew J. Murnaghan**, North  
Vancouver; **Bruce D. Larsen**, West  
Vancouver, both of (CA)

(73) Assignee: **Sierra Wireless, Inc.**, British Columbia  
(CA)

(\*\*) Term: **14 Years**

(21) Appl. No.: **29/139,108**

(22) Filed: **Mar. 23, 2001**

(51) **LOC (7) Cl.** ..... **14-03**

(52) **U.S. Cl.** ..... **D14/242; D14/358**

(58) **Field of Search** ..... D14/125, 257,  
D14/140, 142, 299, 433, 434, 356-358,  
435-438, 308, 349, 353, 240, 242, 155,  
159, 141, 352, 439; 379/419, 420, 428,  
440, 406, 93.01, 93.28; 455/550-575, 90;  
D13/184; 361/600, 622, 724-728; 375/220-225;  
D3/218

(56) **References Cited**

**U.S. PATENT DOCUMENTS**

D. 312,534	*	12/1990	Nelson et al.	.....	D3/228
D. 354,951	*	1/1995	Fenton et al.	.....	D14/242
D. 359,034	*	6/1995	Kondo	.....	D14/434
D. 368,260	*	3/1996	Oschmann et al.	.....	D14/137
D. 373,121	*	8/1996	Deluliis et al.	.....	D14/457
D. 380,205	*	6/1997	Bares	.....	D14/242
D. 385,283	*	10/1997	Snyder et al.	.....	D14/253
D. 392,630	*	3/1998	Fussell	.....	D14/433
D. 408,384	*	4/1999	Hata et al.	.....	D14/433
D. 415,740	*	10/1999	Lee et al.	.....	D14/434
D. 416,547	*	11/1999	Lee et al.	.....	D14/107
D. 420,671	*	2/2000	Jacobsen et al.	.....	D14/240
D. 421,424	*	3/2000	Lee et al.	.....	D14/434

D. 423,473	*	4/2000	Iwamoto	.....	D14/434
D. 424,035	*	5/2000	Steiner et al.	.....	D14/439
D. 426,549	*	6/2000	Carlson	.....	D14/433
D. 427,587	*	7/2000	Jacobsen et al.	.....	D14/240
D. 431,250	*	9/2000	Richter	.....	D14/447
D. 443,247	*	6/2001	Chuan et al.	.....	D13/107
5,535,274	*	7/1996	Braitberg et al.	.....	379/446
5,739,665	*	4/1998	Bares	.....	320/115
6,073,034	*	6/2000	Jacobsen et al.	.....	455/566

\* cited by examiner

*Primary Examiner*—Jeffrey Asch

(74) *Attorney, Agent, or Firm*—Burns Doane Swecker &  
Mathis LLP

(57) **CLAIM**

The ornamental design for a wireless communication device  
for a personal data assistant, as shown and described.

**DESCRIPTION**

FIG. 1 is a top perspective view of a wireless communica-  
tion device for a personal data assistant according to the  
present invention;

FIG. 2 is a top perspective view of a wireless communica-  
tion device for a personal data assistant according to the  
present invention;

FIG. 3 is a top view thereof;

FIG. 4 is a right side view thereof;

FIG. 5 is a bottom view thereof;

FIG. 6 is a left side view thereof;

FIG. 7 is a front view thereof;

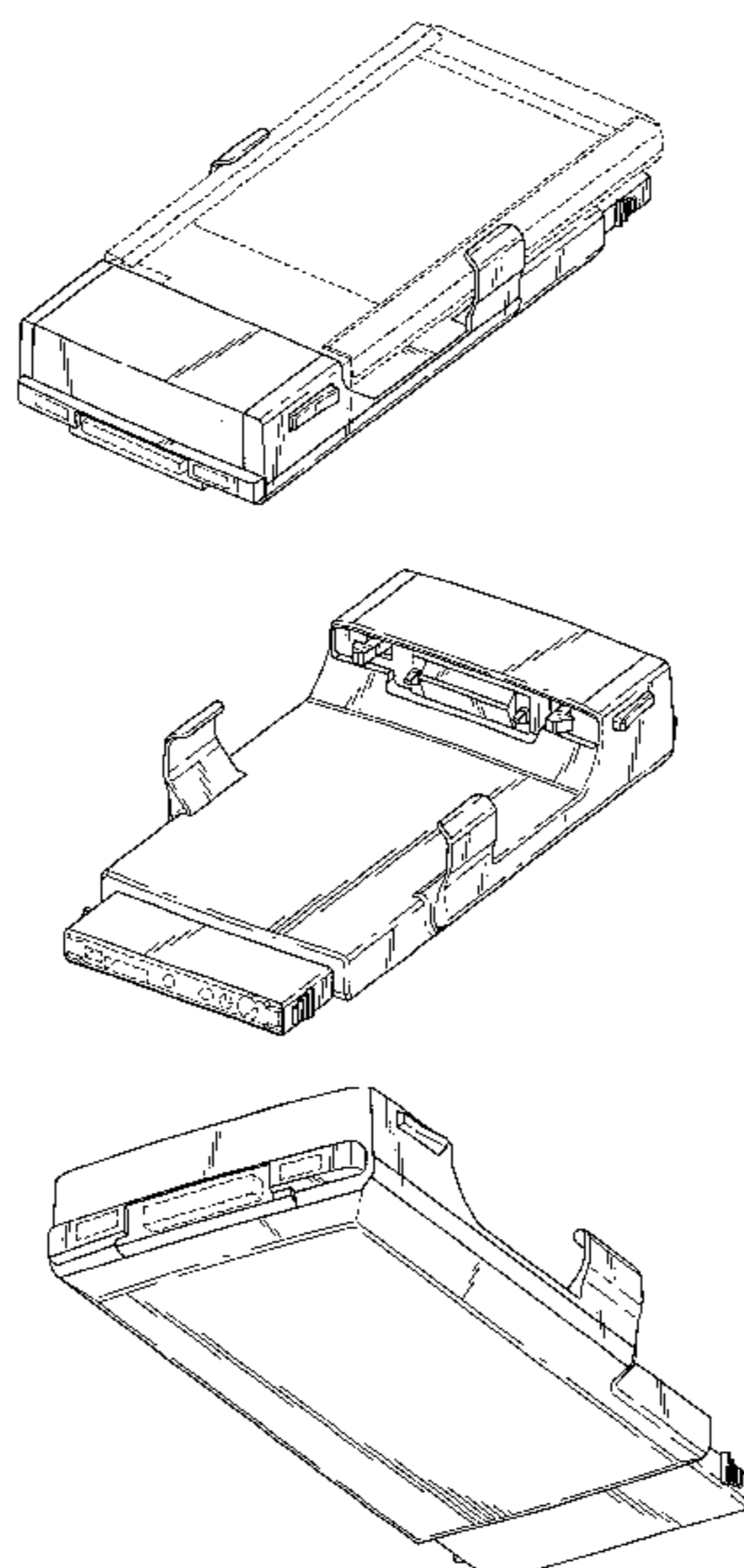
FIG. 8 is a rear view thereof;

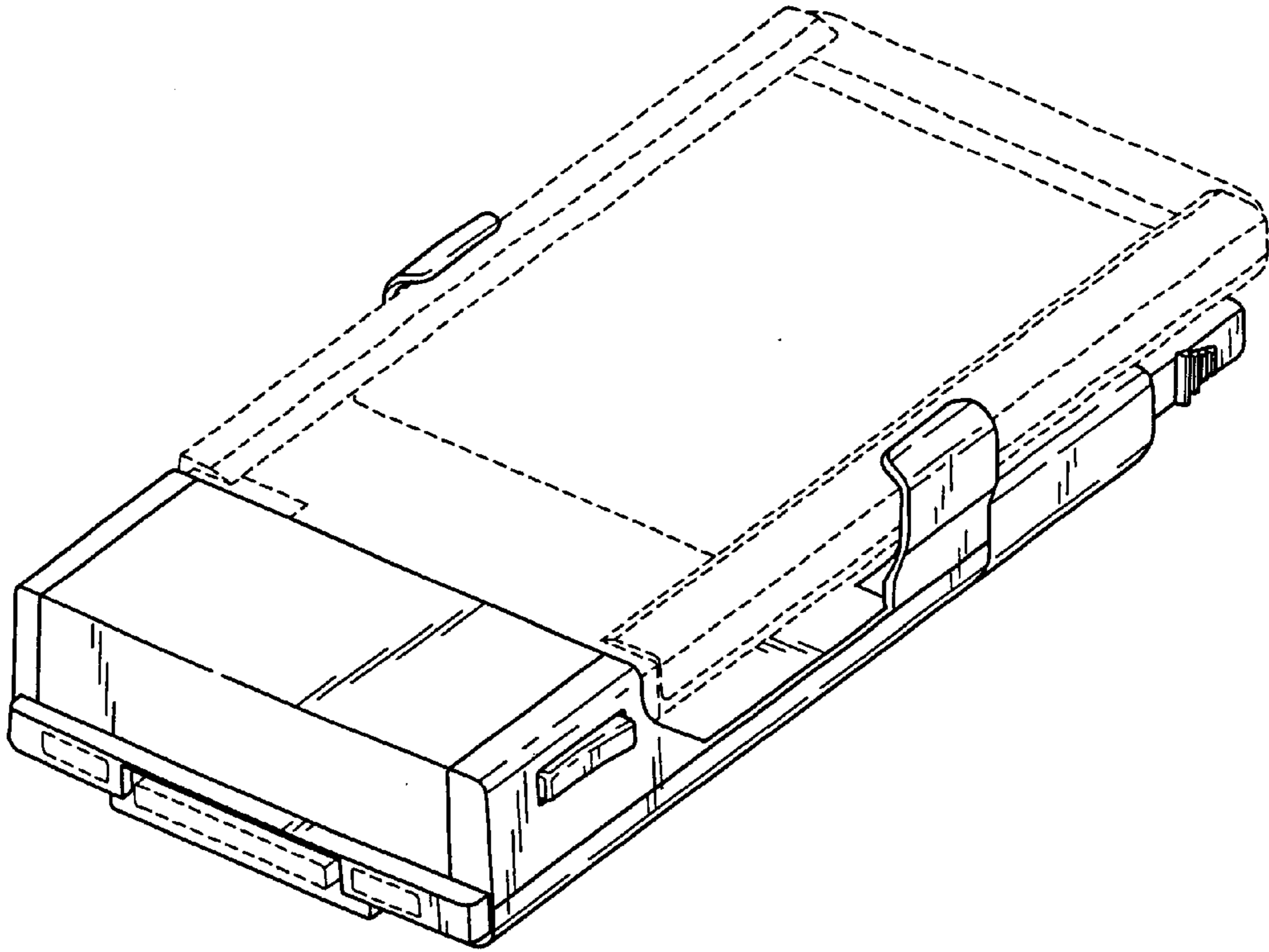
FIG. 9 is a rear perspective view thereof; and,

FIG. 10 is a bottom perspective view.

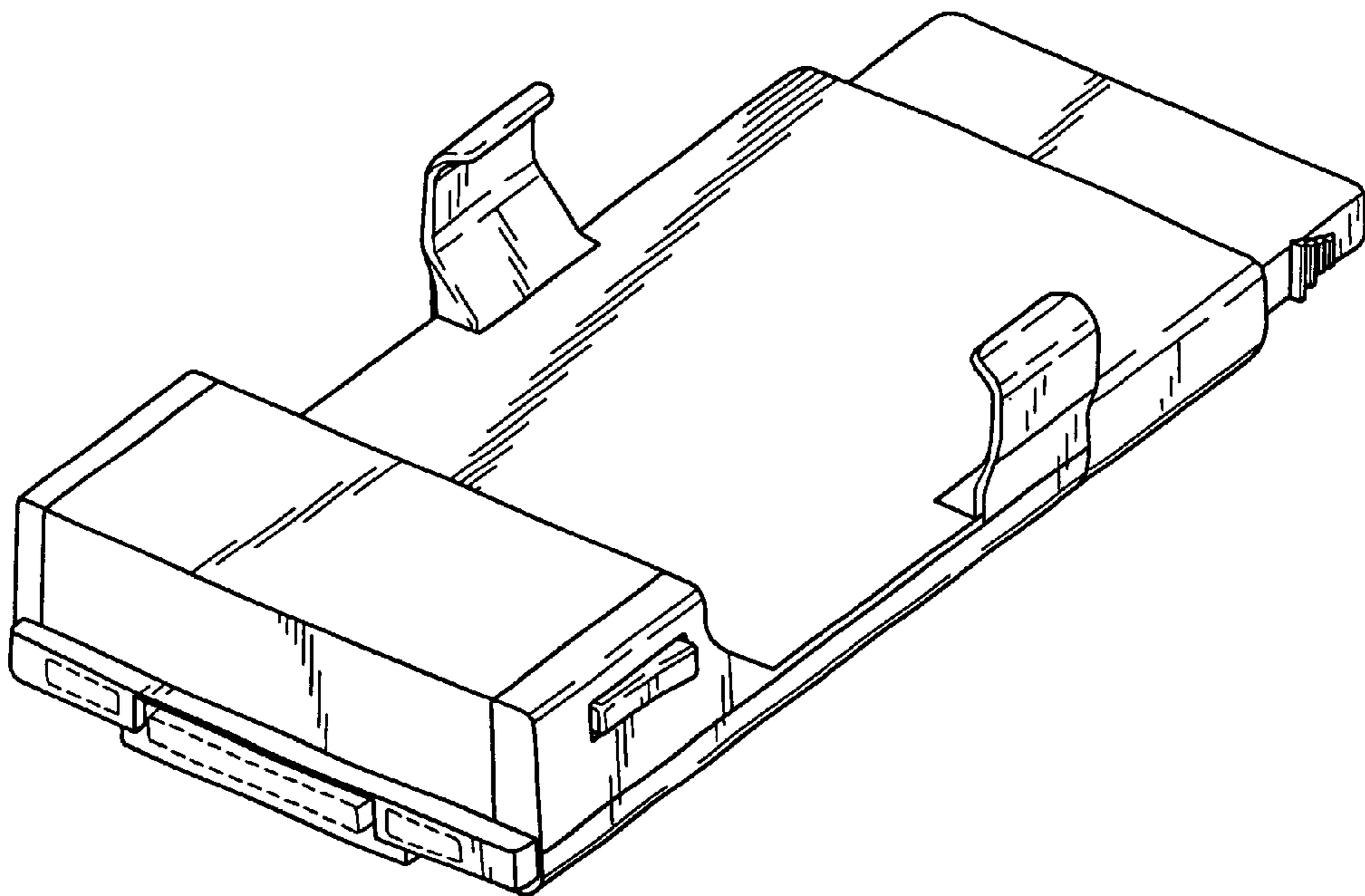
The broken line showings of a personal data assistant in FIG.  
1, and of various features on the communication device  
throughout the views, are for illustrative purposes only and  
form no part of the claimed design.

**1 Claim, 5 Drawing Sheets**

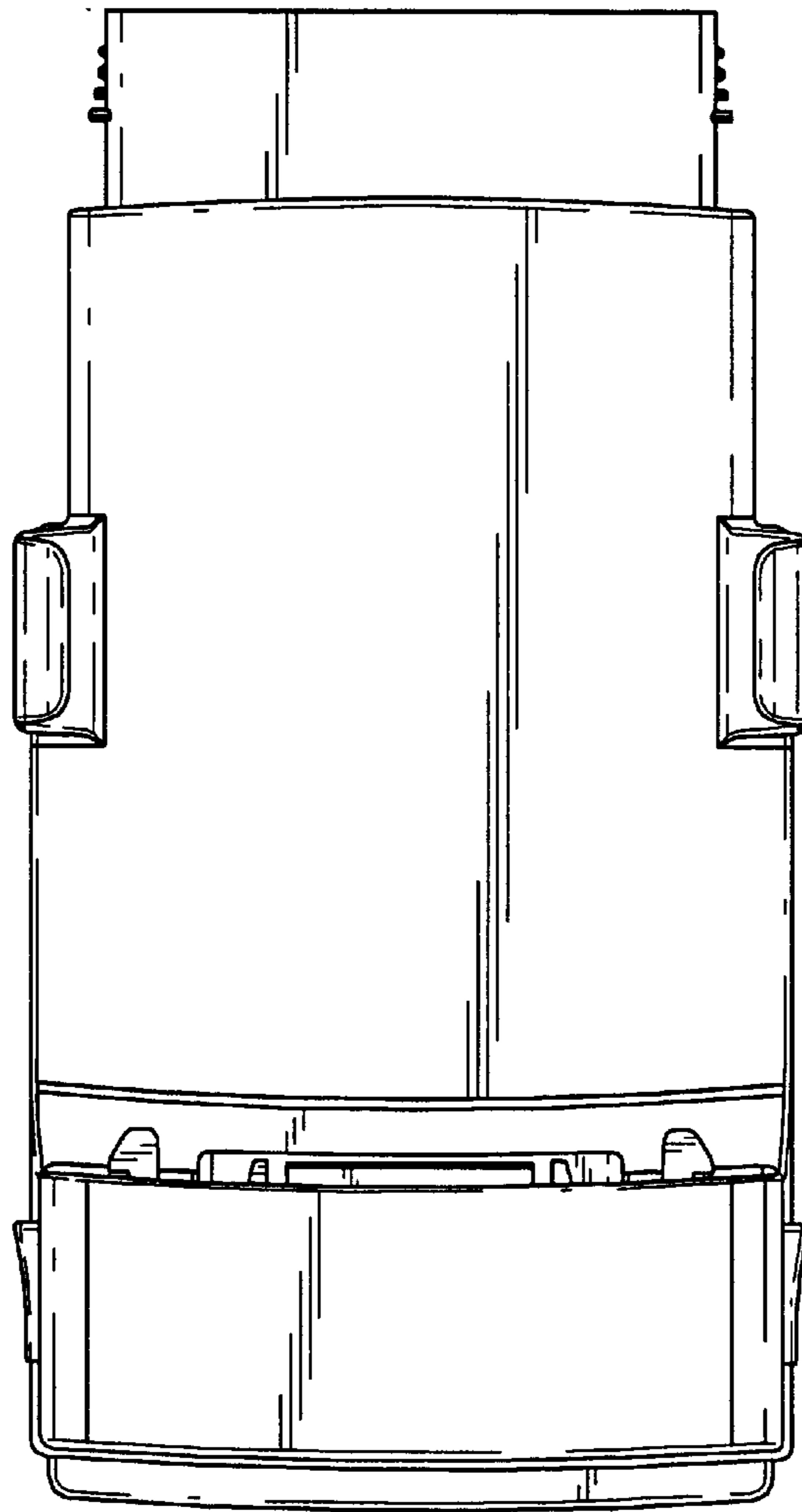




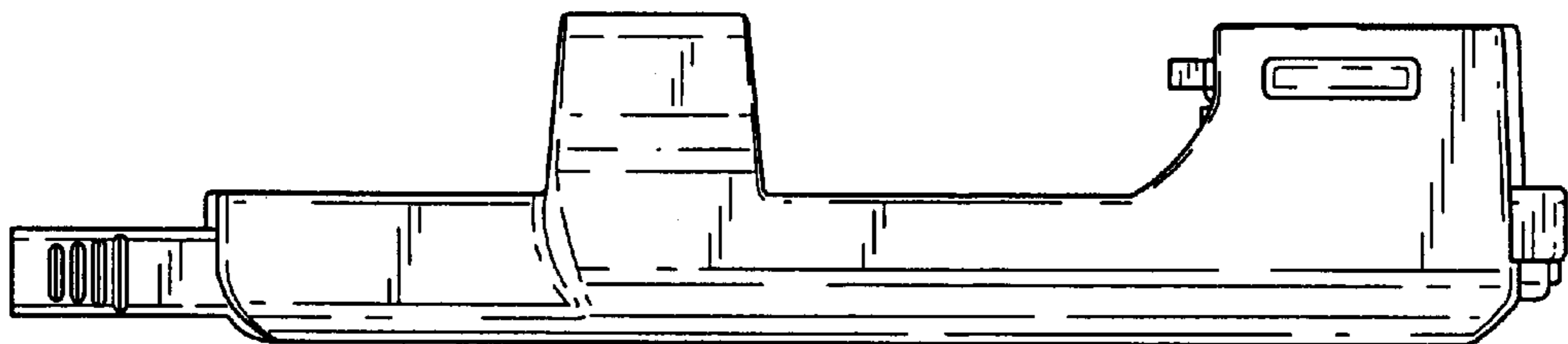
**FIG. 1**



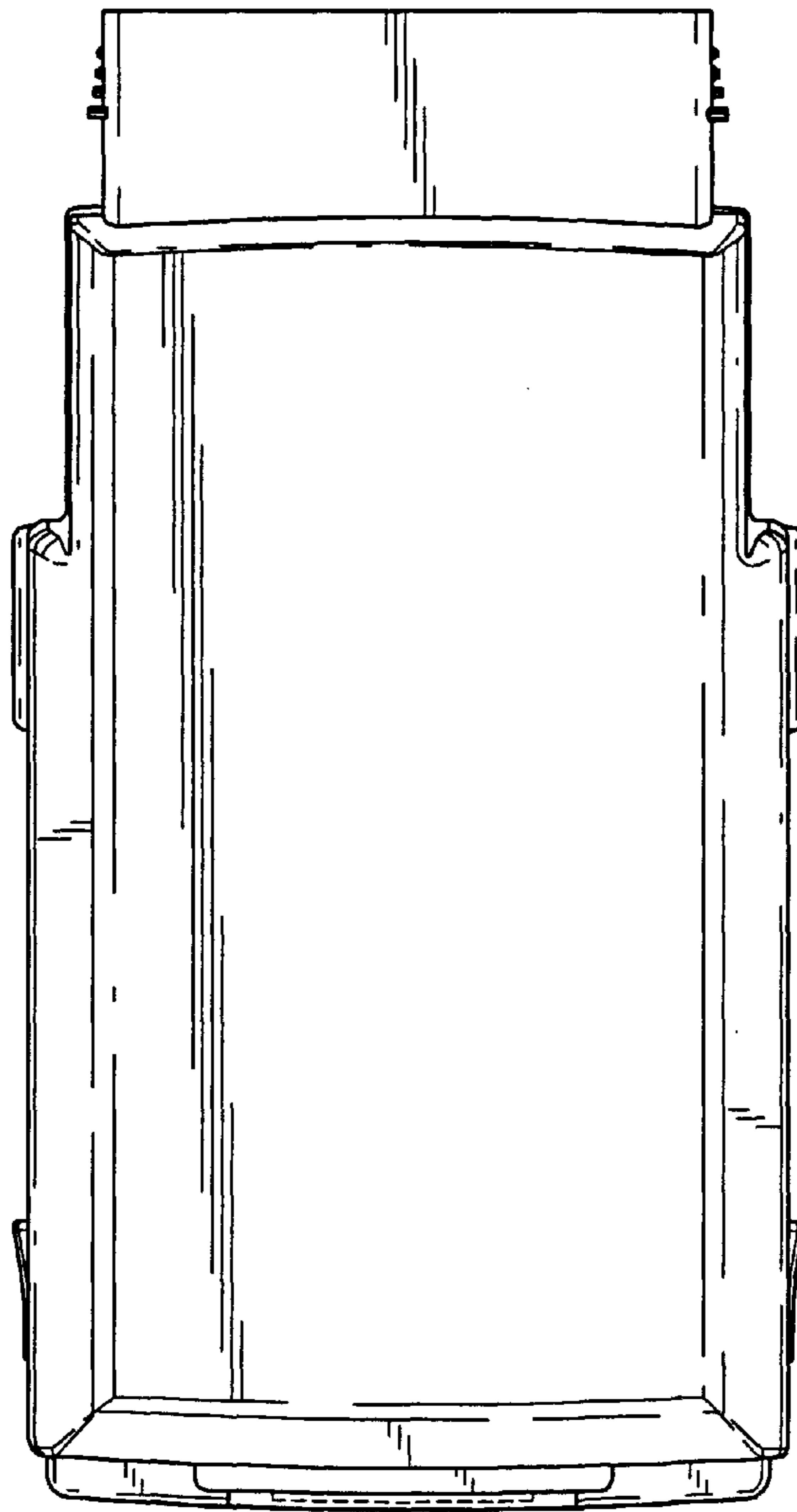
**FIG. 2**



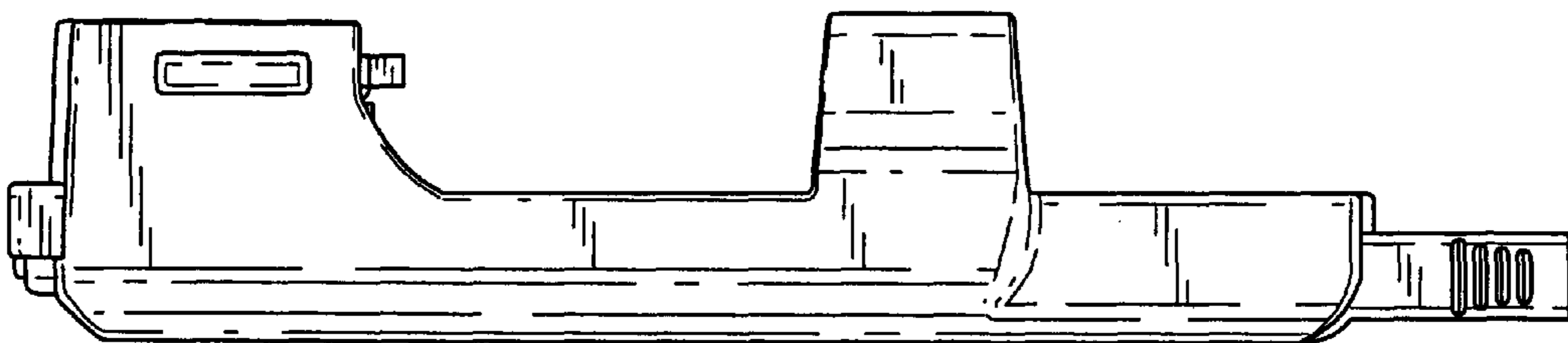
**FIG. 3**



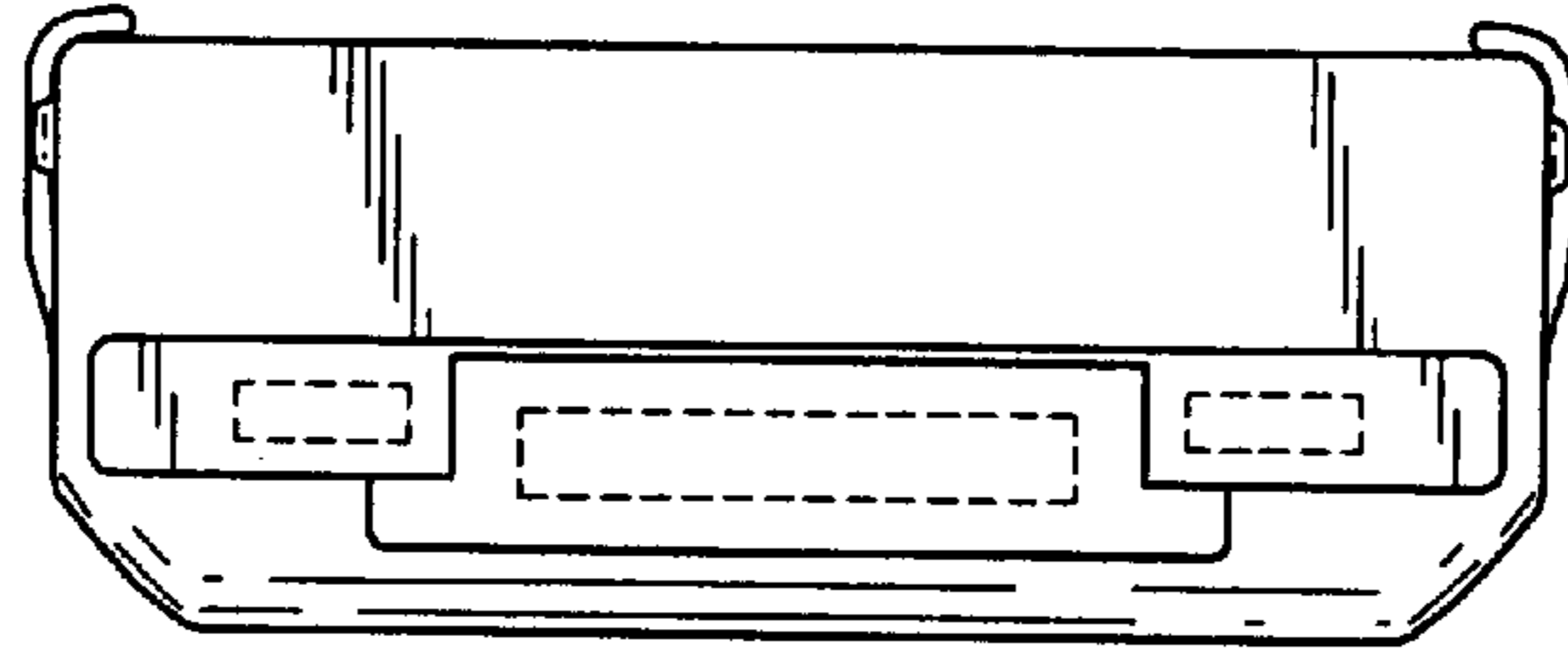
**FIG. 4**



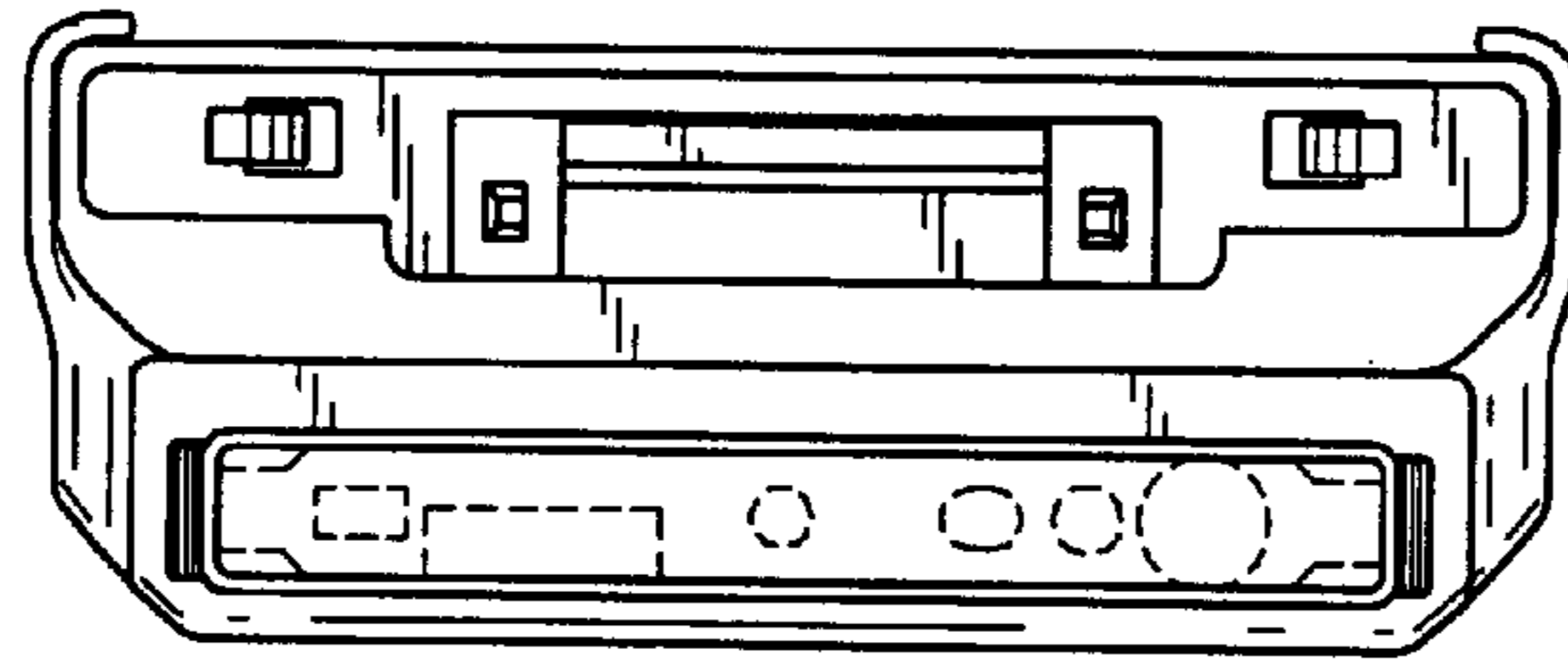
**FIG. 5**



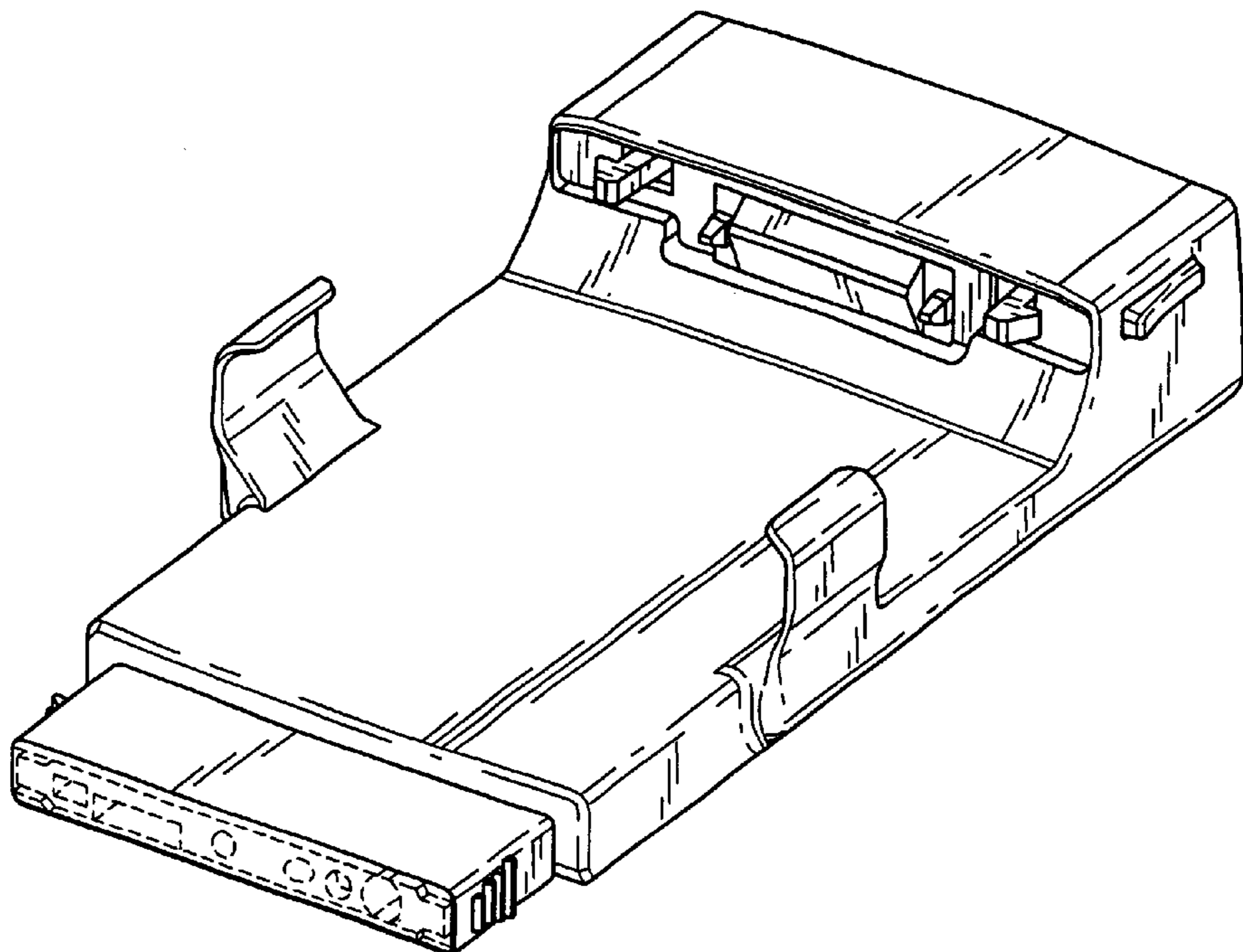
**FIG. 6**



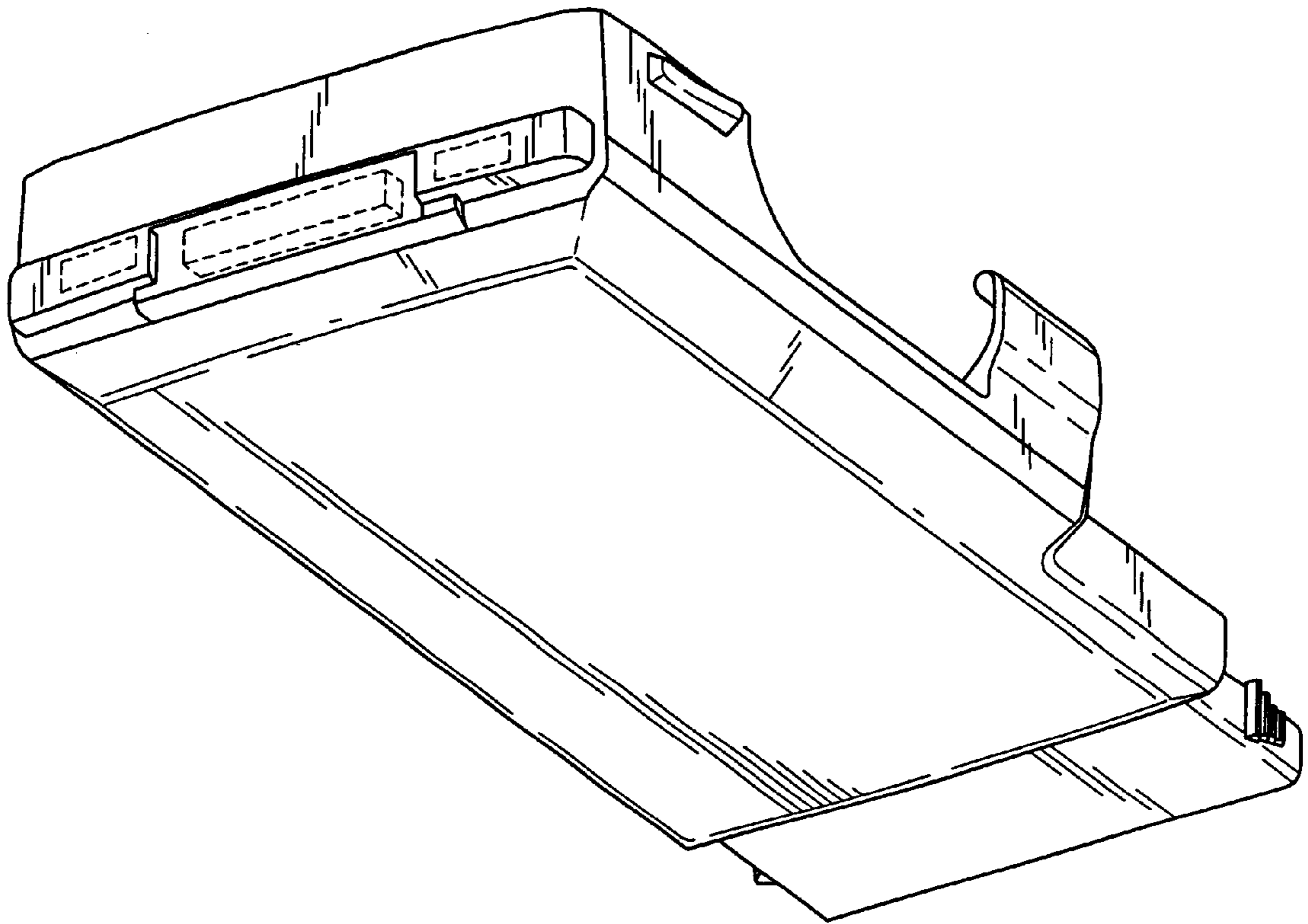
**FIG. 7**



**FIG. 8**



**FIG. 9**



**FIG. 10**