



US00D452494B1

(12) **United States Design Patent**
Södling

(10) **Patent No.:** **US D452,494 S**

(45) **Date of Patent:** **** Dec. 25, 2001**

- (54) **WIRELESS LAN CARD MODEM**
- (75) Inventor: **Urban Södling, Hälsö (SE)**
- (73) Assignee: **Telefonaktiebolaget LM Ericsson (publ), Stockholm (SE)**
- (**) Term: **14 Years**
- (21) Appl. No.: **29/136,318**
- (22) Filed: **Jan. 30, 2001**
- (30) **Foreign Application Priority Data**
 - Aug. 4, 2000 (SE) 00-1389
- (51) **LOC (7) Cl.** **14-01**
- (52) **U.S. Cl.** **D14/242**
- (58) **Field of Search** D14/125, 257,
D14/140, 142, 299, 433, 434, 356-358,
435-438, 308, 349, 353, 240, 242, 155,
159, 141, 352, 439; 379/419, 420, 428,
440, 406, 93.01, 93.28; 455/550-575, 90;
D13/184; 361/600, 622, 724-728; 375/220-225

- (56) **References Cited**
U.S. PATENT DOCUMENTS
 - D. 345,980 * 4/1994 Scheid et al. D14/191
 - D. 355,412 * 2/1995 Rak et al. D14/107
 - D. 361,332 * 8/1995 Scheid et al. D14/191
 - D. 364,399 * 11/1995 Long D14/114
 - D. 367,653 * 3/1996 Tajima D14/191
 - D. 370,904 * 6/1996 Nakata et al. D14/116
 - D. 371,770 * 7/1996 Larson et al. D14/107
 - D. 375,941 * 11/1996 Kerklaan D13/182
 - D. 378,085 * 2/1997 Kerklaan et al. D14/114

- D. 414,481 * 9/1999 Wu D14/117
- D. 415,479 * 10/1999 Yang et al. D14/114
- D. 415,740 * 10/1999 Lee et al. D14/107
- D. 416,547 * 11/1999 Lee et al. D14/107
- D. 425,045 * 5/2000 Ting D14/117
- D. 425,072 * 5/2000 Dosch et al. D14/242
- D. 431,035 * 9/2000 Lehtomaki D14/242
- 5,361,061 * 11/1994 Mays et al. 340/825.44
- 5,472,351 * 12/1995 Greco et al. 439/353
- 5,550,861 * 8/1996 Chan et al. 375/222
- 5,905,947 * 5/1999 Stein 455/90
- 5,913,174 * 6/1999 Casarez et al. 455/557
- 6,131,040 * 10/2000 Knuutila et al. 455/550

* cited by examiner

Primary Examiner—Jeffrey Asch

(74) *Attorney, Agent, or Firm*—Burns, Doane, Swecker & Mathis, L.L.P.

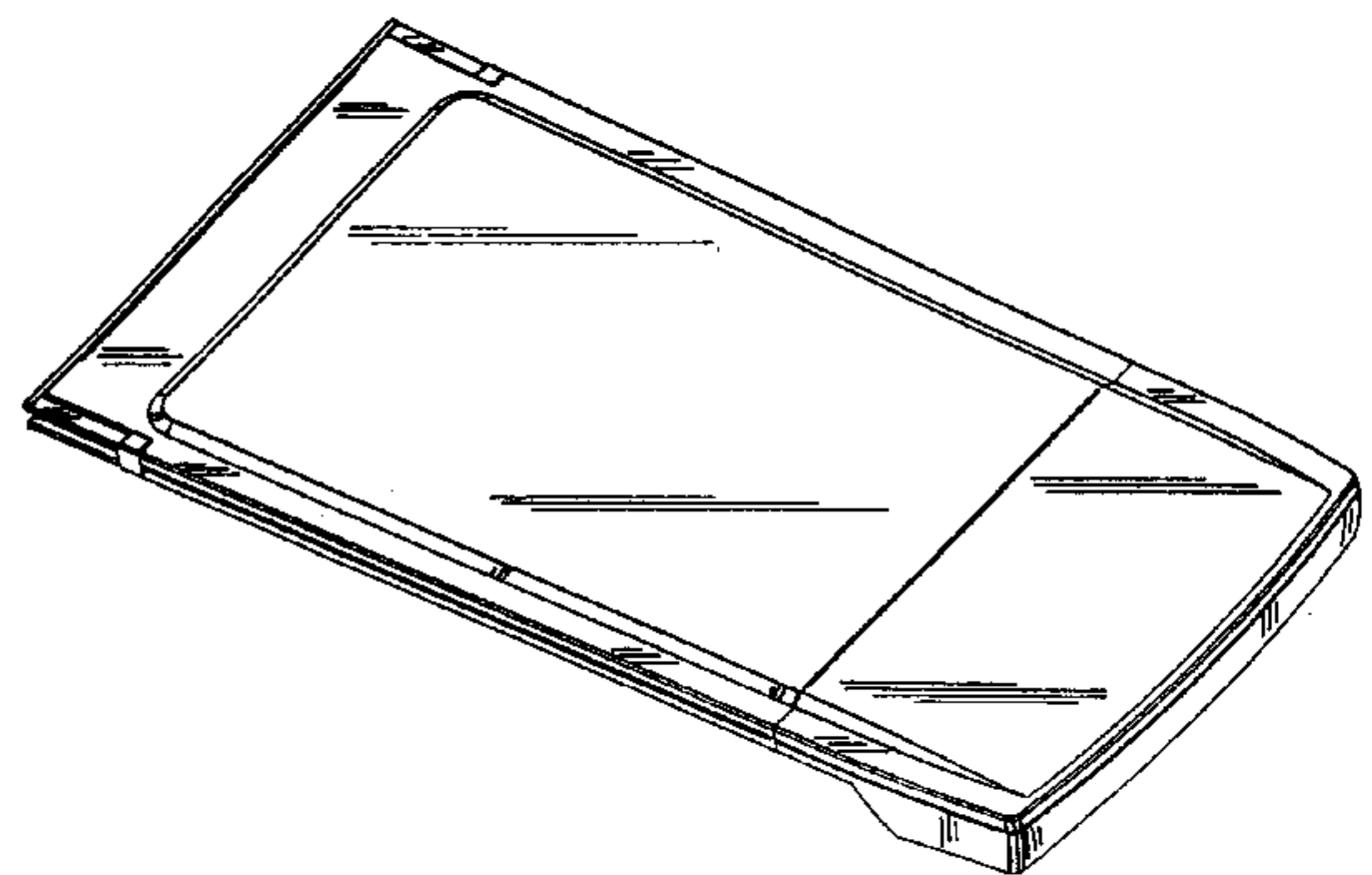
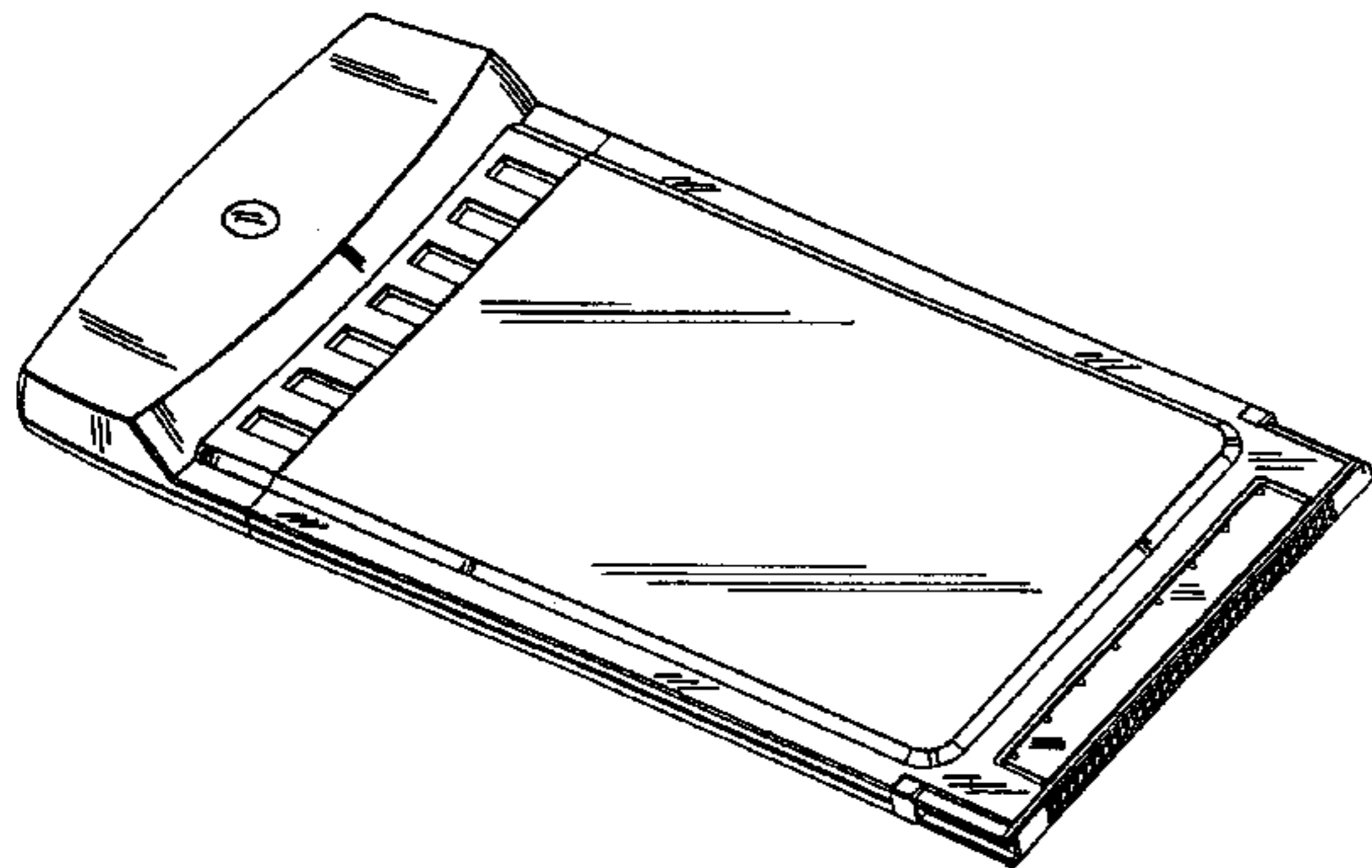
(57) **CLAIM**

The ornamental design for a wireless LAN card modem, as shown and described.

DESCRIPTION

FIG. 1 is a top, rear perspective view of a wireless LAN card modem showing my new design;
FIG. 2 is a bottom, front perspective view thereof;
FIG. 3 is a bottom plan view thereof;
FIG. 4 is a top plan view thereof;
FIG. 5 is a left side elevational view thereof;
FIG. 6 is a right side elevational view thereof;
FIG. 7 is a front elevational view thereof; and,
FIG. 8 is a rear elevational view thereof.

1 Claim, 2 Drawing Sheets



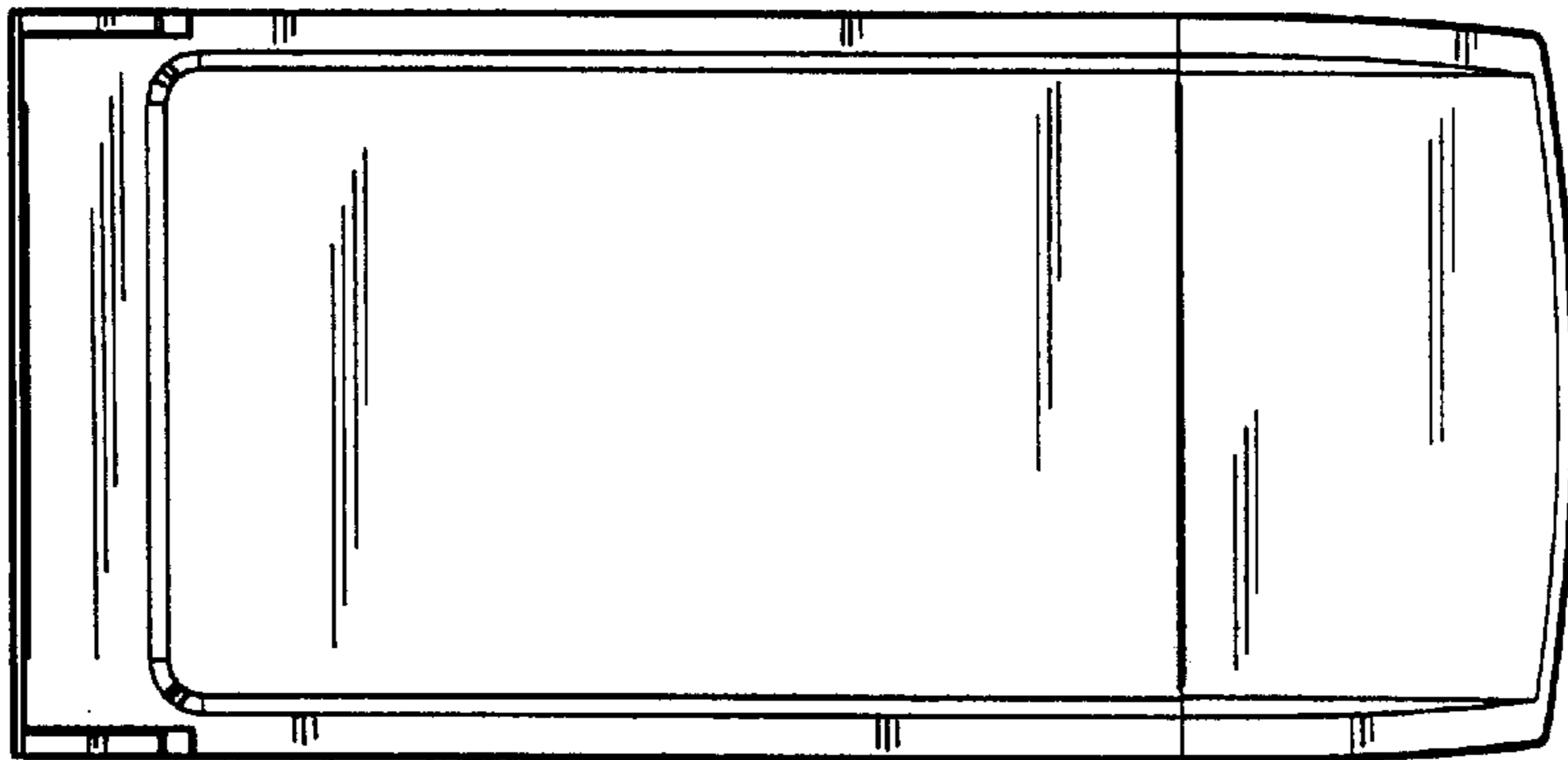


FIG. 3

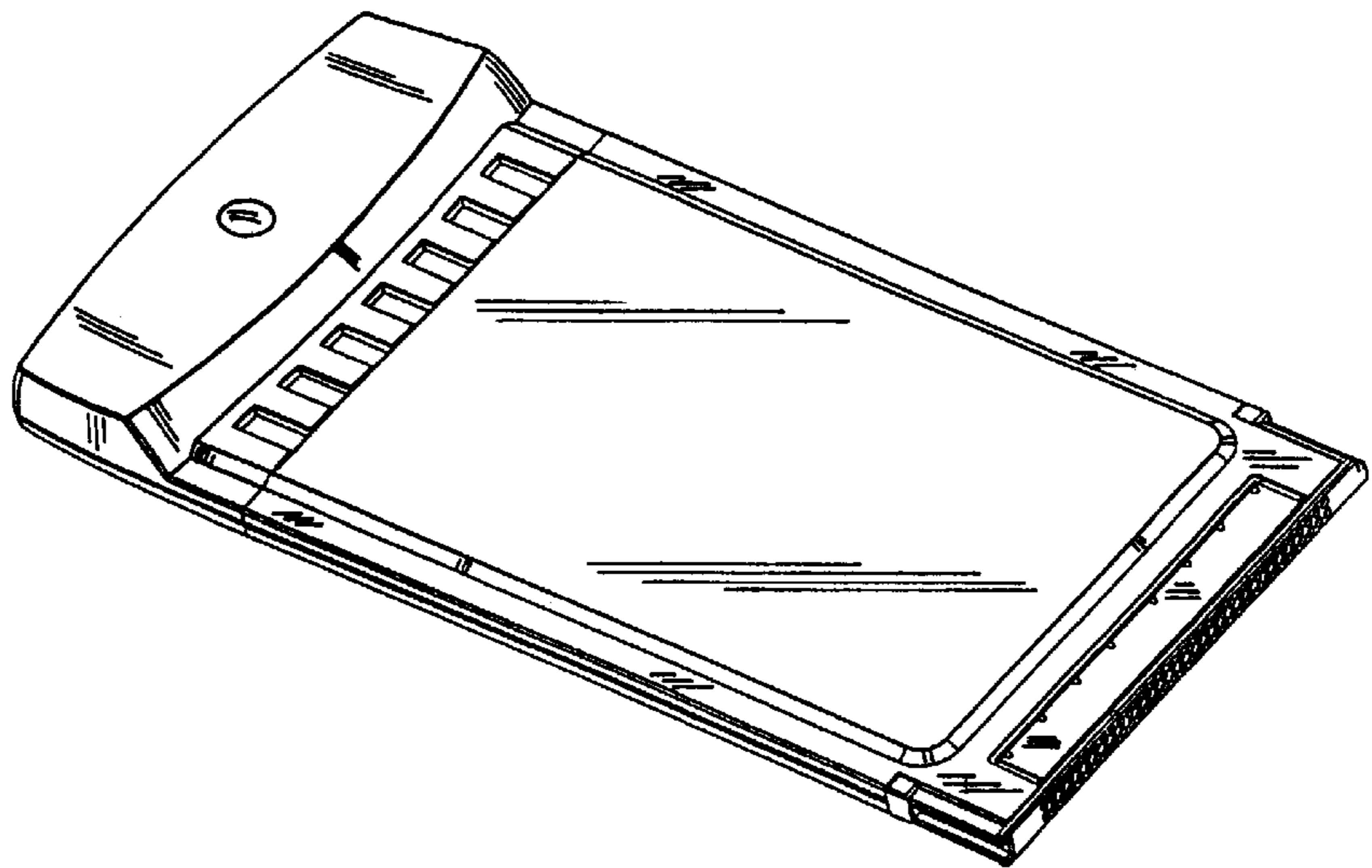


FIG. 1

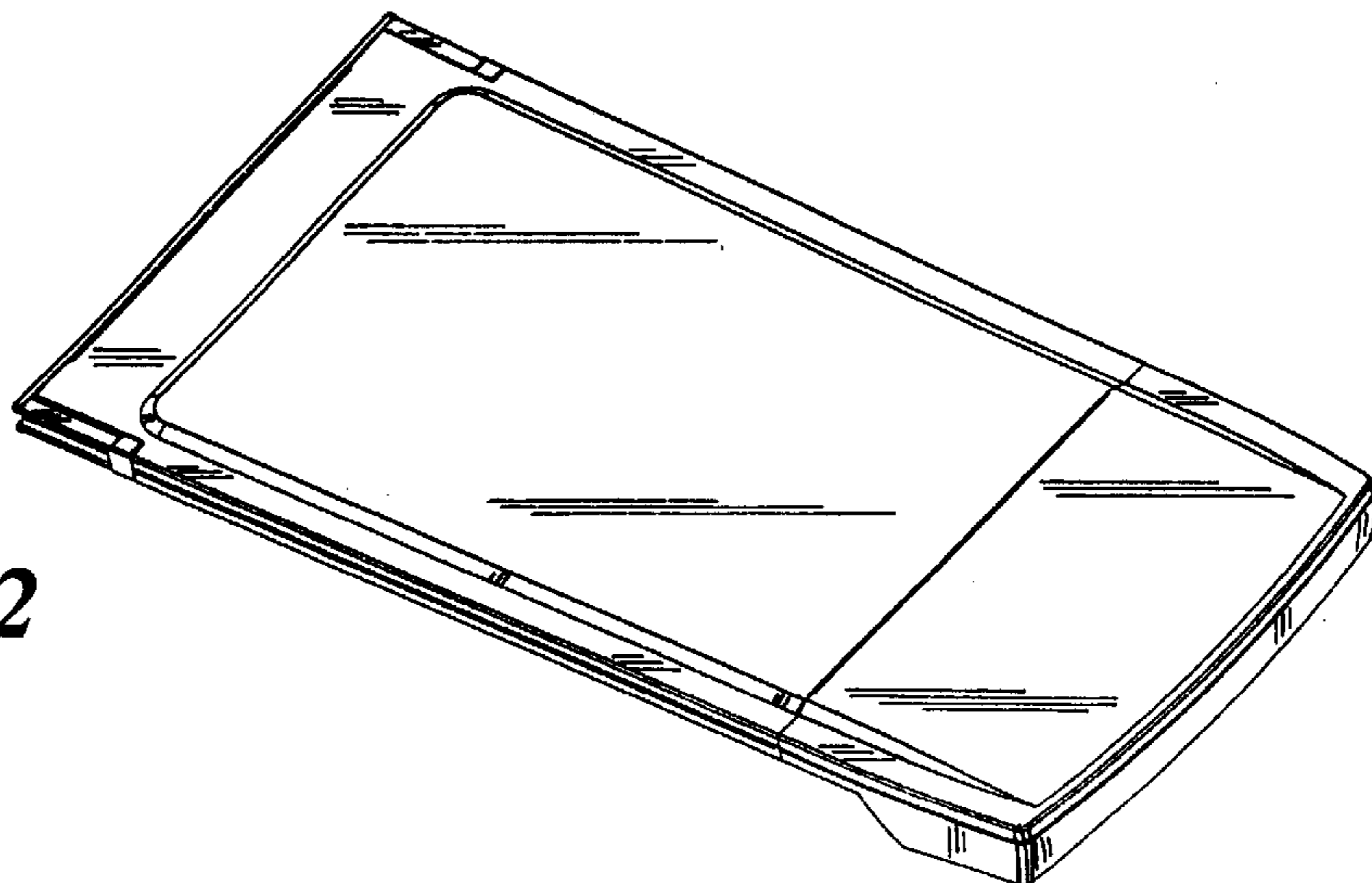


FIG. 2

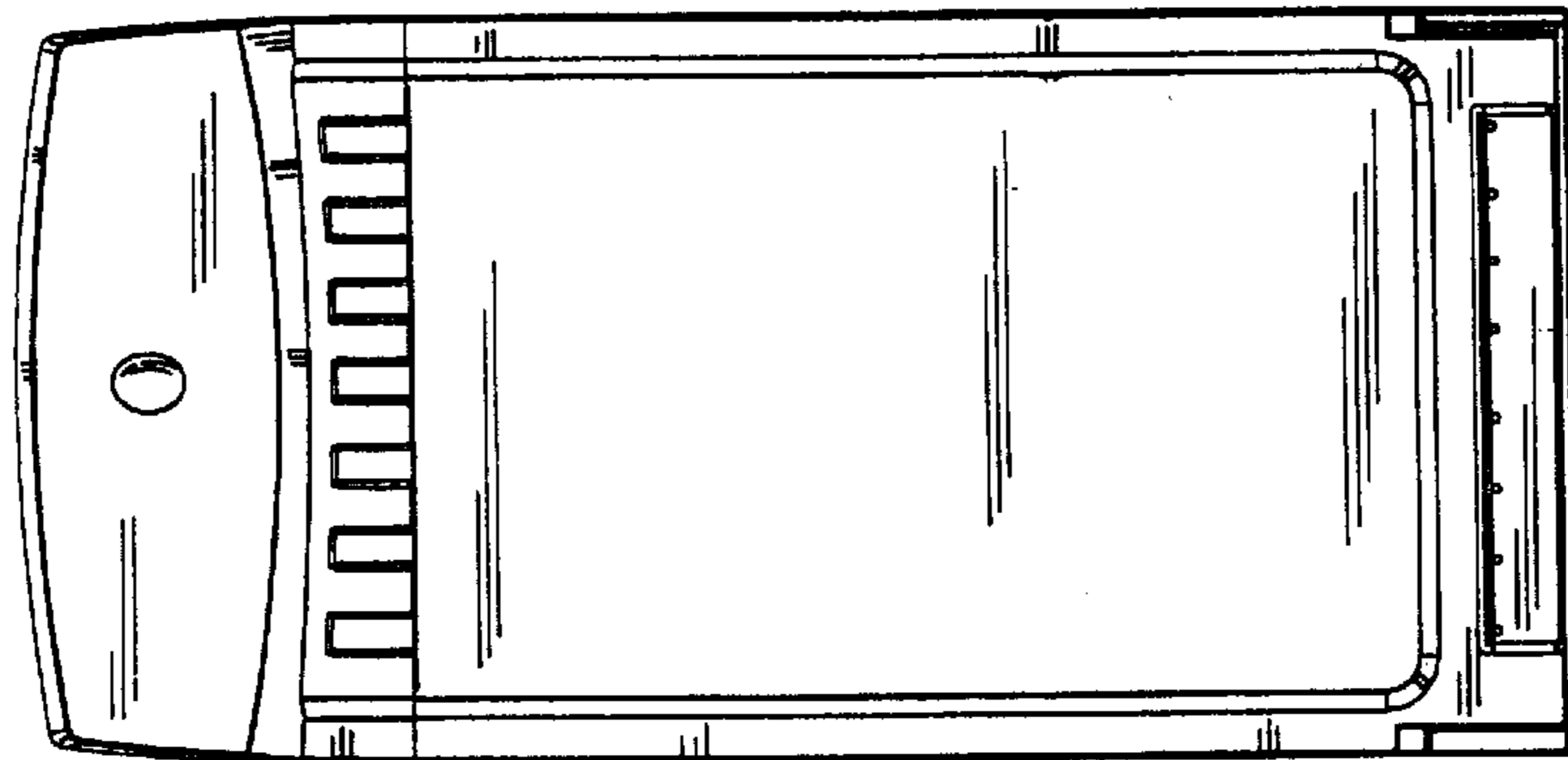


FIG. 4

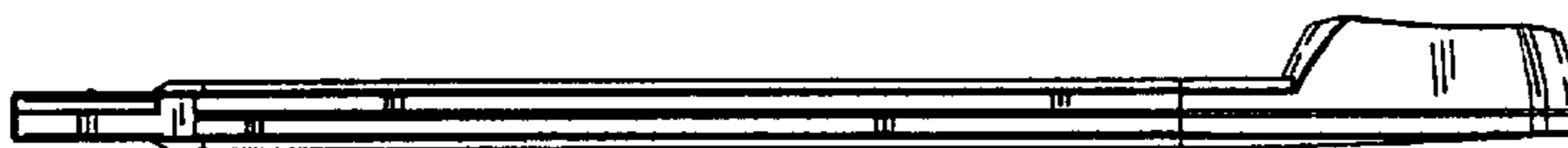


FIG. 5

FIG. 6

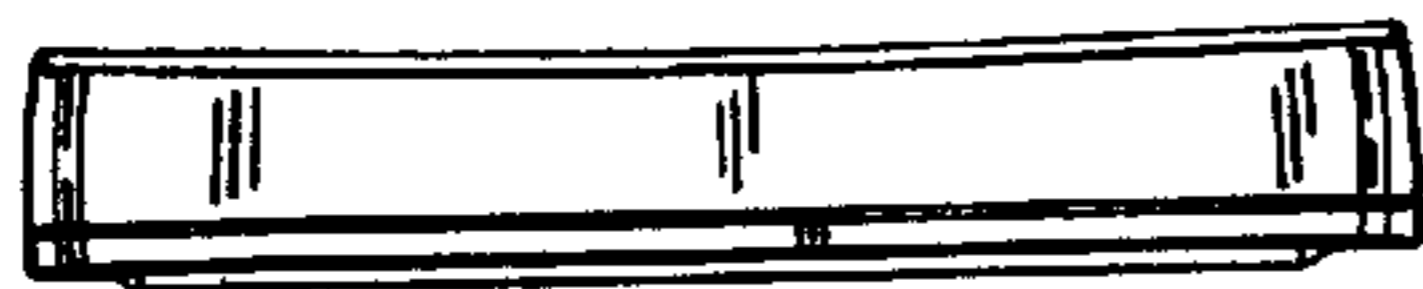
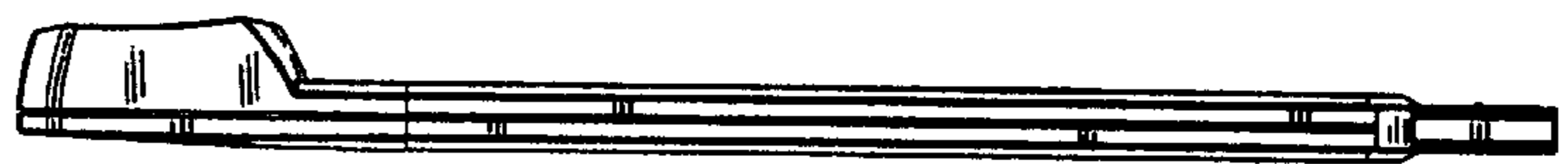


FIG. 7

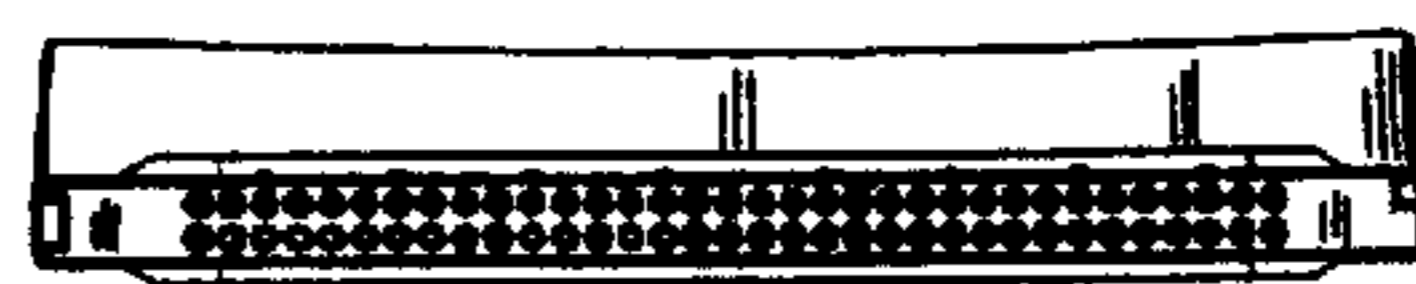


FIG. 8