



US00D452492B1

(12) **United States Design Patent**  
**Mori**

(10) **Patent No.:** **US D452,492 S**

(45) **Date of Patent:** **\*\* Dec. 25, 2001**

(54) **HEADPHONE**

(75) Inventor: **Akinari Mori**, Tokyo (JP)

(73) Assignee: **Sony Corporation**, Tokyo (JP)

(\*\*) Term: **14 Years**

(21) Appl. No.: **29/143,283**

(22) Filed: **Jun. 12, 2001**

**Related U.S. Application Data**

(62) Division of application No. 29/127,863, filed on Aug. 15, 2000, now Pat. No. Des. 443,872.

(51) **LOC (7) Cl.** ..... **14-01**

(52) **U.S. Cl.** ..... **D14/223**

(58) **Field of Search** ..... D14/205, 206,  
D14/223, 249; 181/129, 130; 381/376-379,  
381, 383

(56) **References Cited**

**U.S. PATENT DOCUMENTS**

D. 135,674	5/1943	William et al. ....	D14/205
D. 299,129	12/1988	Wiegel .....	D14/223
D. 376,598	12/1996	Hayashi .....	D14/206
D. 379,817	6/1997	Lin .....	D14/223
D. 391,575	3/1998	Bergin et al. ....	D14/223
D. 409,197	5/1999	Nakamura .....	D14/205
D. 423,012	4/2000	Yasutomi .....	D14/205
4,189,788 *	2/1980	Schenke .....	381/379
5,117,464 *	5/1992	Jones et al. ....	181/129
6,006,115	12/1999	Wingate .....	D14/205 X

**OTHER PUBLICATIONS**

Catalog "SONY Headphone/Active Speaker System", 3 sheets, Sony, Mar. 1998.

Webpage "Yodobashi Camera Personal Store", 3 sheets, Yodobashi Camera, Jan. 2000.

\* cited by examiner

*Primary Examiner*—Nanda Bondade

(74) *Attorney, Agent, or Firm*—Rader, Fishman & Grauer, PLLC

(57) **CLAIM**

The ornamental design for a headphone, as shown and described.

**DESCRIPTION**

FIG. 1 is a perspective view of a headphone showing my new design;

FIG. 2 is a top plan view thereof;

FIG. 3 is a bottom plan view thereof;

FIG. 4 is a left side elevational view thereof;

FIG. 5 is a right side elevational view thereof;

FIG. 6 is a front elevational view thereof; and

FIG. 7 is a rear elevational view thereof.

FIG. 8 is a perspective view of another embodiment of a headphone showing my new design;

FIG. 9 is a top plan view thereof;

FIG. 10 is a bottom plan view thereof;

FIG. 11 is a left side elevational view thereof;

FIG. 12 is a right side elevational view thereof;

FIG. 13 is a front elevational view thereof; and,

FIG. 14 is a rear elevational view thereof.

Portions in broken lines on FIGS. 1-14 are for illustrative purposes only and form no part of claimed design.

**1 Claim, 8 Drawing Sheets**

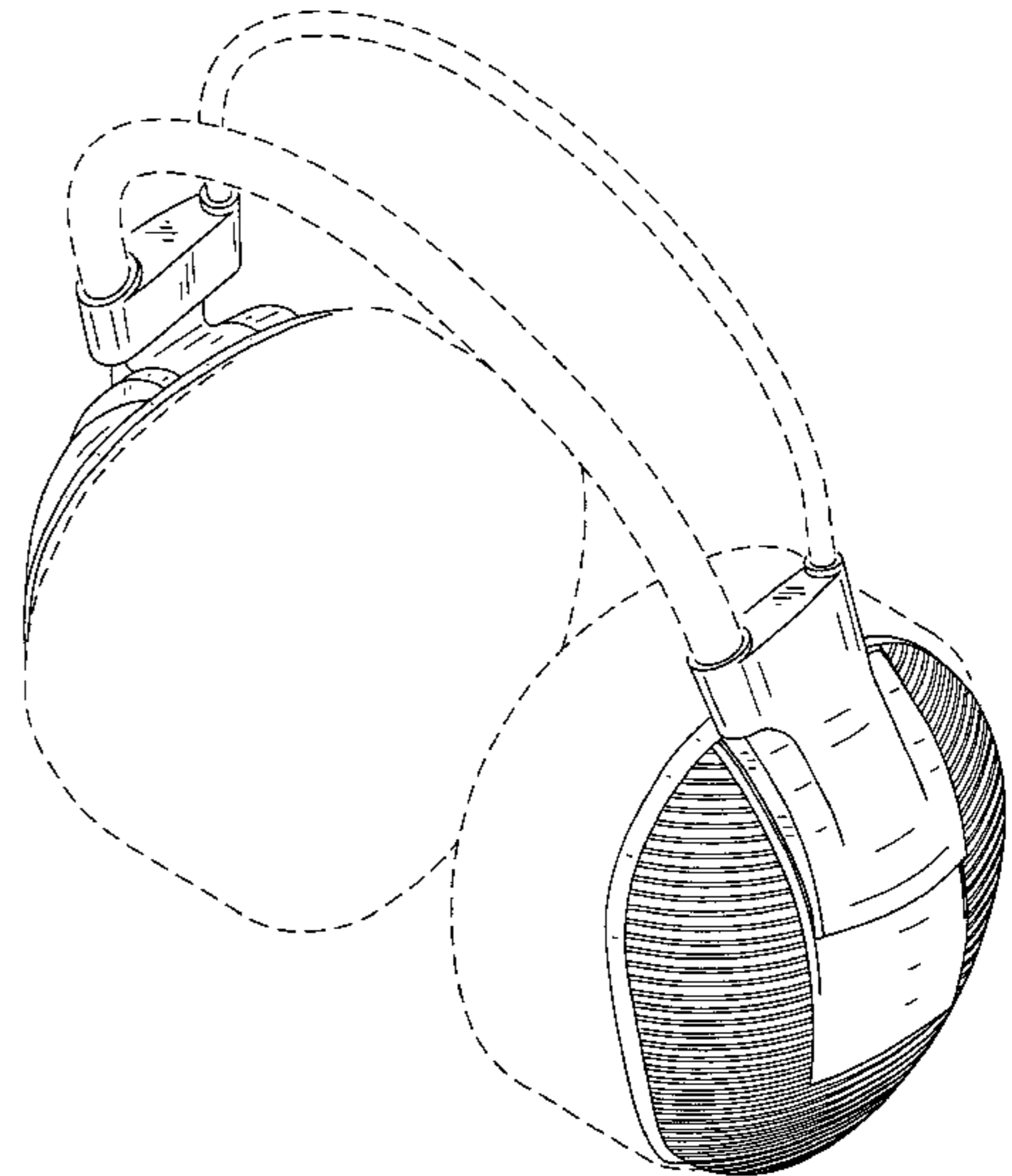
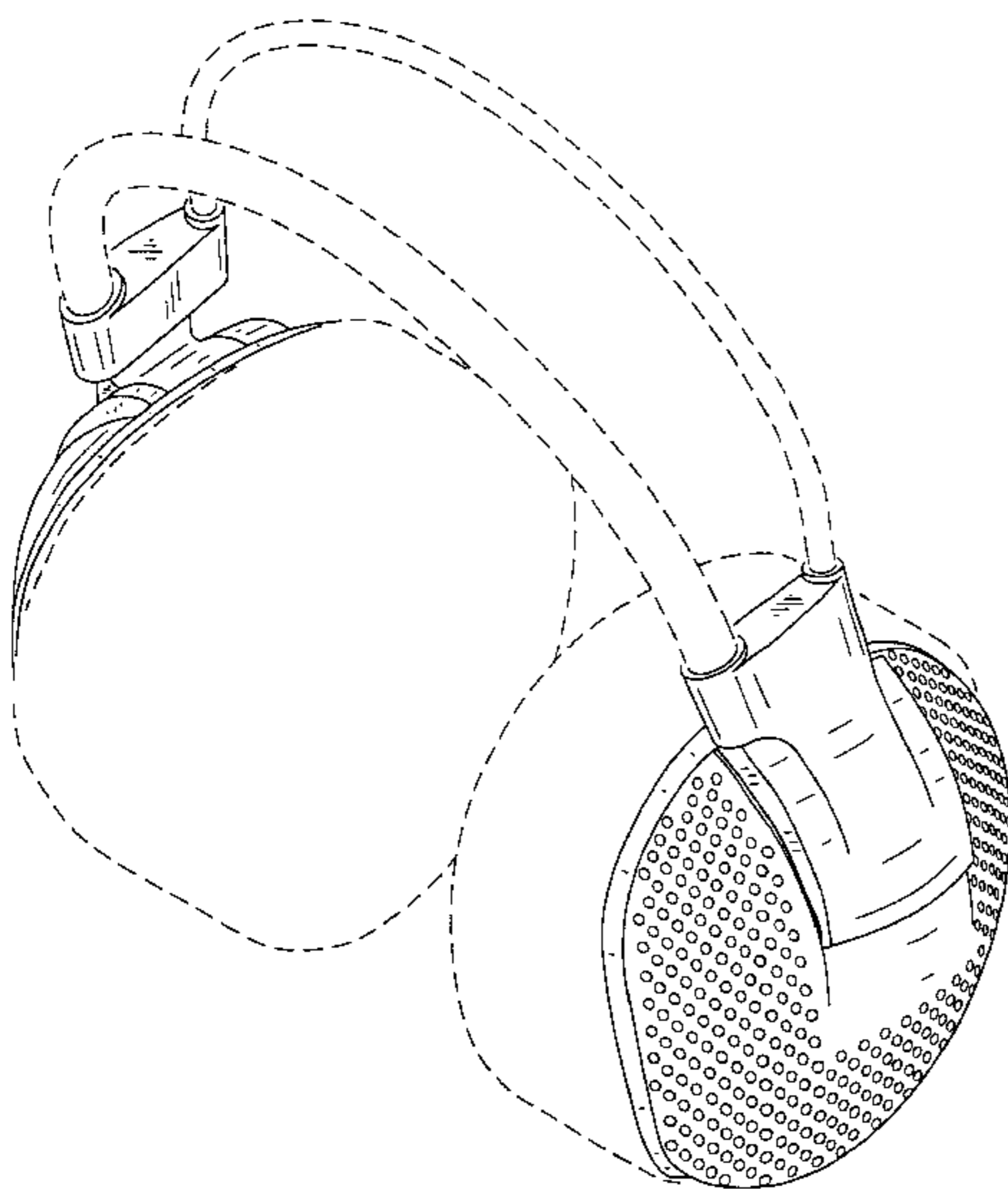


FIG. 1

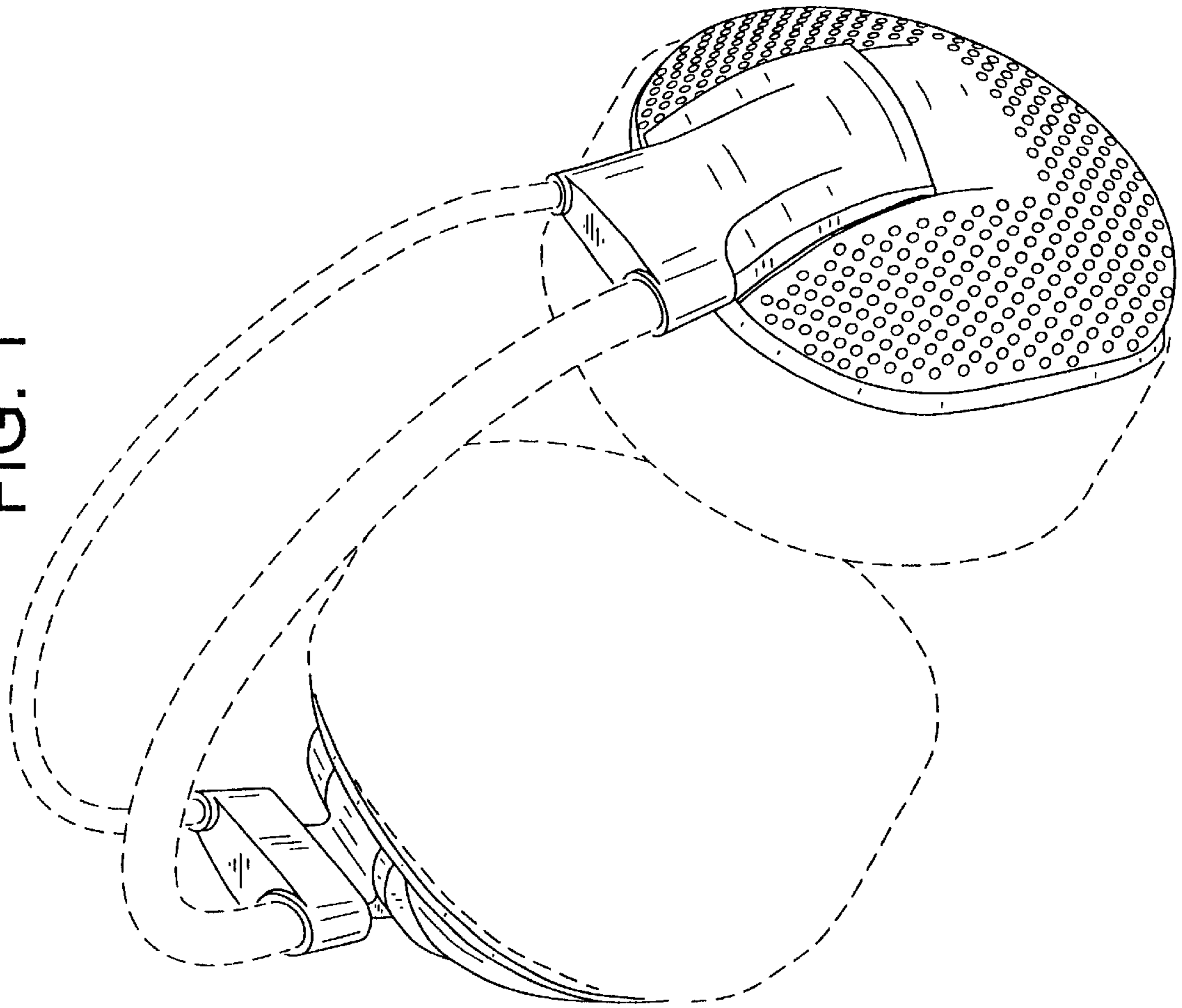


FIG. 3

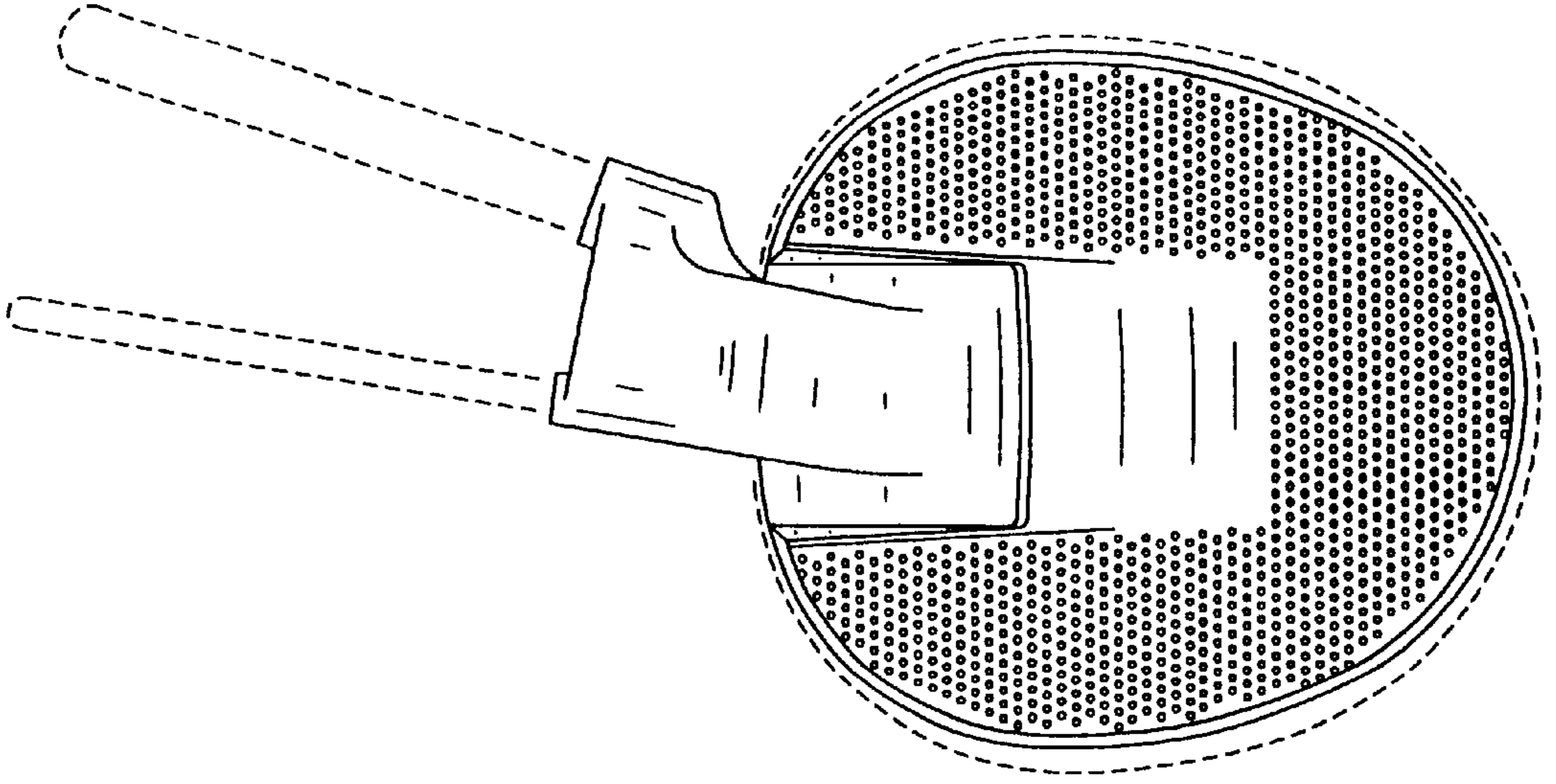


FIG. 2

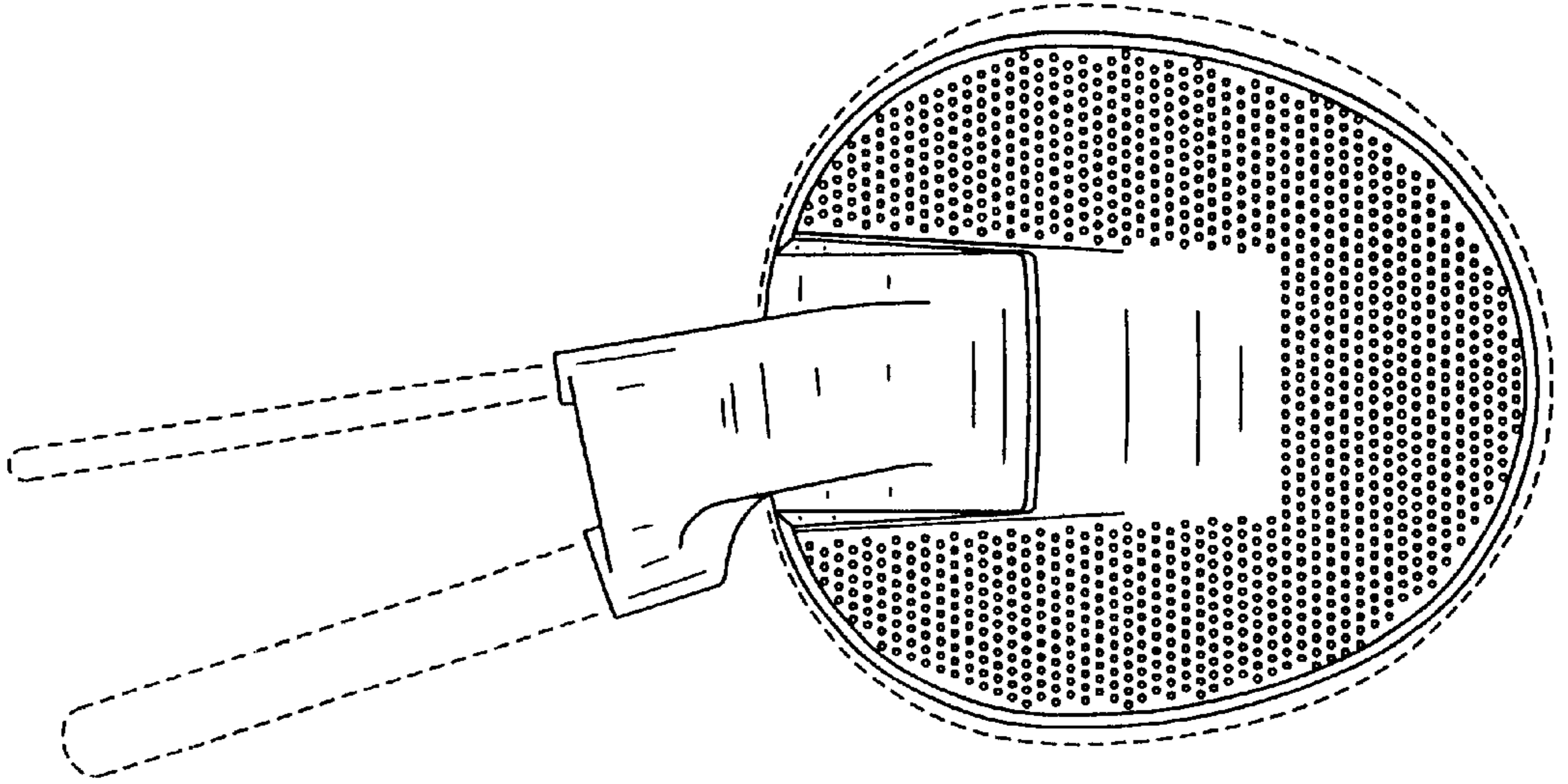


FIG. 5

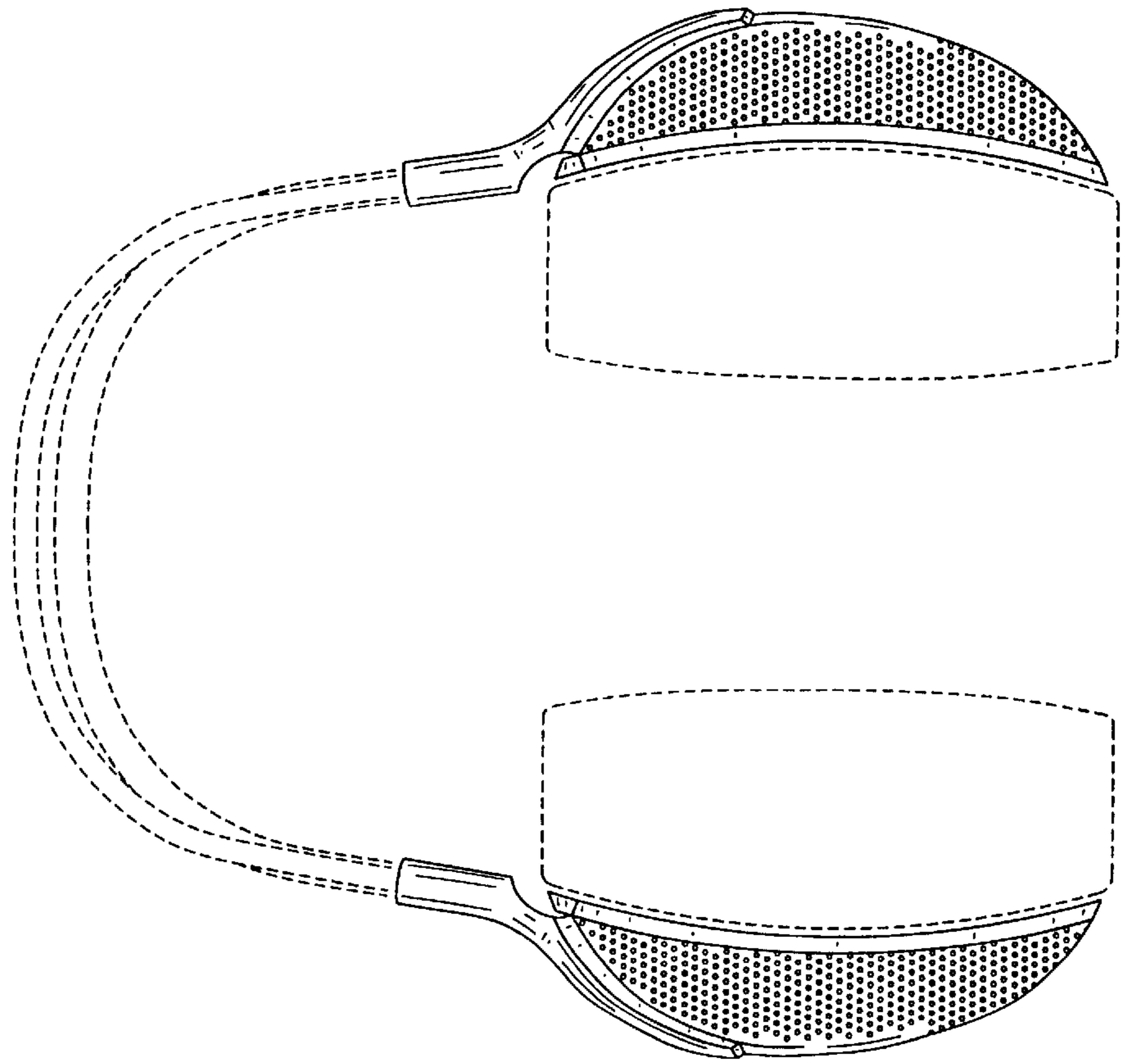


FIG. 4

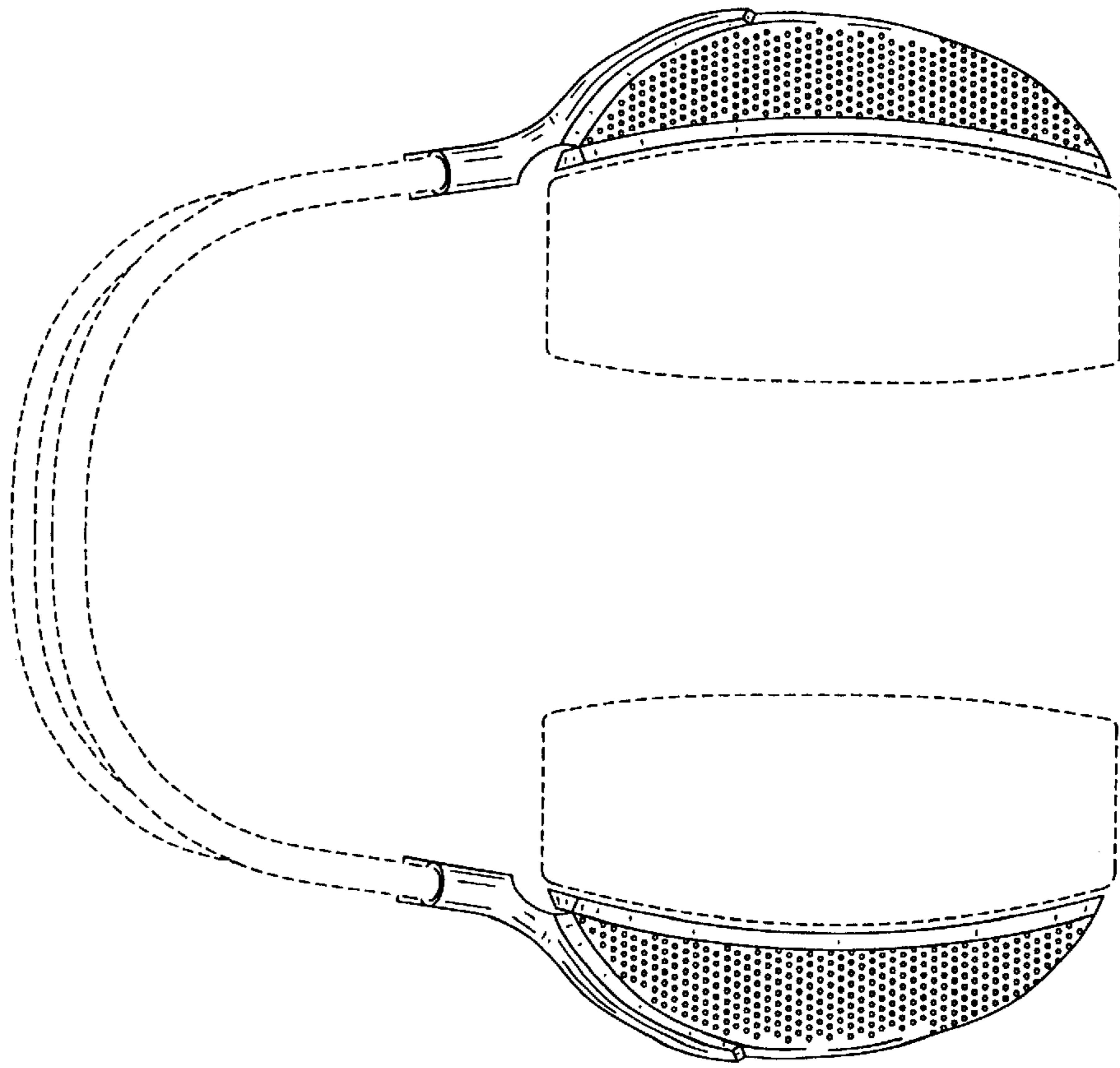


FIG. 7

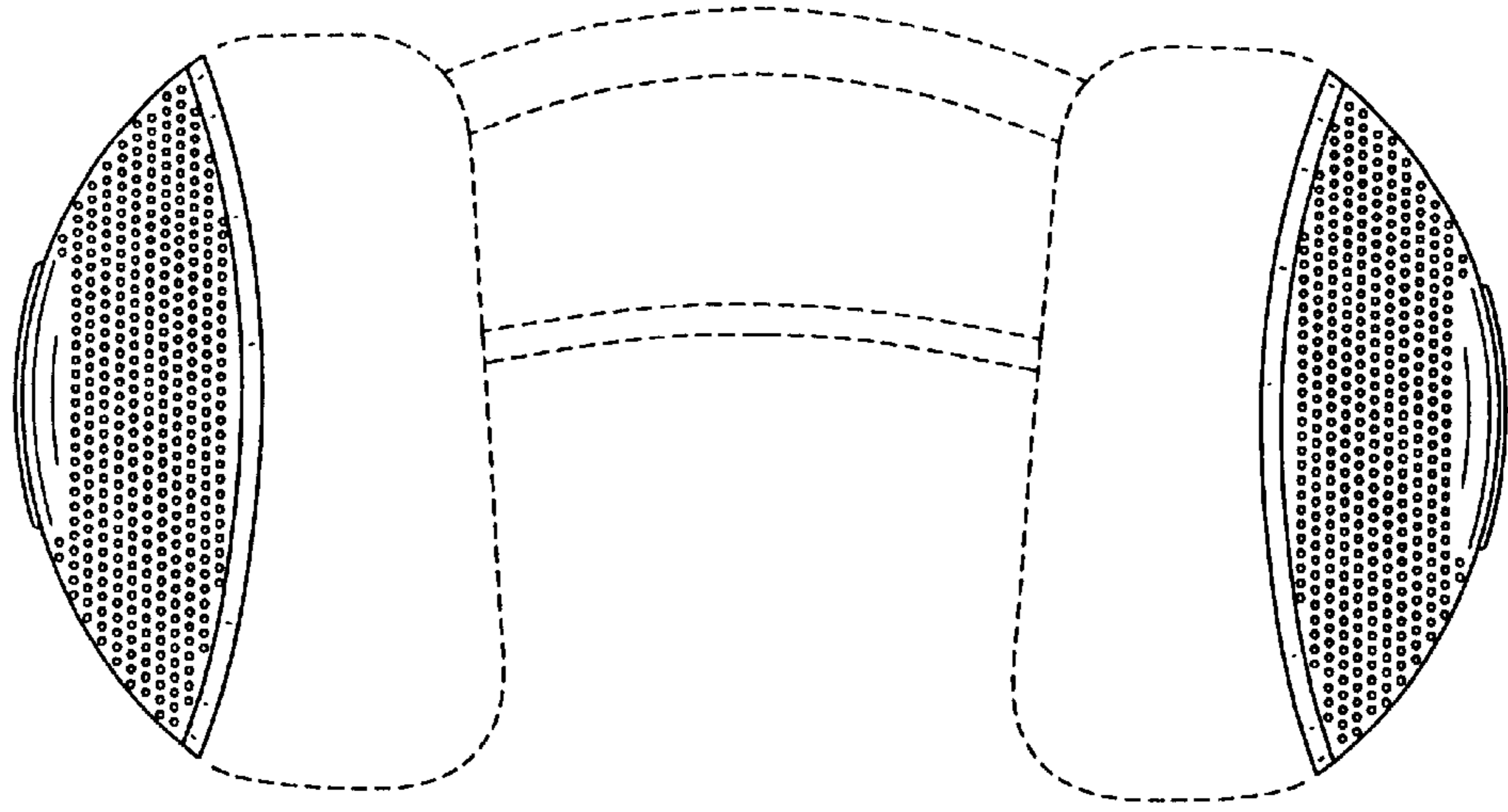


FIG. 6

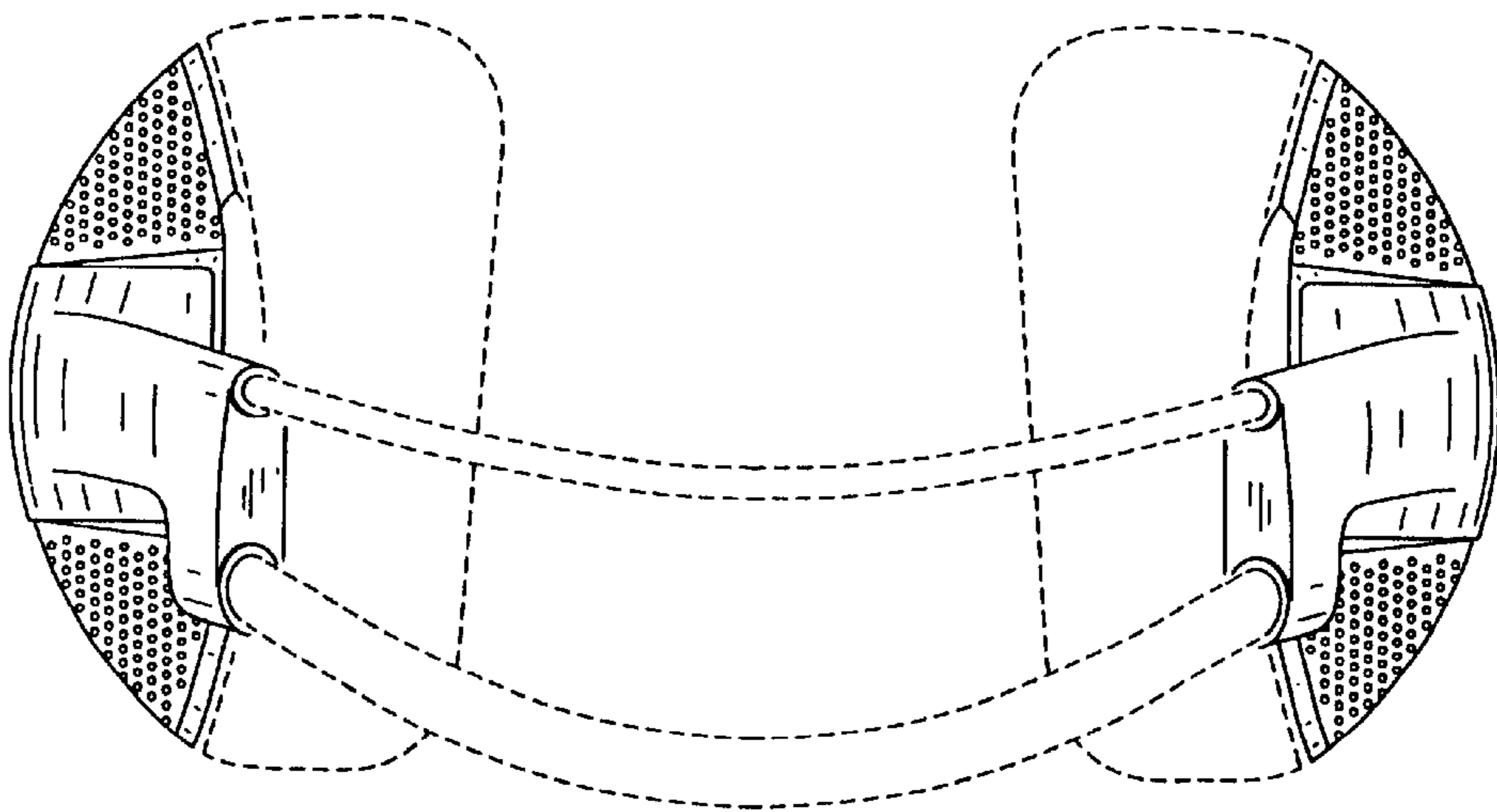


FIG. 8

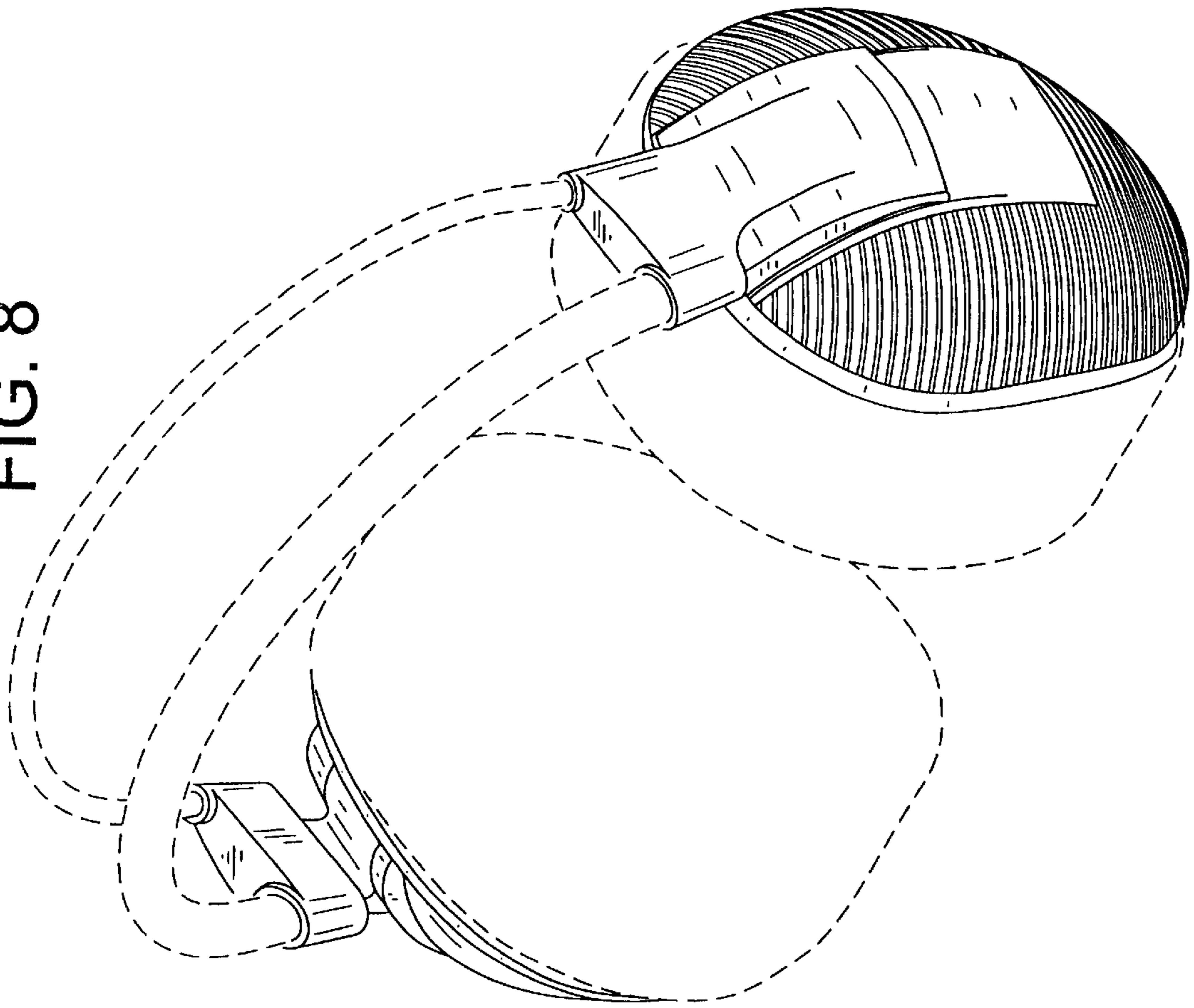


FIG. 10

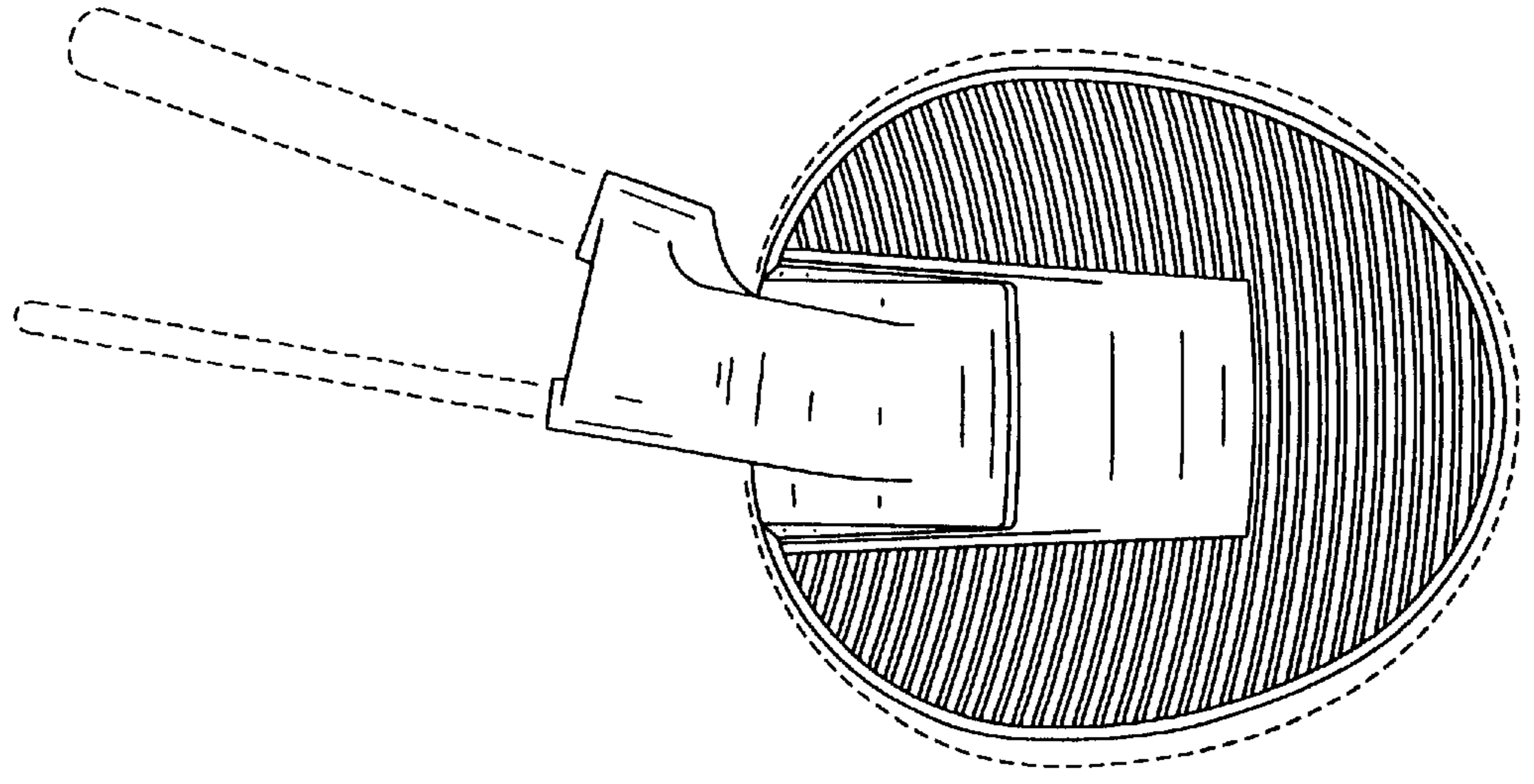


FIG. 9

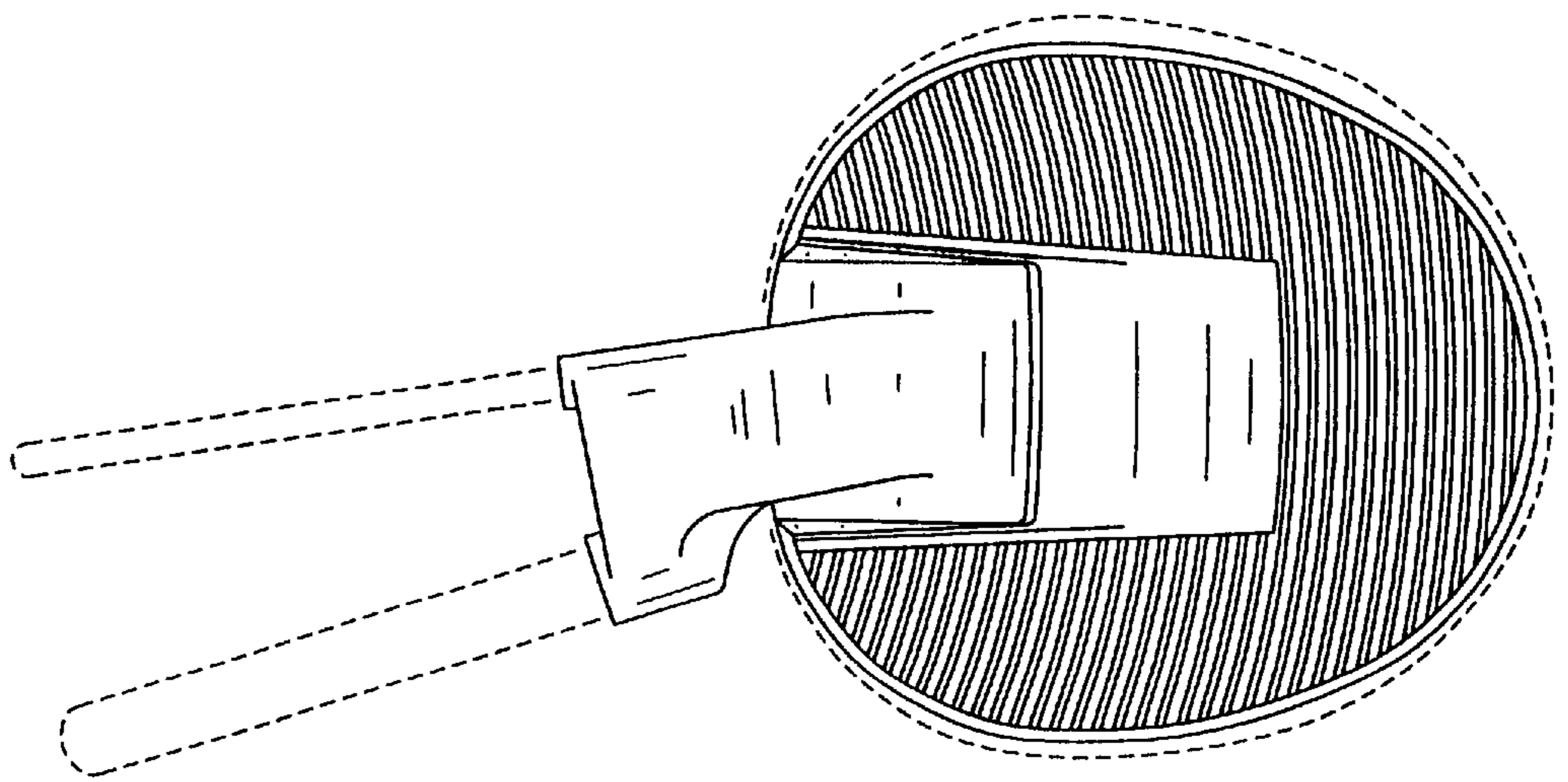


FIG. 12

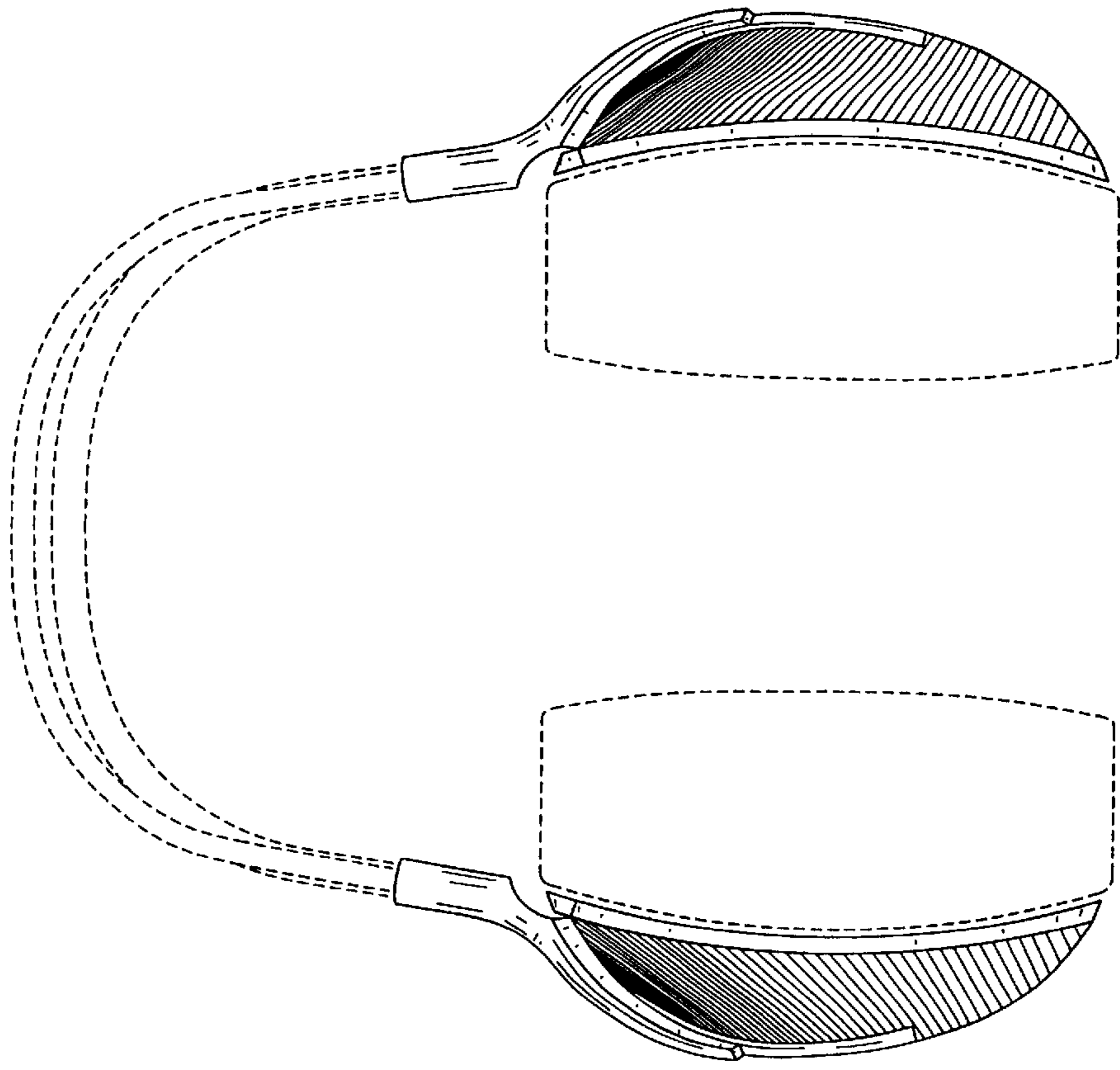


FIG. 11

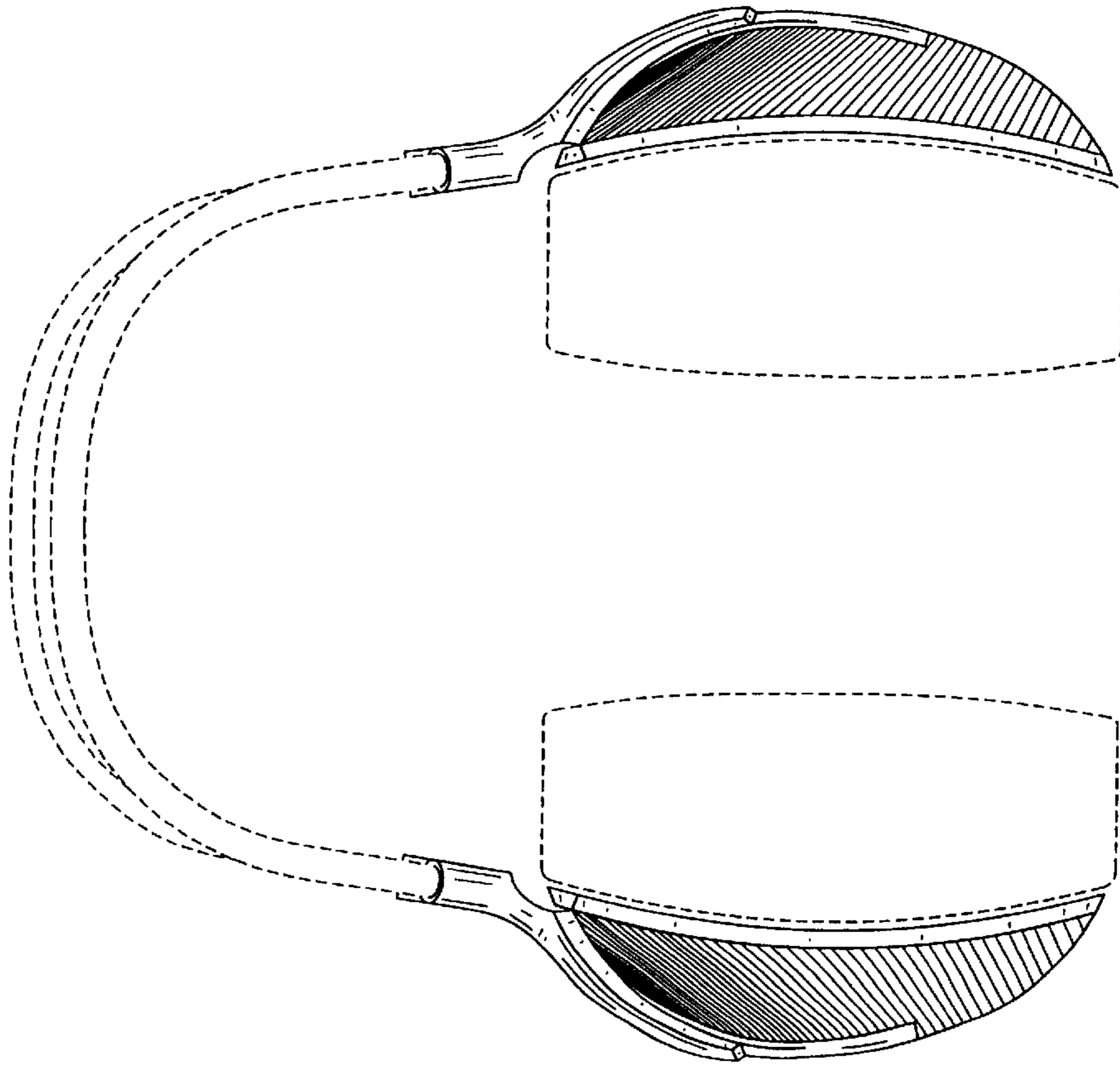




FIG. 14

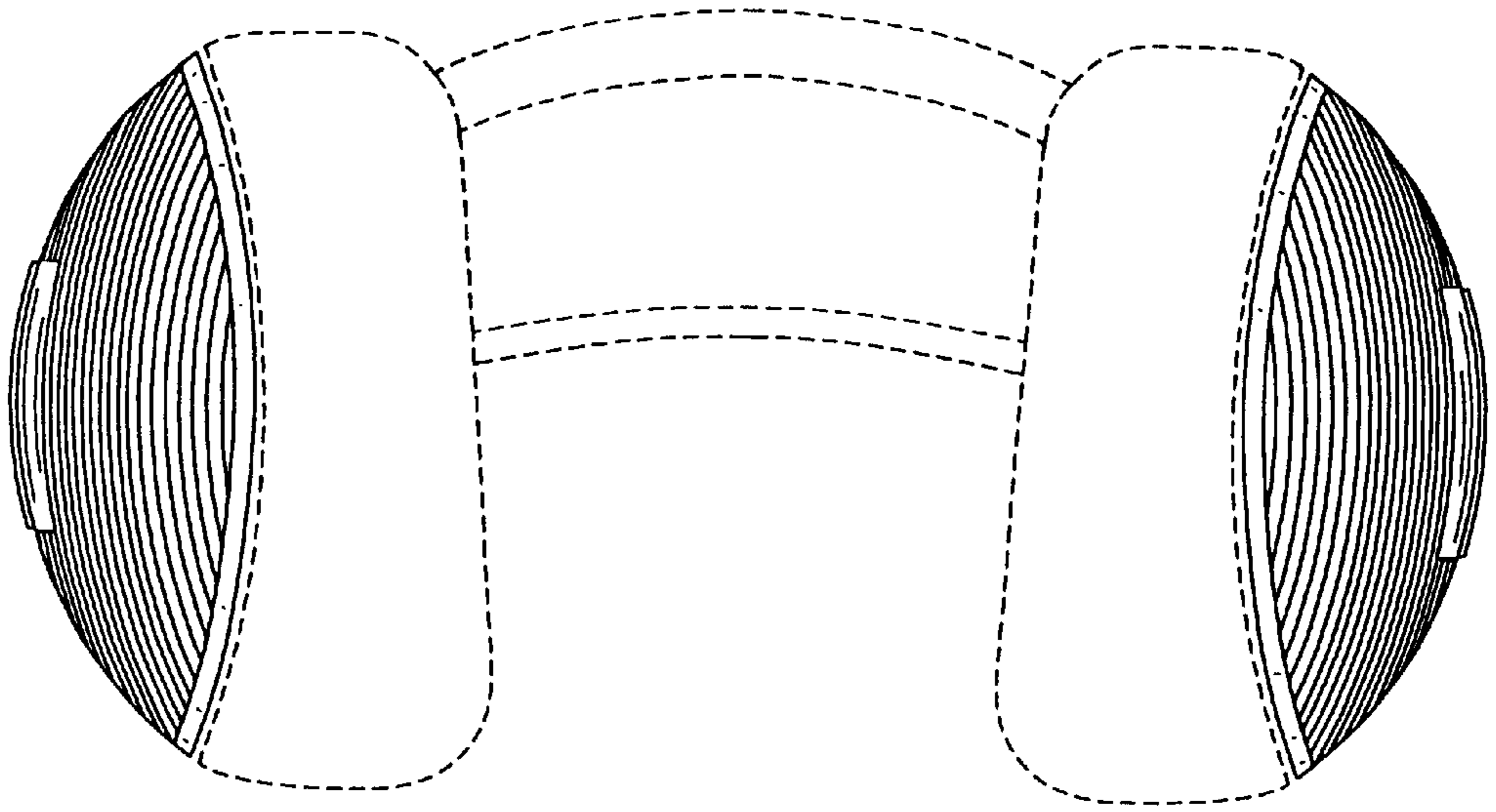


FIG. 13

