



US00D452491B1

(12) **United States Design Patent**  
**Sato**

(10) **Patent No.:** **US D452,491 S**

(45) **Date of Patent:** **\*\* Dec. 25, 2001**

(54) **HEADPHONE**

(75) Inventor: **Toshiaki Sato**, Tokyo (JP)

(73) Assignee: **Sony Corporation**, Tokyo (JP)

(\*\*) Term: **14 Years**

(21) Appl. No.: **29/138,070**

(22) Filed: **Mar. 7, 2001**

(51) **LOC (7) Cl.** ..... **14-01**

(52) **U.S. Cl.** ..... **D14/223; D14/205**

(58) **Field of Search** ..... D14/147, 192,  
D14/205, 206, 223, 248; 181/128-130;  
379/430, 431; 381/374, 376-379, 381

(56) **References Cited**

**U.S. PATENT DOCUMENTS**

D. 334,196	*	3/1993	Seggerman	.....	D14/205	X
D. 357,479	*	4/1995	Coomans	.....	D14/223	
D. 399,206		10/1998	Yasutomi et al.	.		
D. 410,238	*	5/1999	Sloan	.....	D14/205	
D. 427,994	*	7/2000	Pirelli	.....	D14/223	
D. 435,537		12/2000	Yuyama	.		

**OTHER PUBLICATIONS**

Catalog "Headphone", 3 sheets, Jun. 1998, Sony Corporation.

Catalog "Victor JVC, Audio and Visual Accessories", 3 sheets, Jan. 2000, Nippon Victor KK.

Catalog "94", 4 sheets, Mar. 2000, Sony Corporation.

\* cited by examiner

*Primary Examiner*—Nanda Bondade

(74) *Attorney, Agent, or Firm*—Rader, Fishman & Grauer, PLLC

(57) **CLAIM**

The ornamental design for a headphone, as shown and described.

**DESCRIPTION**

FIG. 1 is a perspective view of a headphone showing my new design;

FIG. 2 is a front elevational view thereof;

FIG. 3 is a rear elevational view thereof;

FIG. 4 is a left side elevational view thereof;

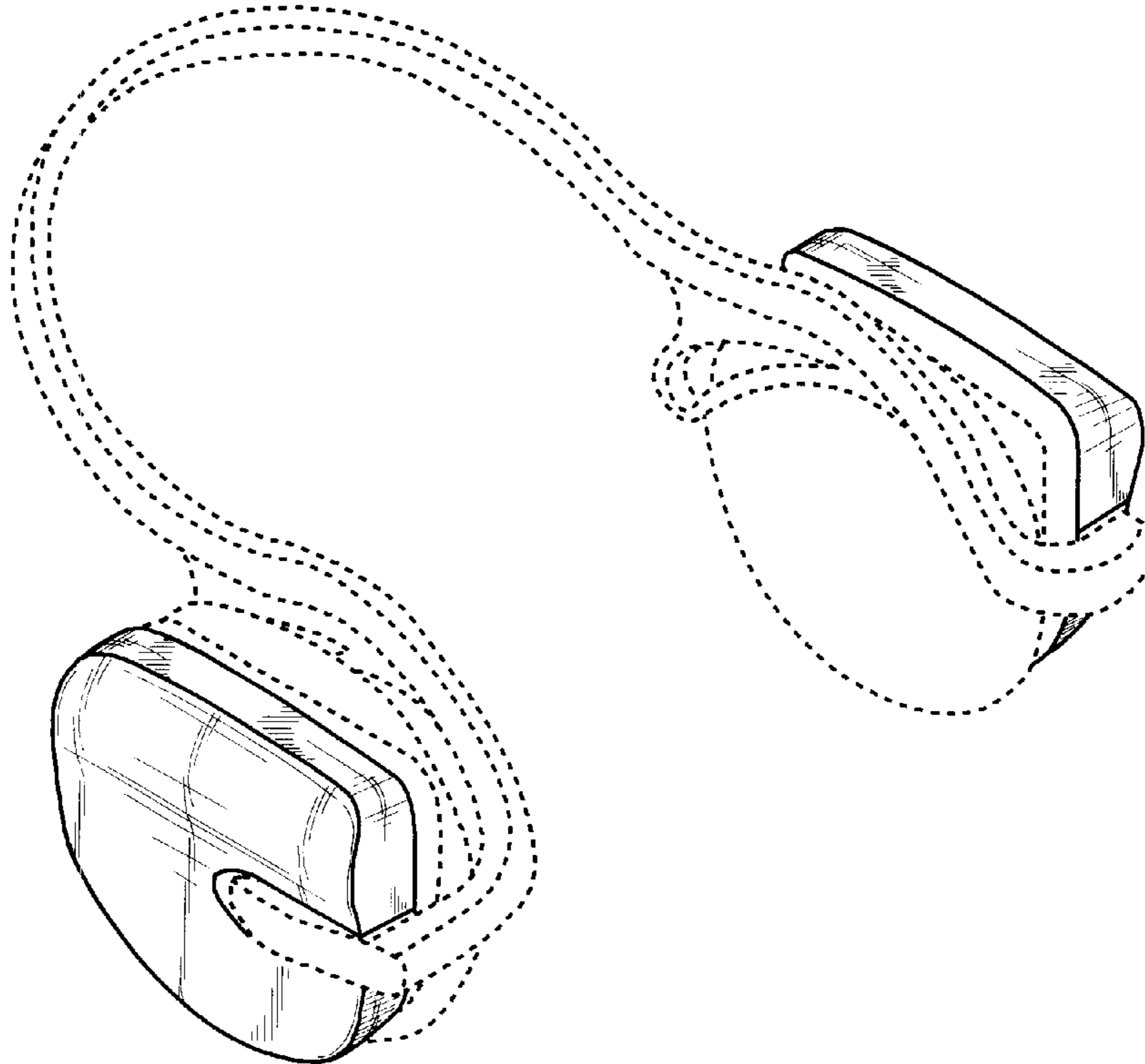
FIG. 5 is a right side elevational view thereof;

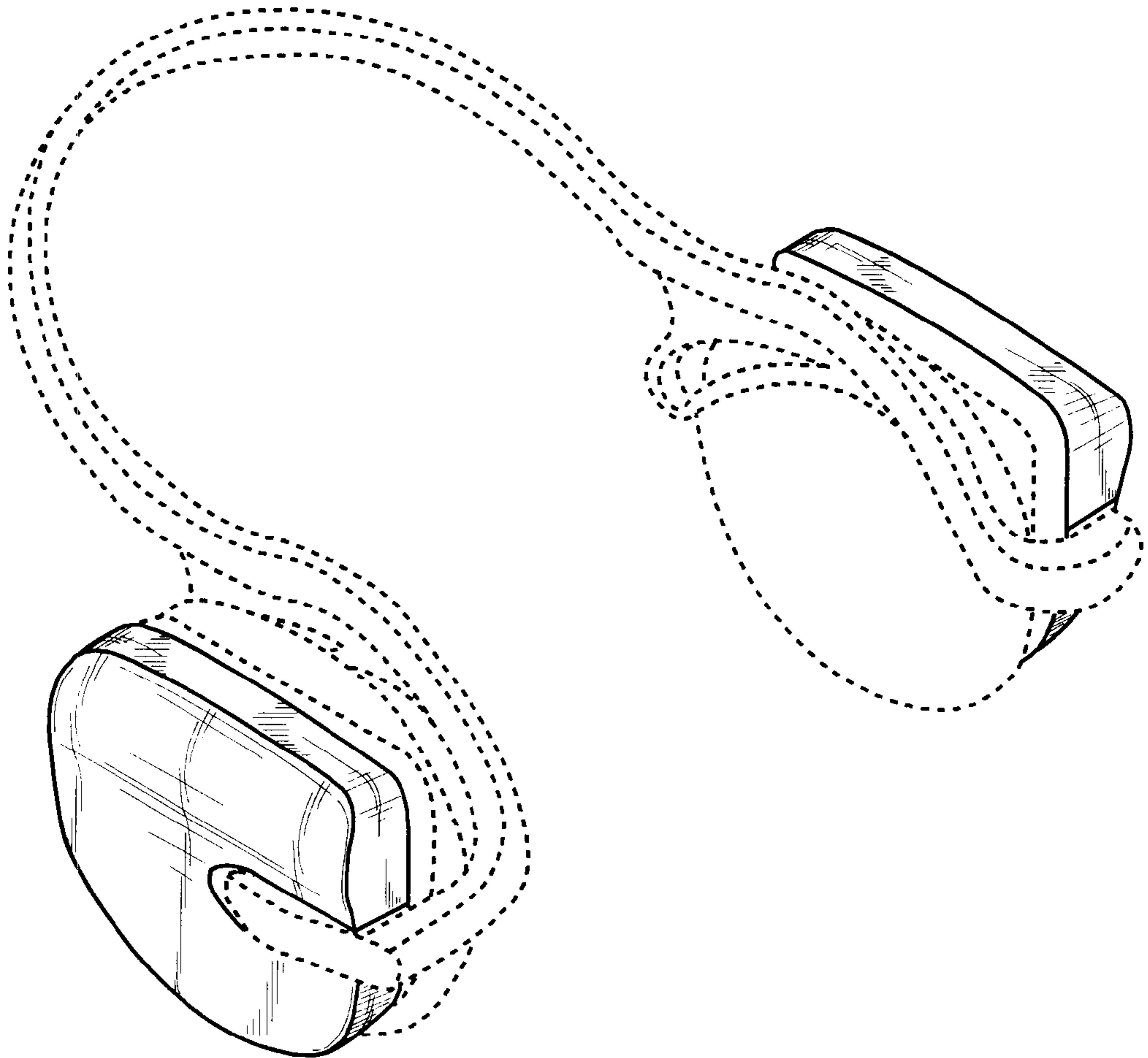
FIG. 6 is a top plan view thereof; and,

FIG. 7 is a bottom plan view thereof.

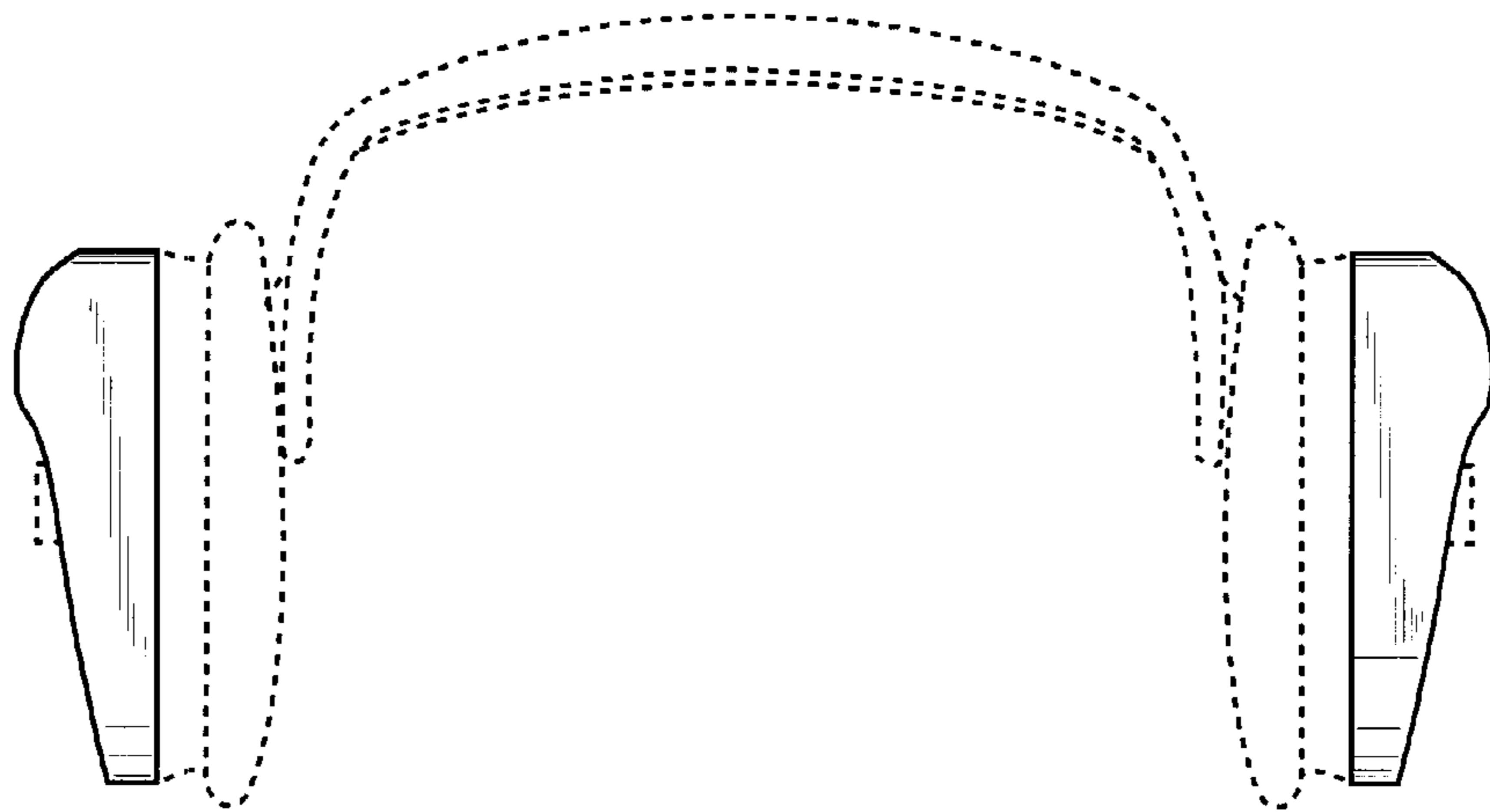
Portions in broken lines are for illustrative purposes only and forms no part of the claimed design.

**1 Claim, 4 Drawing Sheets**

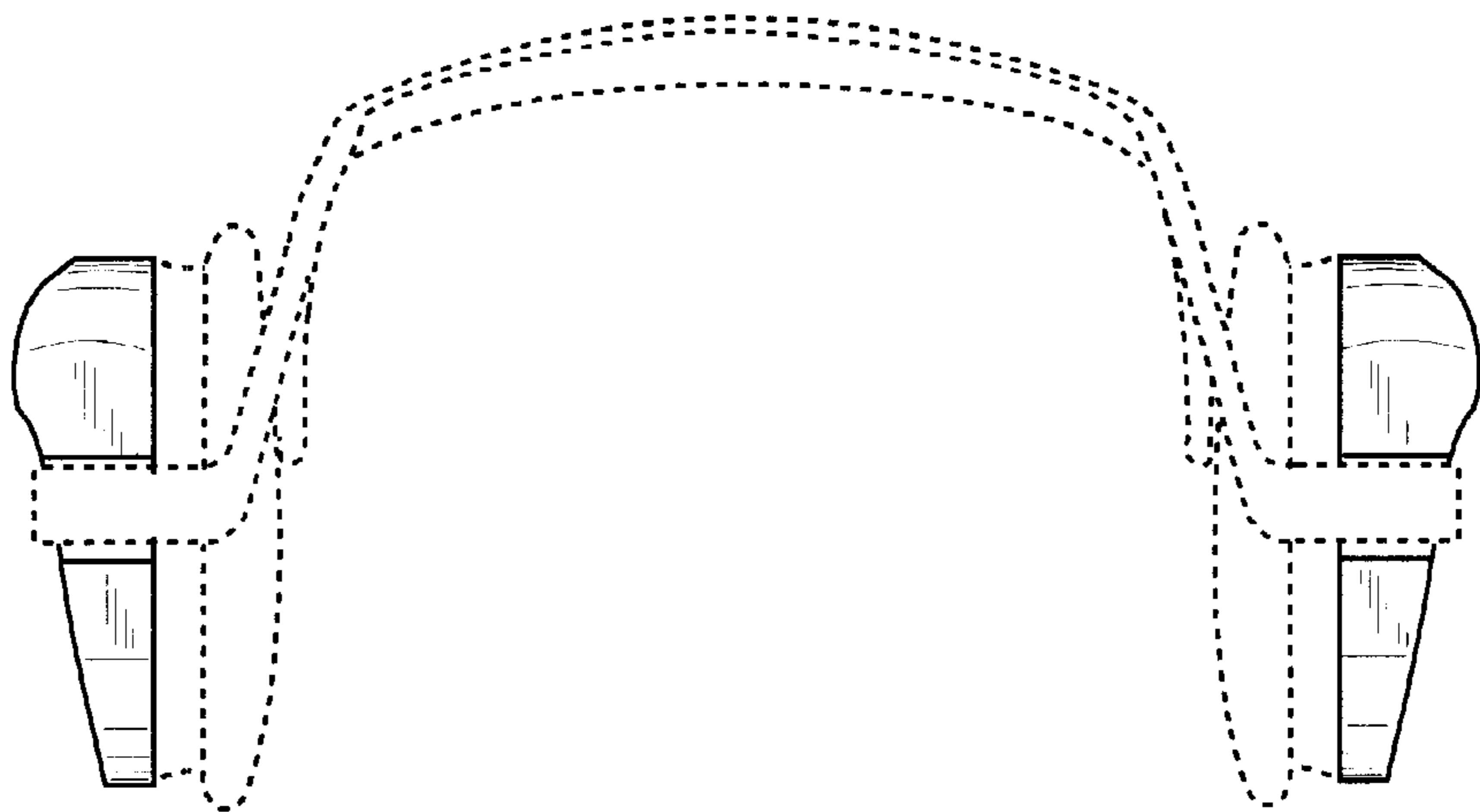




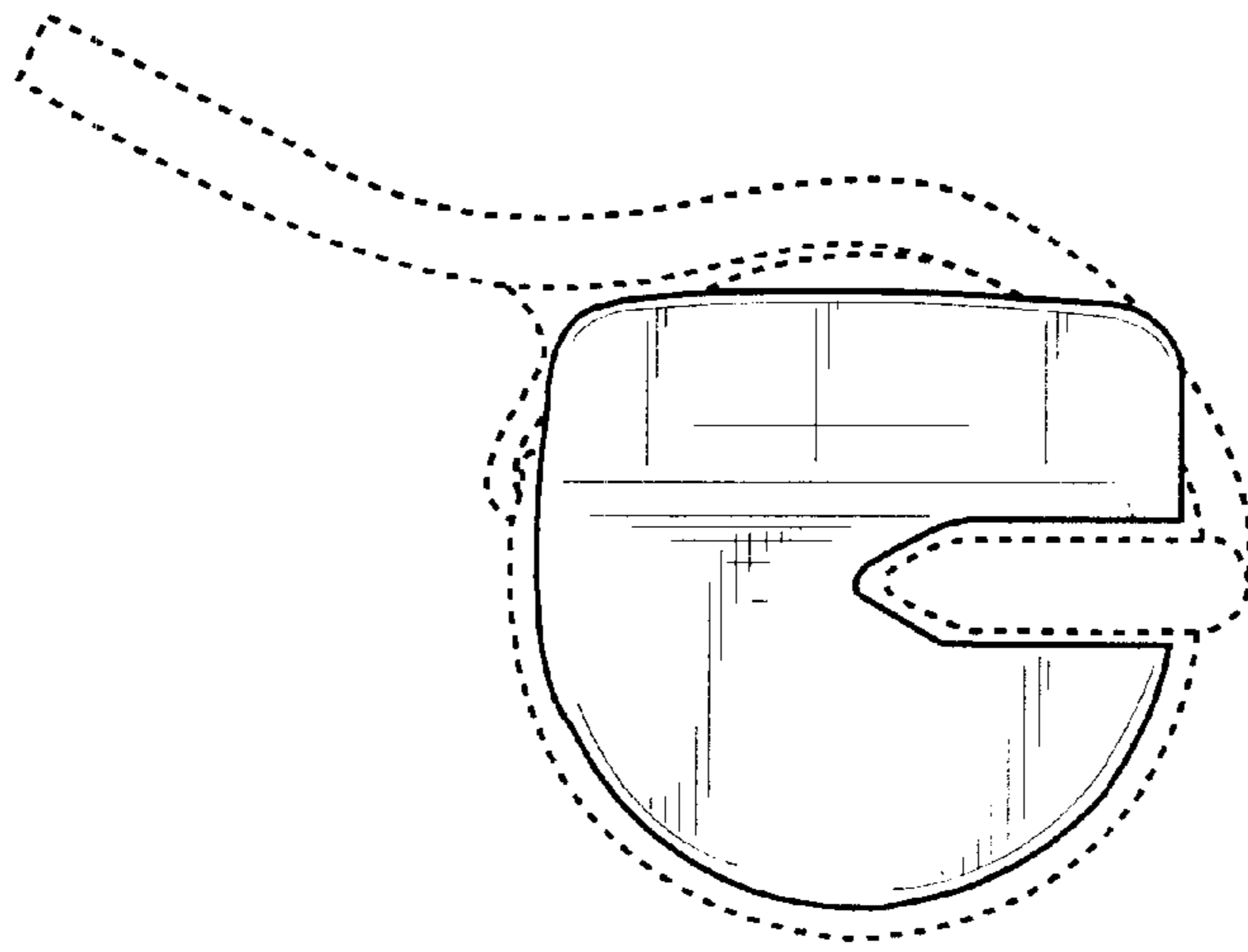
**Fig. 1**



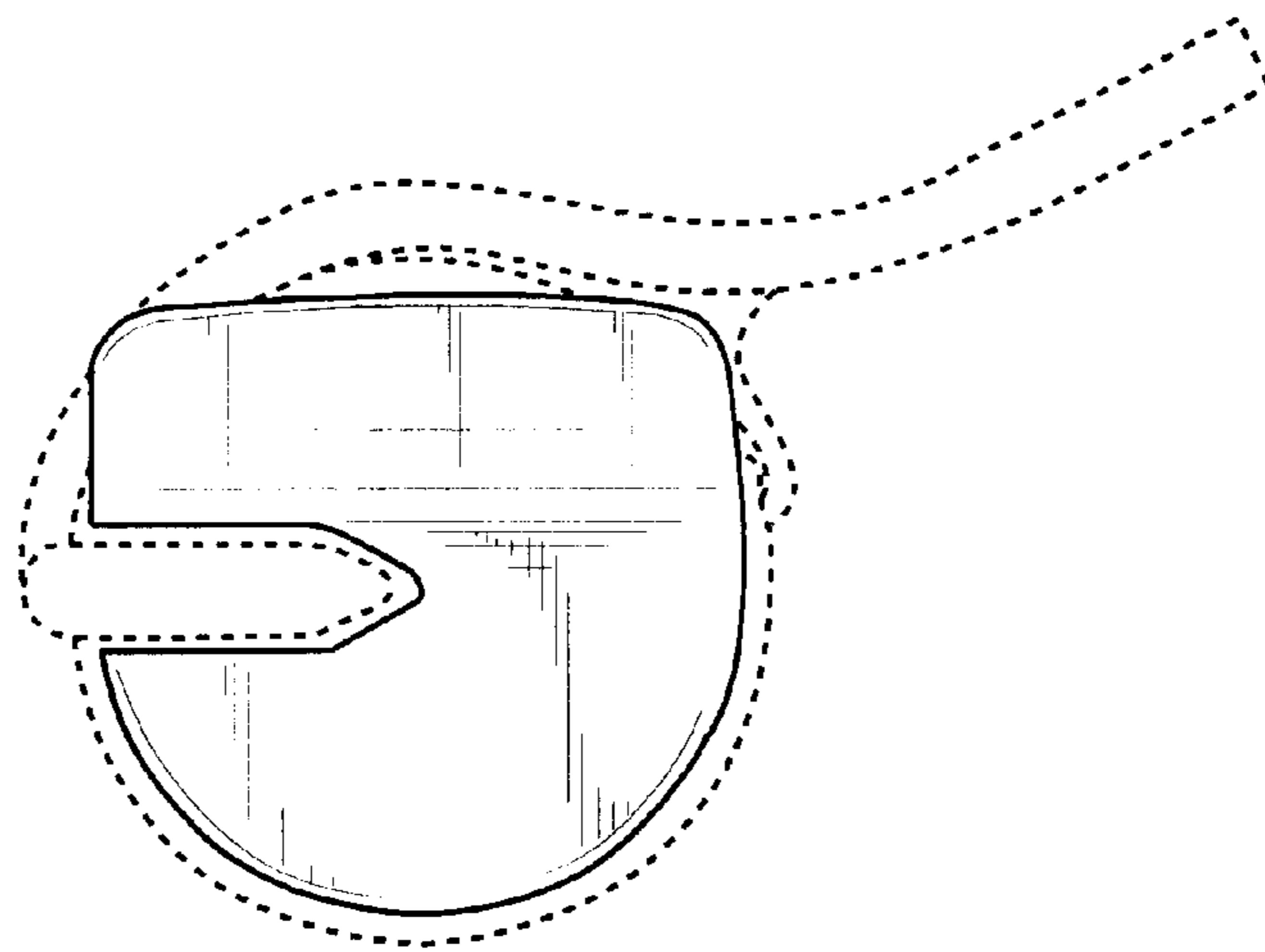
**Fig. 2**



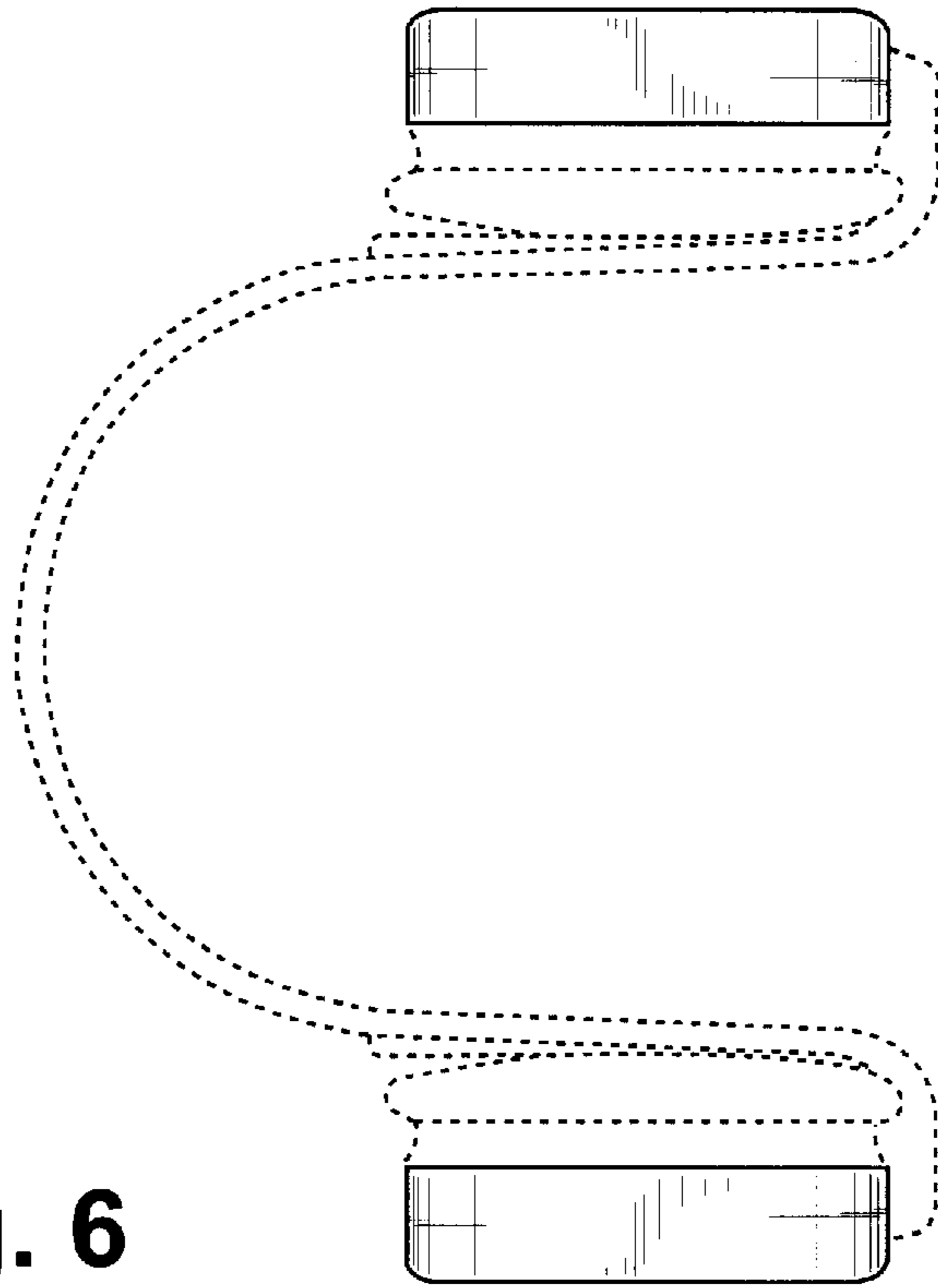
**Fig. 3**



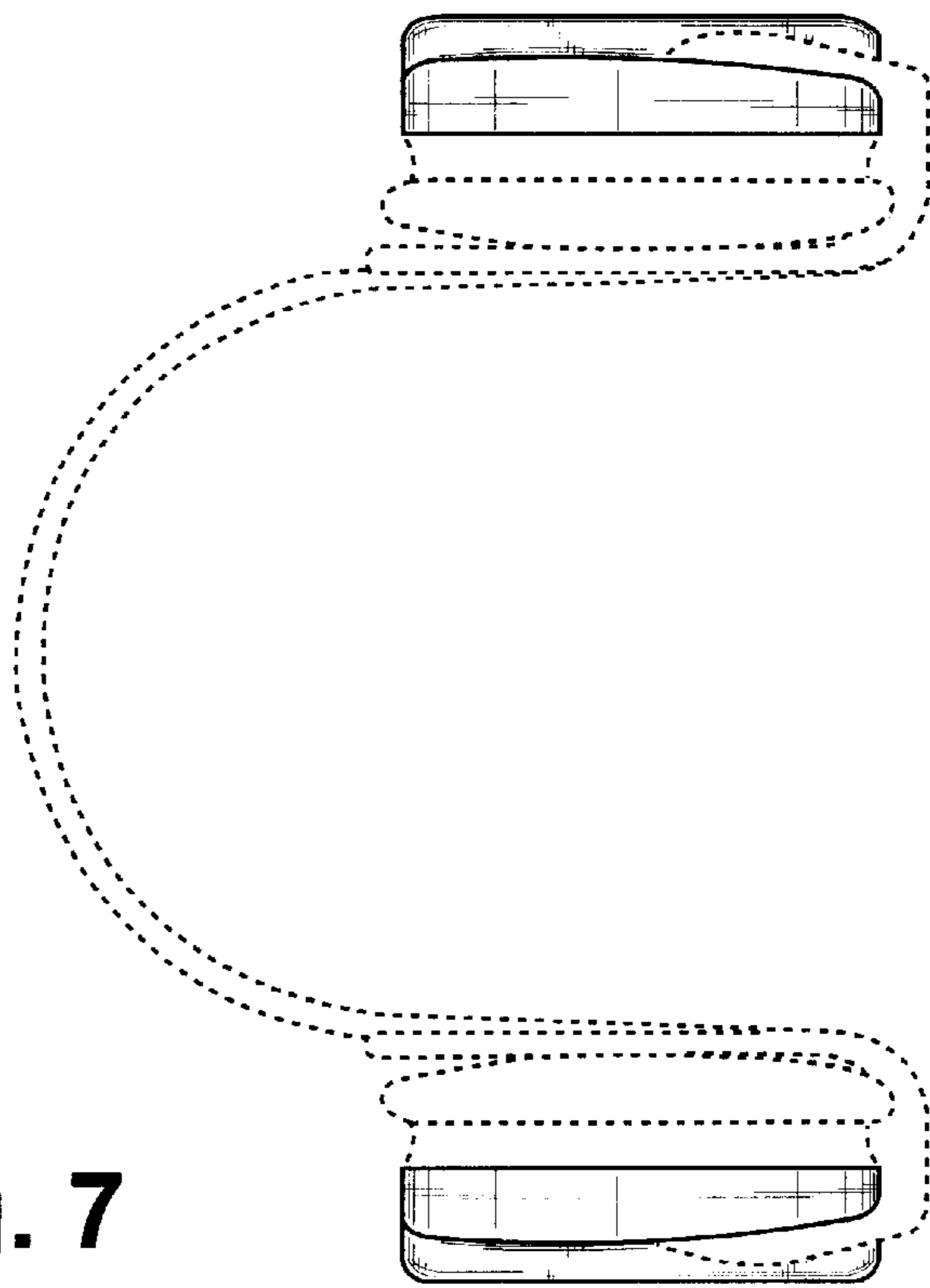
**Fig. 4**



**Fig. 5**



**Fig. 6**



**Fig. 7**