



US00D452490B1

(12) **United States Design Patent**  
**Shintani**

(10) **Patent No.:** **US D452,490 S**

(45) **Date of Patent:** **\*\* Dec. 25, 2001**

(54) **COMBINED RADIO RECEIVER AND CLOCK**

(75) Inventor: **Eiji Shintani**, Tokyo (JP)  
(73) Assignee: **Sony Corporation**, Tokyo (JP)  
(\*\*) Term: **14 Years**

(21) Appl. No.: **29/140,984**  
(22) Filed: **Apr. 30, 2001**

(51) **LOC (7) Cl.** ..... **14-01**  
(52) **U.S. Cl.** ..... **D14/171**  
(58) **Field of Search** ..... D10/1, 2, 15; D14/160-165,  
D14/167-168, 170-171, 188, 192-198;  
455/344, 345, 347-358

(56) **References Cited**

**U.S. PATENT DOCUMENTS**

D. 228,247	*	8/1973	Ohta et al.	.....	D14/171
D. 258,820	*	4/1981	Hamada	.....	D14/171
D. 266,422	*	10/1982	Yip	.....	D14/171
D. 293,557	*	1/1988	Bartholoman et al.	.....	D10/15 X
D. 435,536		12/2000	Ishibashi	.	

**OTHER PUBLICATIONS**

Catalog, "Portable Audio," (3 sheets) Sony (1996/1997).  
Catalog, "In-Side," No. 11 (3 sheets), Sony (1999/2000).

\* cited by examiner

*Primary Examiner*—Nanda Bondade

(74) *Attorney, Agent, or Firm*—Rader, Fishman & Grauer, PLLC

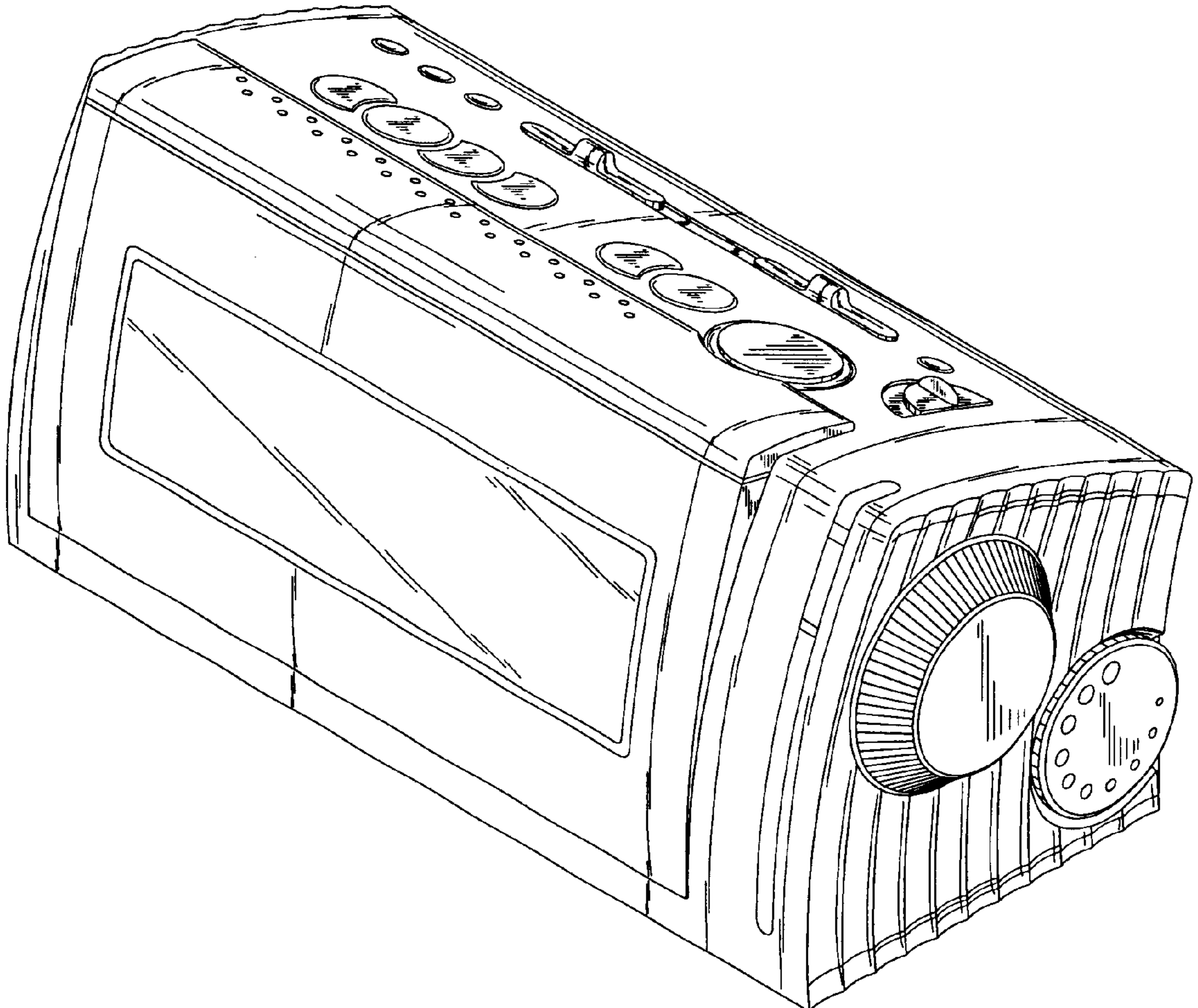
(57) **CLAIM**

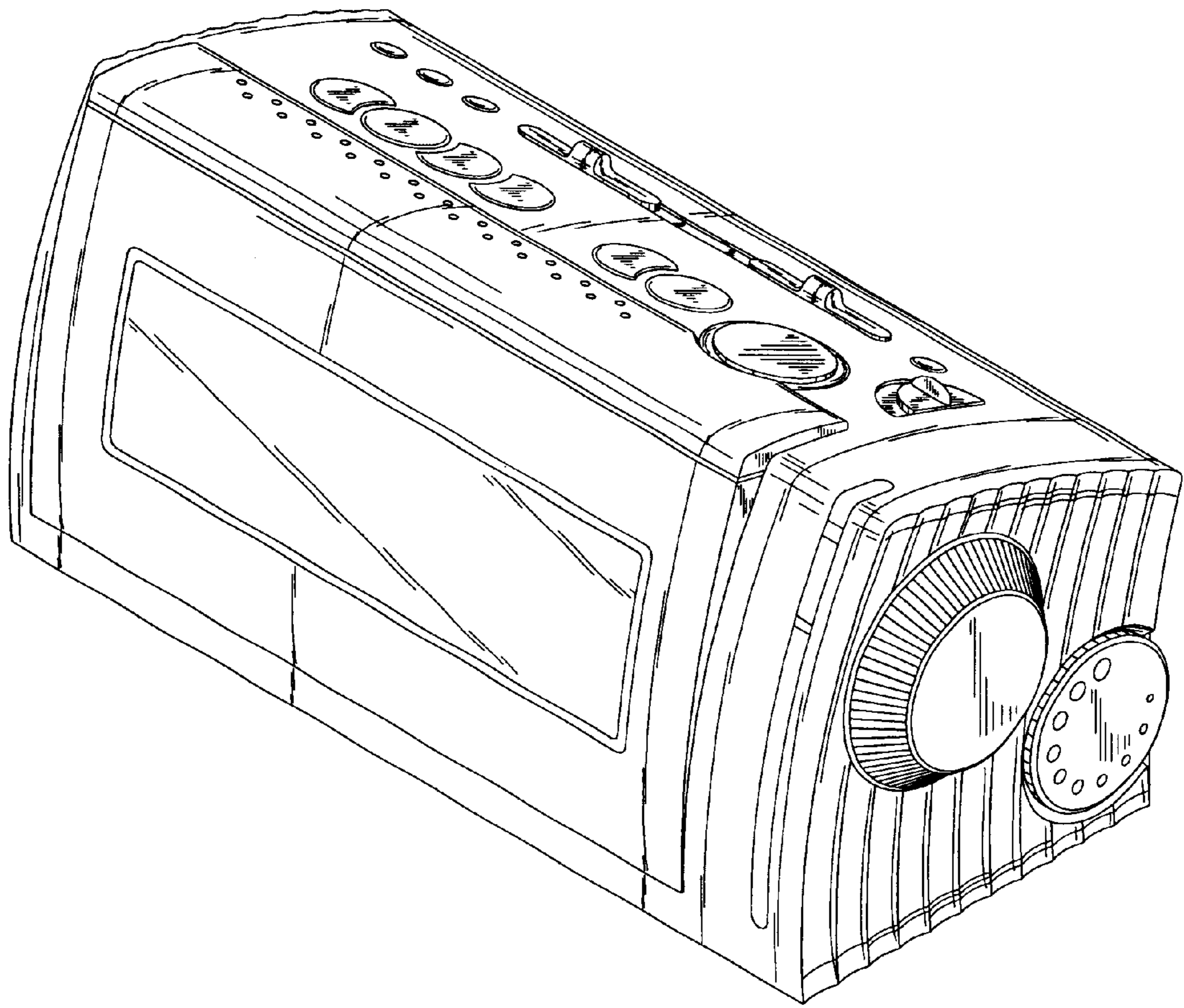
The ornamental design for a combined radio receiver and clock, as shown and described.

**DESCRIPTION**

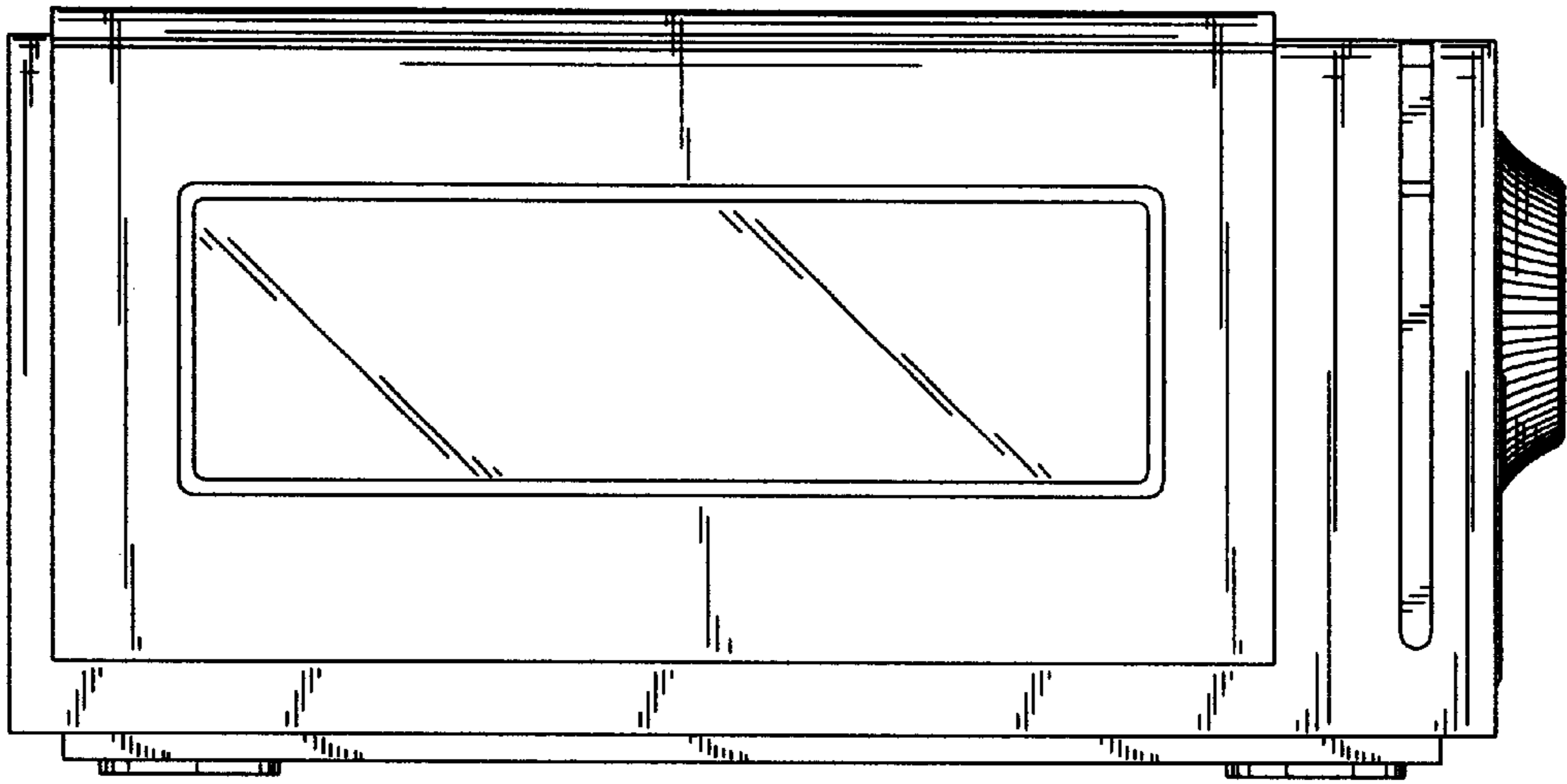
FIG. 1 is a perspective view of a combined radio receiver and clock showing my new design;  
FIG. 2 is a front elevational view thereof;  
FIG. 3 is a rear elevational view thereof;  
FIG. 4 is a left side elevational view thereof;  
FIG. 5 is a right side elevational view thereof;  
FIG. 6 is a top plan view thereof; and,  
FIG. 7 is a bottom plan view thereof.

**1 Claim, 4 Drawing Sheets**

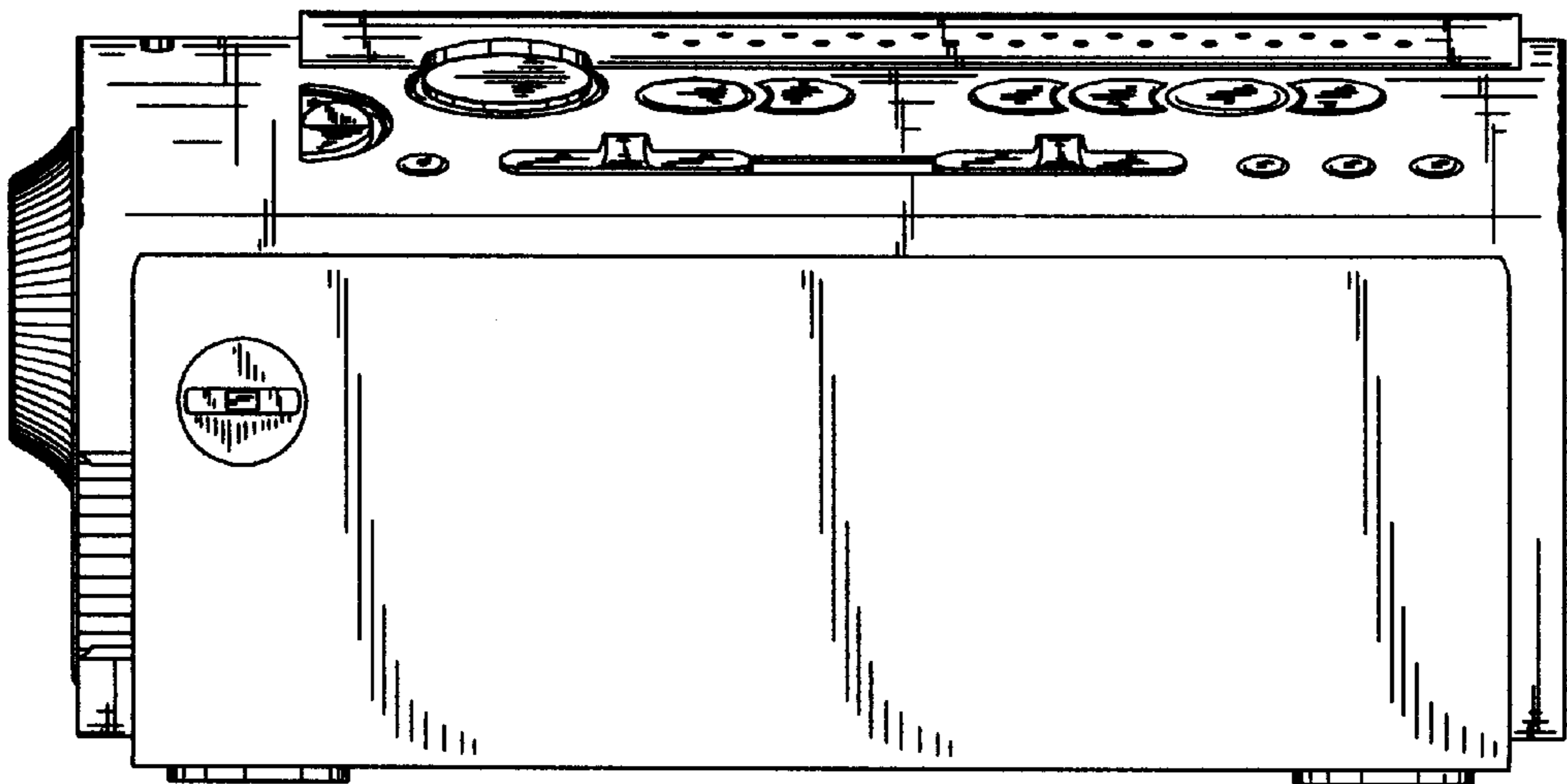




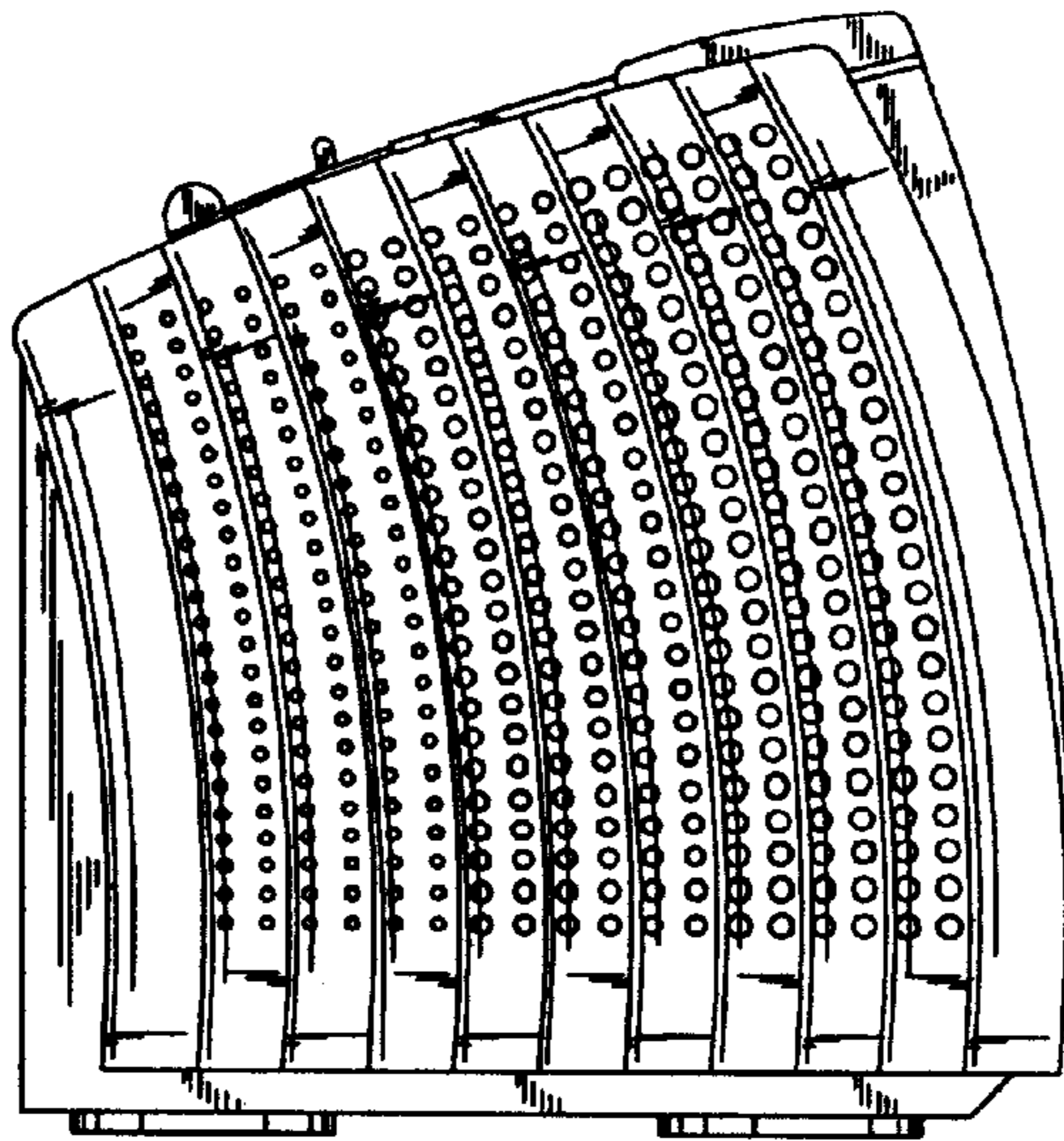
**Fig. 1**



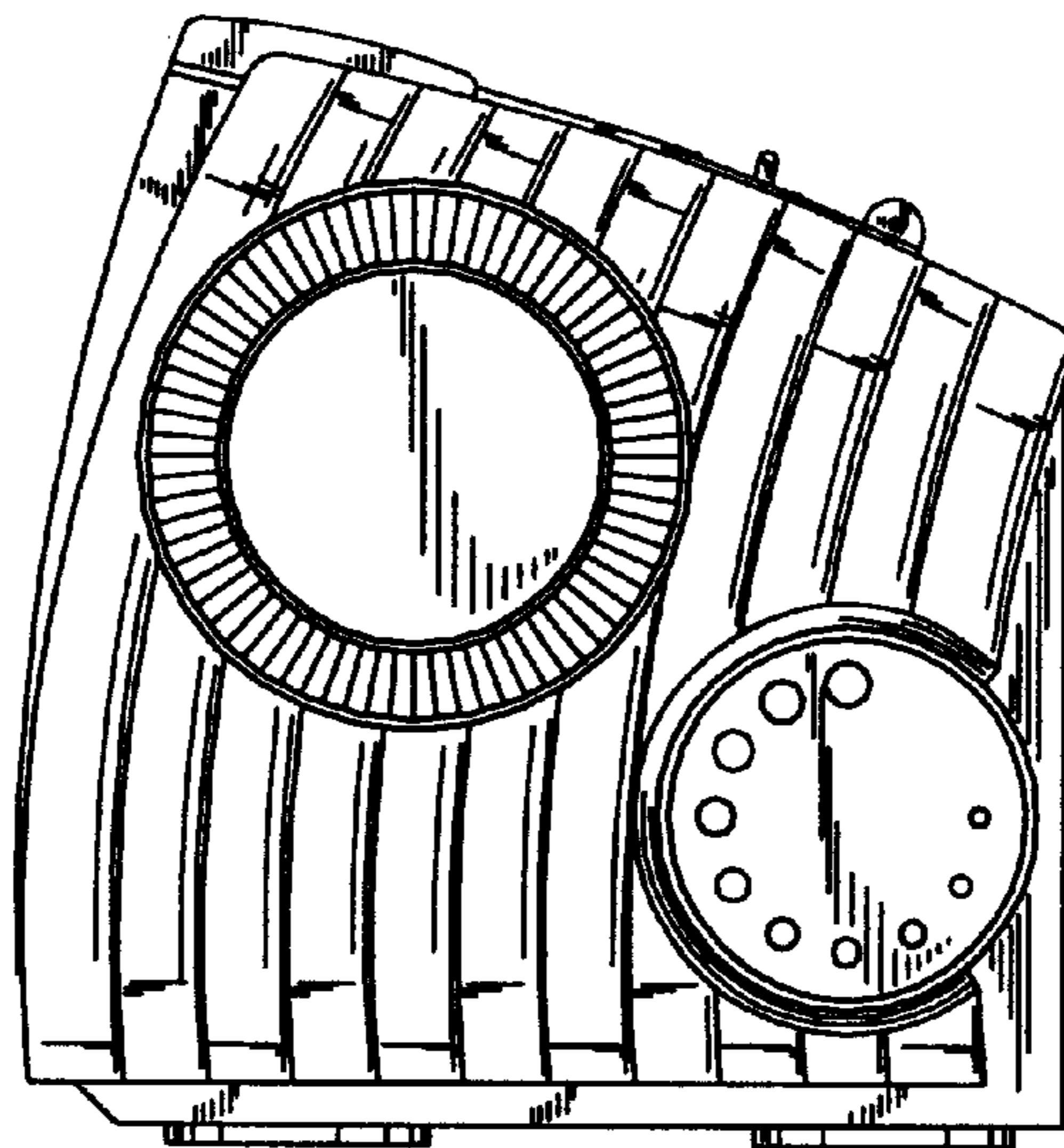
**Fig. 2**



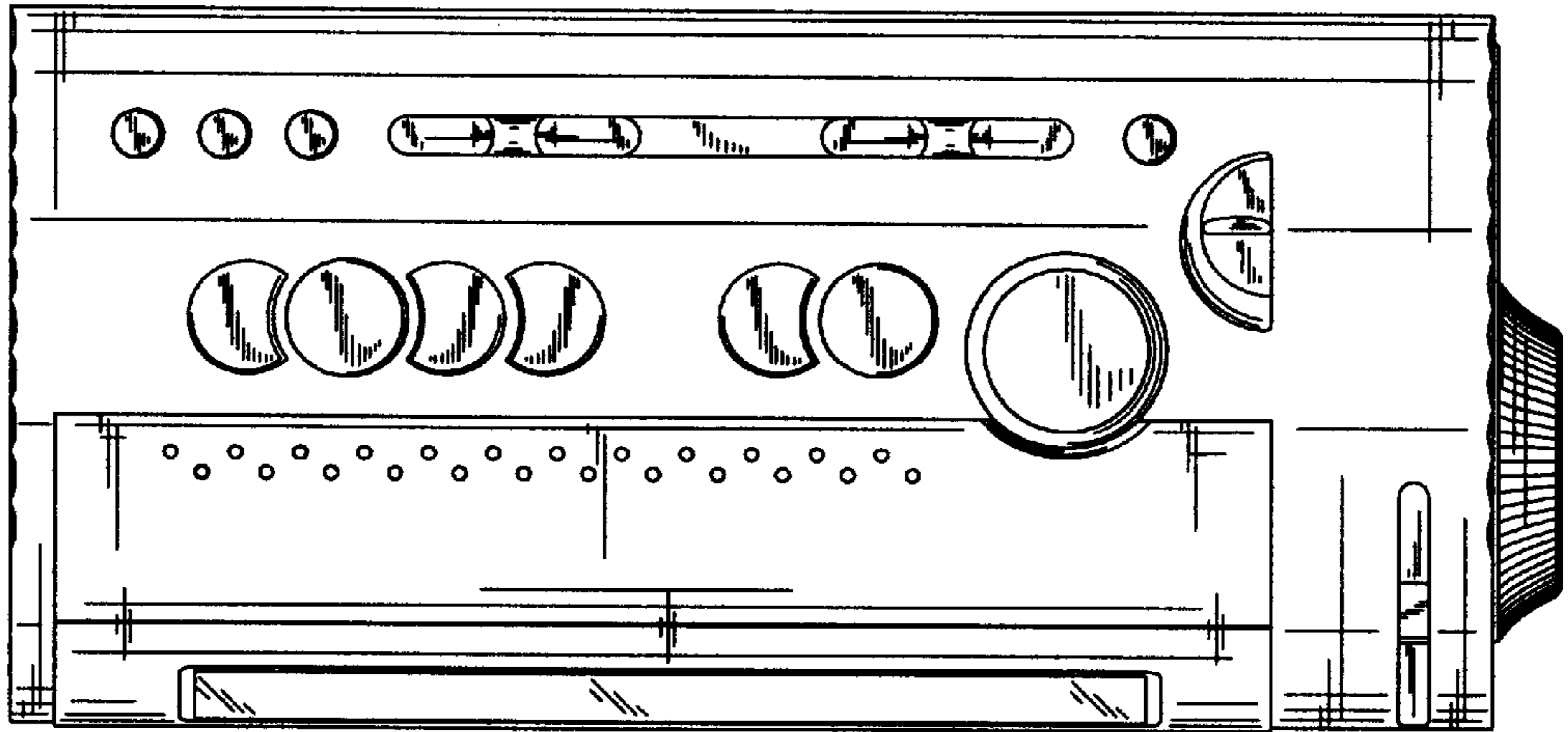
**Fig. 3**



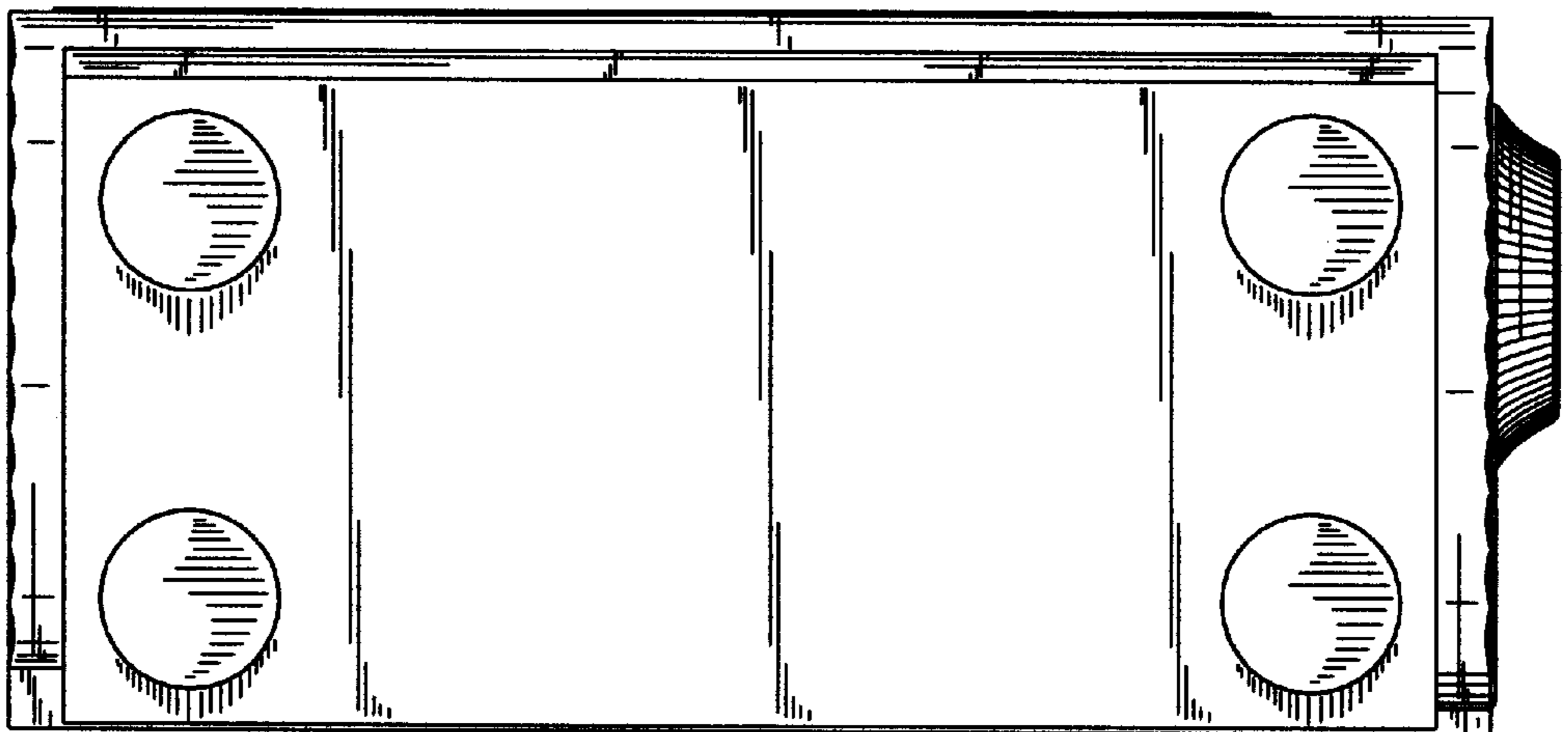
**Fig. 4**



**Fig. 5**



**Fig. 6**



**Fig. 7**