



US00D452488B1

(12) **United States Design Patent**
Ogasawara

(10) **Patent No.:** **US D452,488 S**

(45) **Date of Patent:** **** Dec. 25, 2001**

(54) **RECORDER**

4,633,323 * 12/1986 Haberkern et al. 348/838

(75) Inventor: **Shinichi Ogasawara**, Tokyo (JP)

OTHER PUBLICATIONS

(73) Assignee: **Sony Corporation**, Tokyo (JP)

Sony Catalog "86", p. 212, (Jul. 1997).

(**) Term: **14 Years**

* cited by examiner

(21) Appl. No.: **29/086,704**

Primary Examiner—Ted Shooman

(22) Filed: **Apr. 17, 1998**

Assistant Examiner—C Tuttle

(30) **Foreign Application Priority Data**

(74) *Attorney, Agent, or Firm*—Rader, Fishman & Grauer, PLLC

Oct. 17, 1997 (JP) 9-71589

(51) **LOC (7) Cl.** **14-01**

(52) **U.S. Cl.** **D14/136; D14/167**

(58) **Field of Search** D14/496, 125,
D14/135, 136, 126, 129, 132, 141, 154,
156, 160, 167; 369/75.1, 77.1, 77.2; 455/344-349;
348/838

(57) **CLAIM**

The ornamental design for a recorder, as shown and described.

(56) **References Cited**

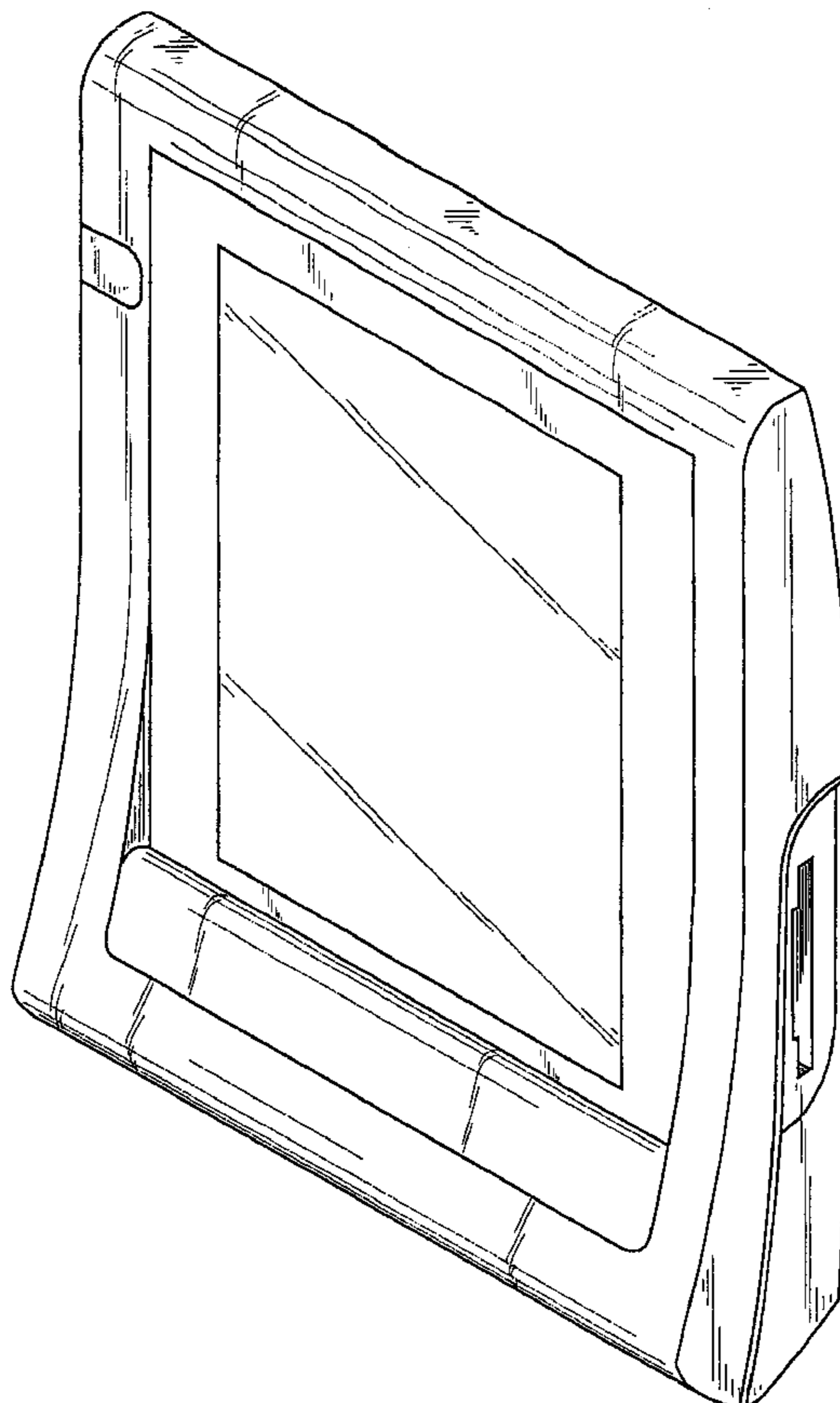
DESCRIPTION

U.S. PATENT DOCUMENTS

- D. 163,206 * 5/1951 Klotz, Jr. D14/239
- D. 320,793 * 10/1991 Wingate D14/167
- D. 359,488 * 6/1995 Hui D14/141
- D. 385,872 * 11/1997 Nakamura D14/136
- D. 402,979 * 12/1998 Ogasawara D14/136

FIG. 1 is a perspective view of a recorder showing my new design;
 FIG. 2 is a top plan view thereof;
 FIG. 3 is a left side elevational view thereof;
 FIG. 4 is a front elevational view thereof;
 FIG. 5 is a bottom plan view thereof;
 FIG. 6 is a right side elevational view thereof; and,
 FIG. 7 is a rear elevational view thereof.
 Portions in broken lines are for illustrative purposes only and form no part of the claimed design.

1 Claim, 6 Drawing Sheets



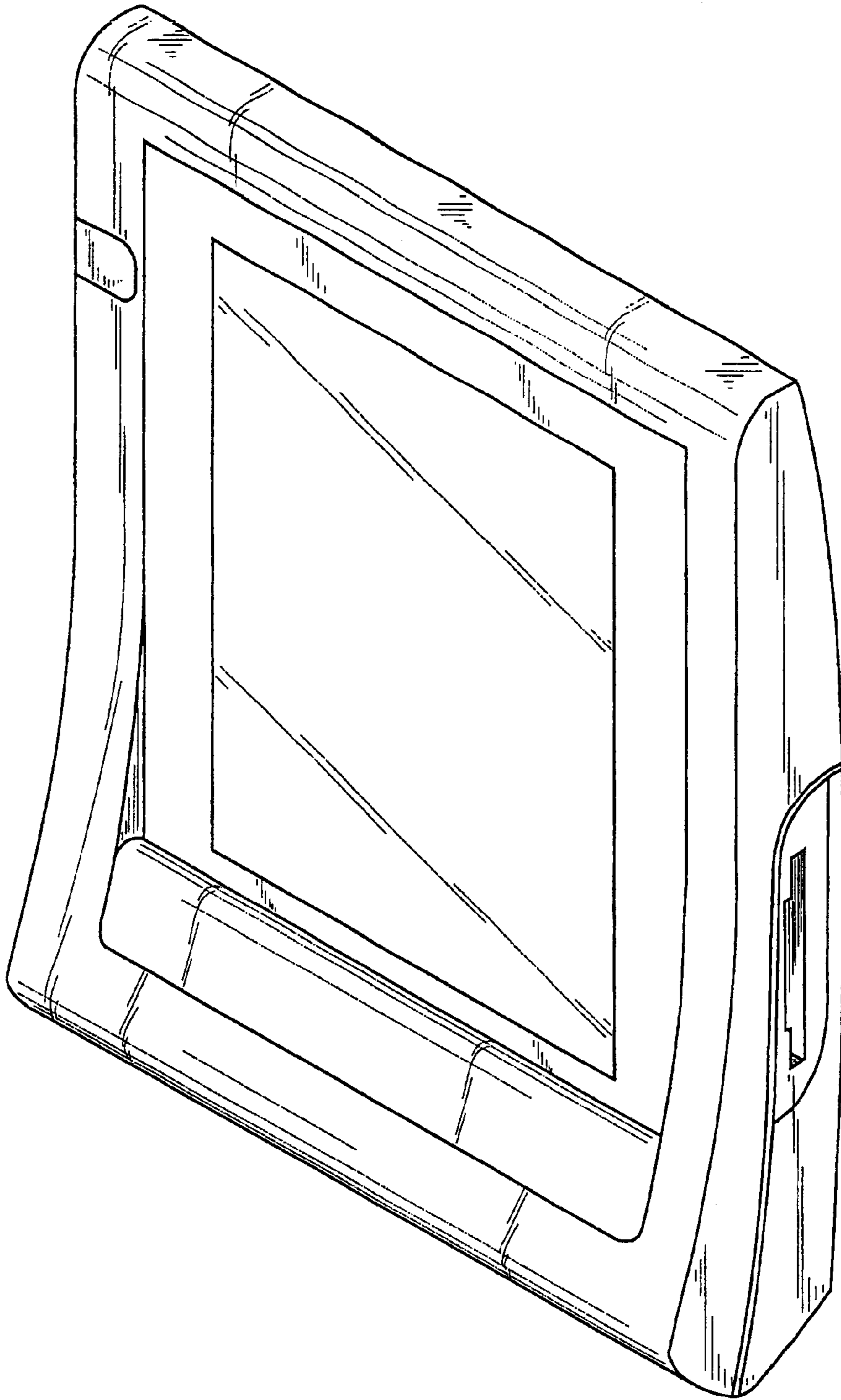


FIG. 1

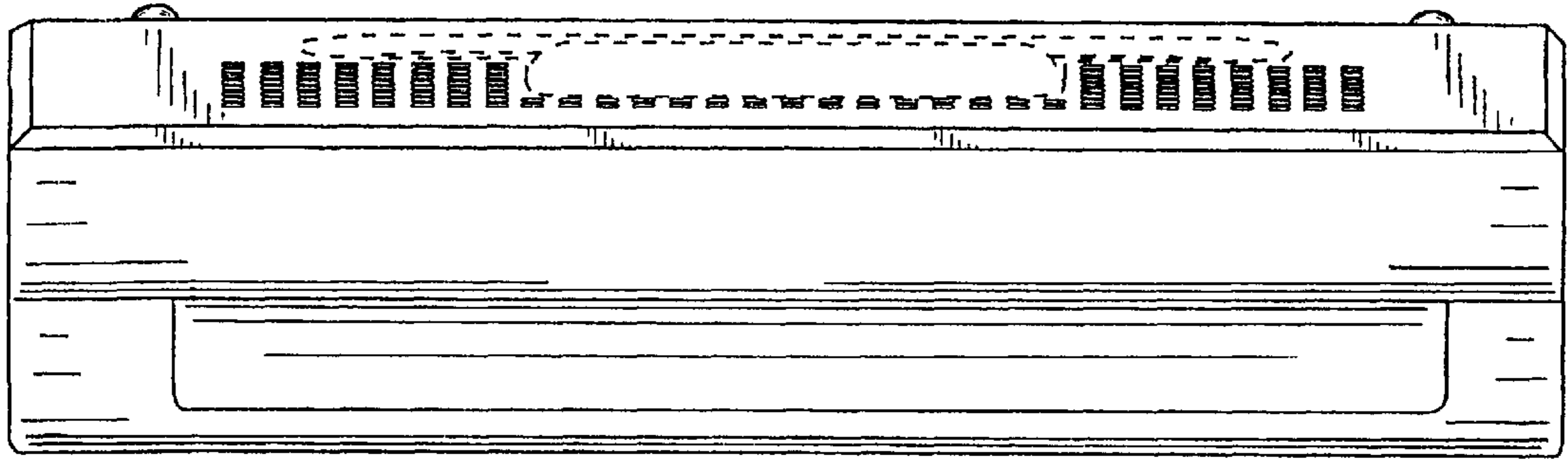


Fig. 2

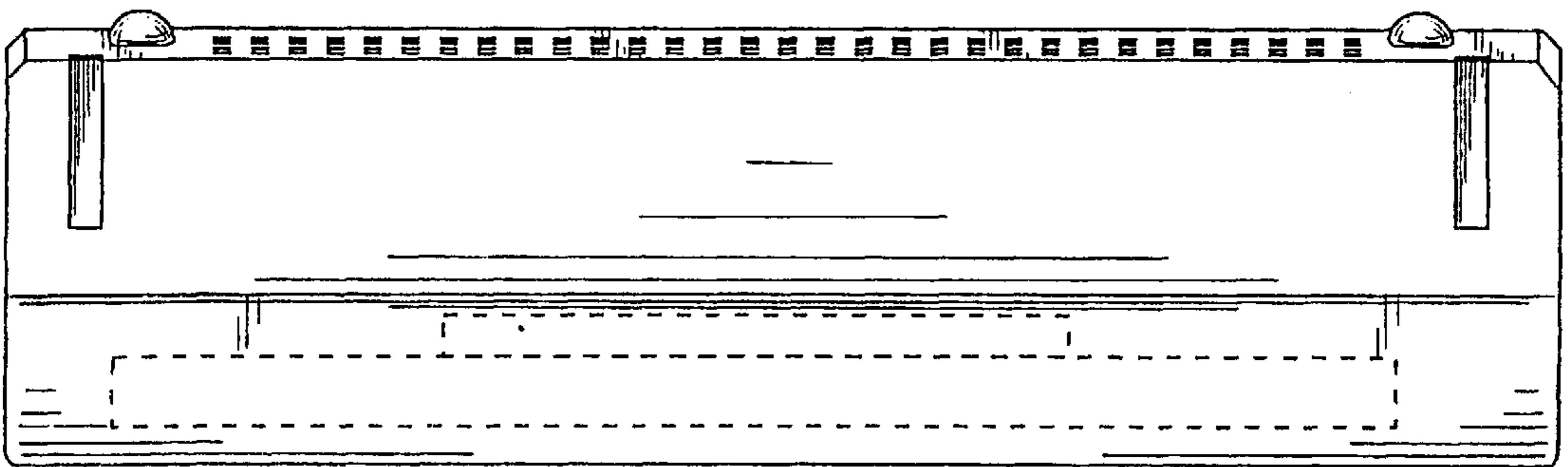


Fig. 5

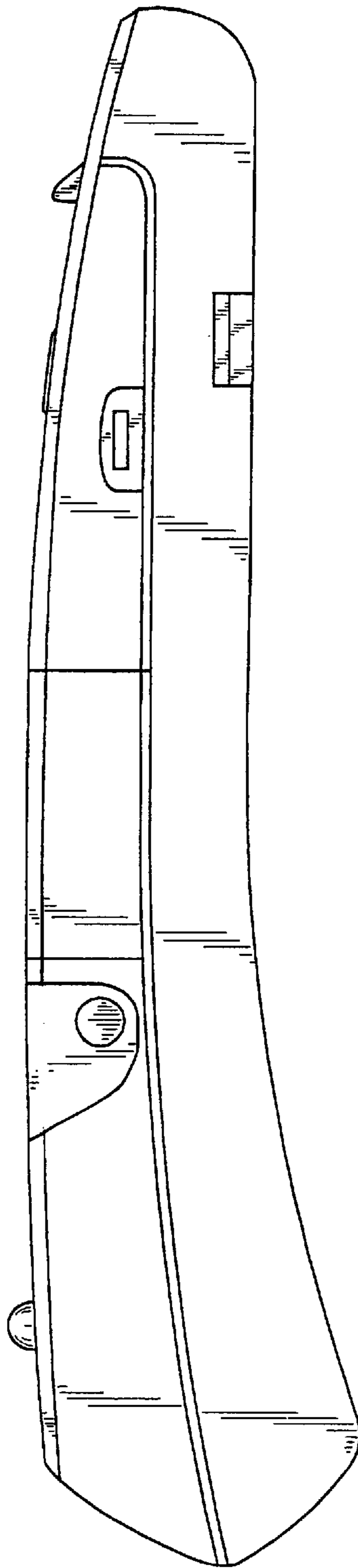


FIG. 3

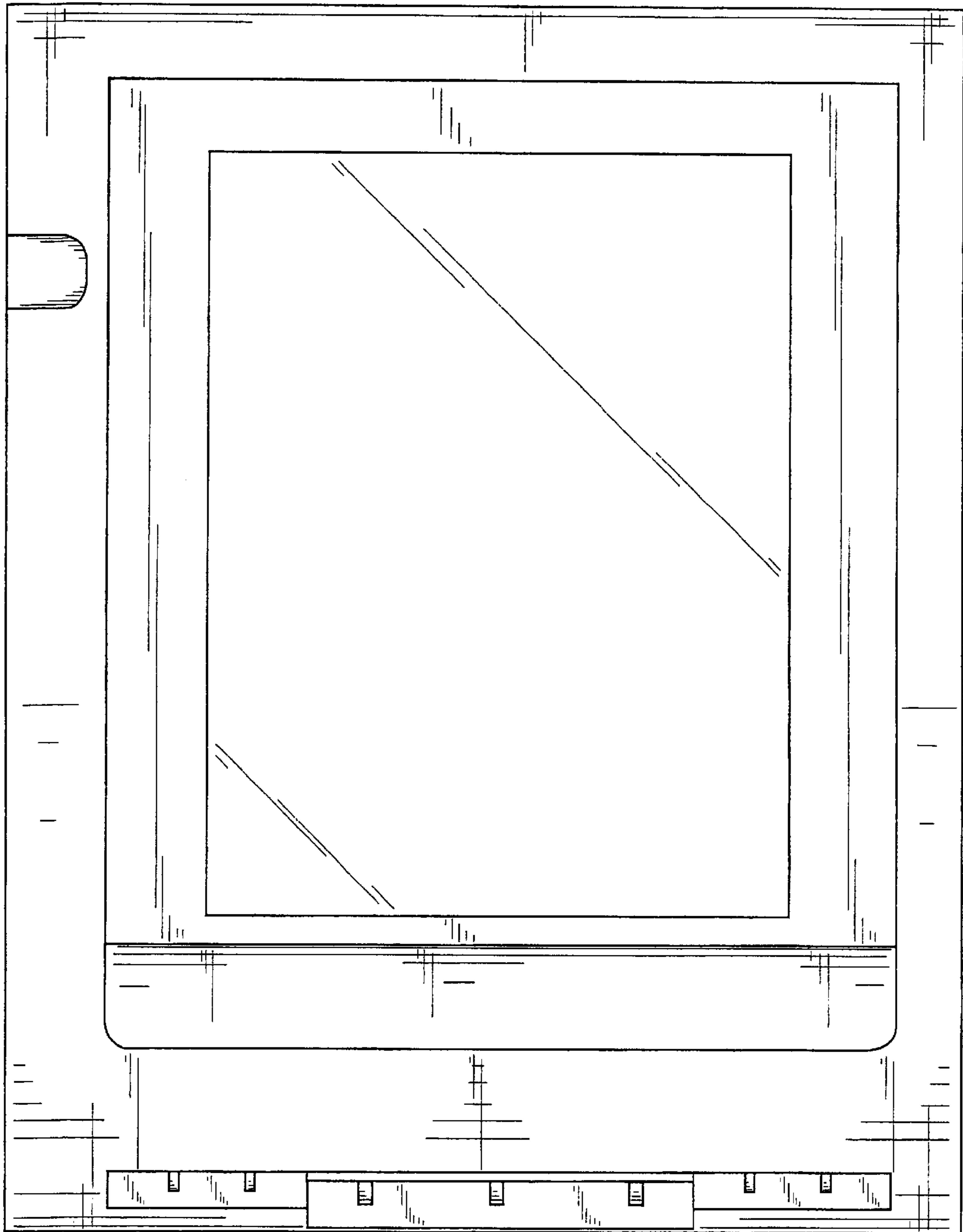


FIG. 4

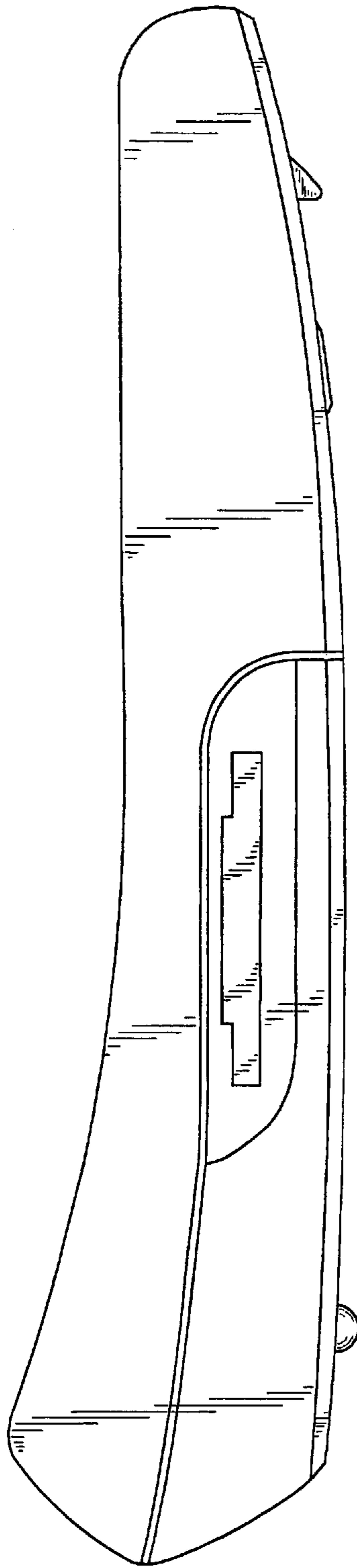


FIG. 6

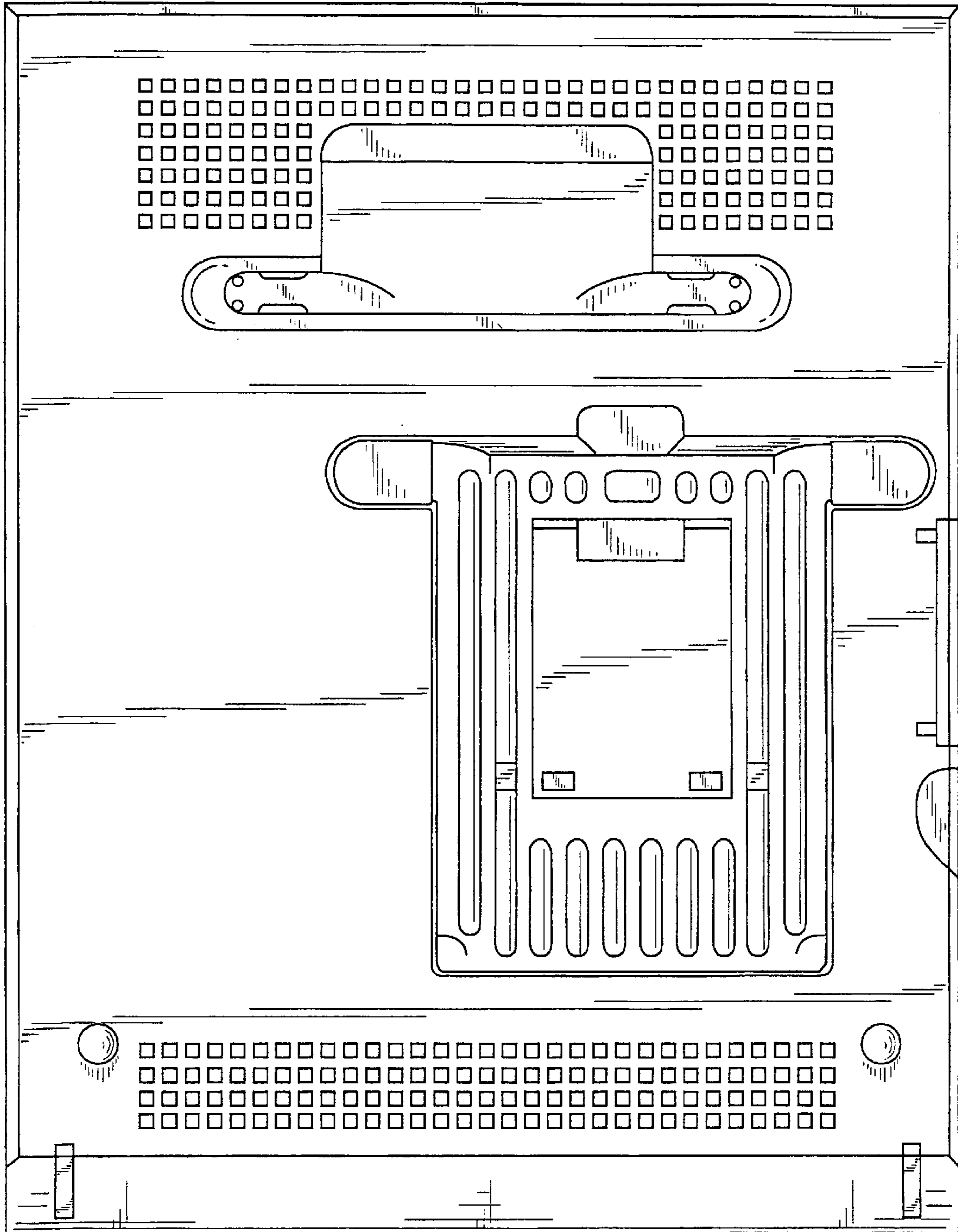


FIG. 7