



US00D452487B1

(12) **United States Design Patent**
Kaplan

(10) **Patent No.:** **US D452,487 S**

(45) **Date of Patent:** **** Dec. 25, 2001**

(54) **AERIAL CABLE CONNECTION ENCLOSURE**

D. 399,190 * 10/1998 Dale et al. D13/184
5,745,633 * 4/1998 Giebel et al. 385/136

* cited by examiner

(75) Inventor: **Steve E Kaplan**, Elyria, OH (US)

Primary Examiner—Adir Aronovich

(73) Assignee: **Multilink, Inc.**, Elyria, OH (US)

Assistant Examiner—Daniel Bui

(**) Term: **14 Years**

(74) *Attorney, Agent, or Firm*—Renner, Otto, Boisselle & Sklar, LLP

(21) Appl. No.: **29/129,297**

(57) **CLAIM**

(22) Filed: **Sep. 11, 2000**

The ornamental design for an aerial cable connection enclosure, as shown and described.

(51) **LOC (7) Cl.** **13-03**

DESCRIPTION

(52) **U.S. Cl.** **D13/184**

(58) **Field of Search** D13/184, 154,
D13/155.18, 152; D14/240; 174/48-49,
50-67, 65 R, 58; 312/223.1, 223.2; 361/679,
724, 829; 385/135

FIG. 1 is a front, bottom and right side perspective view of an aerial cable connection enclosure incorporating my new design;

FIG. 2 is a front elevation view thereof;

FIG. 3 is a bottom plan view thereof;

FIG. 4 is a right elevation view thereof;

FIG. 5 is a left elevation view thereof;

FIG. 6 is a rear elevation view thereof; and,

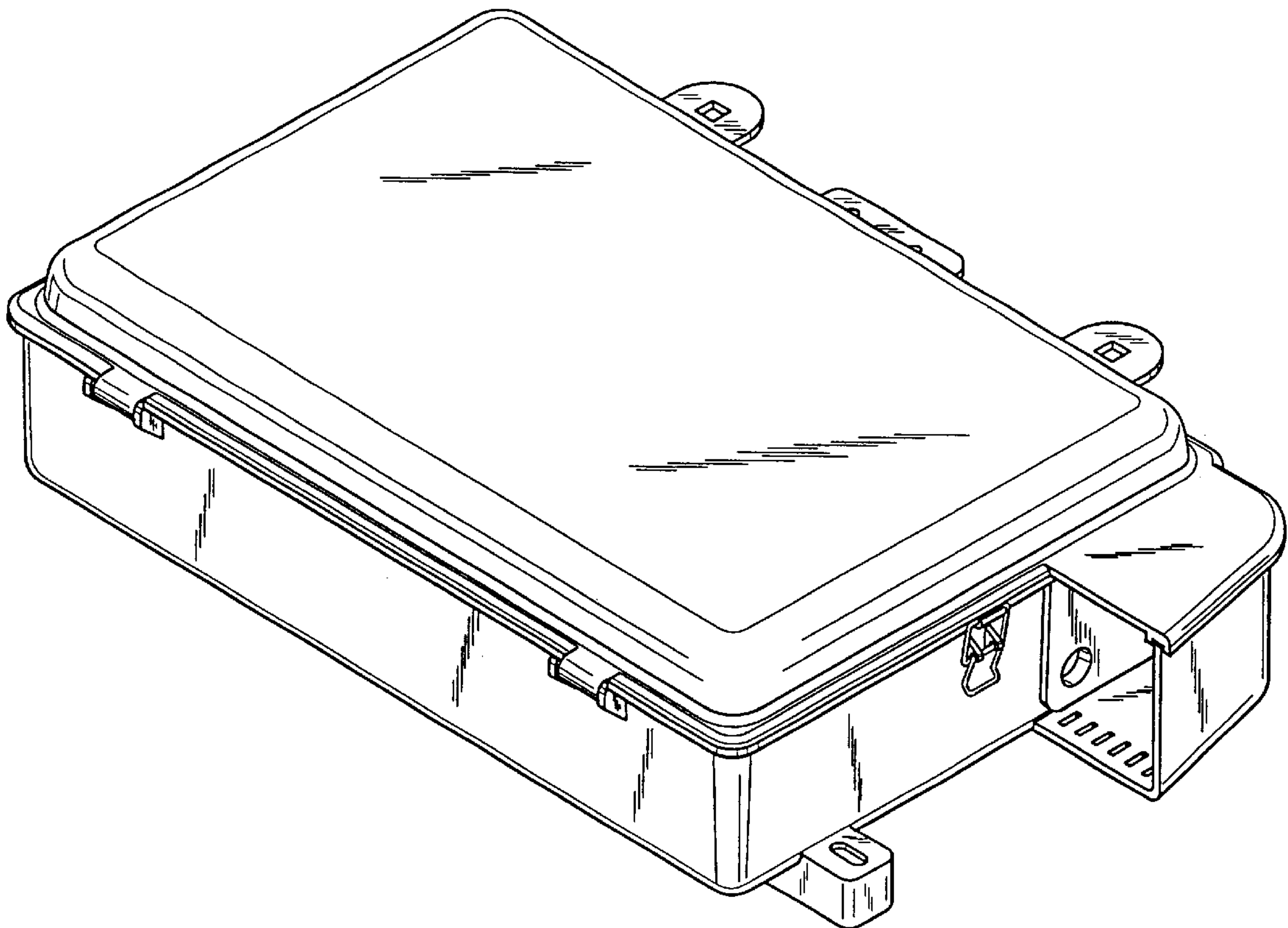
FIG. 7 is a top plan view of FIG. 6.

(56) **References Cited**

U.S. PATENT DOCUMENTS

- D. 304,339 * 10/1989 Collins et al. D14/240
- D. 312,244 * 11/1990 Collins et al. D13/152
- D. 355,196 * 2/1995 Nakamura D14/240

1 Claim, 4 Drawing Sheets



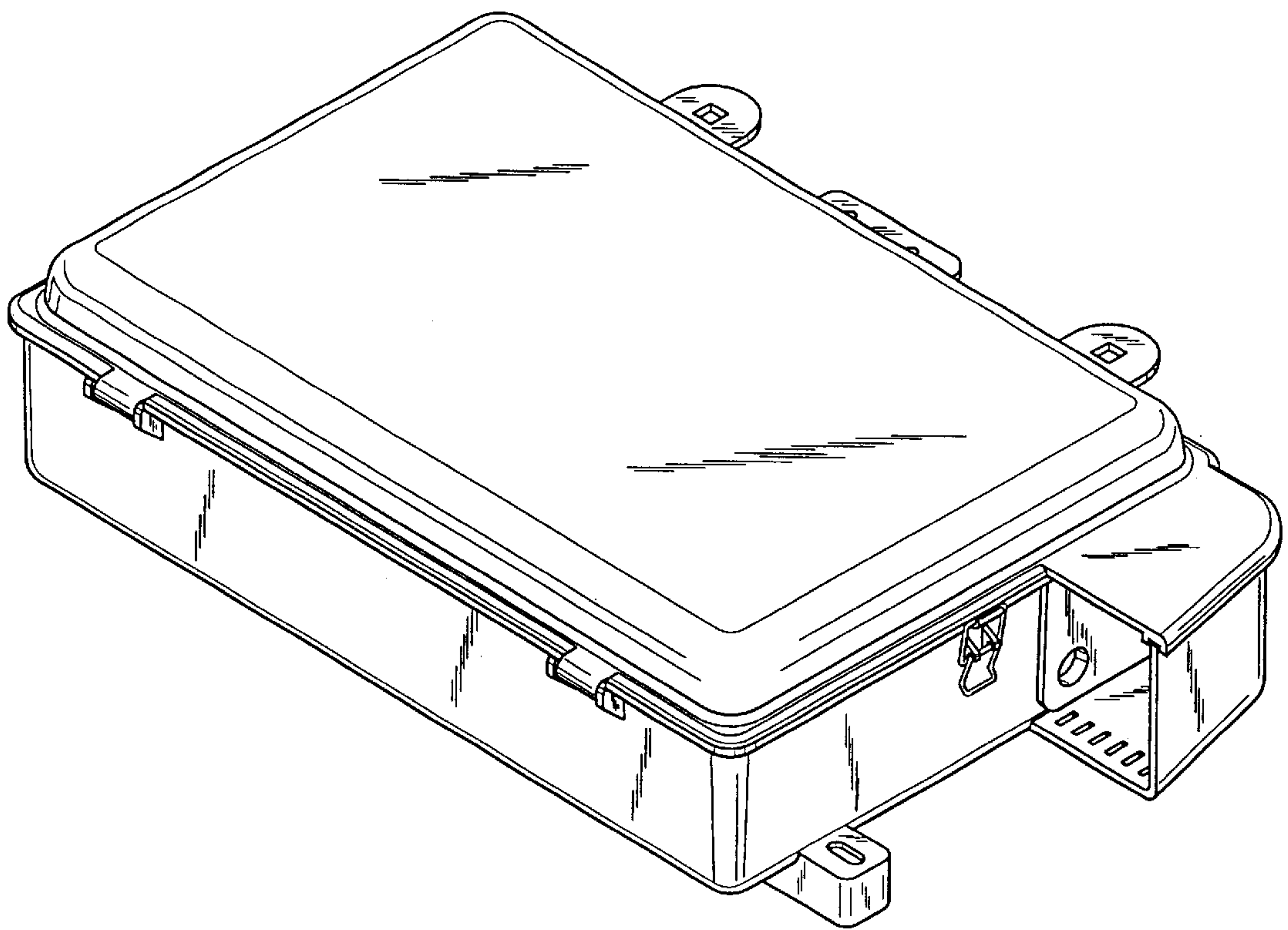


FIG. 1

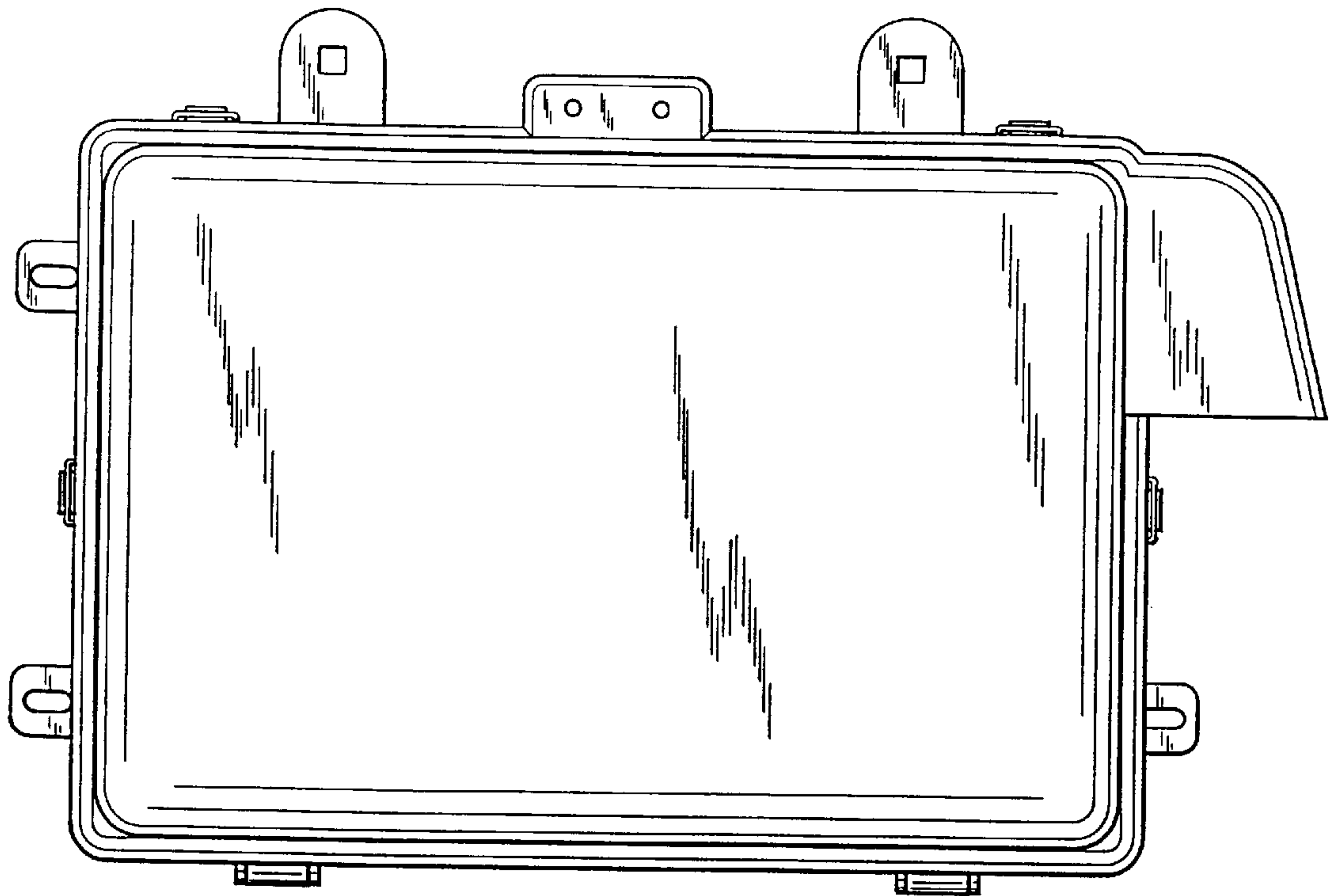


FIG. 2

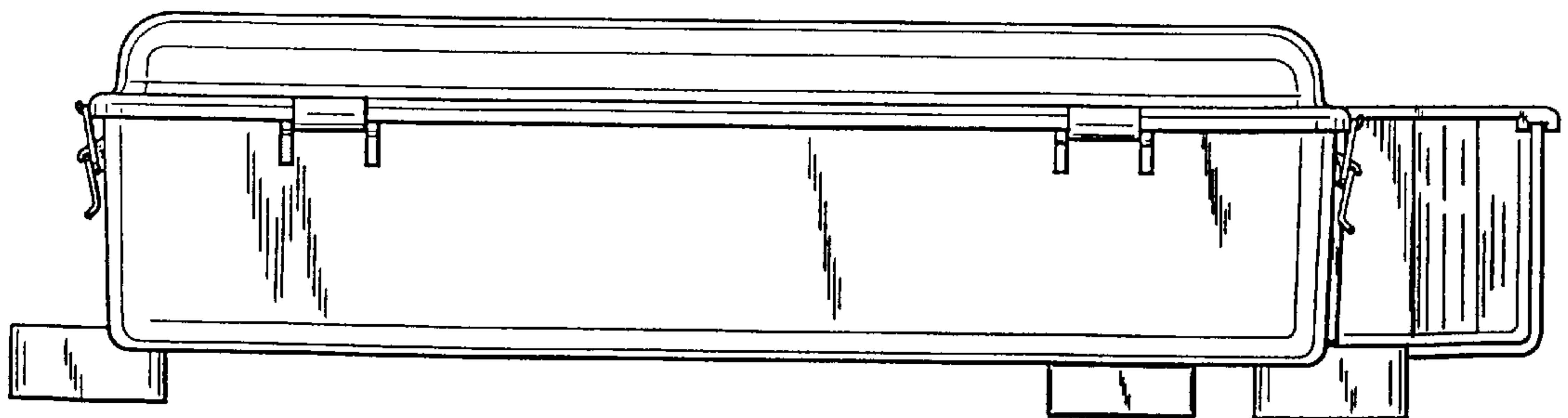


FIG. 3

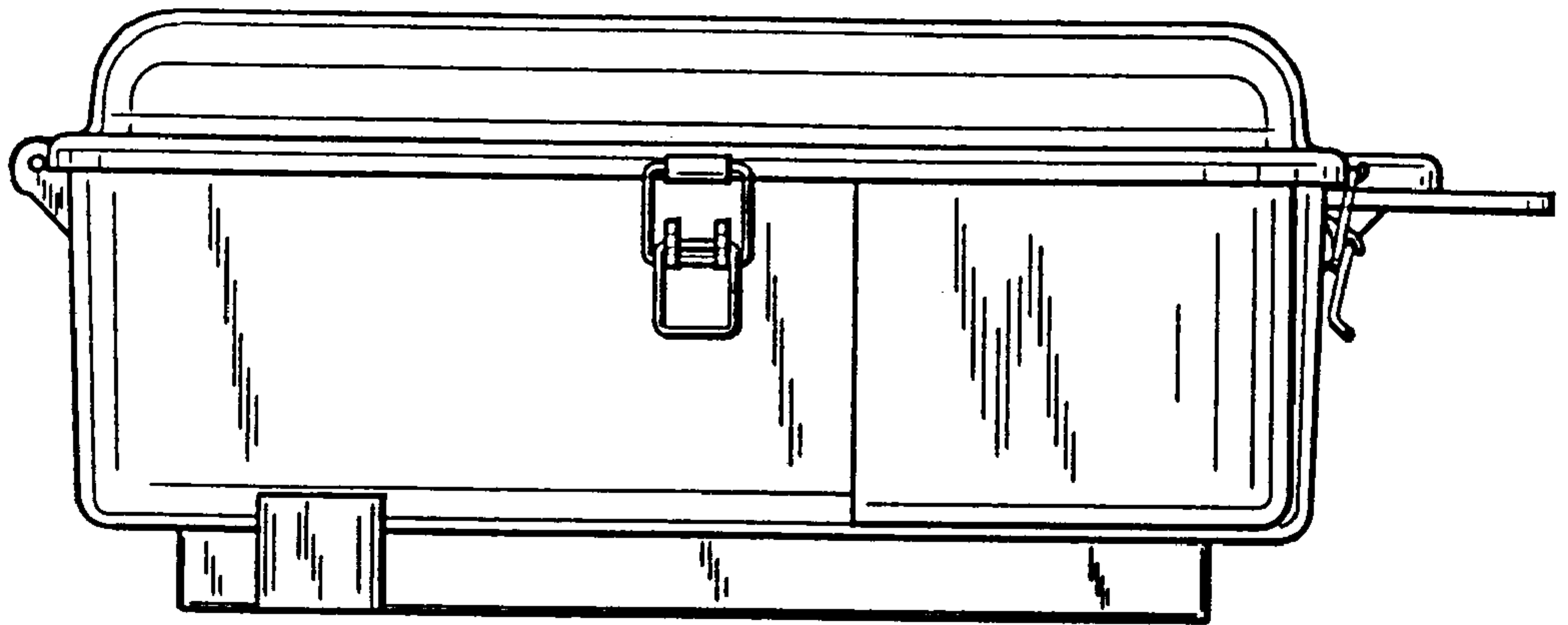


FIG. 4

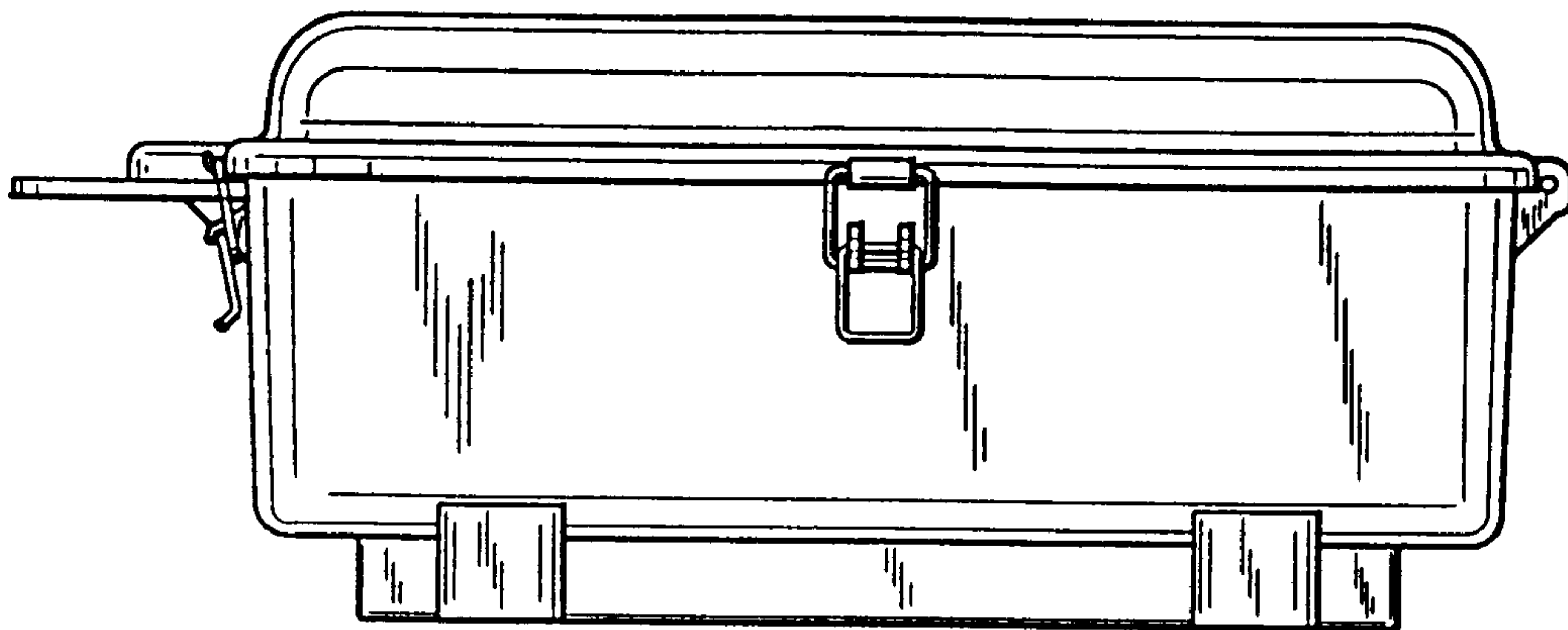


FIG. 5

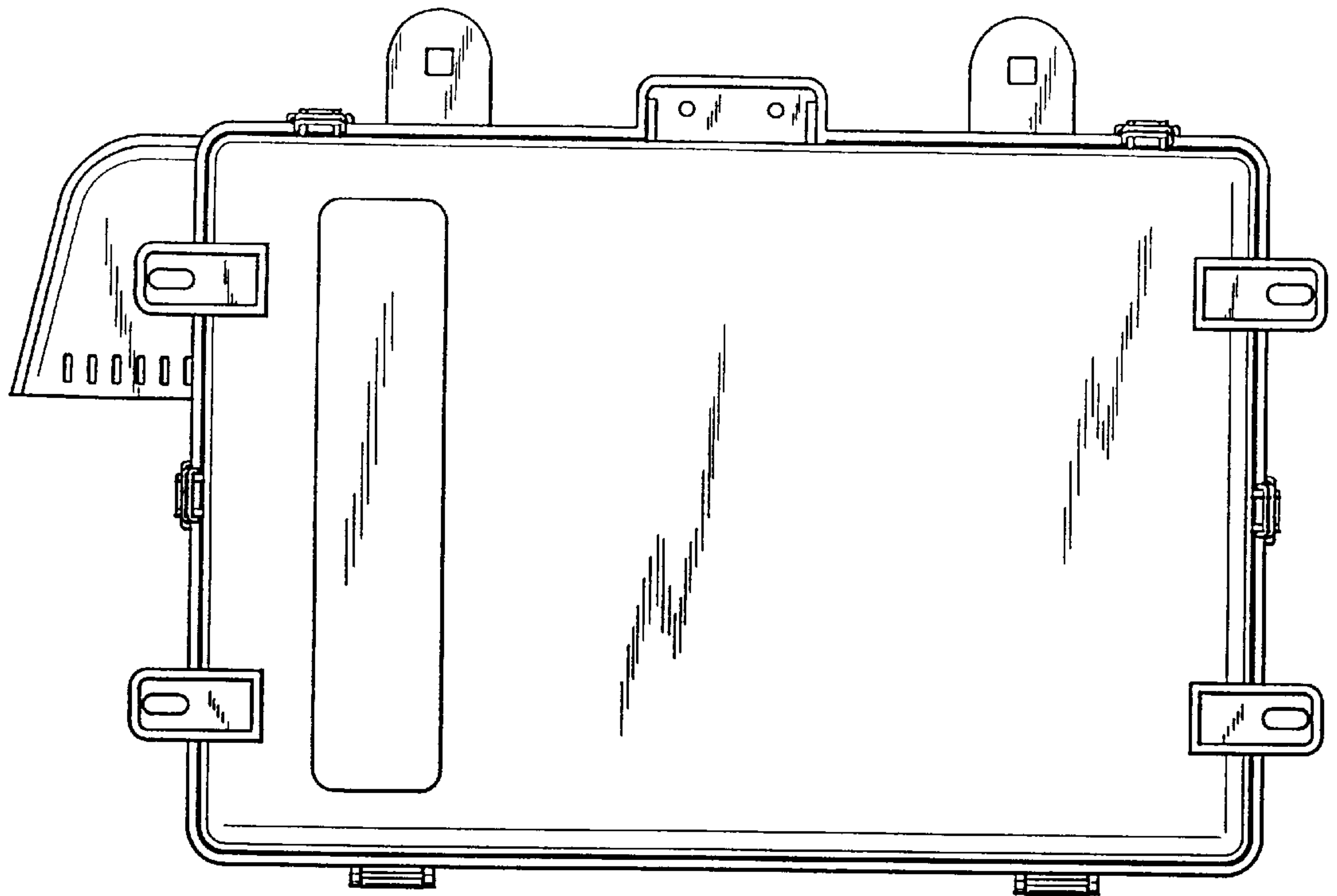


FIG. 6

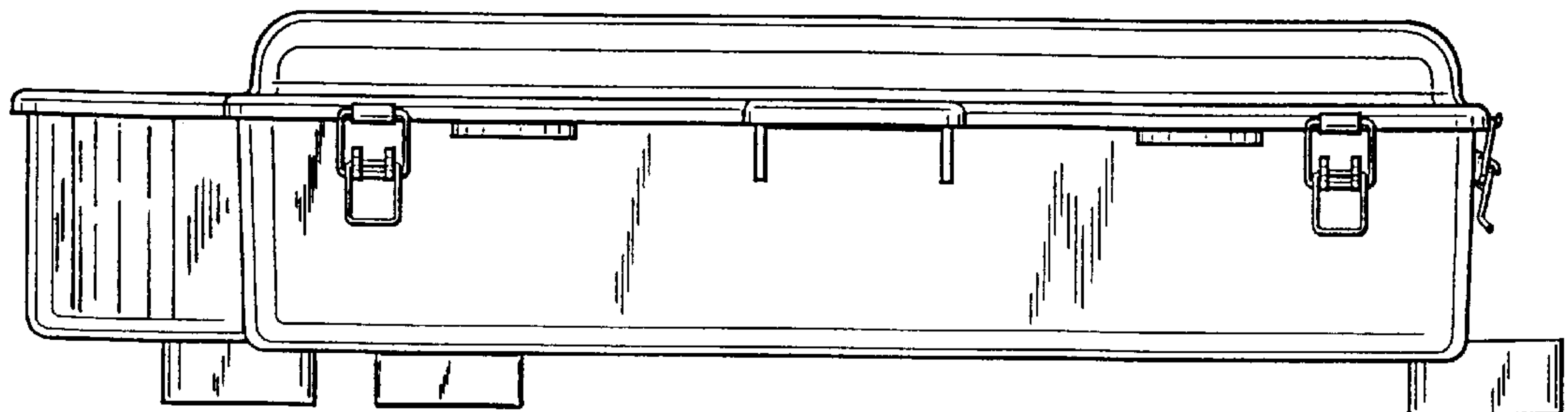


FIG. 7