



US00D452486B1

(12) **United States Design Patent**
Gardiner

(10) **Patent No.:** **US D452,486 S**

(45) **Date of Patent:** **** Dec. 25, 2001**

(54) **DIN CLIP FOR HOUSING UNIT**

(75) Inventor: **Andrew L. Gardiner**, Maine, NY (US)

(73) Assignee: **Emerson Electric Co.**, St. Louis, MO (US)

(**) Term: **14 Years**

(21) Appl. No.: **29/119,020**

(22) Filed: **Feb. 22, 2000**

(51) **LOC (7) Cl.** **13-03**

(52) **U.S. Cl.** **D13/173**

(58) **Field of Search** D13/173; 439/131,
439/532, 716; 174/50, 52.1

(56) **References Cited**

U.S. PATENT DOCUMENTS

D. 353,364	12/1994	Marach	D13/147
D. 353,365	12/1994	Marach	D13/147
4,390,230	* 6/1983	Knickerbocker	439/532
4,472,011	* 9/1984	Durkop	439/131
4,921,445	* 5/1990	Herbert	439/532
5,192,227	3/1993	Bales	439/532
5,602,363	* 2/1997	Arx	174/52.1
5,817,975	* 10/1998	Heilmann	174/50
6,017,251	* 1/2000	Rittmann	439/716

OTHER PUBLICATIONS

Universal Holder. Specification Drawing UH-035. Gaurang Electronic Industries.

Universal Holder. Specification Drawing UH-070. Gaurang Electronic Industries.

Universal Holder. Specification Drawing UH-105. Gaurang Electronic Industries.

Universal Holder. Specification Drawing UH-140. Gaurang Electronic Industries.

* cited by examiner

Primary Examiner—Brian N. Vinson

(74) *Attorney, Agent, or Firm*—Howrey Simon Arnold & White, LLP

(57) **CLAIM**

The ornamental design for a DIN clip for housing unit, as shown and described.

DESCRIPTION

FIG. 1 is a front perspective view of the DIN clip of the present invention, engaged with an exemplary housing unit for containing electrical device and a DIN rail, which are shown in broken lines.

FIG. 2 is a top plane view.

FIG. 3 is a side view.

FIG. 4 is a bottom plane view.

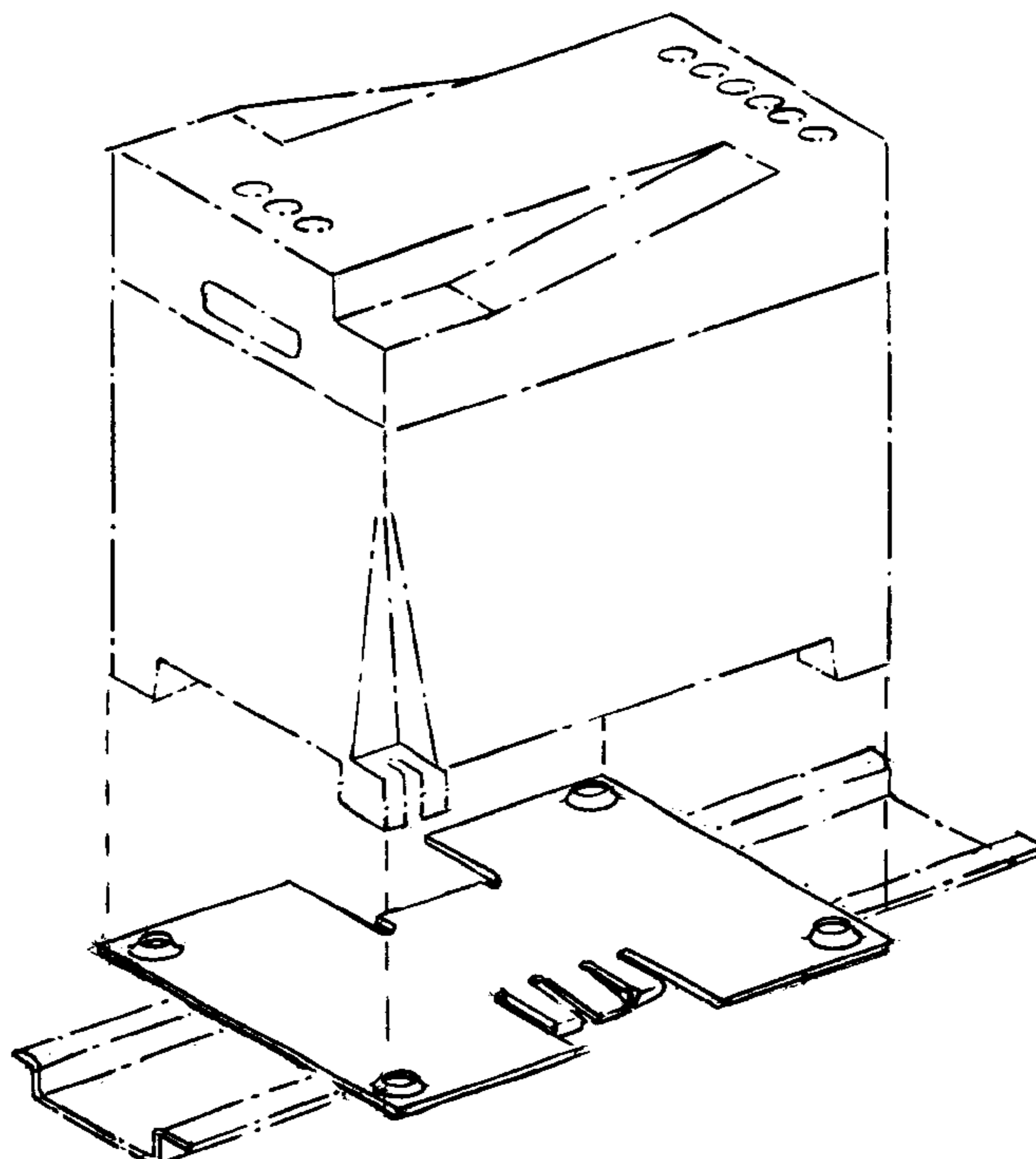
FIG. 5 is another side view opposite of that shown in FIG. 3.

FIG. 6 is a side view; and,

FIG. 7 is an enlarged bottom perspective view.

The housing unit and rail shown in broken lines are for illustrative purposes only and forms no part of the claimed design.

1 Claim, 3 Drawing Sheets



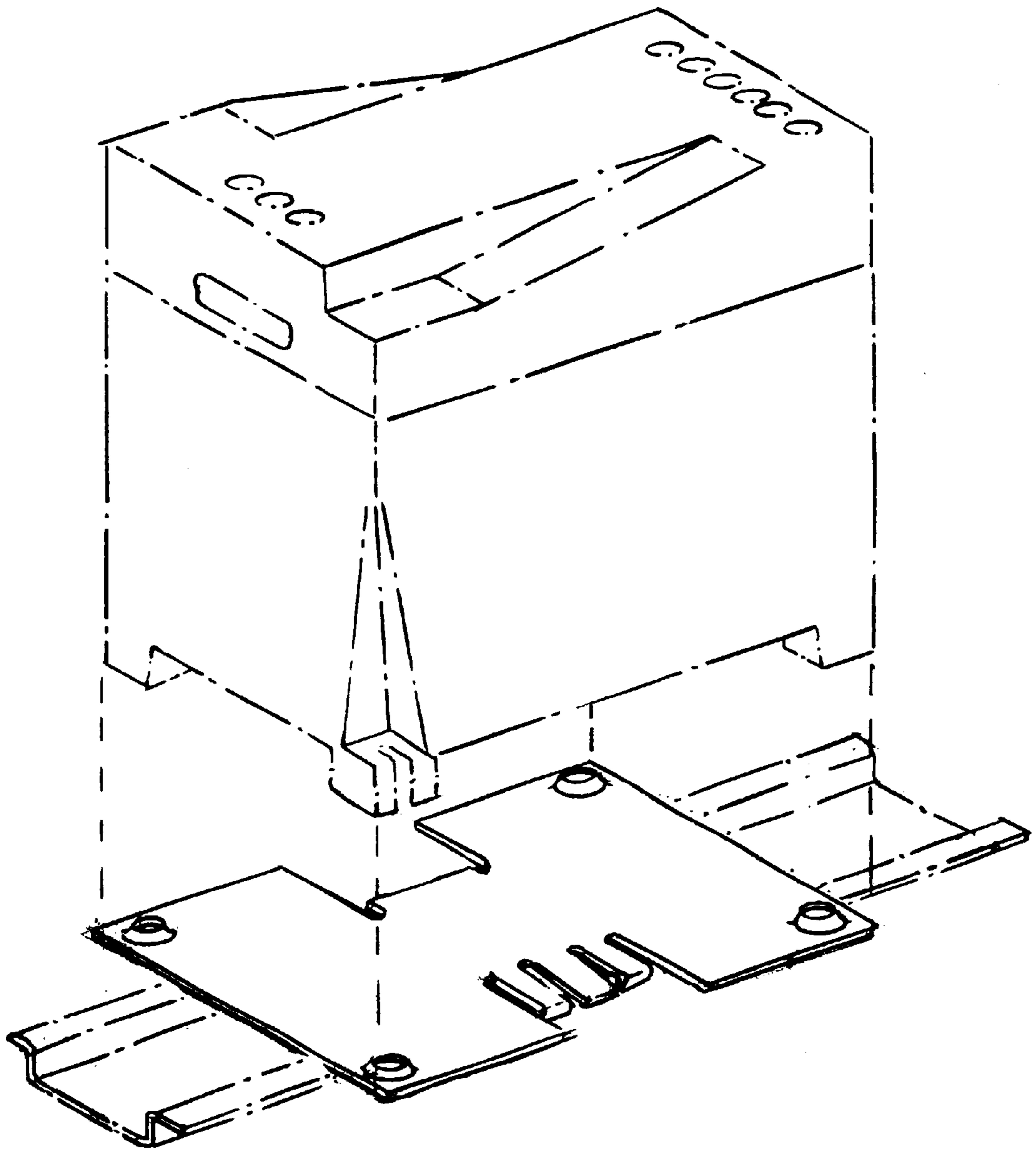


FIG. 1

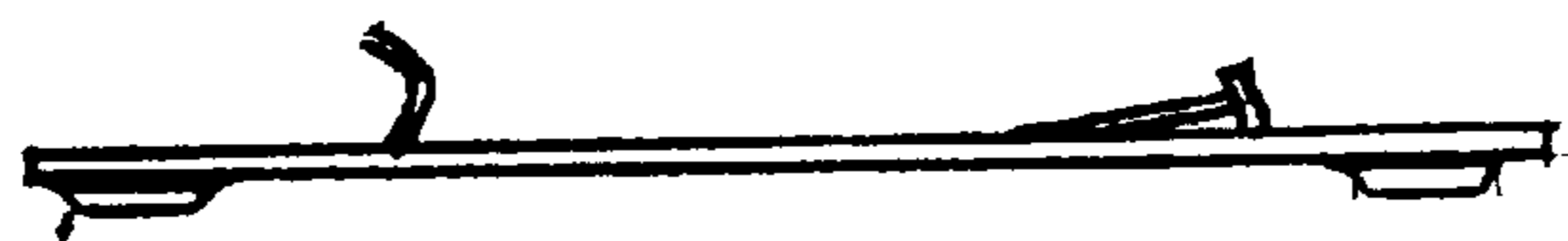


FIG. 6

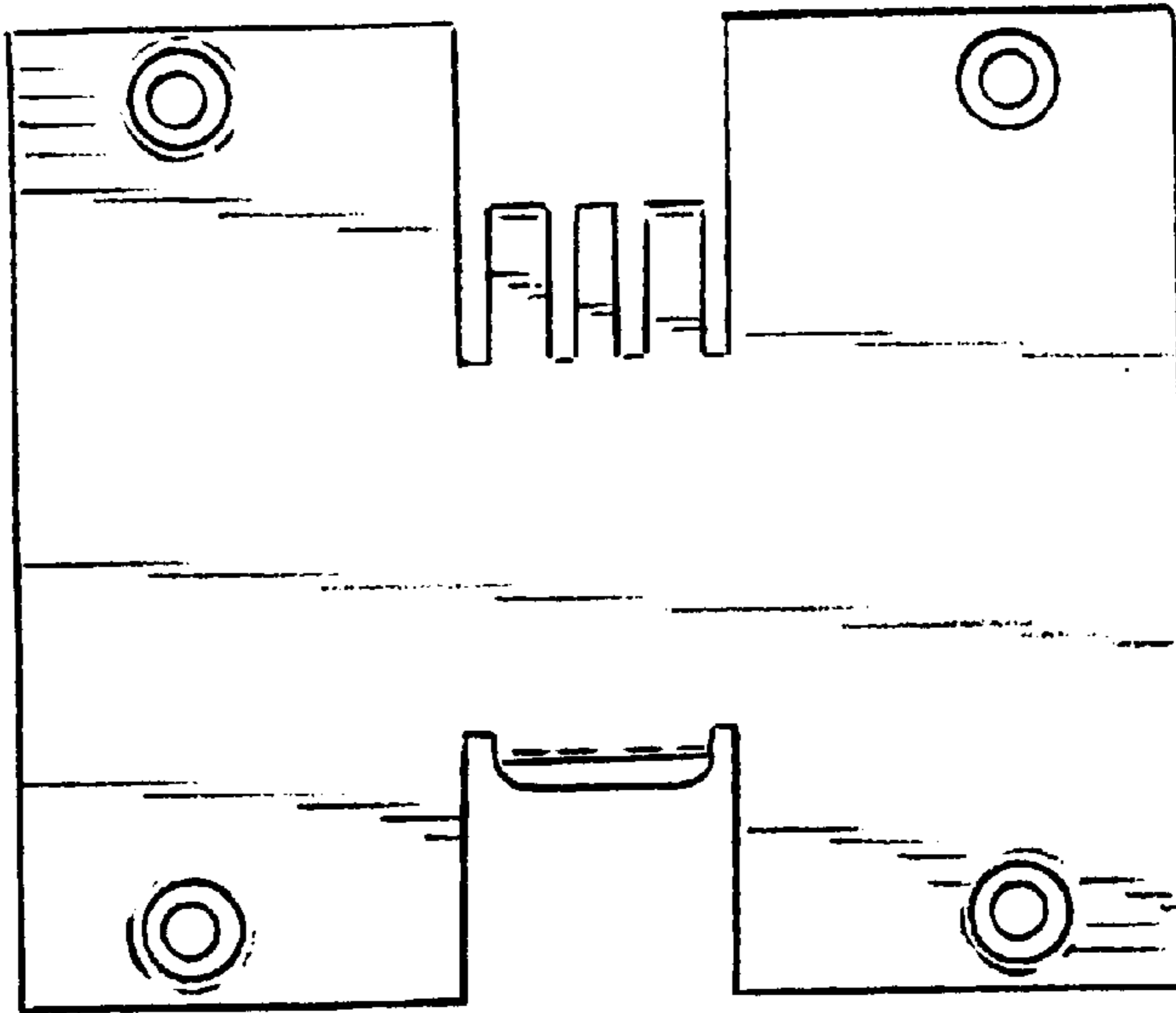


FIG. 2

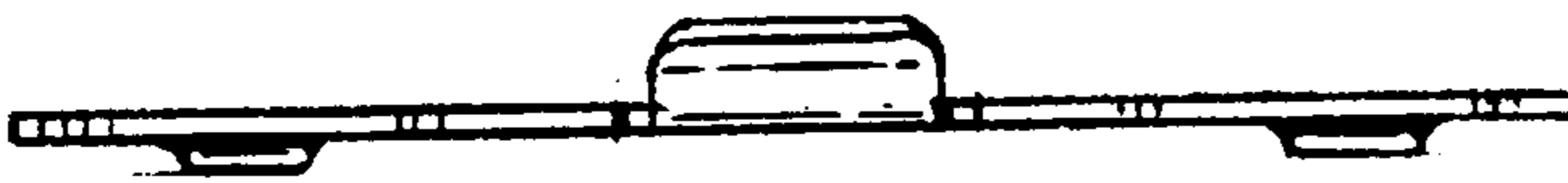


FIG. 3

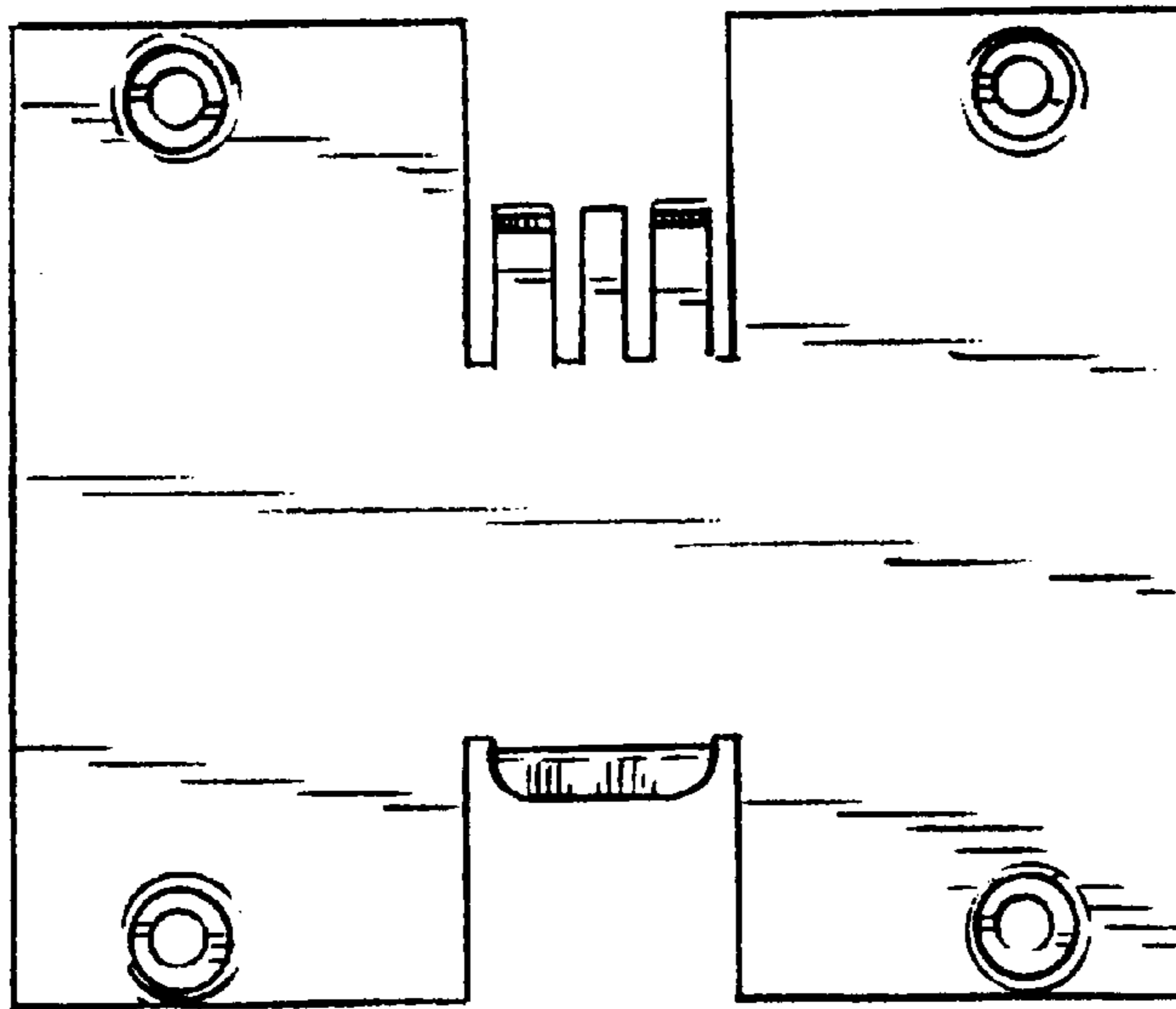


FIG. 4



FIG. 5

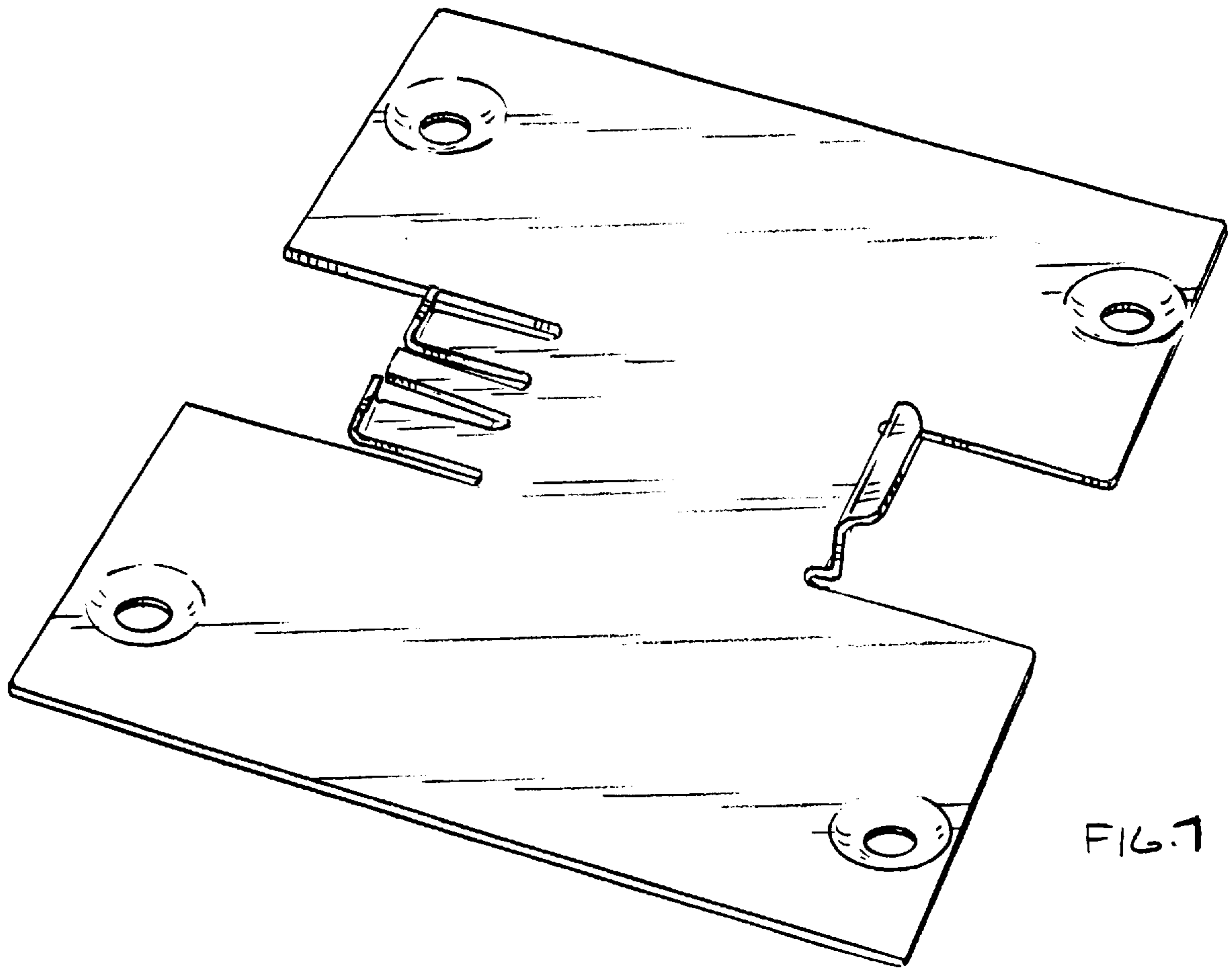


FIG. 7