



US00D452482B1

(12) **United States Design Patent**
Shimojyo

(10) **Patent No.:** **US D452,482 S**

(45) **Date of Patent:** **** *Dec. 25, 2001**

(54) **ELECTRICAL CONNECTOR**

(75) Inventor: **Yasuhiro Shimojyo, Isesaki (JP)**

(73) Assignee: **Hosiden Corporation, Osaka-fu (JP)**

(*) Notice: This patent is subject to a terminal disclaimer.

(**) Term: **14 Years**

(21) Appl. No.: **29/140,665**

(22) Filed: **Apr. 24, 2001**

(30) **Foreign Application Priority Data**

Nov. 10, 2000 (JP) 12-032150

(51) **LOC (7) Cl.** **13-03**

(52) **U.S. Cl.** **D13/147**

(58) **Field of Search** D13/146, 147;
439/607-610

(56) **References Cited**

U.S. PATENT DOCUMENTS

- D. 399,489 * 10/1998 Nishio et al. D13/147
- D. 415,106 * 10/1999 Wu et al. D13/147
- D. 425,027 * 5/2000 Nishio et al. D13/147

- D. 427,567 * 7/2000 Nishio et al. D13/147
- D. 427,975 * 7/2000 Zhu et al. D13/147
- D. 431,530 * 10/2000 Nishio et al. D13/147
- D. 433,665 * 11/2000 Huang D13/147
- D. 434,382 * 11/2000 Shimojyo D13/147
- 5,637,014 * 6/1997 Sukegawa et al. 439/607
- 6,077,120 * 6/2000 Futatsugi et al. 439/607

* cited by examiner

Primary Examiner—Joel Sincavage

(74) *Attorney, Agent, or Firm*—Jones, Tullar & Cooper, P.C.

(57) **CLAIM**

The ornamental design for an electrical connector, as shown and described.

DESCRIPTION

FIG. 1 is a front elevation view of an electrical connector showing my new design;
 FIG. 2 is a rear elevation view thereof;
 FIG. 3 is a top plan view thereof;
 FIG. 4 is a bottom plan view thereof;
 FIG. 5 is a left side elevation view thereof; and,
 FIG. 6 is a right side elevation view thereof.

1 Claim, 2 Drawing Sheets

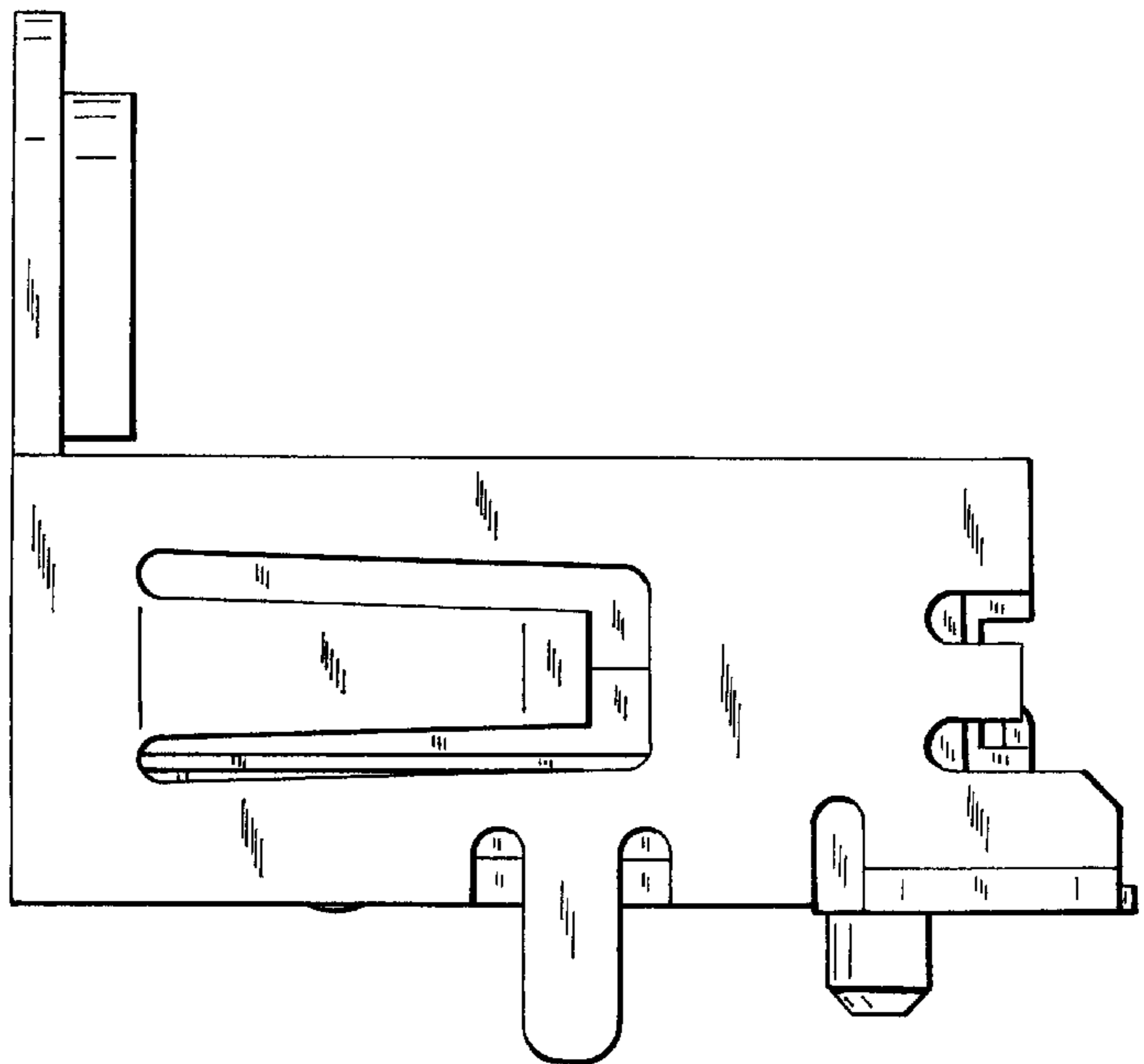
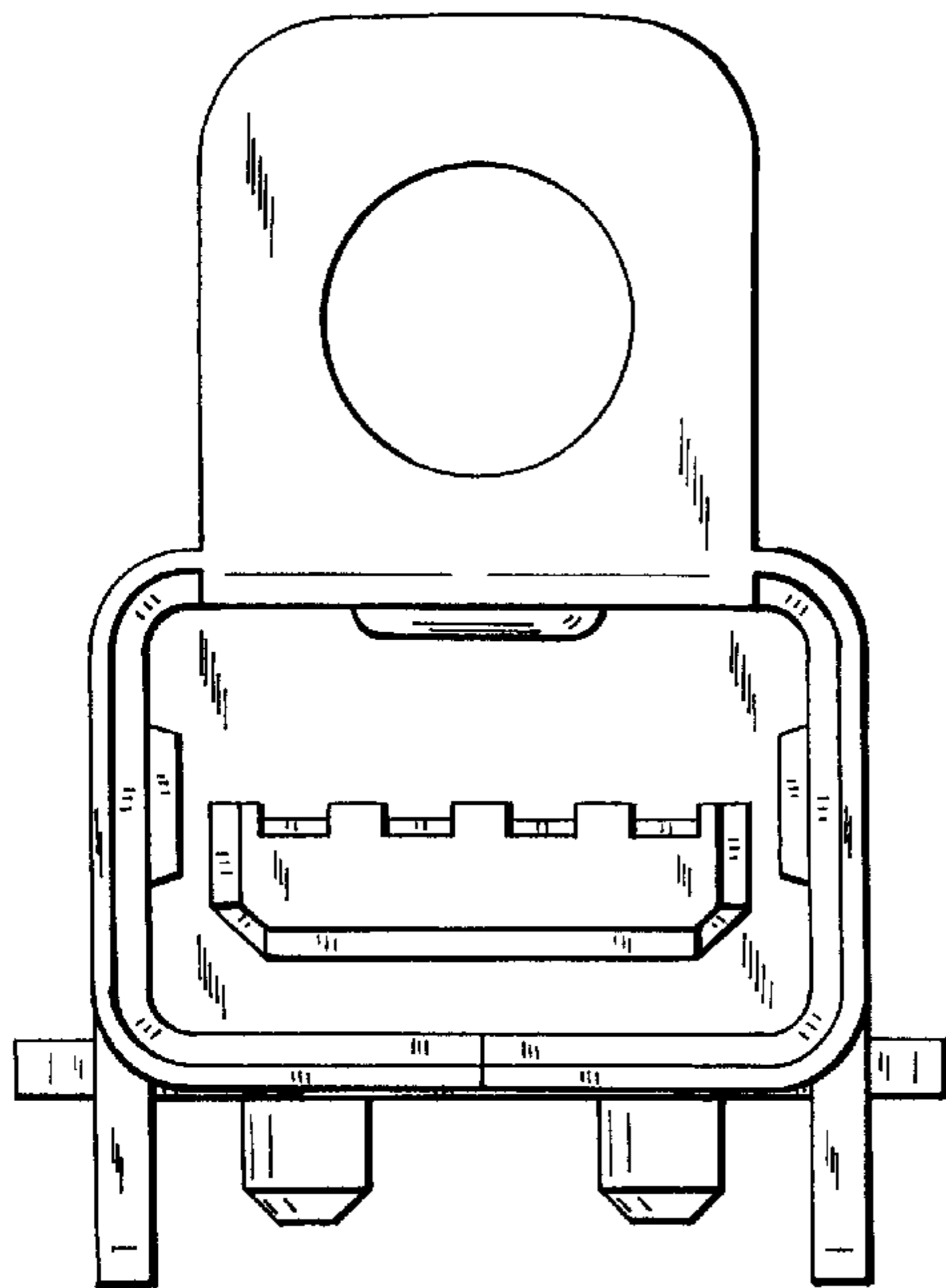


Fig. 1

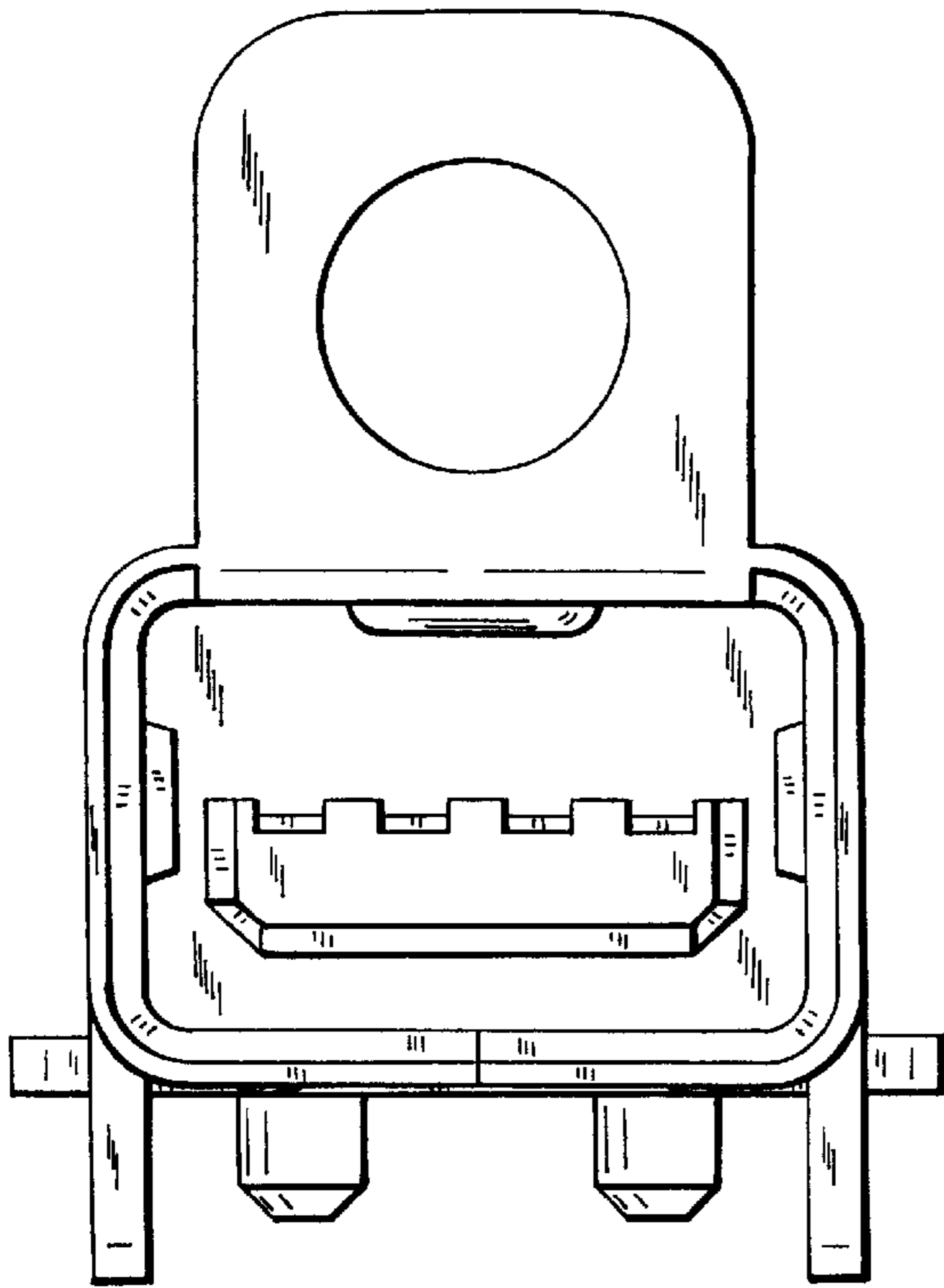


Fig. 2

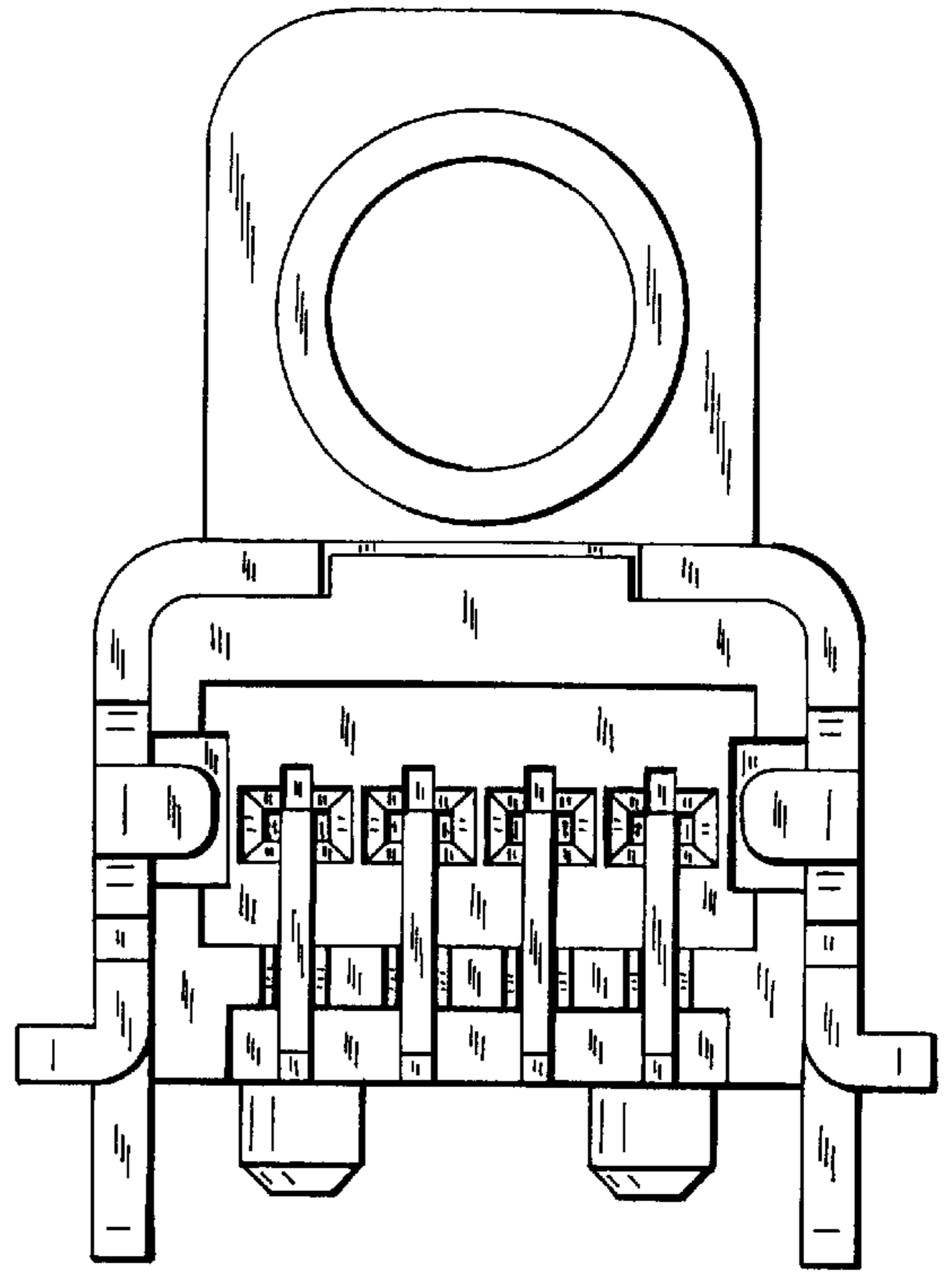


Fig. 3

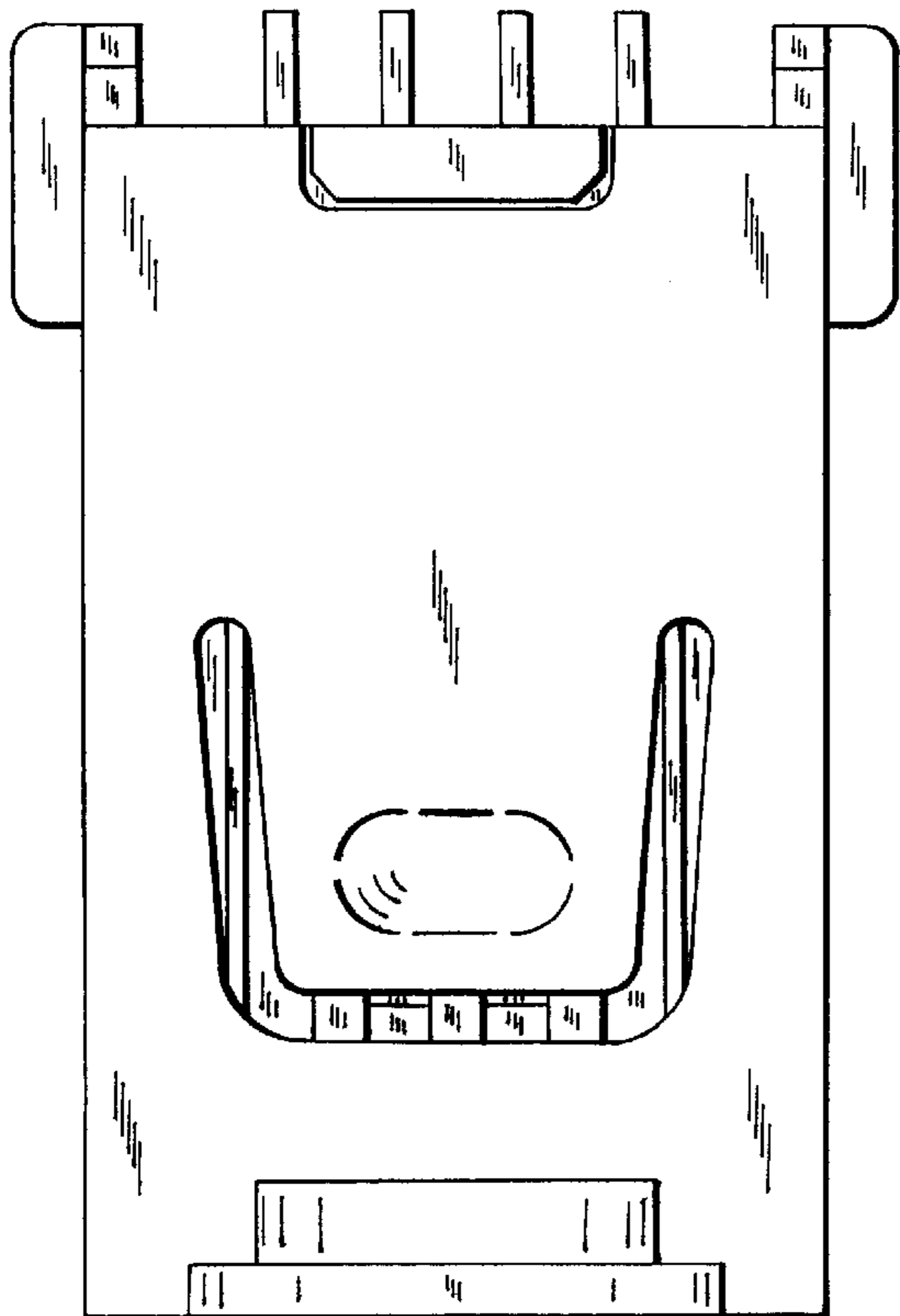


Fig. 4

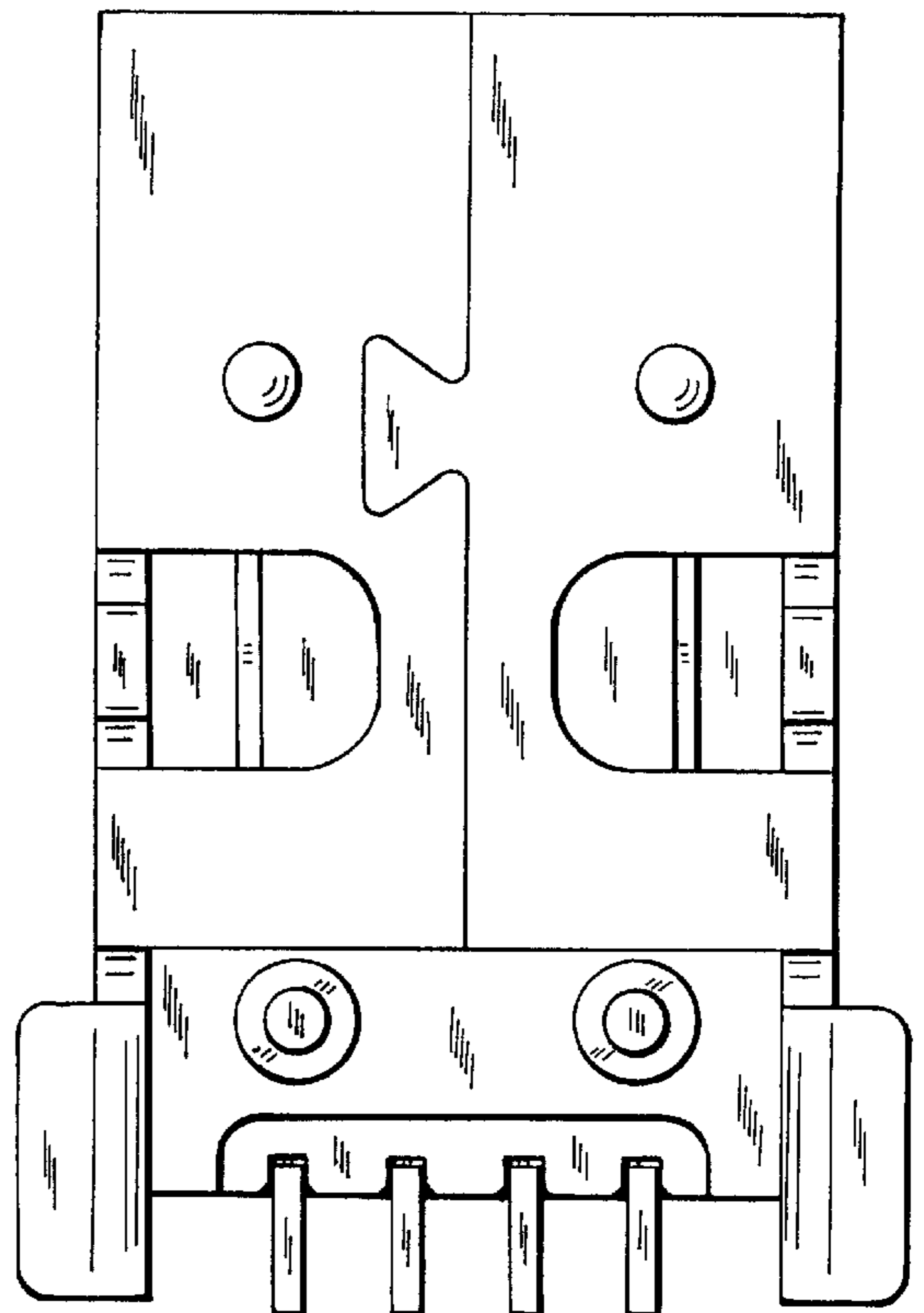


Fig. 5

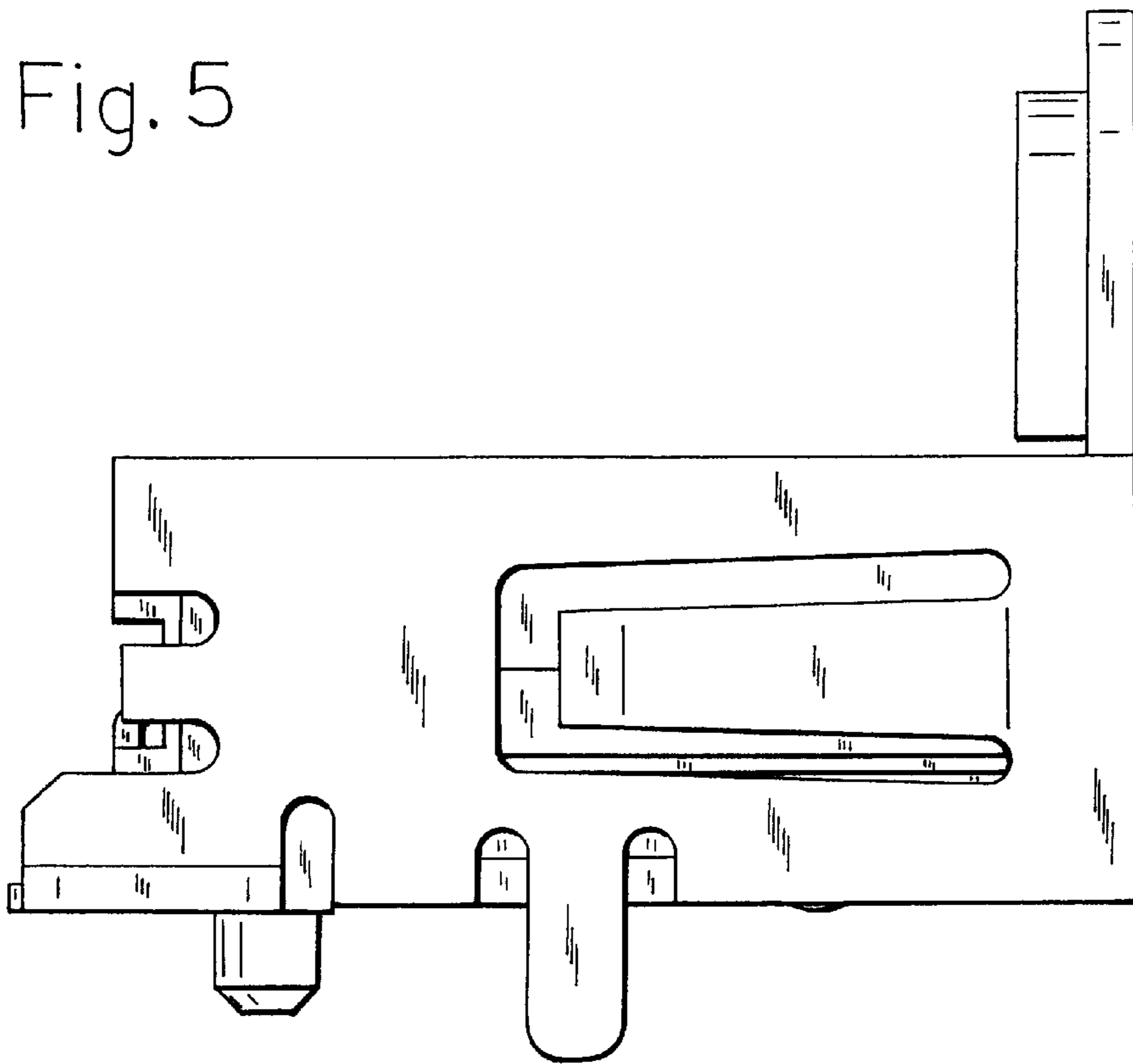


Fig. 6

