



US00D452480B1

(12) **United States Design Patent**  
**Shimojyo**

(10) **Patent No.:** **US D452,480 S**

(45) **Date of Patent:** **\*\* \*Dec. 25, 2001**

(54) **ELECTRICAL CONNECTOR**

(75) **Inventor:** **Yasuhiro Shimojyo, Isesaki (JP)**

(73) **Assignee:** **Hosiden Corporation, Osaka-fu (JP)**

(\* ) **Notice:** This patent is subject to a terminal disclaimer.

(\*\* ) **Term:** **14 Years**

(21) **Appl. No.:** **29/140,661**

(22) **Filed:** **Apr. 24, 2001**

(30) **Foreign Application Priority Data**

Nov. 10, 2000 (JP) ..... 12-032152

(51) **LOC (7) Cl.** ..... **13-03**

(52) **U.S. Cl.** ..... **D13/147**

(58) **Field of Search** ..... D13/146, 147;  
439/607-610

(56) **References Cited**

**U.S. PATENT DOCUMENTS**

- D. 399,489 \* 10/1998 Nishio et al. .... D13/147
- D. 415,106 \* 10/1999 Wu et al. .... D13/147
- D. 425,027 \* 5/2000 Nishio et al. .... D13/147

- D. 427,567 \* 7/2000 Nishio et al. .... D13/147
- D. 427,975 \* 7/2000 Zhu et al. .... D13/147
- D. 431,530 \* 10/2000 Nishio et al. .... D13/147
- D. 433,665 \* 11/2000 Huang ..... D13/147
- D. 434,382 \* 11/2000 Shimojyo ..... D13/147
- 5,637,014 \* 6/1997 Sukegawa et al. .... 439/607
- 6,077,120 \* 6/2000 Futatsugi et al. .... 439/607

\* cited by examiner

*Primary Examiner*—Joel Sincavage

(74) *Attorney, Agent, or Firm*—Jones, Tullar & Cooper, P.C.

(57) **CLAIM**

The ornamental design for an electrical connector, as shown and described.

**DESCRIPTION**

FIG. 1 is a front elevation view of an electrical connector showing my new design;  
 FIG. 2 is a rear elevation view thereof;  
 FIG. 3 is a top plan view thereof;  
 FIG. 4 is a bottom plan view thereof;  
 FIG. 5 is a left side elevation view thereof; and,  
 FIG. 6 is a right side elevation view thereof.

**1 Claim, 2 Drawing Sheets**

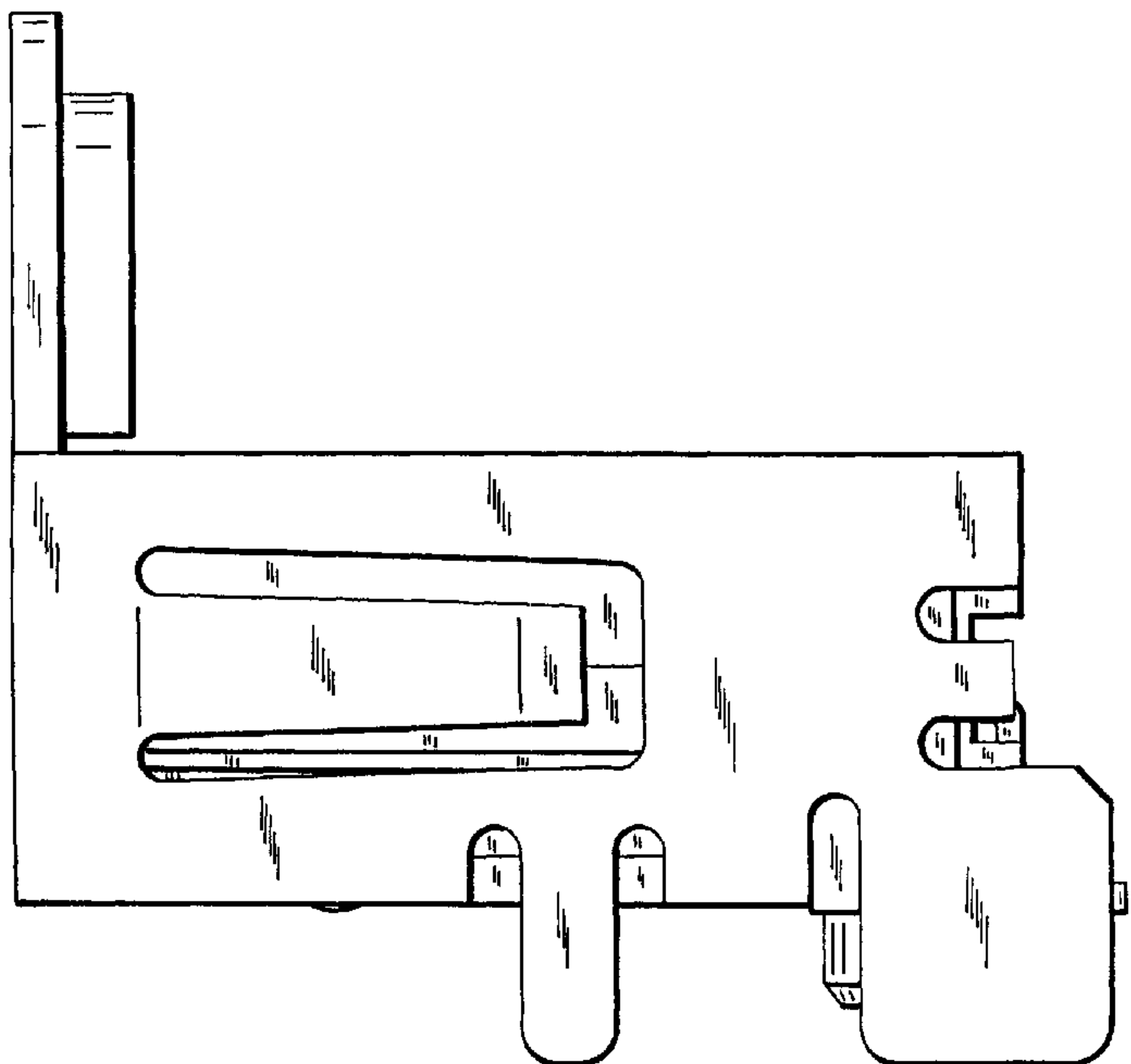
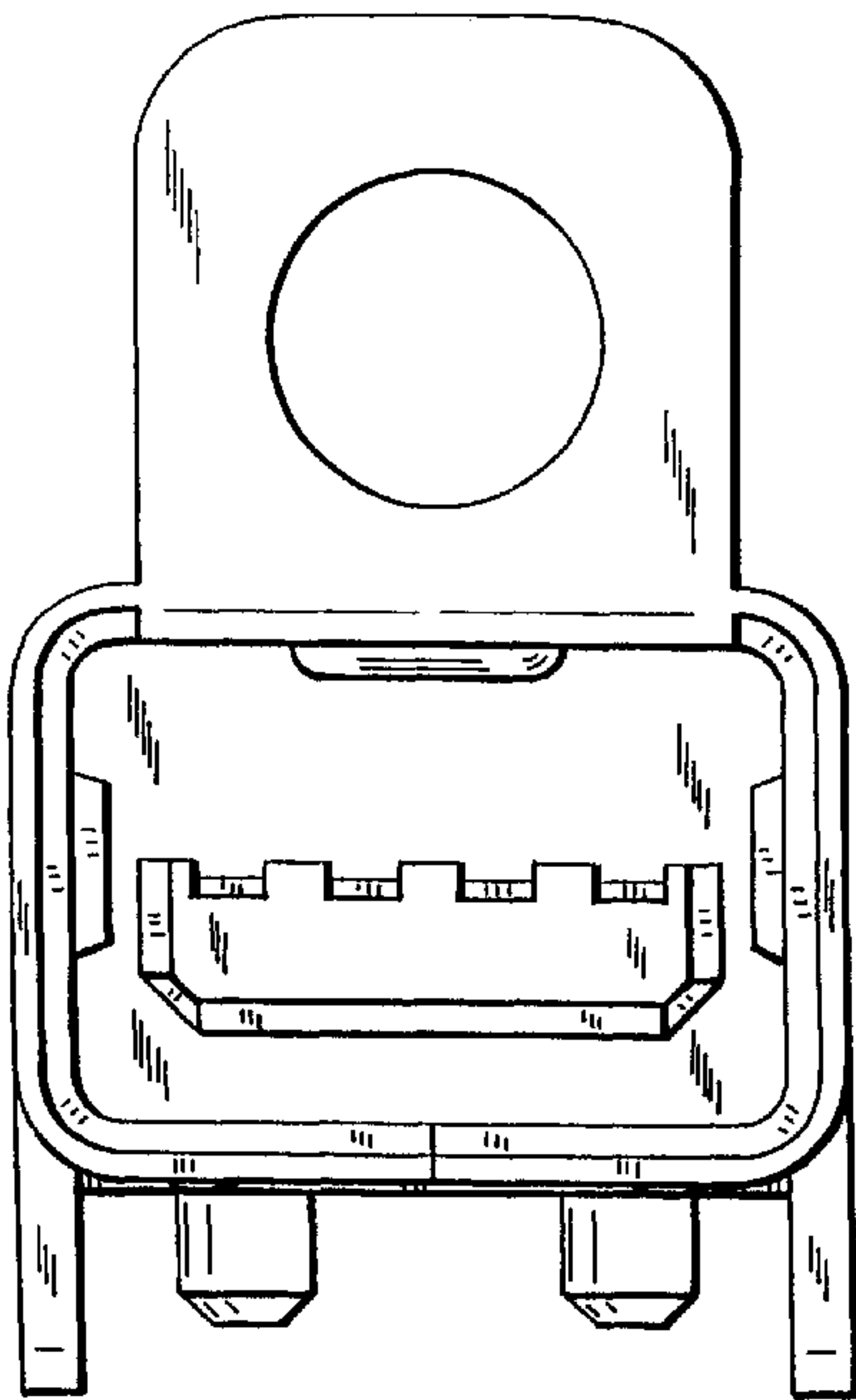


Fig. 1

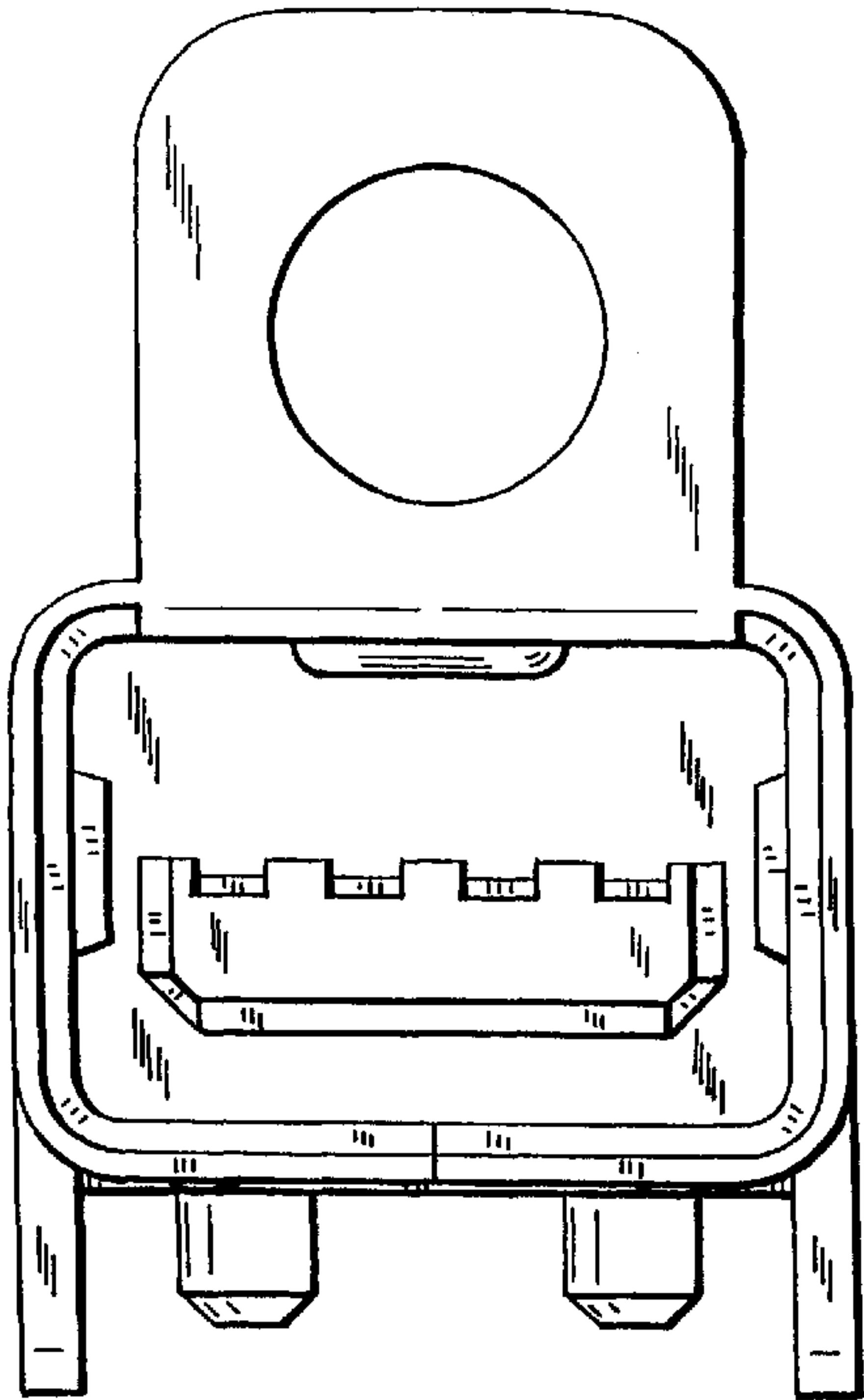


Fig. 2

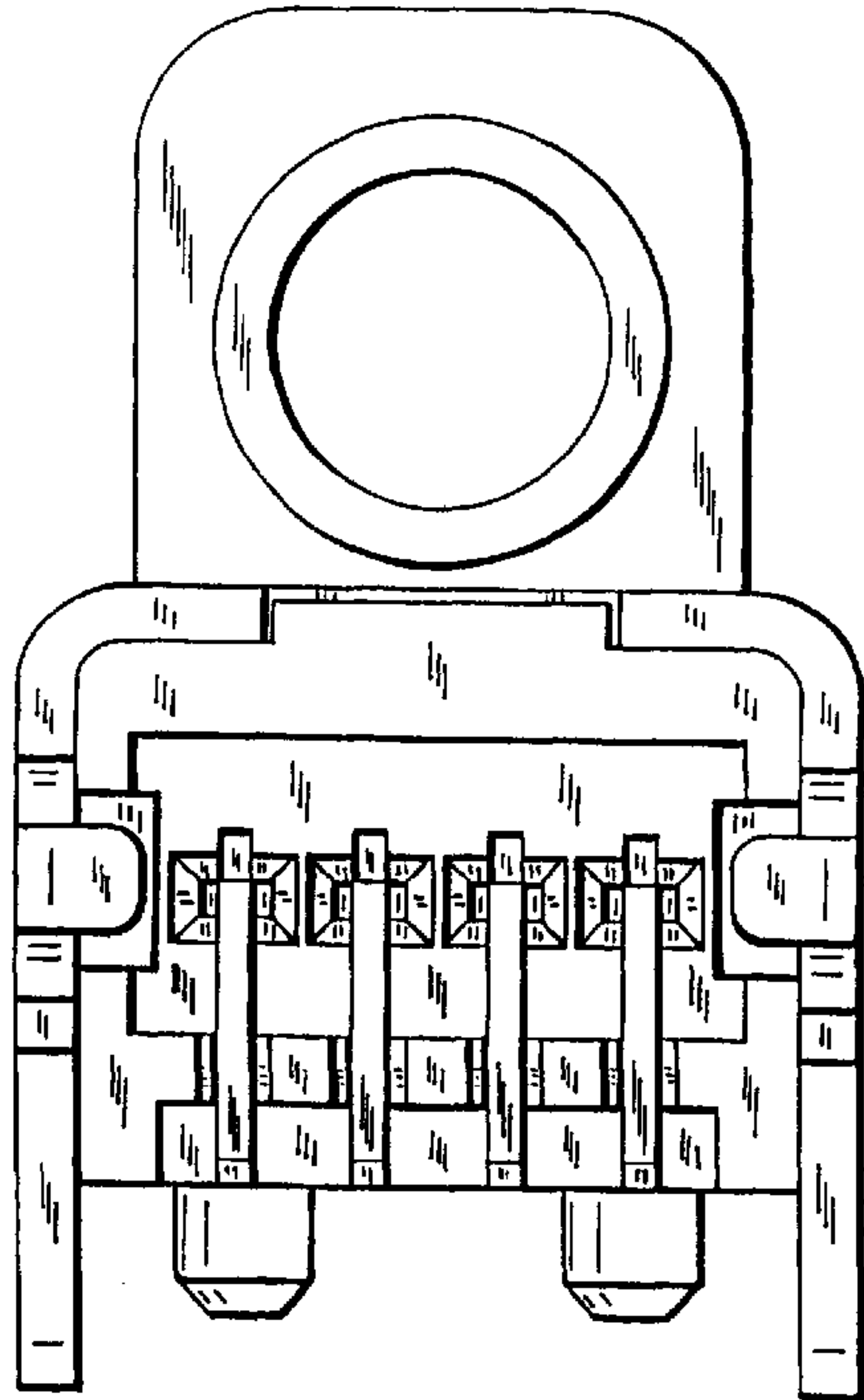


Fig. 3

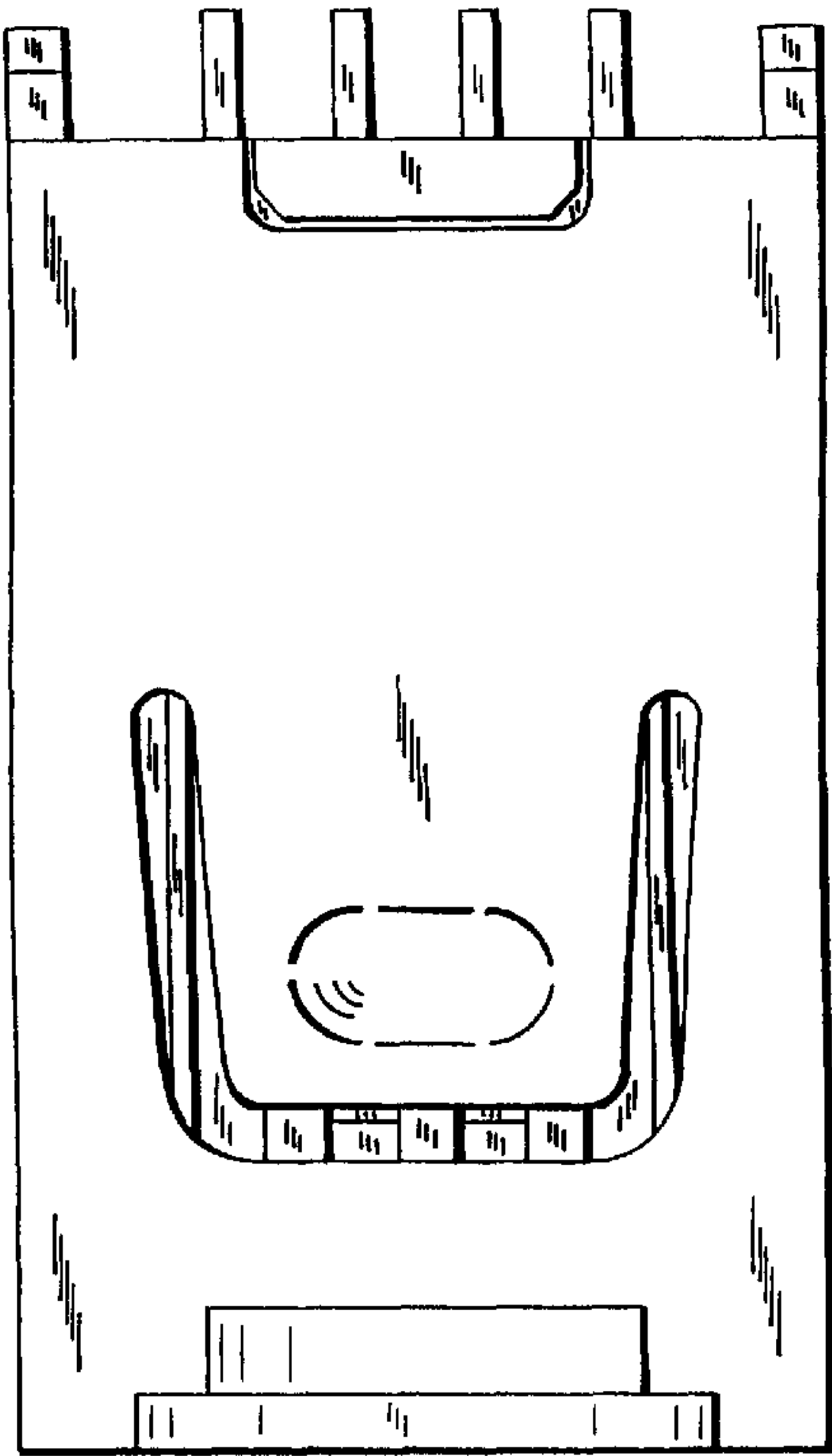


Fig. 4

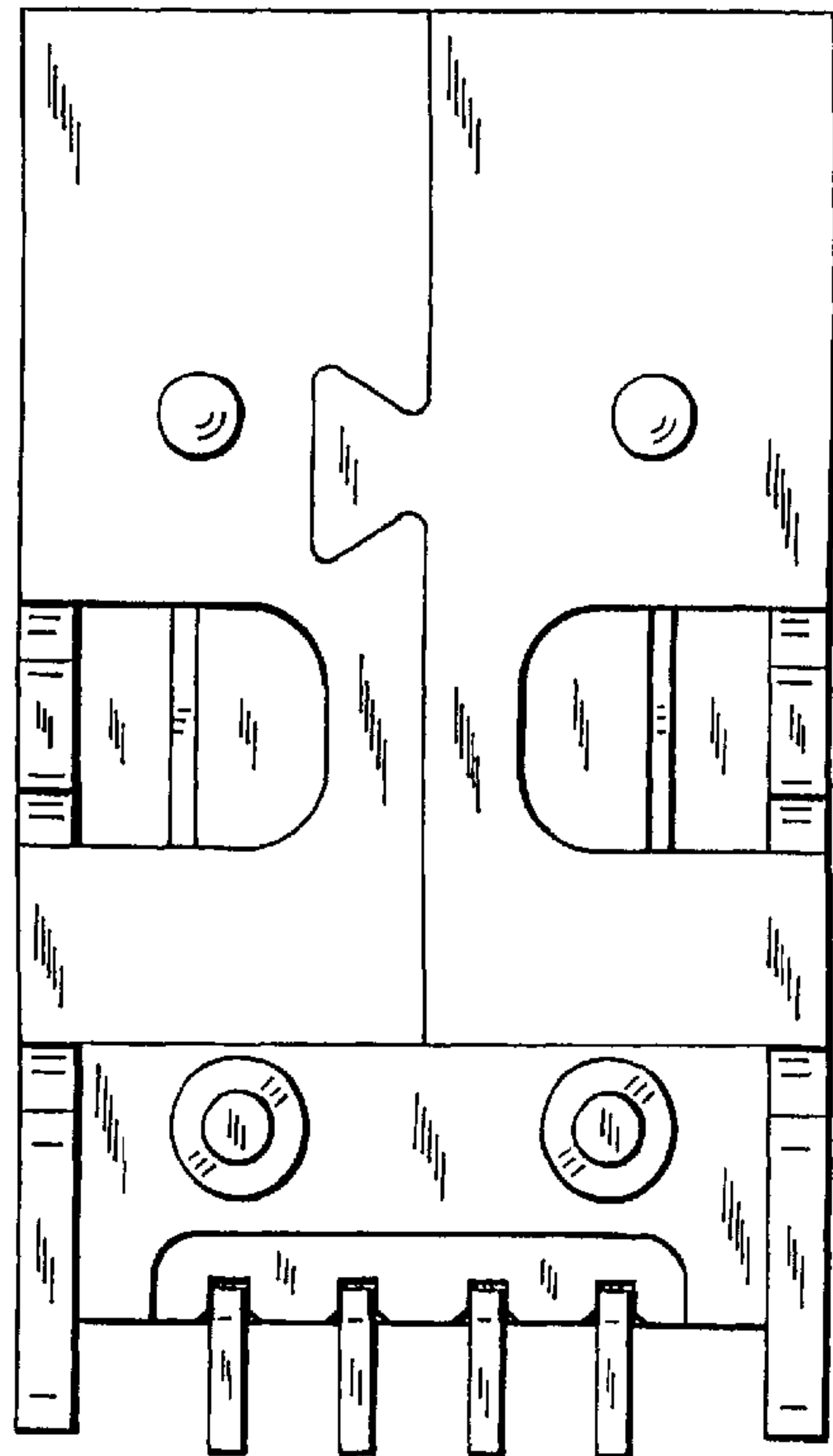


Fig. 5

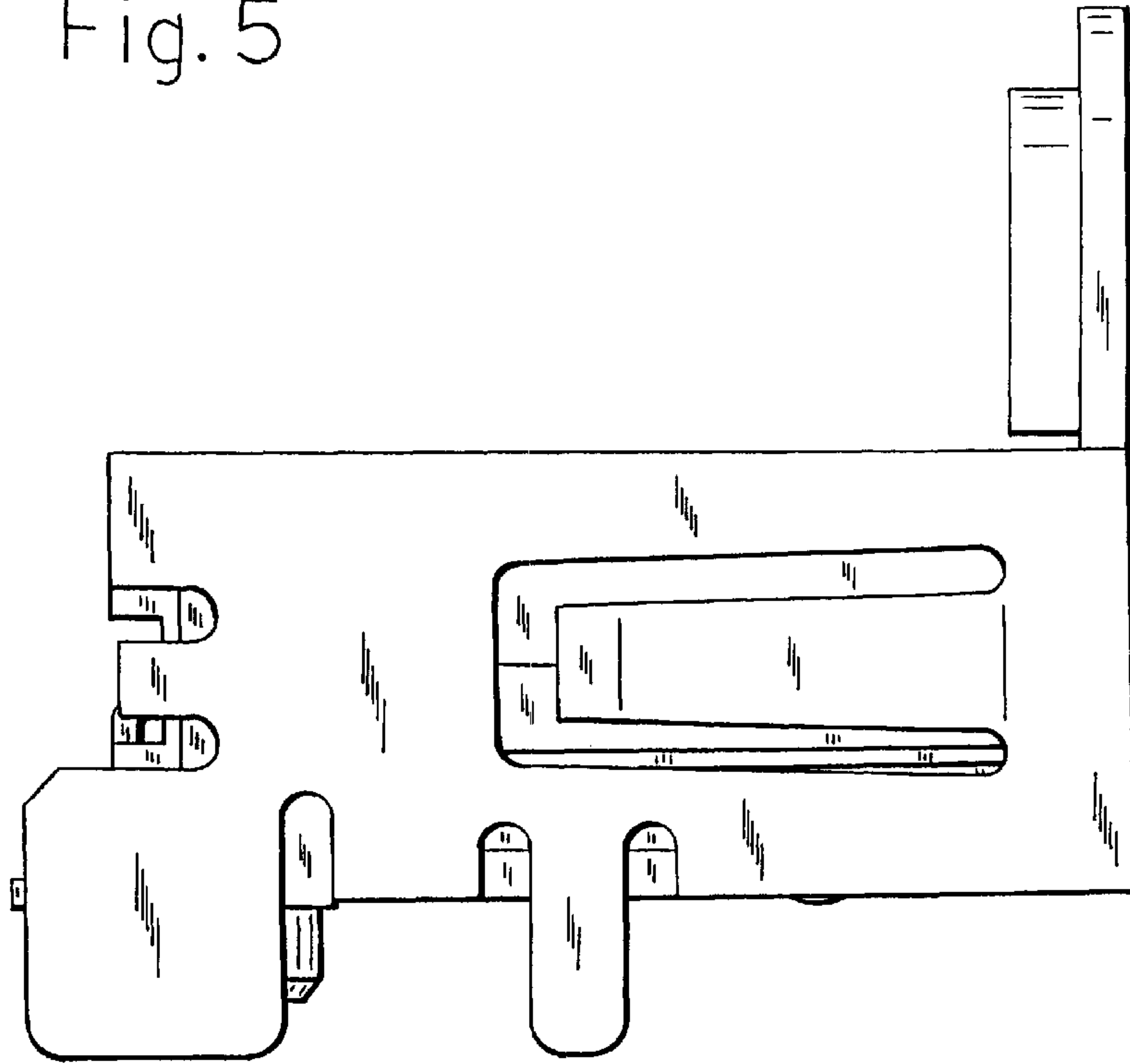


Fig. 6

