



US00D452479B1

(12) **United States Design Patent**  
**Hiramoto et al.**

(10) **Patent No.:** **US D452,479 S**

(45) **Date of Patent:** **\*\* \*Dec. 25, 2001**

(54) **CONNECTOR FOR PRINTED CIRCUIT  
BOARDS**

5,425,650 \* 6/1995 Maeda ..... 439/374  
5,857,265 \* 1/1999 Etiembre et al. .... 29/884  
6,099,356 \* 8/2000 Hwang ..... 439/660

(75) Inventors: **Masayuki Hiramoto**, Hirakata;  
**Takashi Suyama**, Amagasaki, both of  
(JP)

\* cited by examiner

*Primary Examiner*—Joel Sincavage

(73) Assignee: **J.S.T. Mfg. Co., Ltd.**, Osaka (JP)

(74) *Attorney, Agent, or Firm*—Antonelli, Terry, Stout &  
Kraus, LLP

(\* ) Notice: This patent is subject to a terminal dis-  
claimer.

(57) **CLAIM**

(\*\*) Term: **14 Years**

The ornamental design for a connector for printed circuit  
boards, as shown and described.

(21) Appl. No.: **29/132,817**

**DESCRIPTION**

(22) Filed: **Nov. 17, 2000**

(30) **Foreign Application Priority Data**

May 19, 2000 (JP) ..... 12-013304

(51) **LOC (7) Cl.** ..... **13-03**

(52) **U.S. Cl.** ..... **D13/147**

(58) **Field of Search** ..... D13/146, 147;  
439/162, 282, 378, 374, 557, 660, 680,  
733.1, 953

FIG. 1 is a top plan view;  
FIG. 2 is a front elevation;  
FIG. 3 is a rear elevation;  
FIG. 4 is a bottom plan view;  
FIG. 5 is a right-side elevation;  
FIG. 6 is a perspective view;  
FIG. 7 is a cross section taken along the line 7—7 in FIG.  
2;  
FIG. 8 is a cross section taken along the line 8—8 in FIG.  
2;  
FIG. 9 is a cross section taken along the line 9—9 in FIG.  
2; and,  
FIG. 10 is an auxiliary figure of the connector shown in use,  
in which a mating connector with fifteen electrical wire ends  
secured thereto is fitted in the subject article.

(56) **References Cited**

**U.S. PATENT DOCUMENTS**

- D. 327,252 \* 6/1992 Moriai et al. .... D13/147
- D. 362,658 \* 9/1995 Meagher et al. .... D13/147
- D. 407,688 \* 4/1999 Dague et al. .... D13/147
- 4,255,009 \* 3/1981 Clark ..... 439/398
- 4,596,436 \* 6/1986 Kraemer et al. .... 439/701
- 4,979,910 \* 12/1990 Revil et al. .... 439/357
- 4,984,998 \* 1/1991 Duncan et al. .... 439/352

The broken lines showing the mating connector and the  
electrical wire ends in FIG. 10 are included for the purpose  
of illustrating environmental structure only and form no part  
of the claimed design.

**1 Claim, 2 Drawing Sheets**

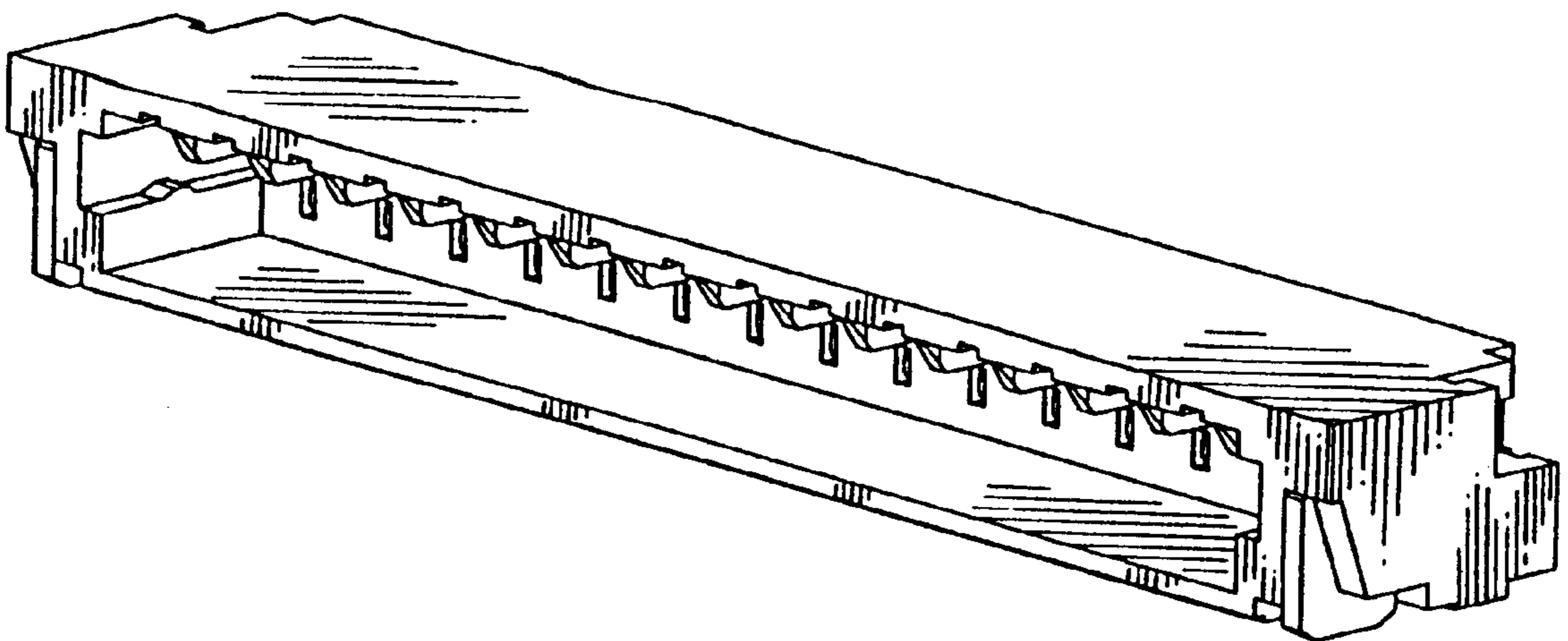


Fig. 1

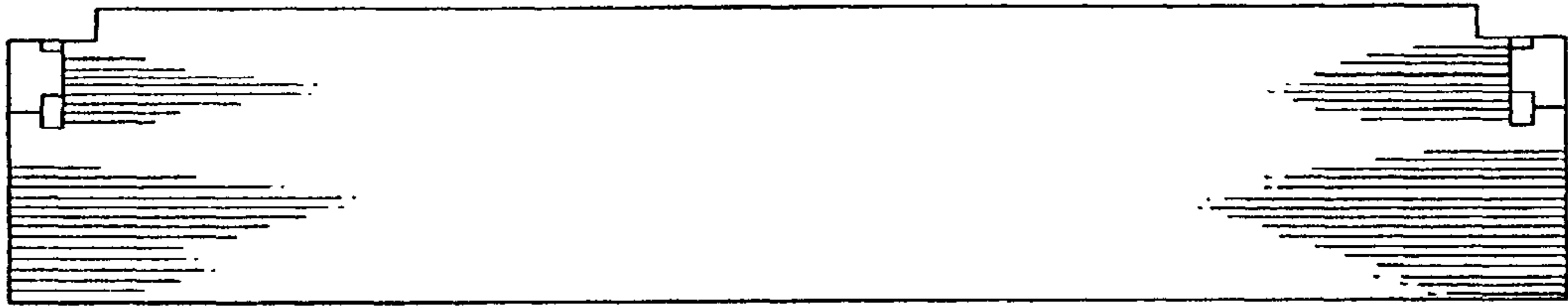


Fig. 2

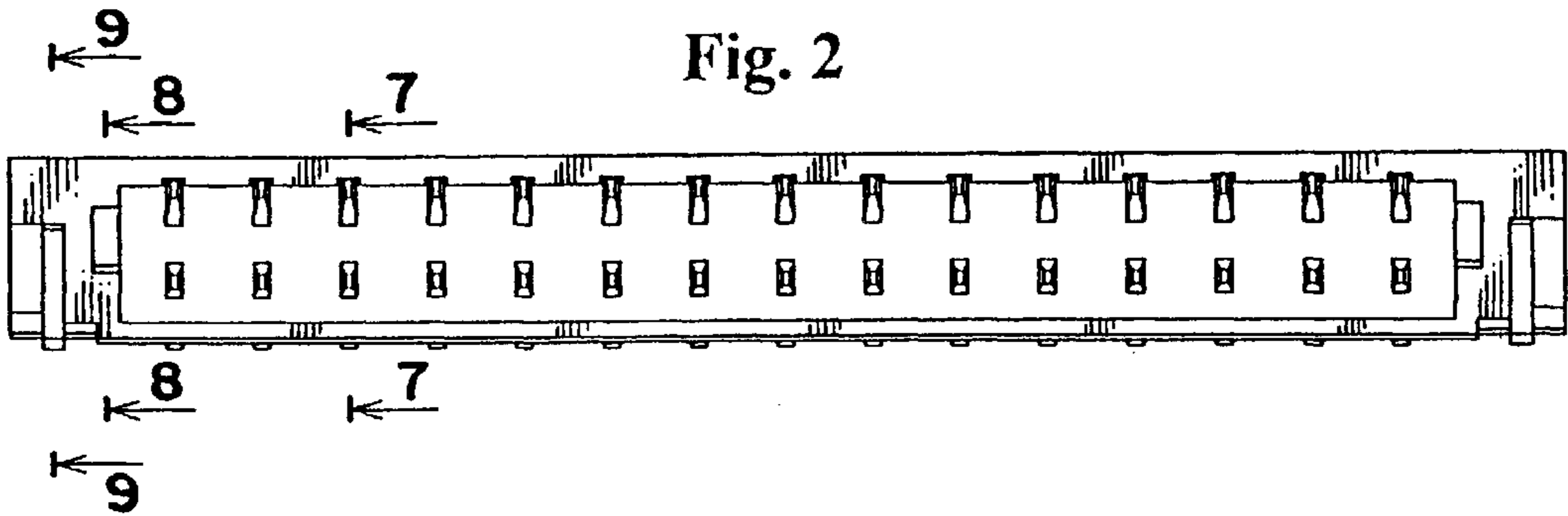


Fig. 3

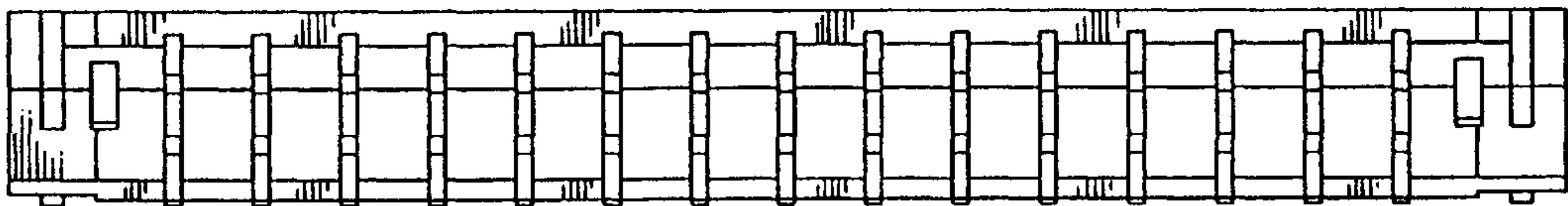


Fig. 4

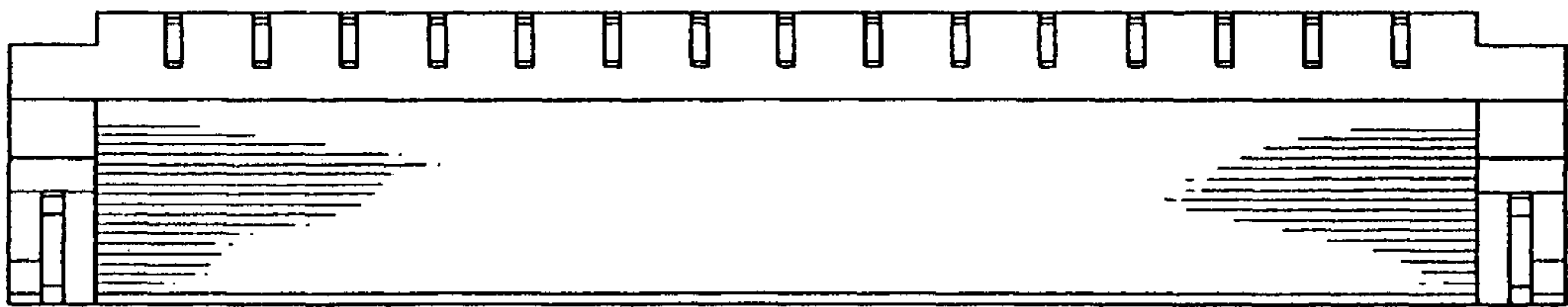


Fig. 5



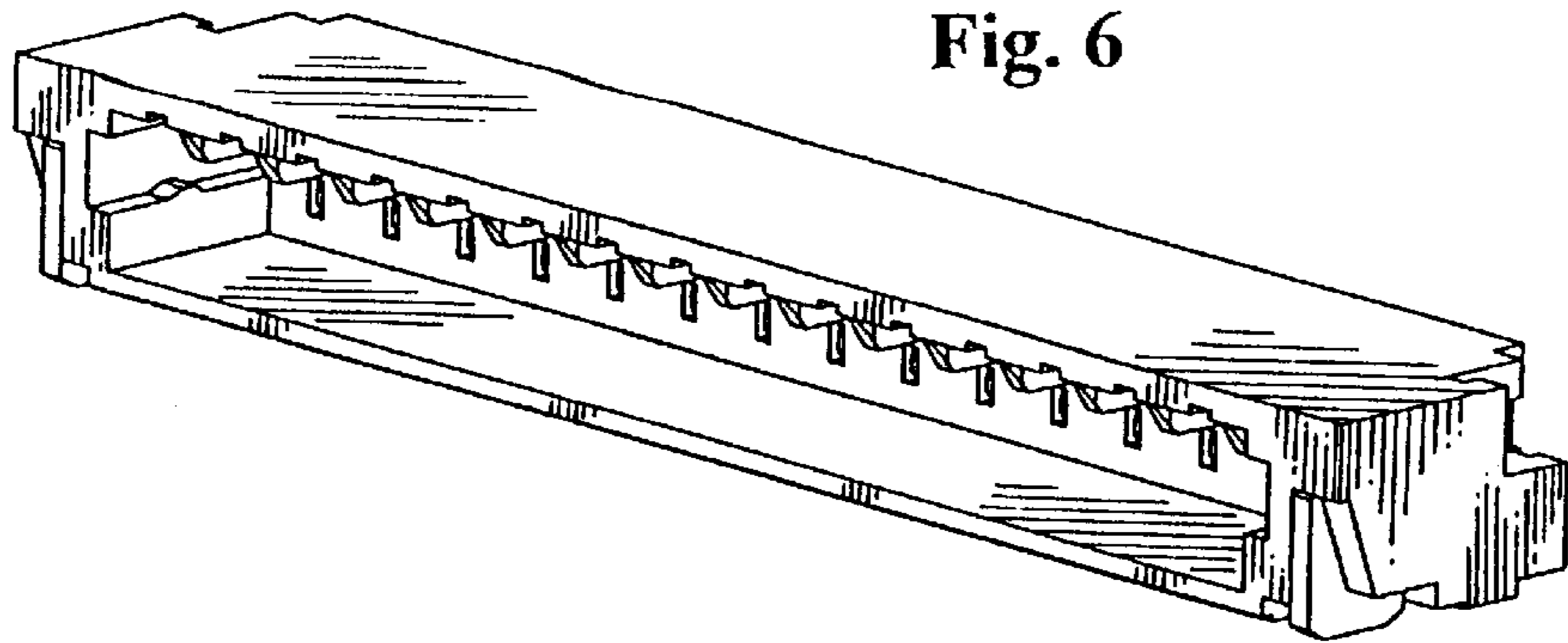


Fig. 6

Fig. 7

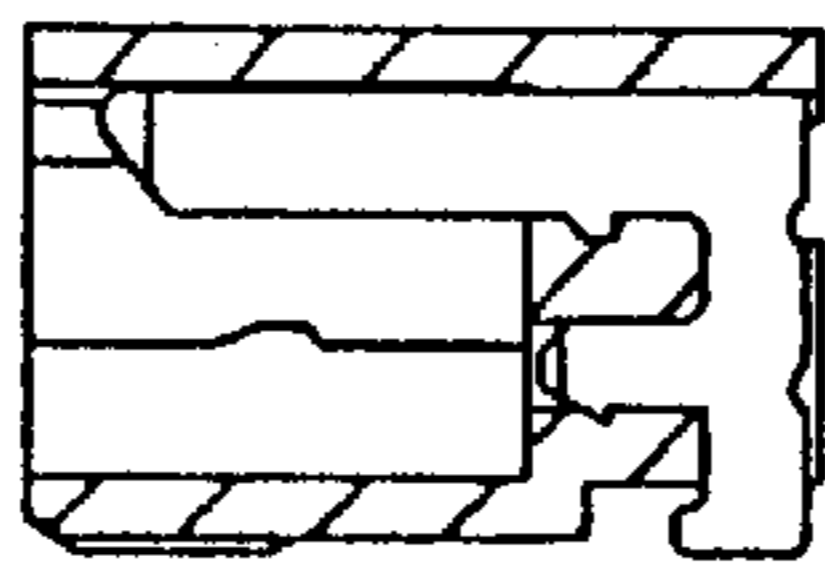


Fig. 8

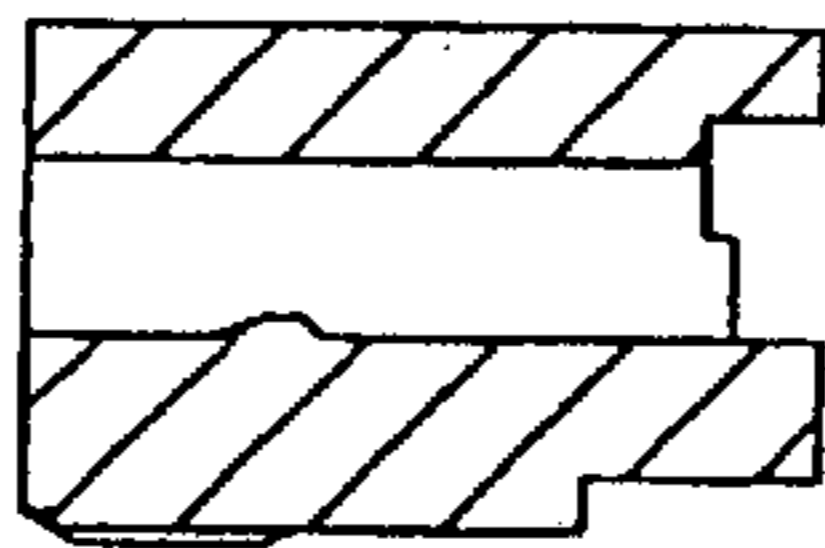


Fig. 9

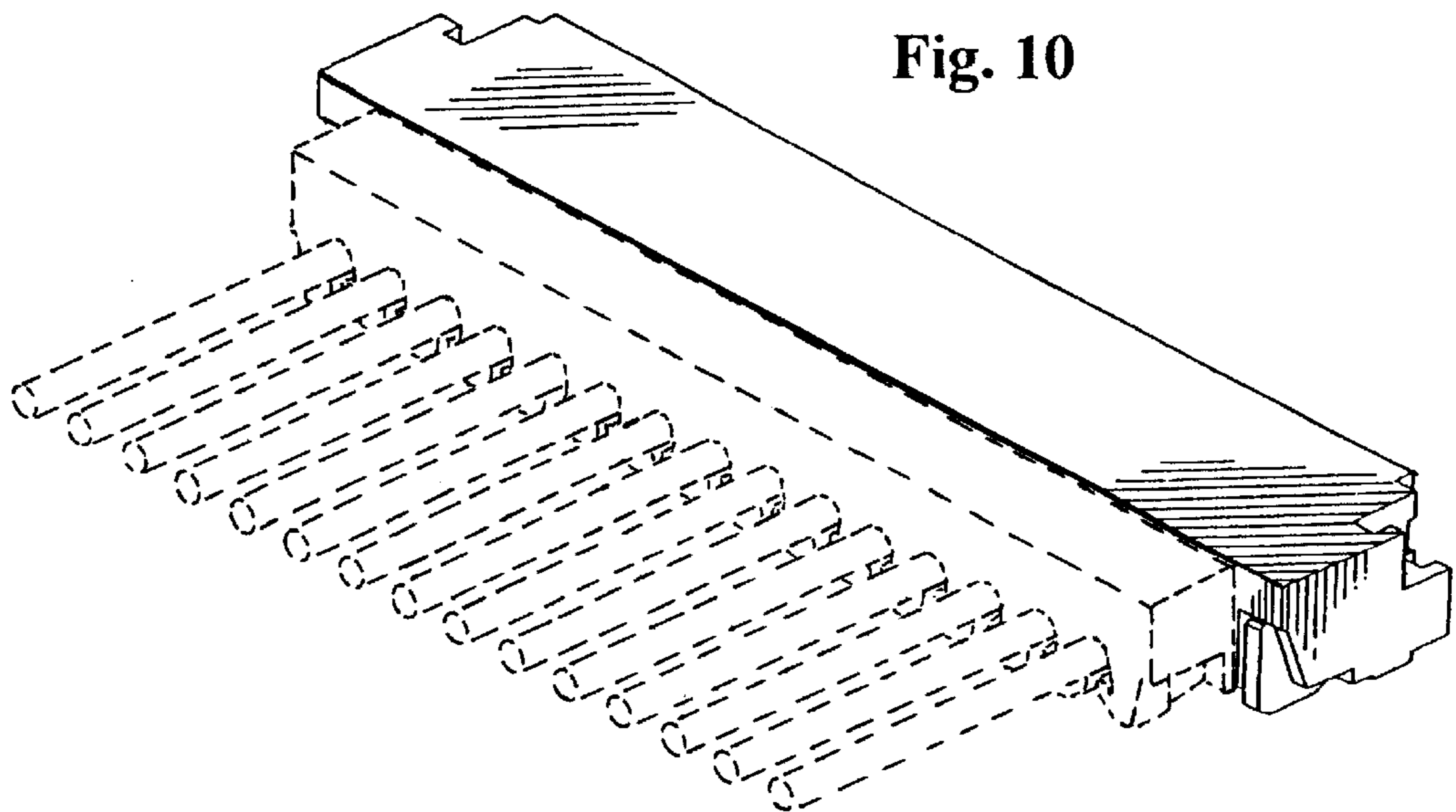
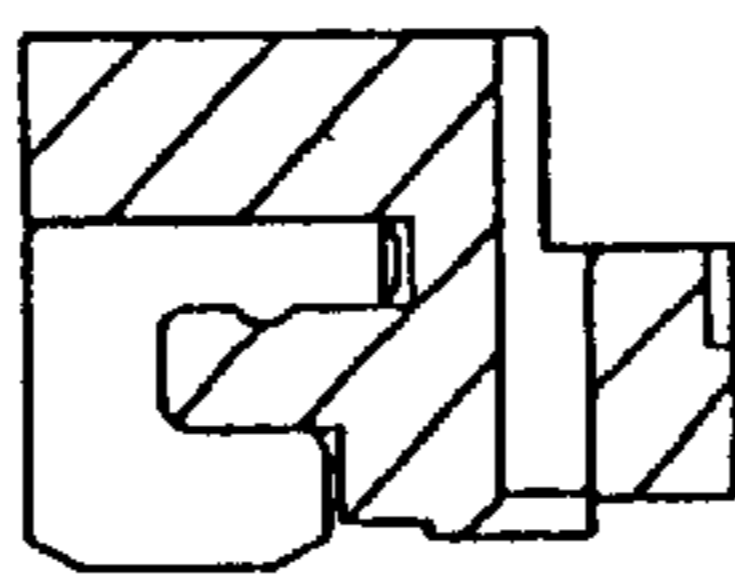


Fig. 10