



US00D452476B1

(12) **United States Design Patent**
Chow et al.

(10) **Patent No.:** **US D452,476 S**

(45) **Date of Patent:** **** Dec. 25, 2001**

(54) **BATTERY COVER**

5,549,986 * 8/1996 Heiman et al. 429/175
5,561,001 * 10/1996 Gurtler et al. 429/86

(75) Inventors: **Choon Kim Chow**, Kuala Lumpur;
Tsan Kim Chaw, Selangor, both of
(MY)

* cited by examiner

Primary Examiner—Joel Sincavage

(73) Assignee: **Tai Kwong-Yokohama Battery**
Industries SDN. BHD, Selangor Darul
Ehsan (MY)

(74) *Attorney, Agent, or Firm*—Pennie & Edmonds LLP

(**) Term: **14 Years**

(57) **CLAIM**

The ornamental design for a battery cover, as shown and described.

(21) Appl. No.: **29/117,272**

DESCRIPTION

(22) Filed: **Jan. 21, 2000**

(30) **Foreign Application Priority Data**

Jul. 21, 1999 (GB) 2085161

(51) **LOC (7) Cl.** **13-02**

(52) **U.S. Cl.** **D13/119**

(58) **Field of Search** D13/119; 429/82,
429/84, 138, 163, 175, 177

FIG. 1 is a top view of the battery cover, with sub-covers in place, of the present invention;

FIG. 2 is an end view thereof, the opposite end view being the mirror image of FIG. 2;

FIG. 3 is a front side view thereof;

FIG. 4 is a back side view thereof;

FIG. 5 is a top view of one of the sub-covers shown in FIG. 1, the other subcover being identical in all views;

FIG. 6 is a bottom view of the sub-cover shown in FIG. 5;

FIG. 7 is a side view of the sub-cover shown in FIG. 5, the other side view being the mirror image of FIG. 7;

FIG. 8 is an end view of the sub-cover shown in FIG. 5, the other end view being the mirror image of FIG. 8;

FIG. 9 is a top view of the battery cover of FIG. 1 with the sub-covers of FIG. 5 removed; and,

FIG. 10 is a bottom view of the battery cover of FIG. 1.

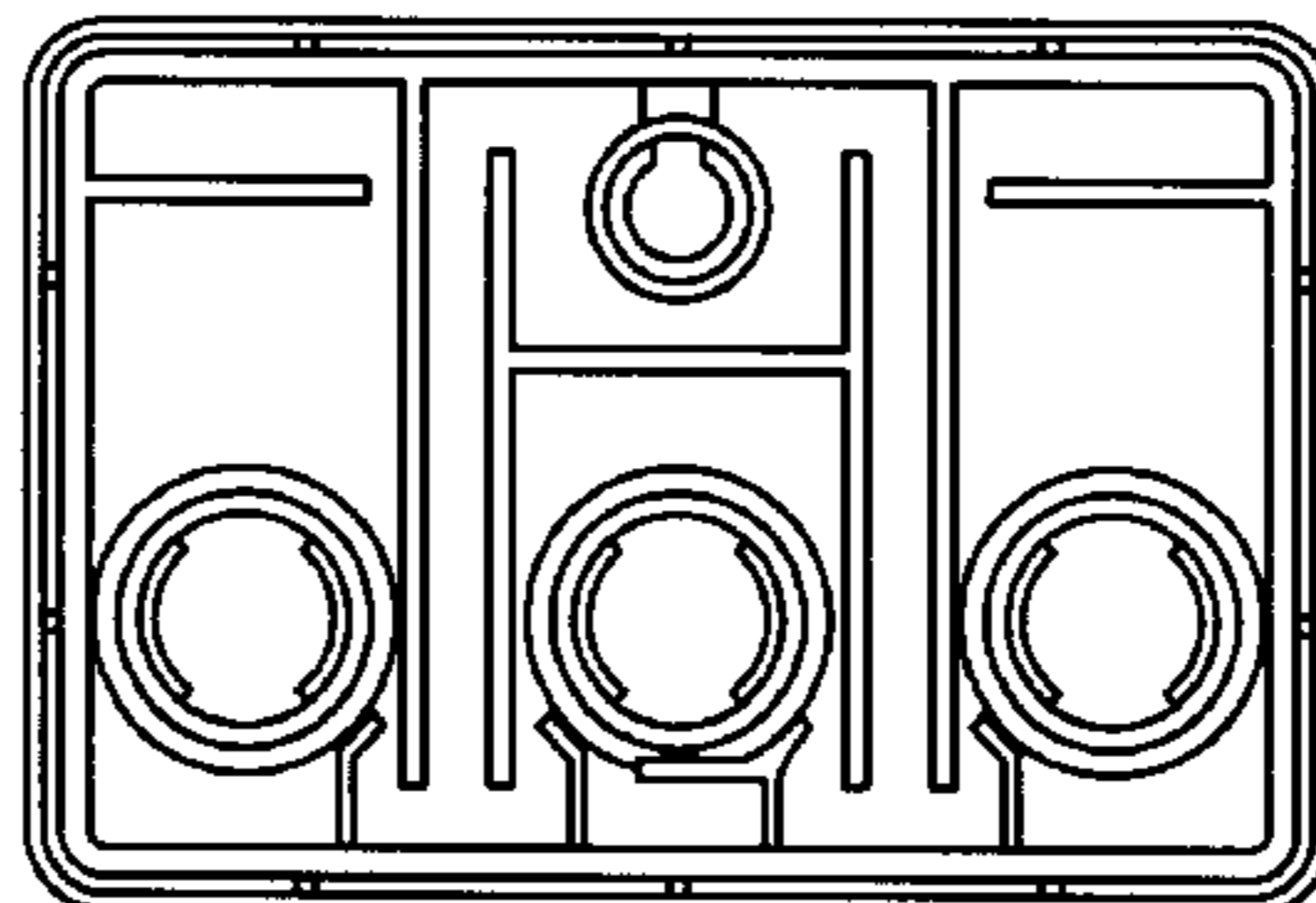
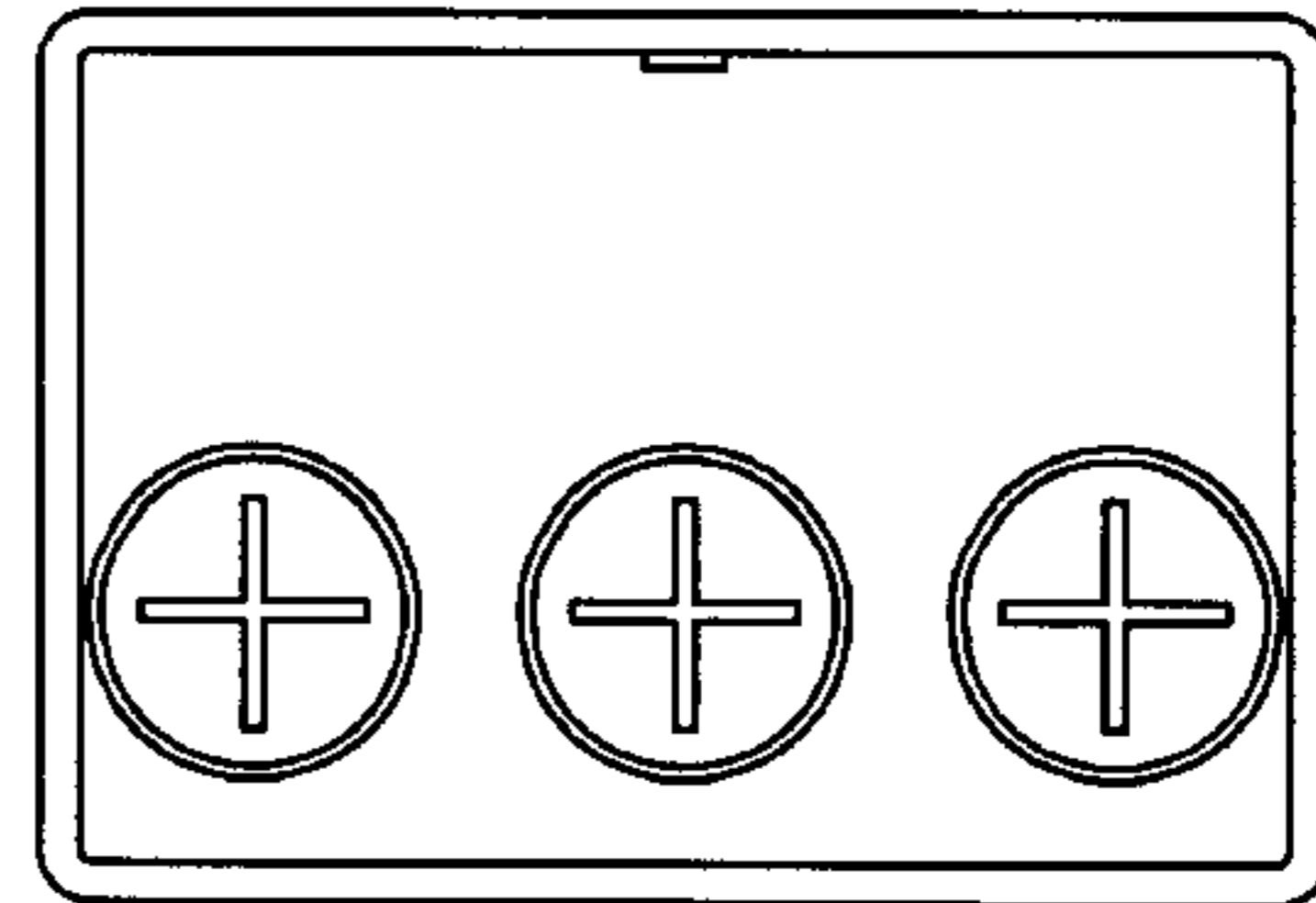
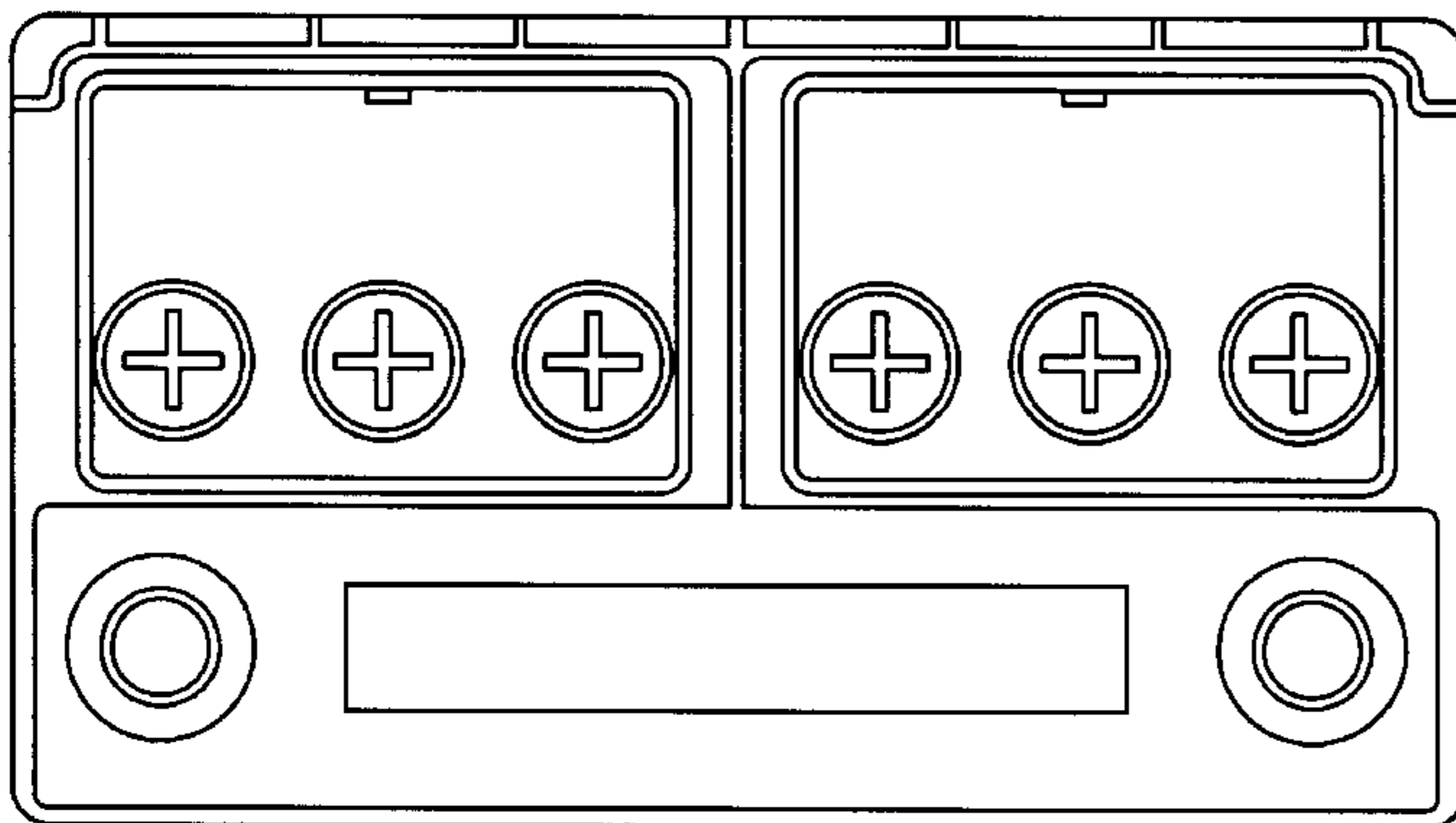
The claimed design is embodied in the collective appearance of the cover and the sub-covers. One of the sub-covers is shown separately in FIGS. 5–8 and the cover is shown separately in FIG. 9 in order to disclose aspects of the design that are not apparent from the assembled views.

(56) **References Cited**

U.S. PATENT DOCUMENTS

D. 239,450	*	4/1976	Hennen	D13/119
D. 286,872	*	11/1986	Beidler	D13/119
D. 299,639	*	1/1989	Anderson et al.	D13/119
D. 352,498	*	11/1994	Beidler et al.	D13/119
D. 428,852	*	8/2000	Klutt	D13/119
D. 444,766	*	7/2001	Chow et al.	D13/119
4,306,002	*	12/1981	Heiser et al.	429/84
4,403,019	*	9/1983	Poe	429/82 X
5,278,003	*	1/1994	Francisco	429/175
5,284,720	*	2/1994	Thuerk et al.	439/87
5,424,146	*	6/1995	Lin	429/84

1 Claim, 5 Drawing Sheets



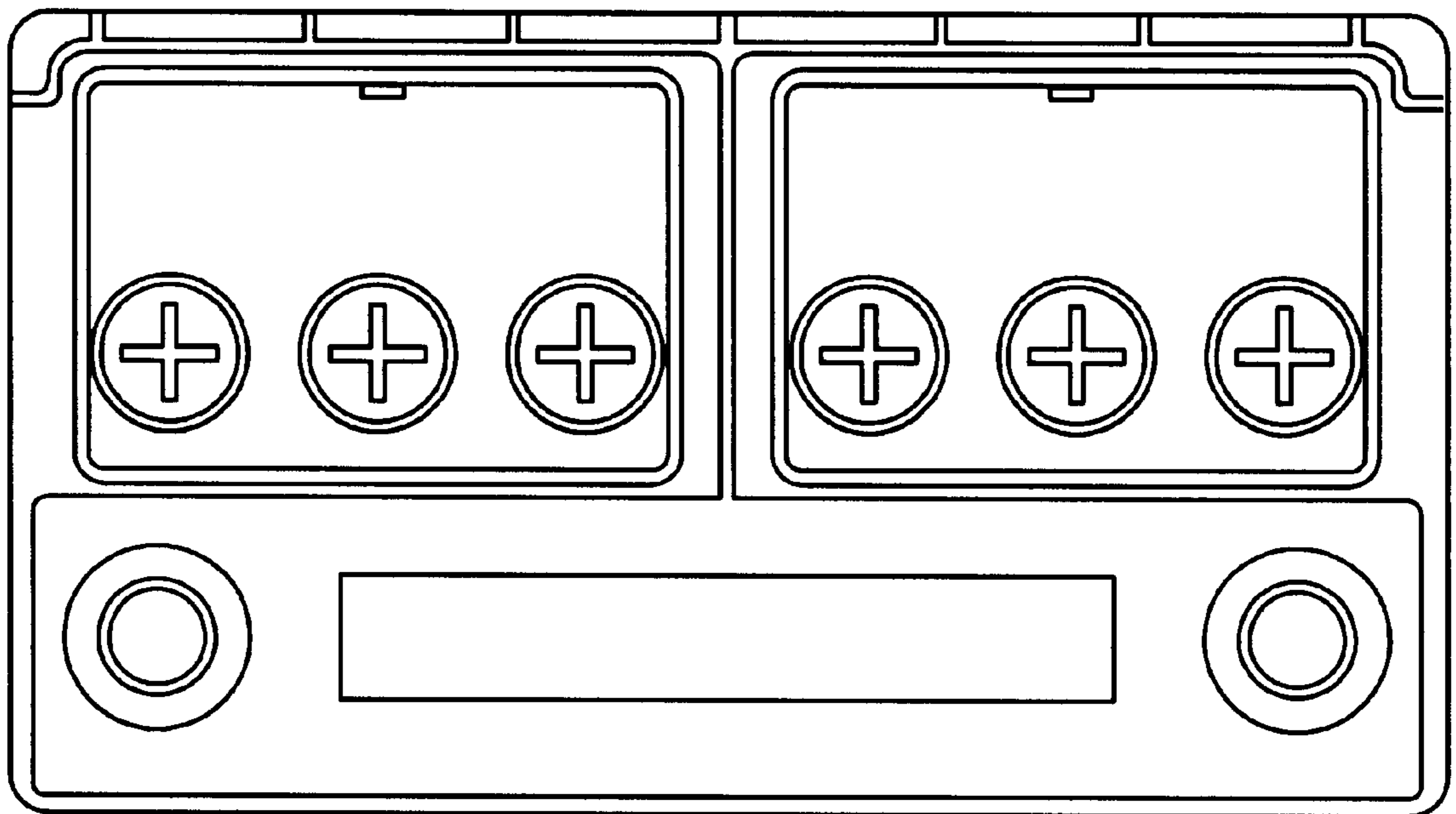


Fig. 1

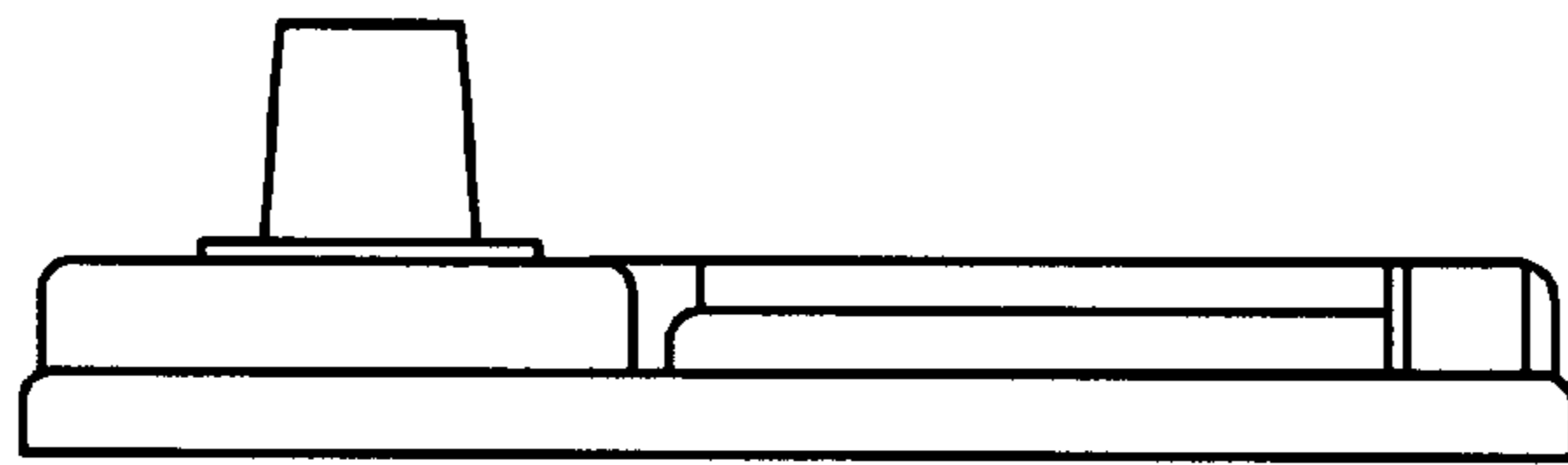


Fig. 2

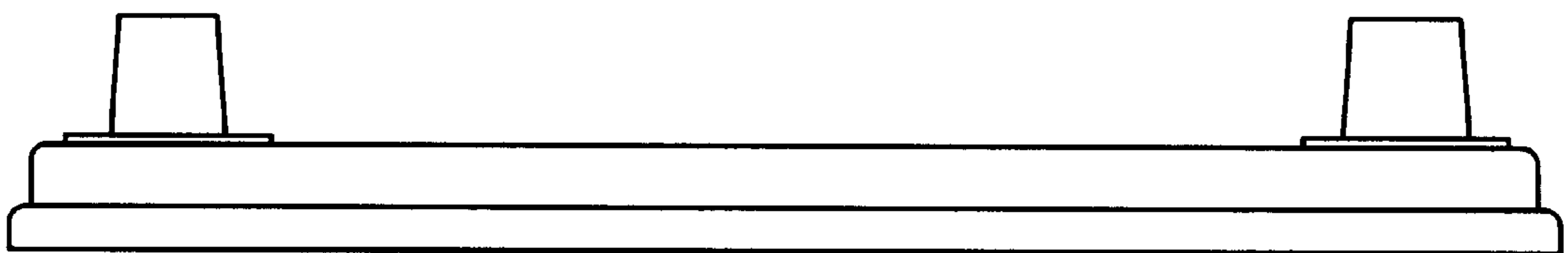


Fig. 3

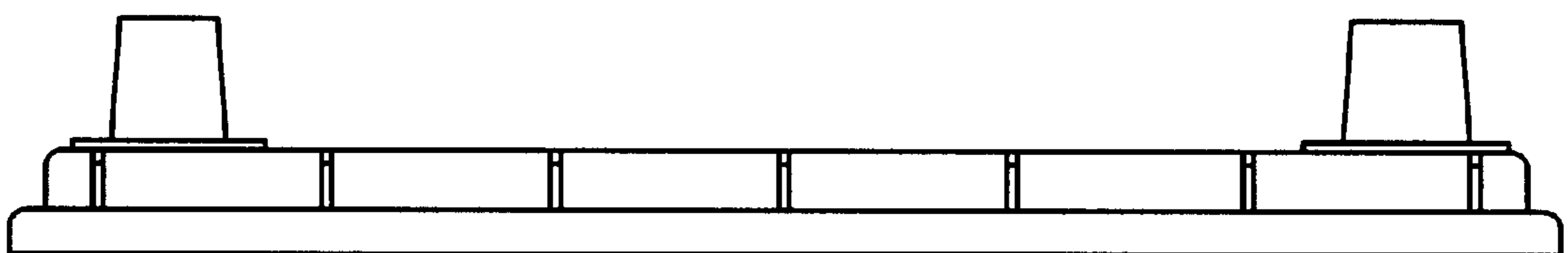


Fig. 4

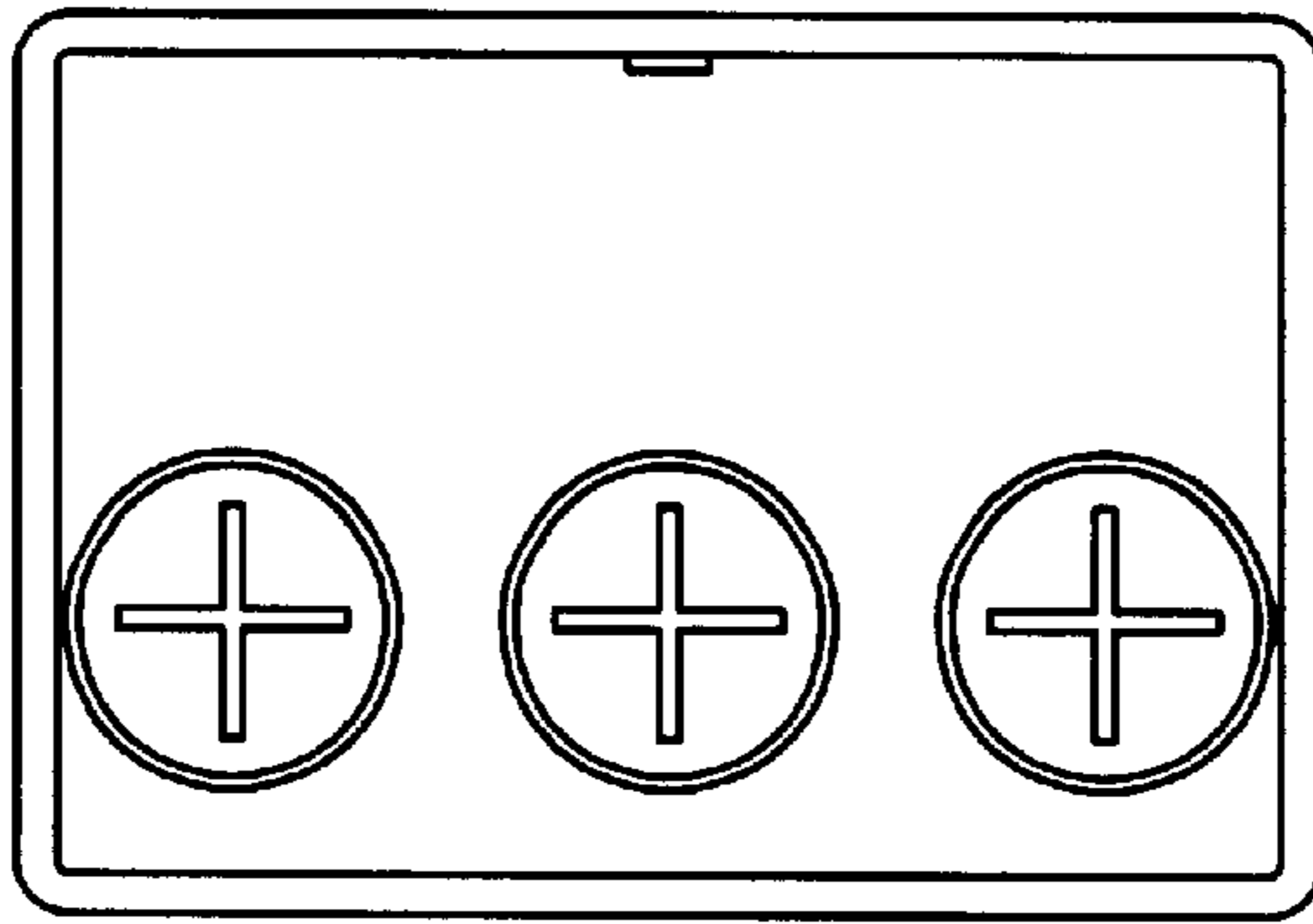


Fig. 5

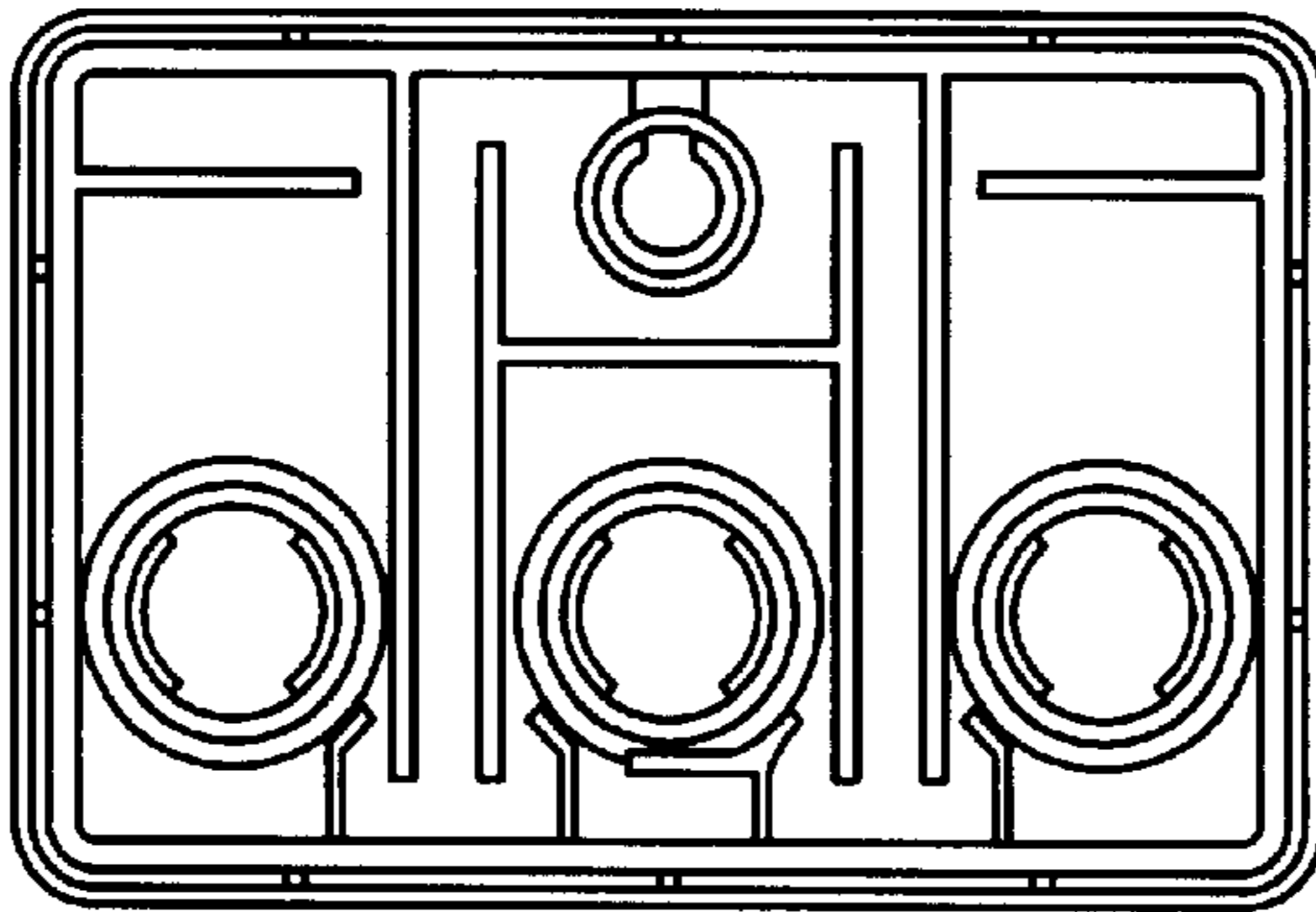


Fig. 6

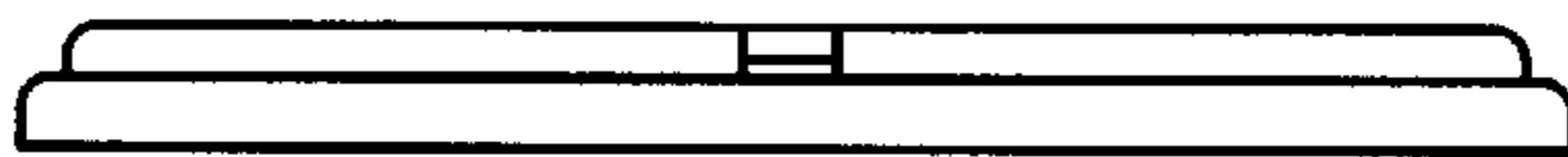


Fig. 7

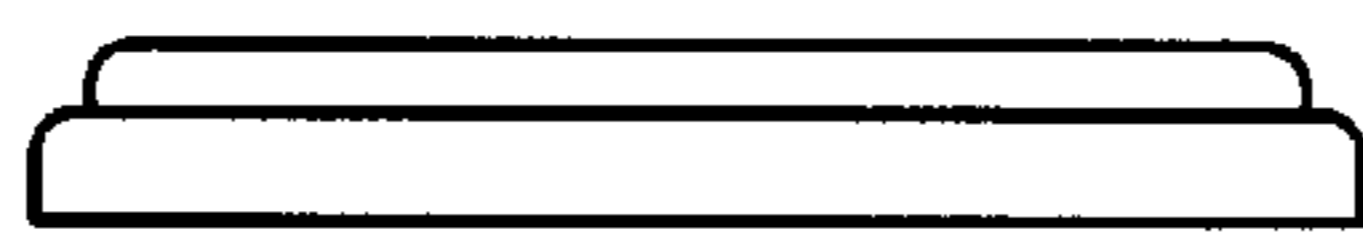


Fig. 8

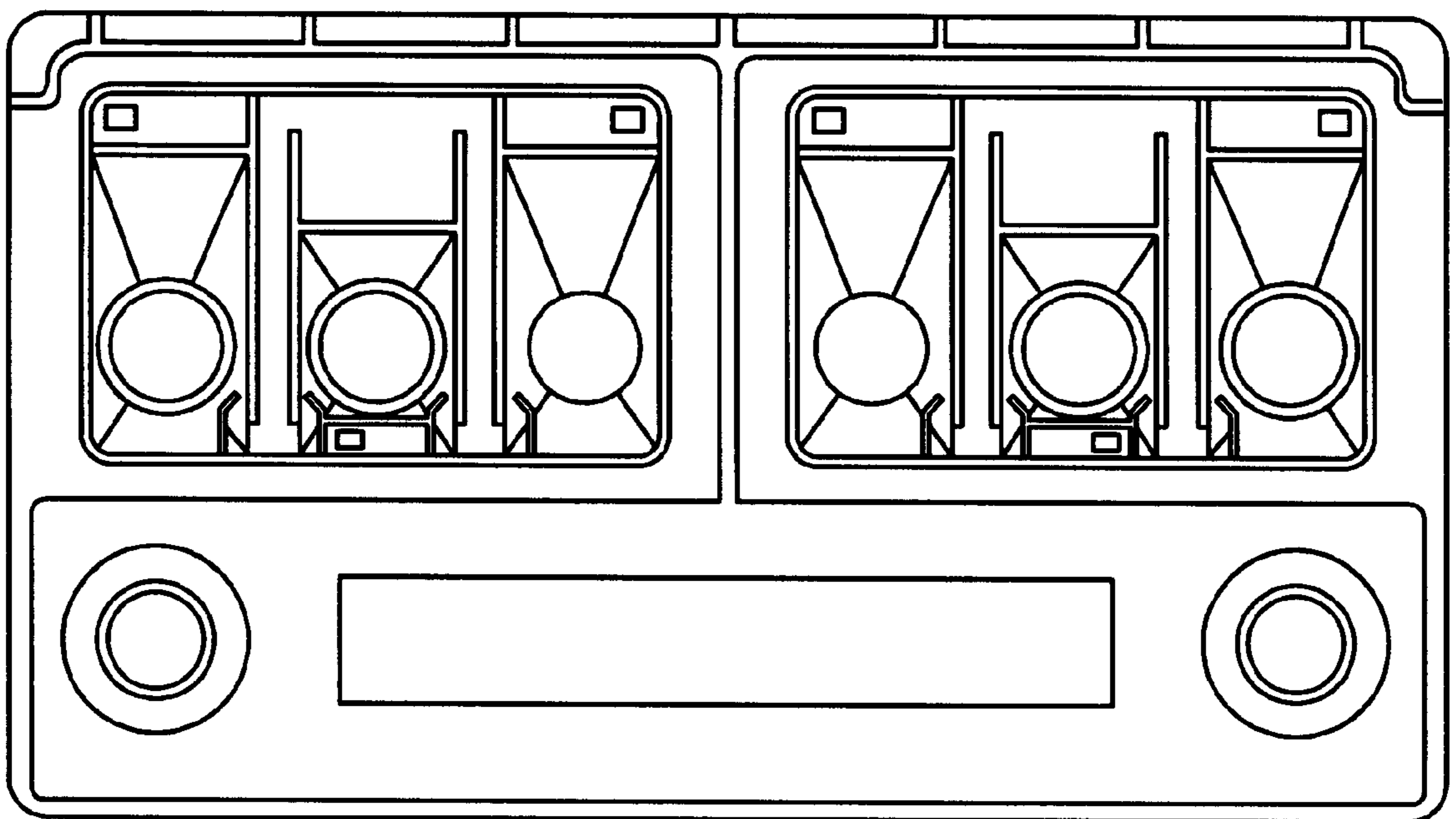


Fig. 9

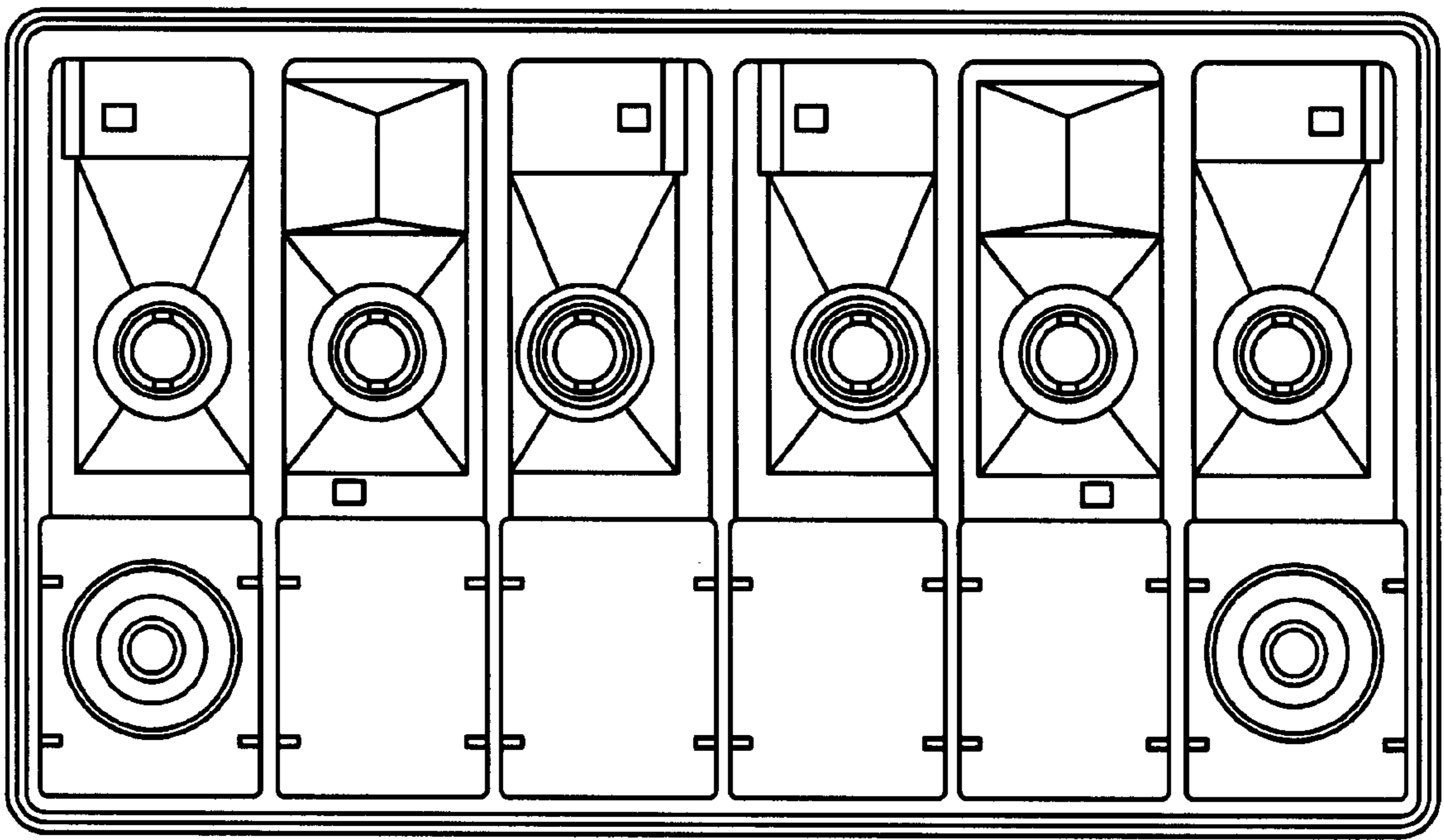


Fig. 10