



US00D452471B1

(12) **United States Design Patent**
Hoareau

(10) **Patent No.:** **US D452,471 S**

(45) **Date of Patent:** **** Dec. 25, 2001**

(54) **PLOUGH ANCHOR**

5,353,732 * 10/1994 Gramet et al. 114/304

* cited by examiner

(76) Inventor: **Desire Dominique Hoareau**, 67 Peel
Street, Mandurah, Western Australia
(AU), 6210

Primary Examiner—Kay H. Chin
(74) *Attorney, Agent, or Firm*—Dougherty & Clements
LLP

(**) Term: **14 Years**

(57) **CLAIM**

(21) Appl. No.: **29/117,443**

The ornamental design for a plough anchor, as shown and
described.

(22) Filed: **Jan. 21, 2000**

(51) **LOC (7) Cl.** **12-16**

DESCRIPTION

(52) **U.S. Cl.** **D12/215**

FIG. 1 is an upper perspective view of a plough anchor
showing my new design;

(58) **Field of Search** D12/215; 114/294,
114/297, 298, 299, 301, 302, 304, 310

FIG. 2 is a lower perspective view thereof;

FIG. 3 is a front view thereof;

FIG. 4 is a rear view thereof;

FIG. 5 is a side view thereof;

FIG. 6 is a top plan view thereof; and,

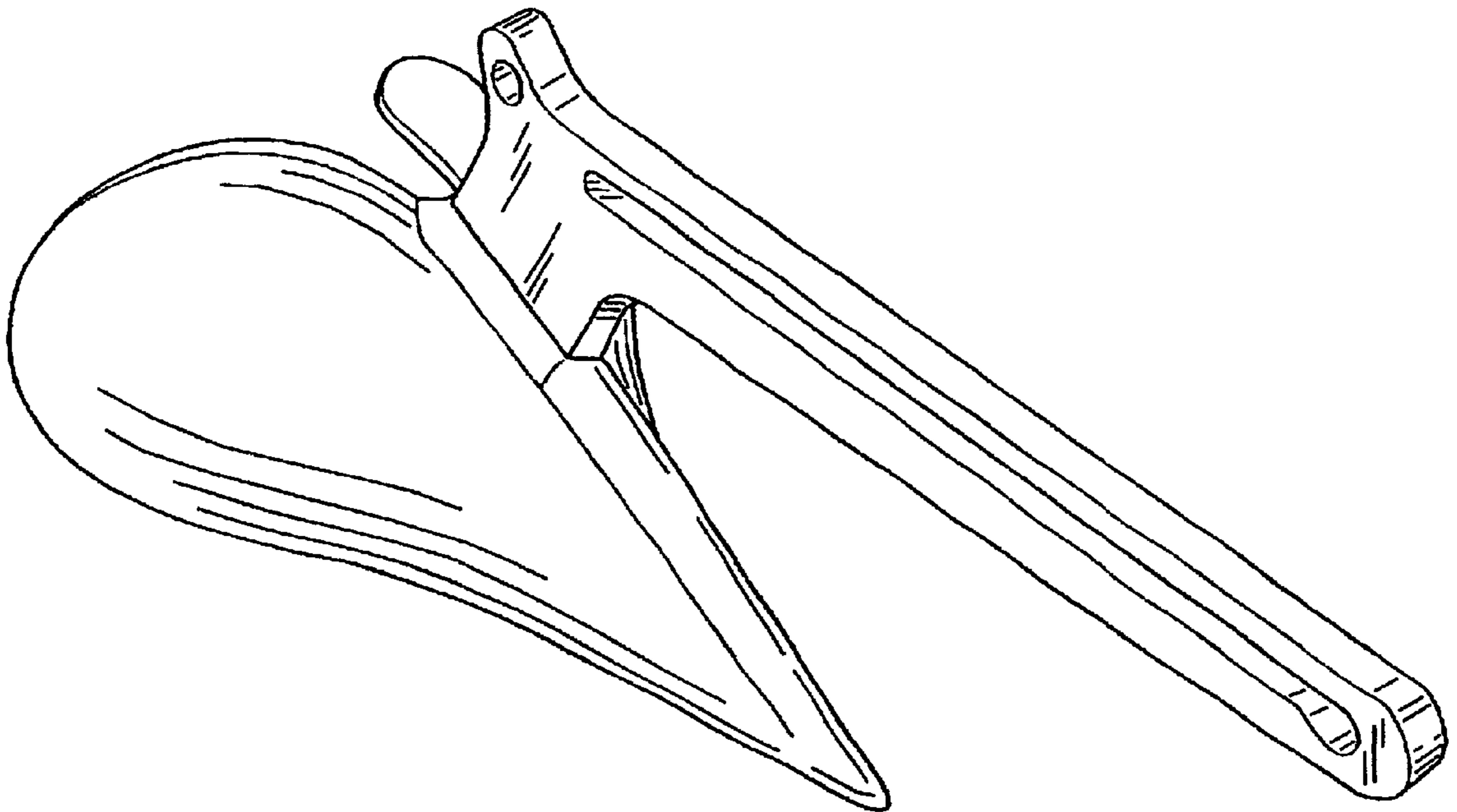
FIG. 7 is a bottom plan view thereof.

(56) **References Cited**

U.S. PATENT DOCUMENTS

- D. 347,206 * 5/1994 Smith D12/215
- 5,095,842 * 3/1992 Soules 114/299
- 5,188,055 * 2/1993 Kershner 114/299

1 Claim, 3 Drawing Sheets



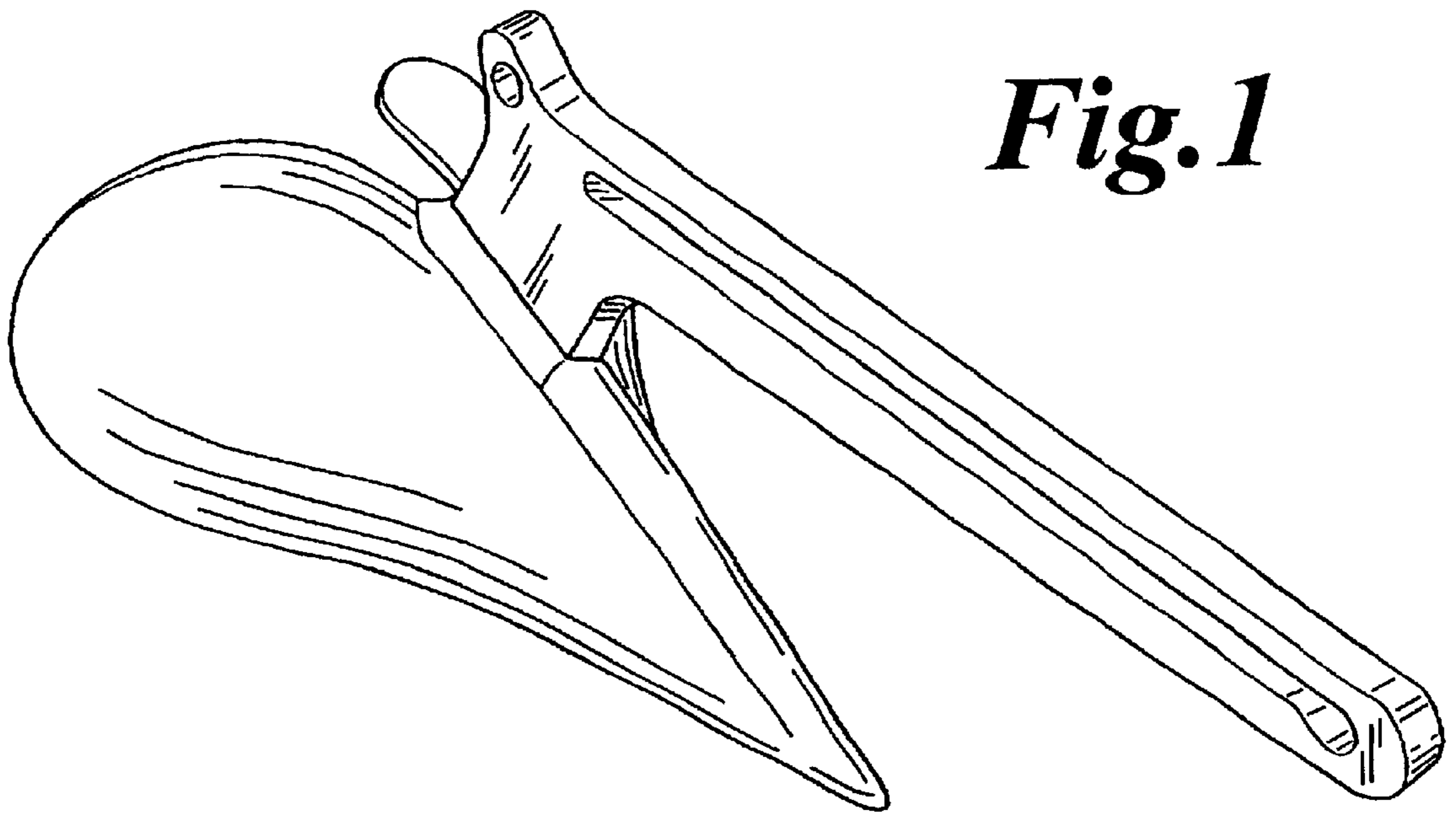


Fig. 1

Fig. 2

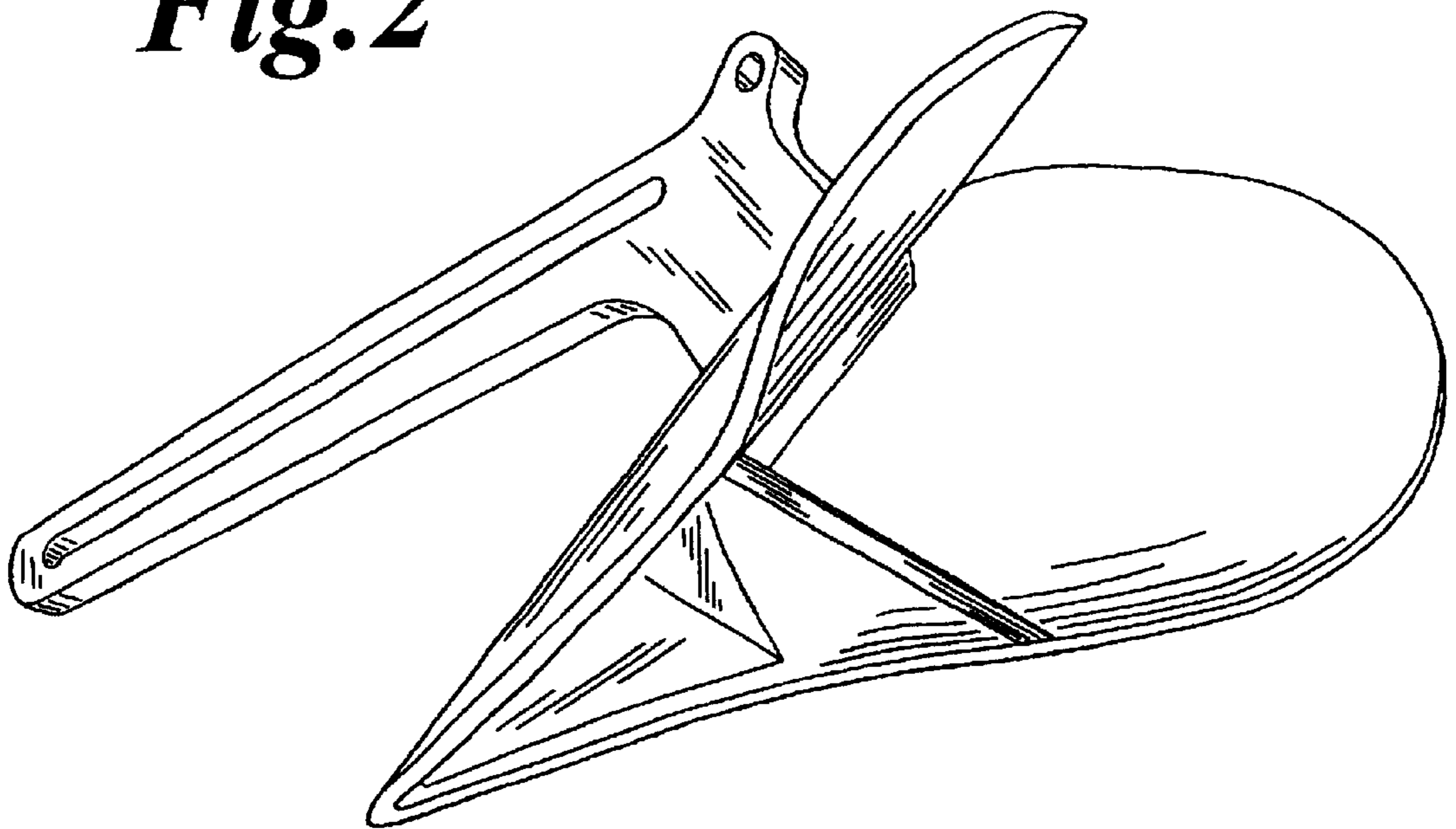


Fig.3

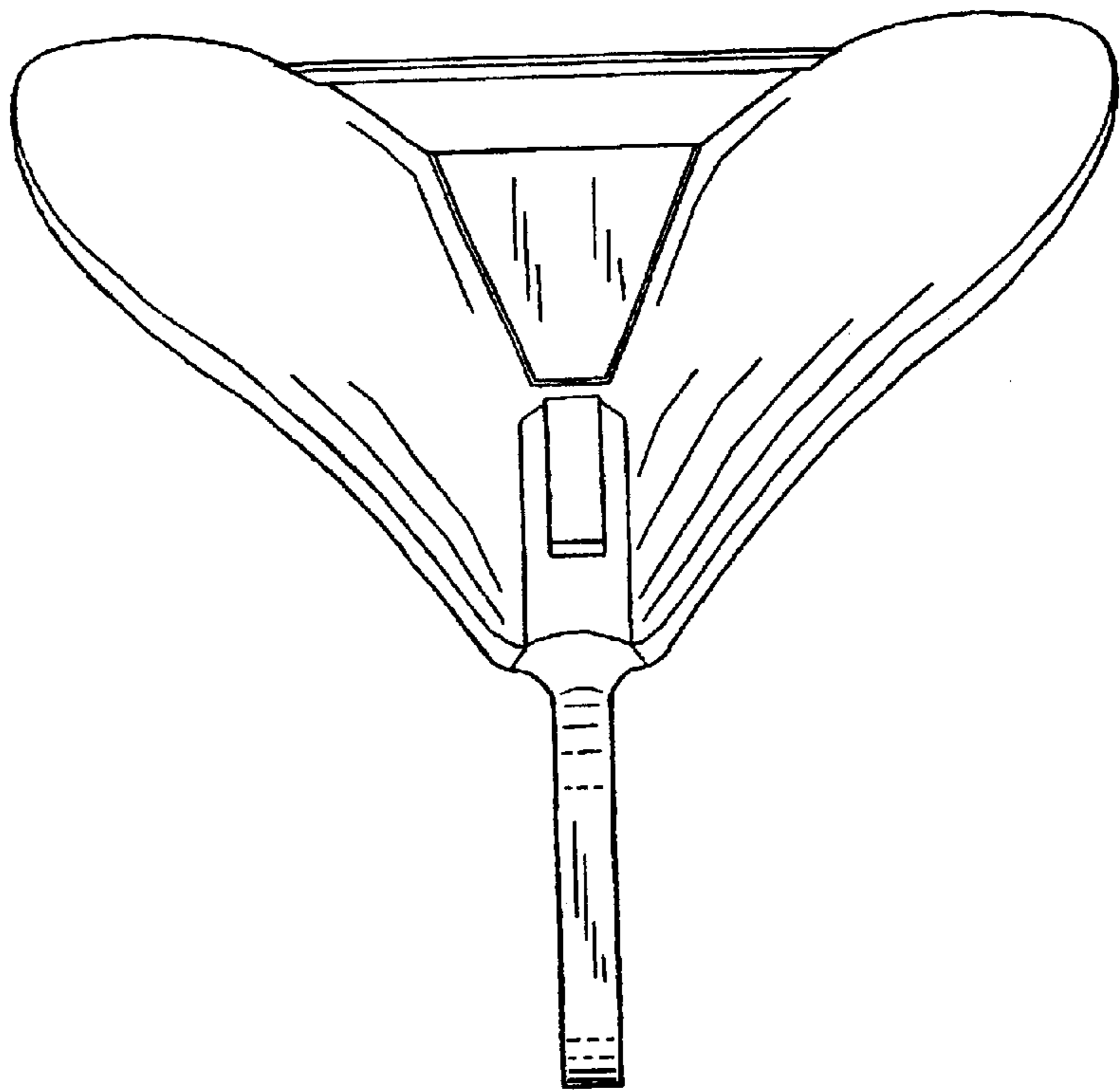
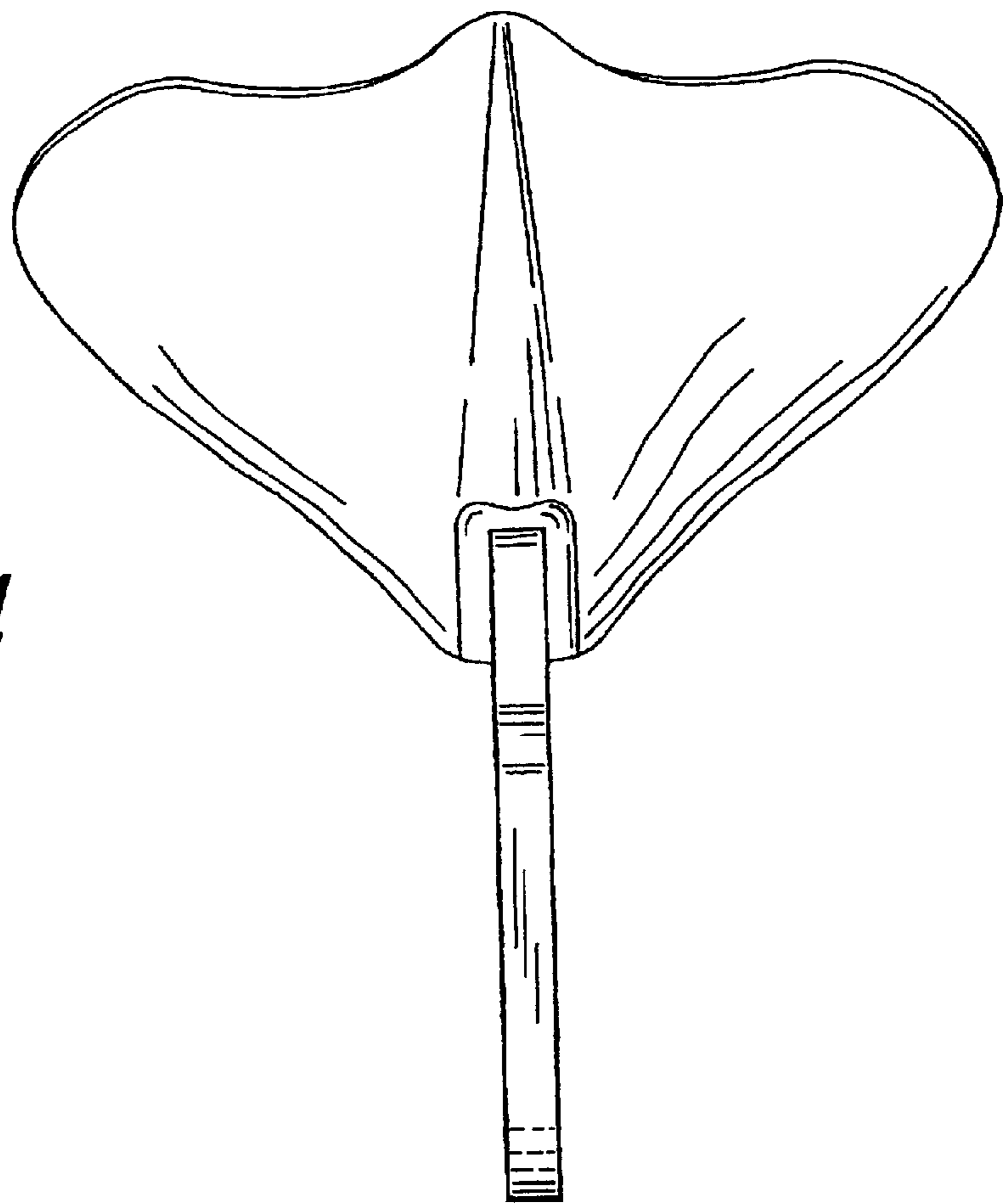


Fig.4



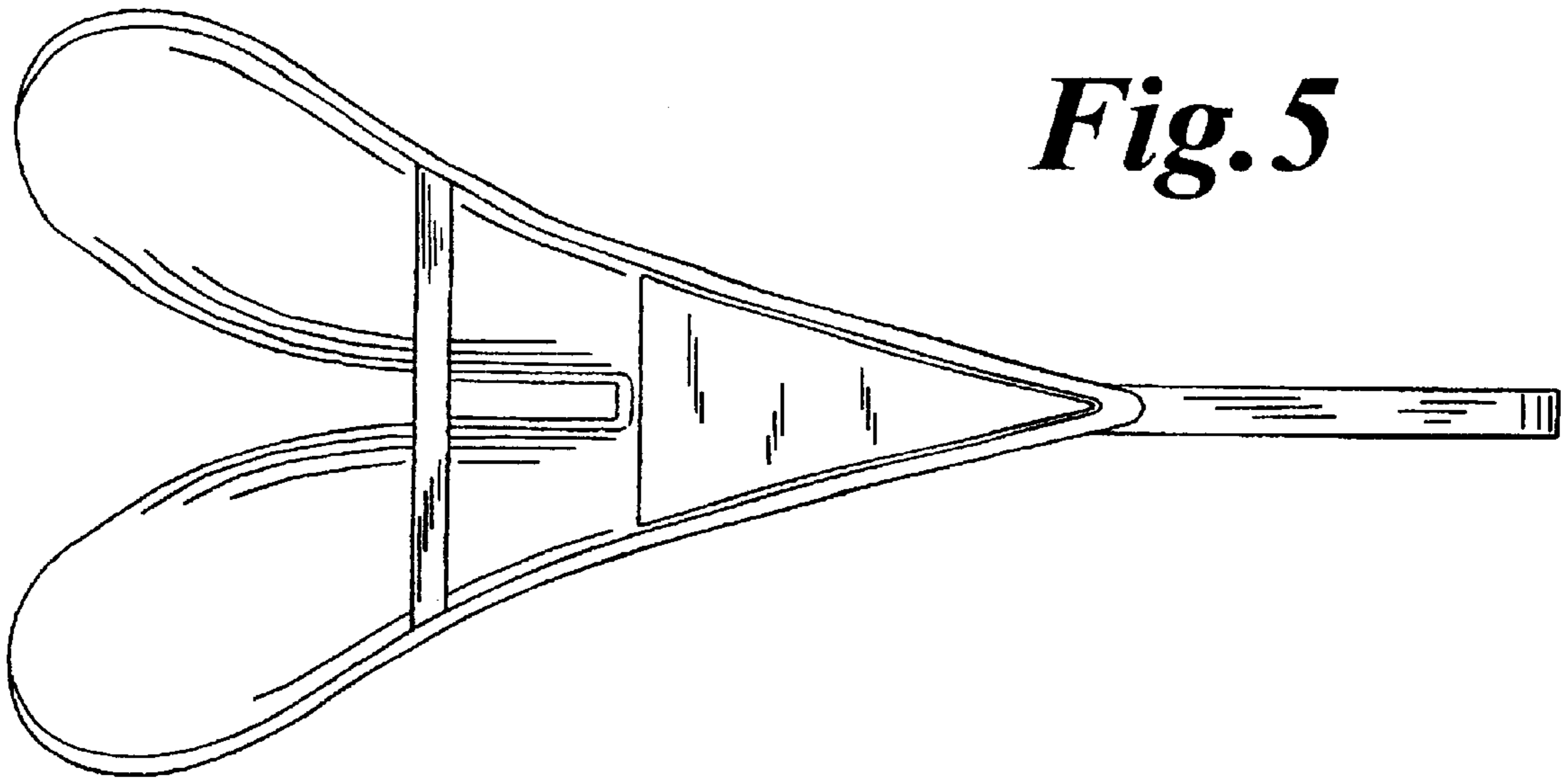


Fig. 5

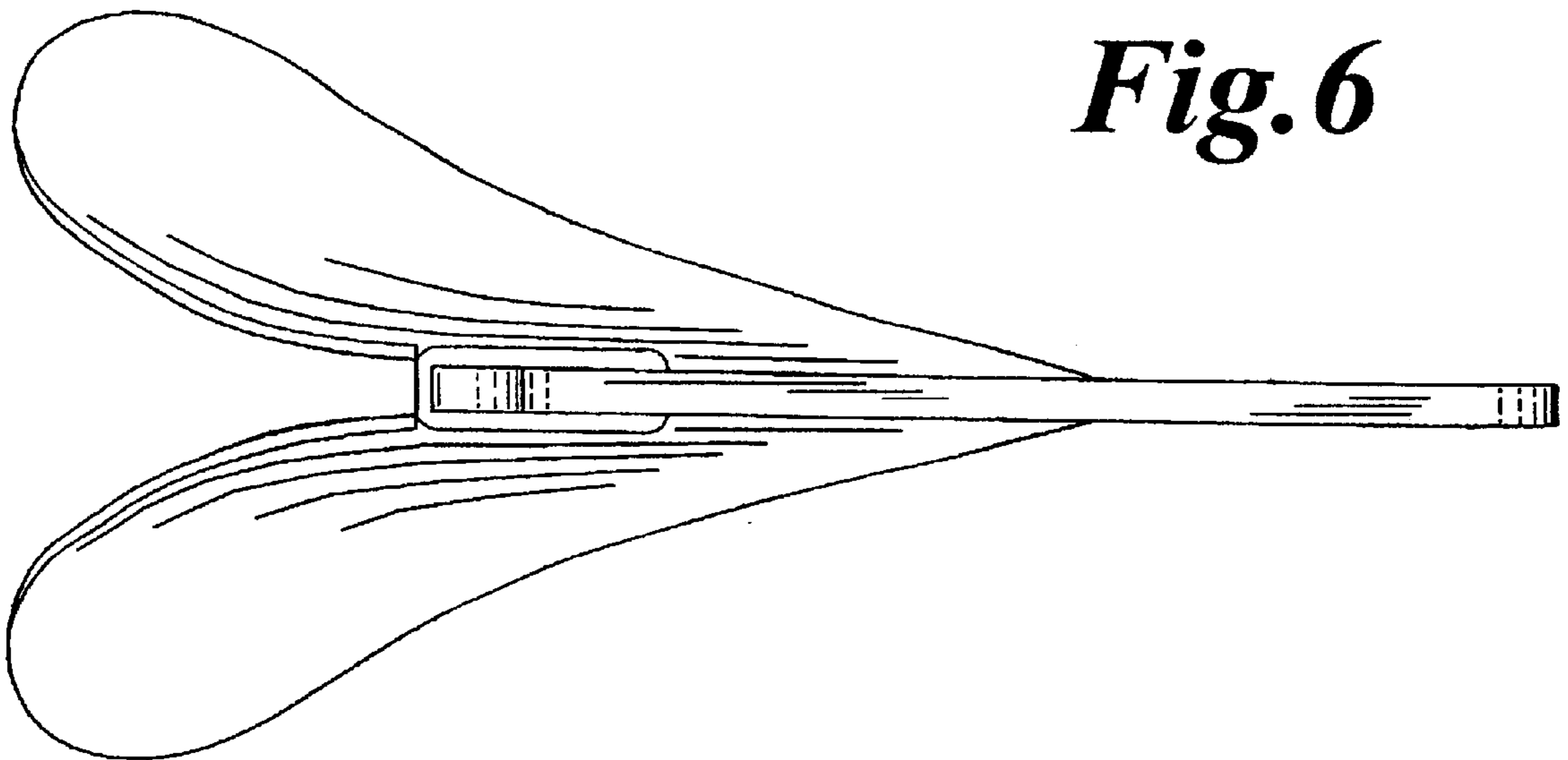


Fig. 6

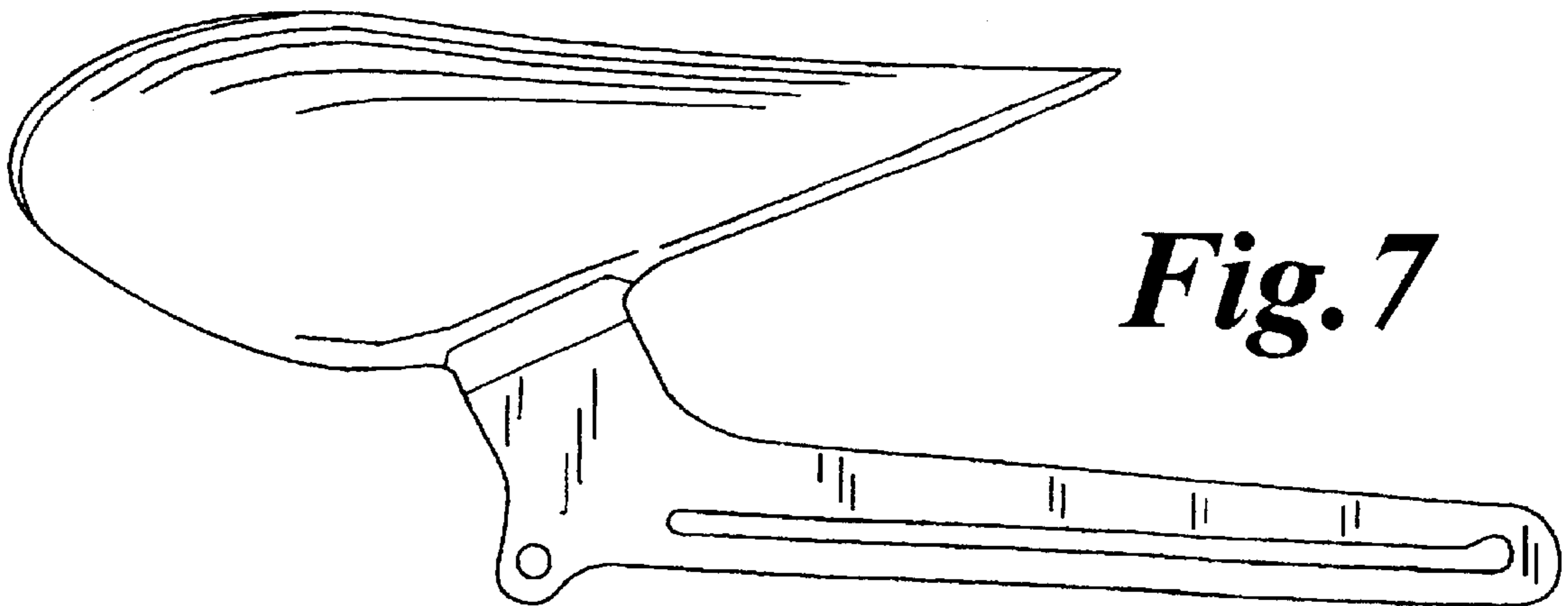


Fig. 7