



US00D452462B1

(12) **United States Design Patent**  
**Lan**

(10) **Patent No.:** **US D452,462 S**

(45) **Date of Patent:** **\*\* Dec. 25, 2001**

(54) **FOLDABLE STROLLER FRAME**

(76) Inventor: **Red Lan**, 15F, No. 108, Sec. 1,  
Hsin-Tai 5th Rd., Hsichih, Taipei Hsien  
(TW)

(\*\*) Term: **14 Years**

(21) Appl. No.: **29/129,373**

(22) Filed: **Sep. 12, 2000**

(51) **LOC (7) Cl.** ..... **12-12**

(52) **U.S. Cl.** ..... **D12/129**

(58) **Field of Search** ..... D12/128-133;  
280/30, 47.37, 642-658

(56) **References Cited**

**U.S. PATENT DOCUMENTS**

- D. 419,493 \* 1/2000 Flannery et al. .... D12/129
- D. 444,738 \* 7/2001 Zan ..... D12/129
- 5,215,320 \* 6/1993 Chen ..... D12/129

\* cited by examiner

*Primary Examiner*—Marcus A. Jackson  
(74) *Attorney, Agent, or Firm*—Skjerven Morrill  
MacPherson LLP

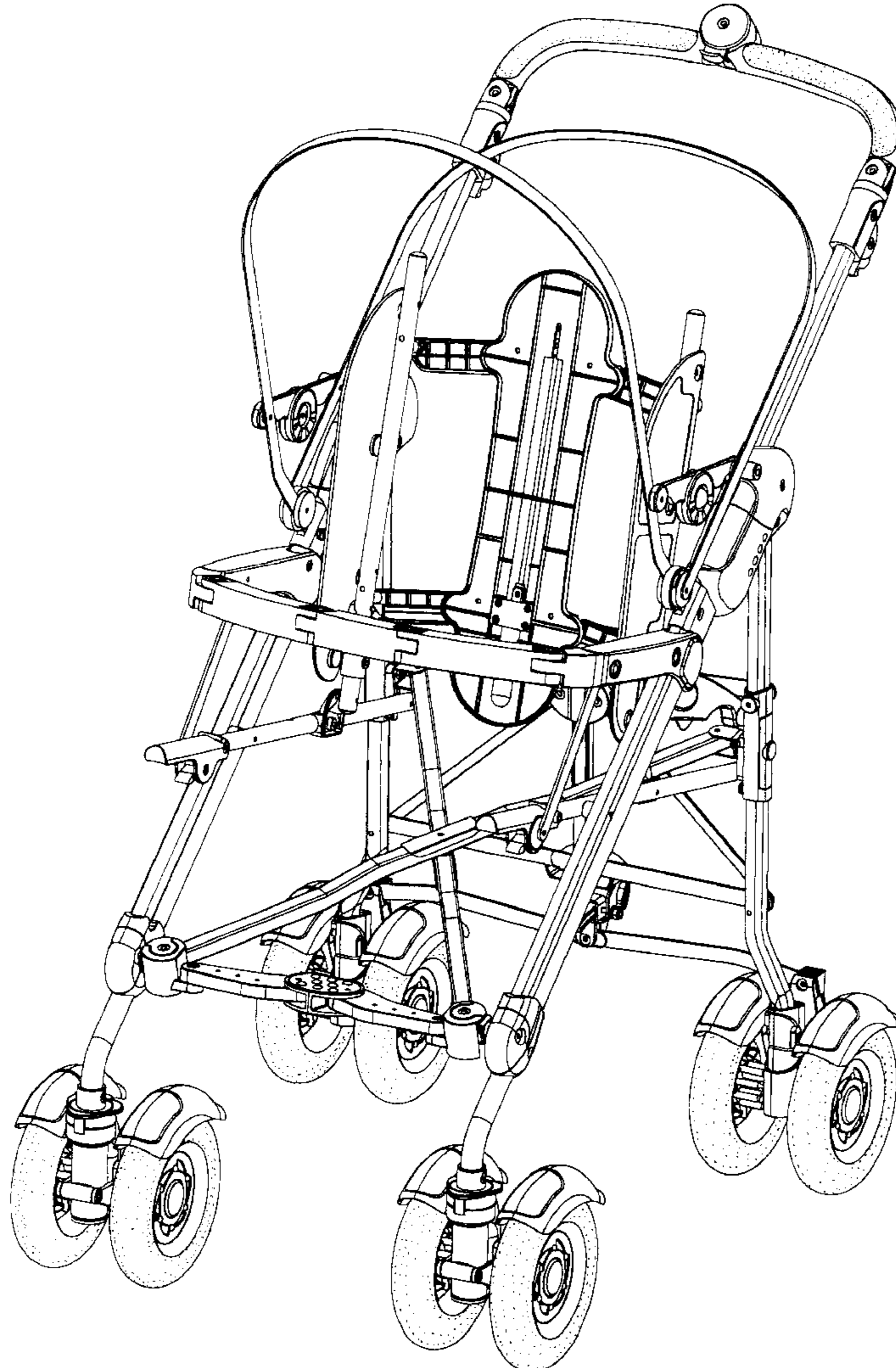
(57) **CLAIM**

The ornamental design for foldable stroller frame, as shown and described.

**DESCRIPTION**

FIG. 1 is a perspective view of foldable stroller frame showing my new design;  
FIG. 2 is a front elevational view thereof;  
FIG. 3 is a rear elevational view thereof;  
FIG. 4 is a left side elevational view thereof;  
FIG. 5 is a right side elevational view thereof;  
FIG. 6 is a top plan view thereof; and,  
FIG. 7 is a bottom plan view thereof.

**1 Claim, 6 Drawing Sheets**



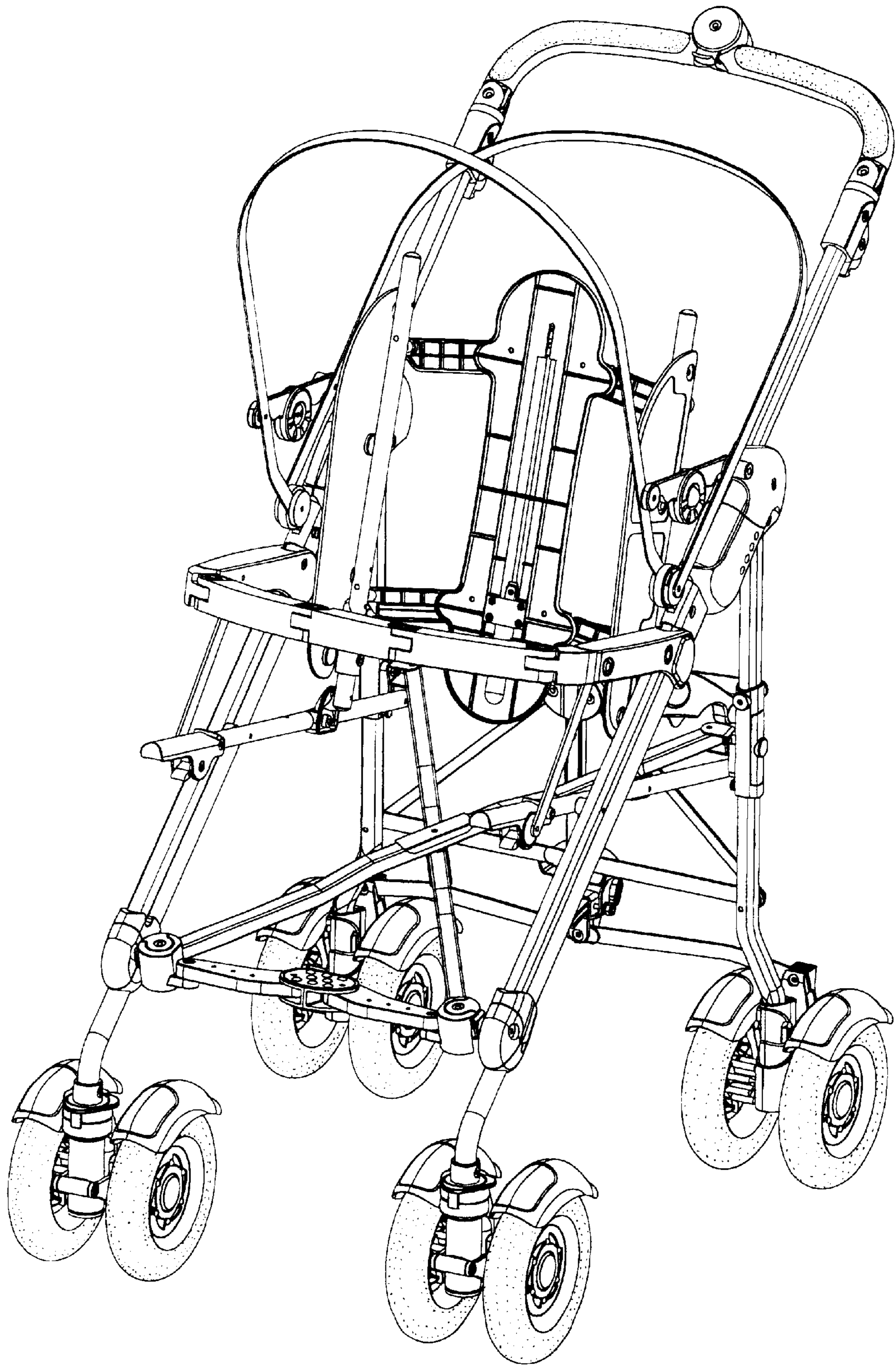


FIG. 1

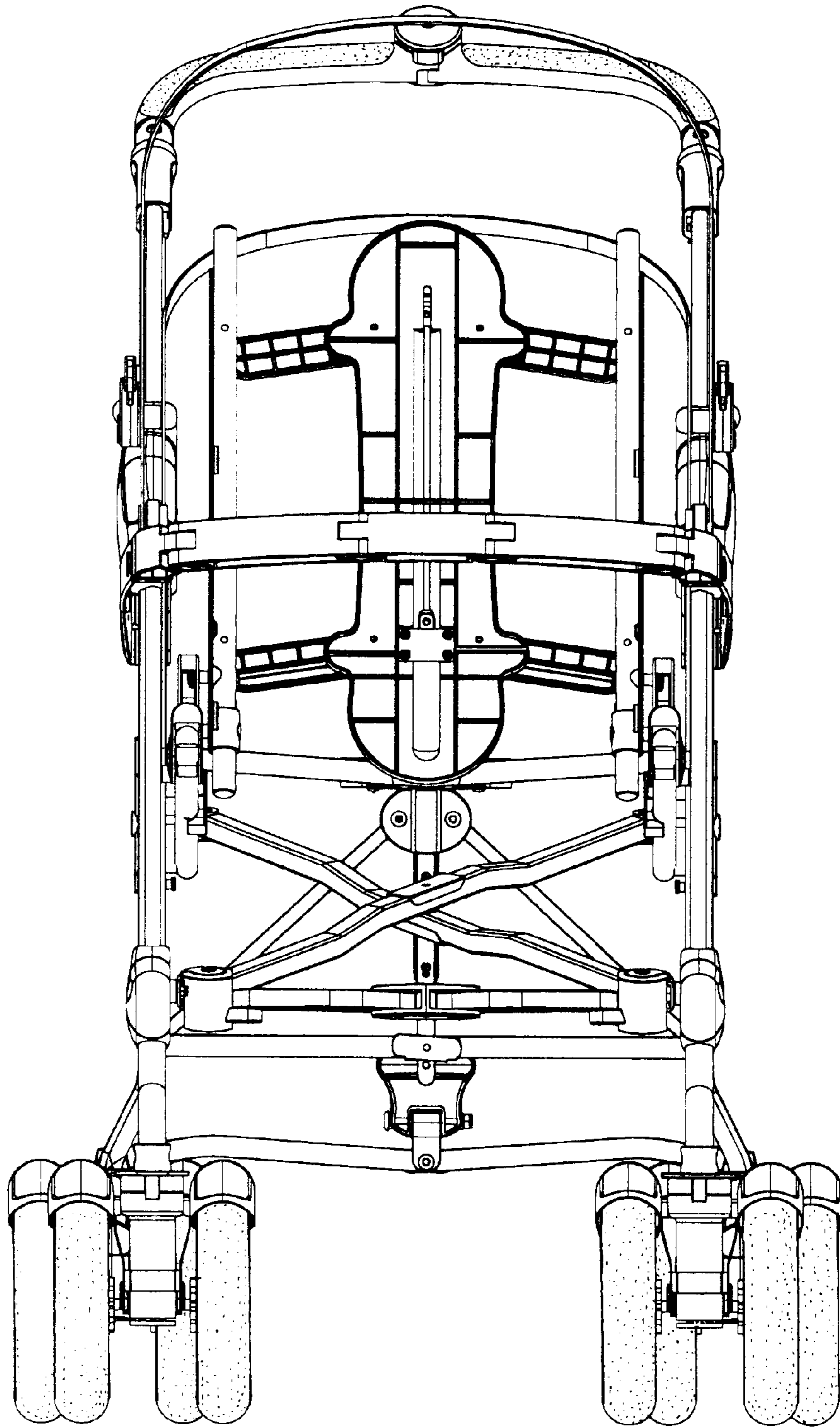


FIG. 2



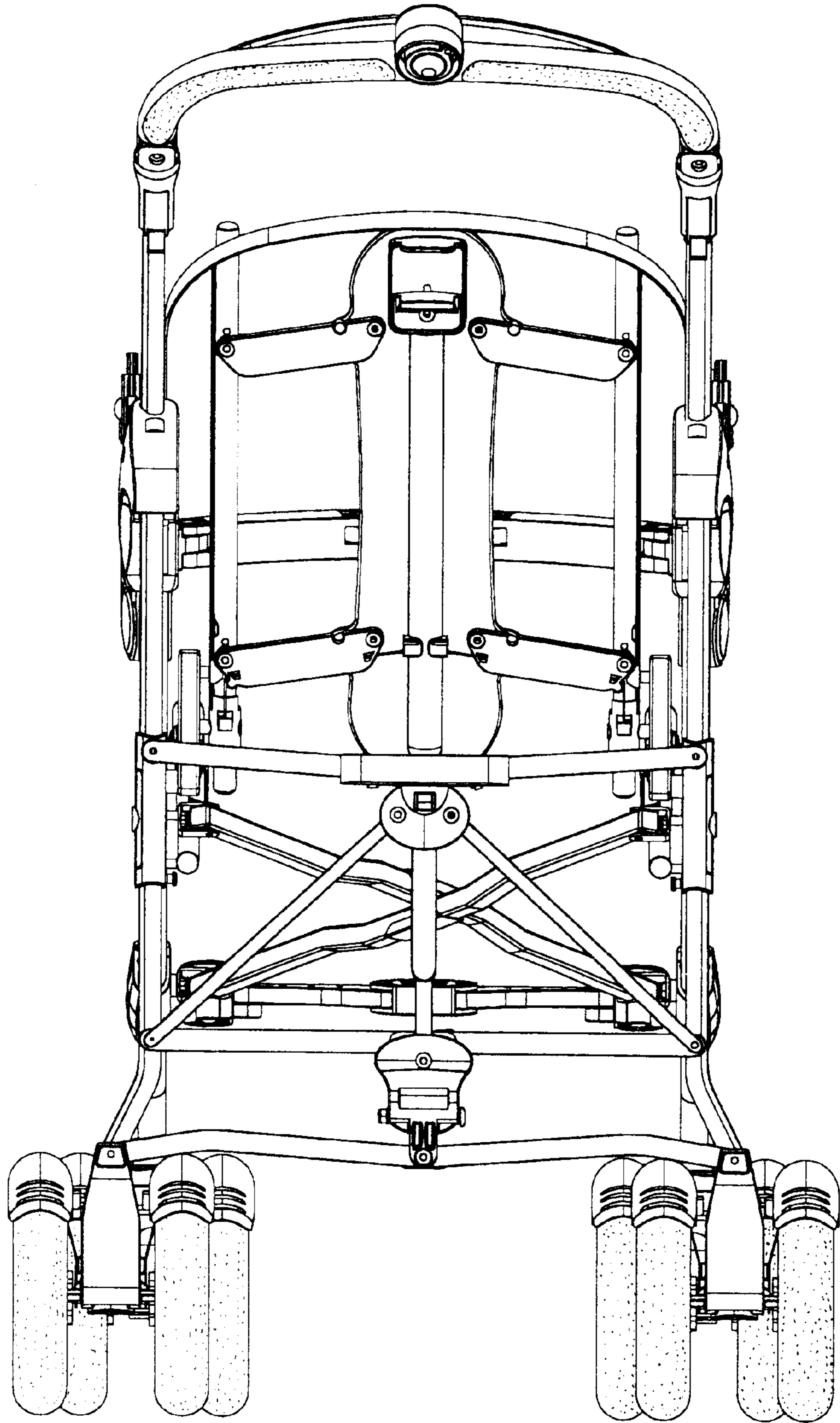


FIG. 3

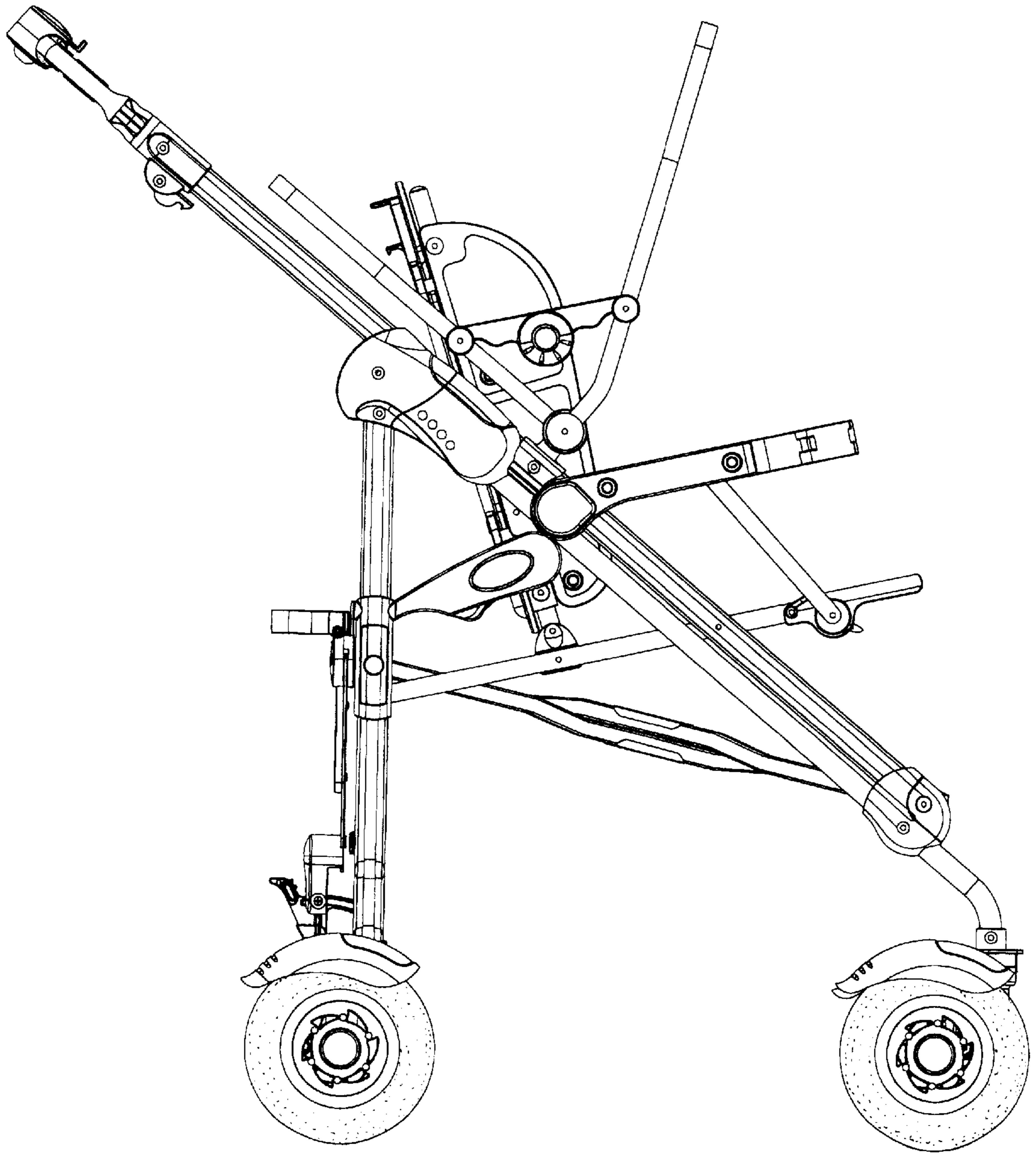


FIG. 4

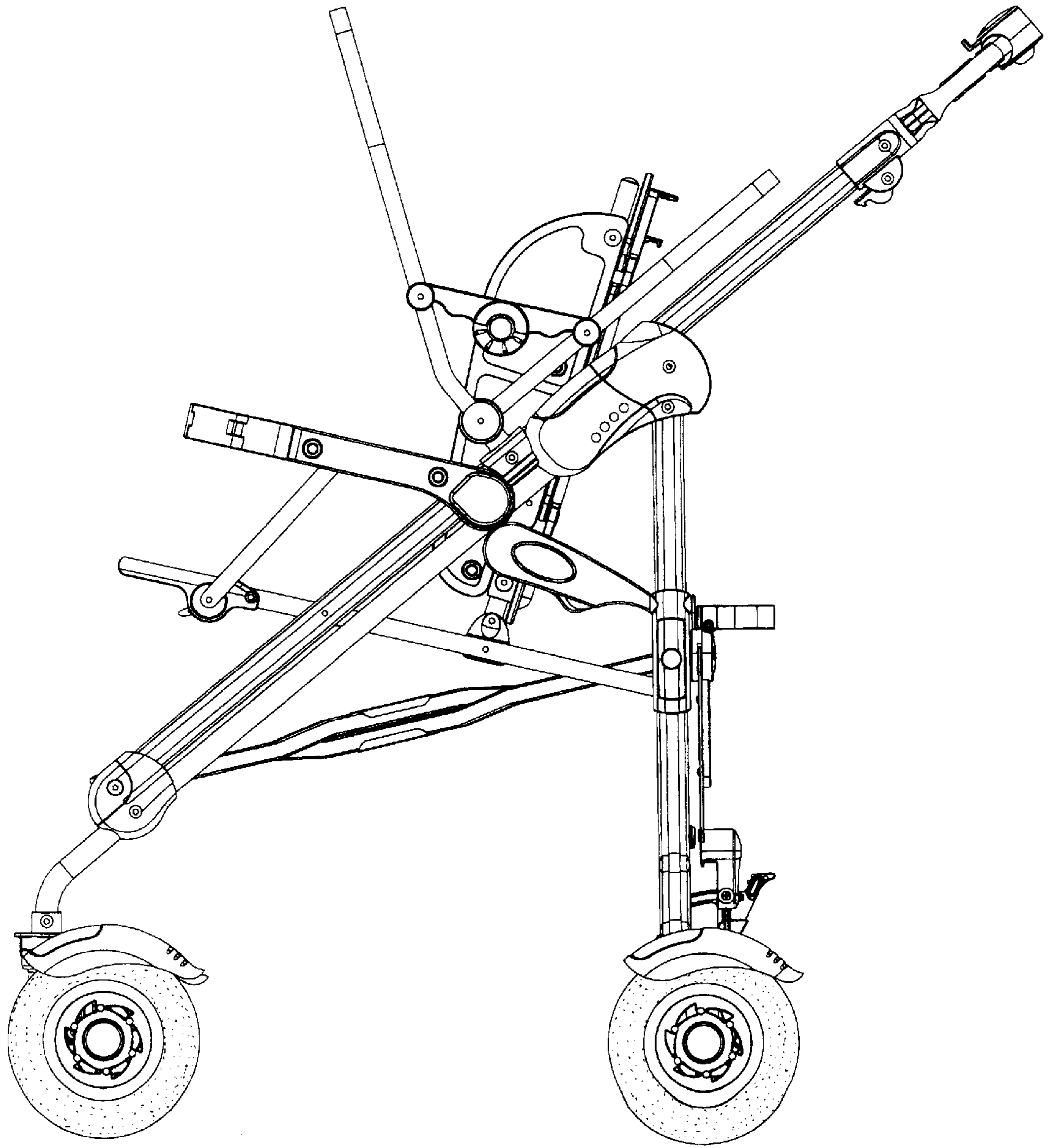


FIG. 5



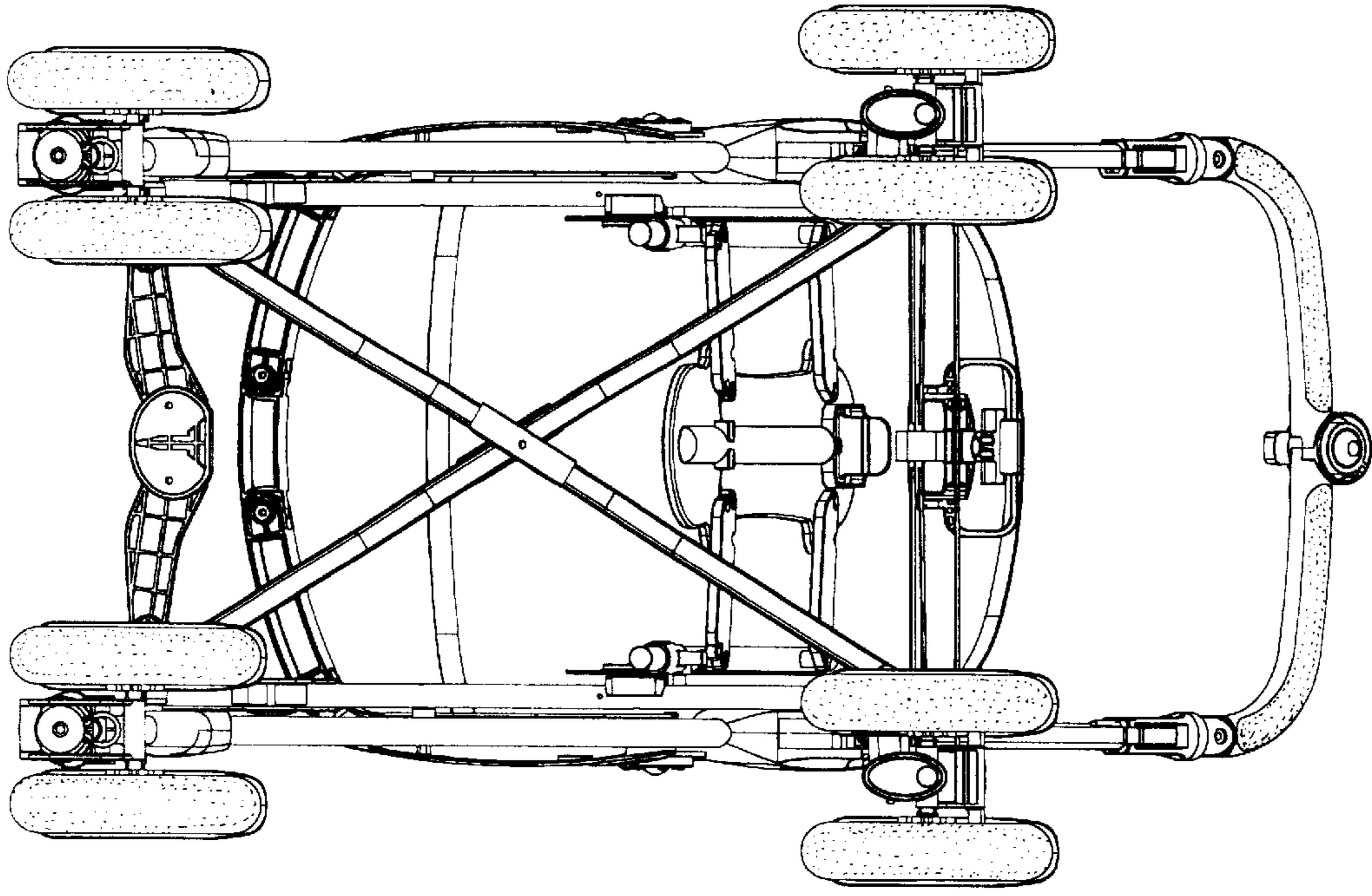


FIG. 7

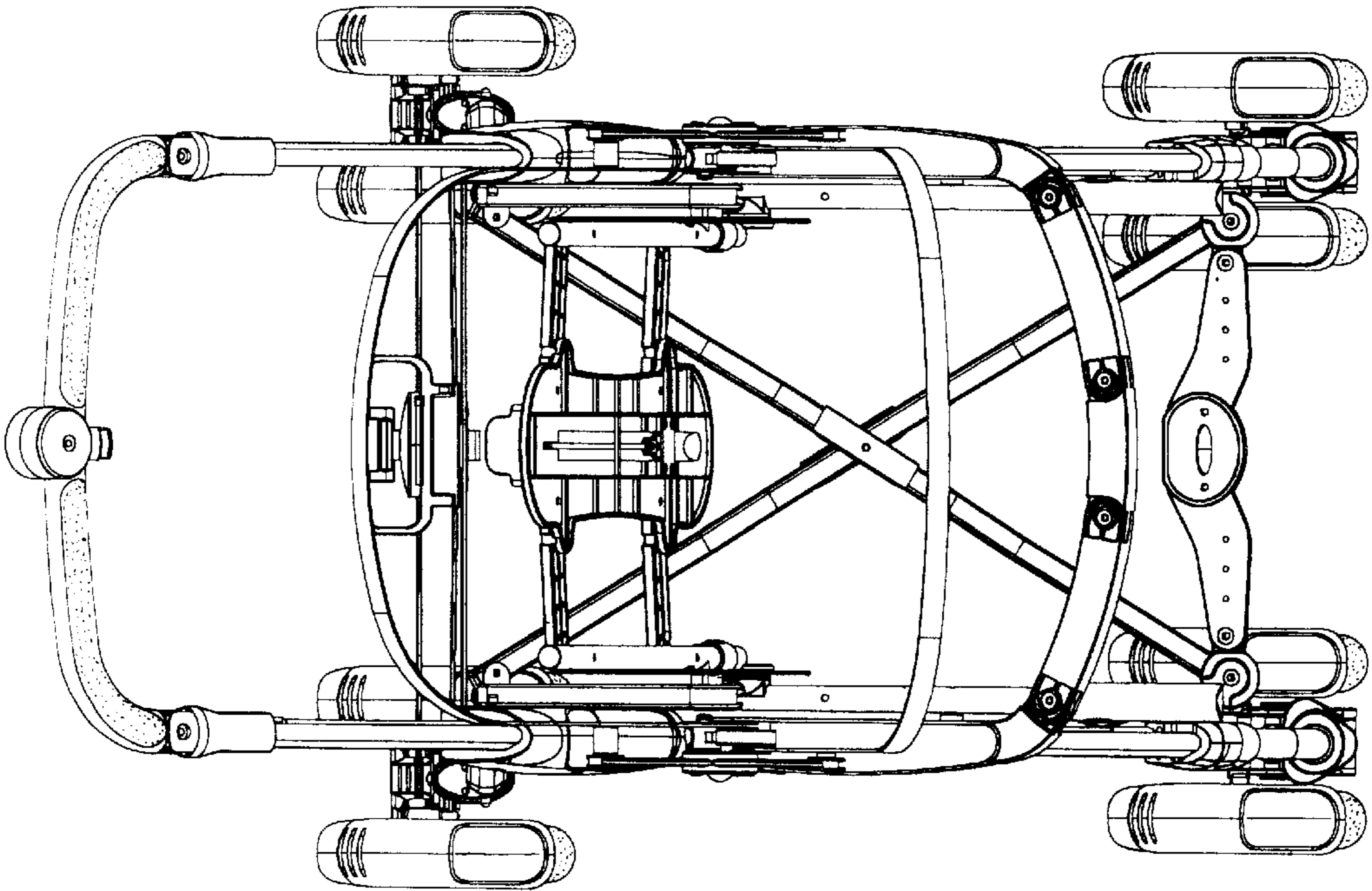


FIG. 6