



US00D452454B1

(12) **United States Design Patent**  
**Bekasi et al.**

(10) **Patent No.:** **US D452,454 S**

(45) **Date of Patent:** **\*\* Dec. 25, 2001**

(54) **SIREN SPEAKER**

(75) Inventors: **Thomas J. Bekasi**, Meriden; **Jon H. Lyons**, Haddam, both of CT (US)

(73) Assignee: **Whelen Engineering Company, Inc.**, Chester, CT (US)

(\*\*) Term: **14 Years**

(21) Appl. No.: **29/123,758**

(22) Filed: **May 24, 2000**

(51) **LOC (7) Cl.** ..... **10-05**

(52) **U.S. Cl.** ..... **D10/120**

(58) **Field of Search** ..... D10/104, 116,  
D10/119, 120, 121; 340/384.1, 384.3, 387.7,  
388.1, 390.1, 391.1, 392.2, 392.4

(56) **References Cited**

**U.S. PATENT DOCUMENTS**

D. 279,965 \* 8/1985 Mikami ..... D10/120  
D. 292,895 \* 11/1987 Hayashi ..... D10/120

D. 297,918 \* 10/1988 Kamada ..... D10/120  
D. 345,317 \* 3/1994 Issa ..... D10/120  
D. 382,221 \* 8/1997 Chen ..... D10/120  
D. 397,636 \* 9/1998 Chu ..... D10/120  
D. 406,074 \* 2/1999 Hu ..... D10/120

\* cited by examiner

*Primary Examiner*—Marcus A. Jackson

(74) *Attorney, Agent, or Firm*—Alix, Yale & Ristas, LLP

(57) **CLAIM**

The ornamental design for a siren speaker, as shown and described.

**DESCRIPTION**

FIG. 1 is a front view of a siren speaker in accordance with our Design;

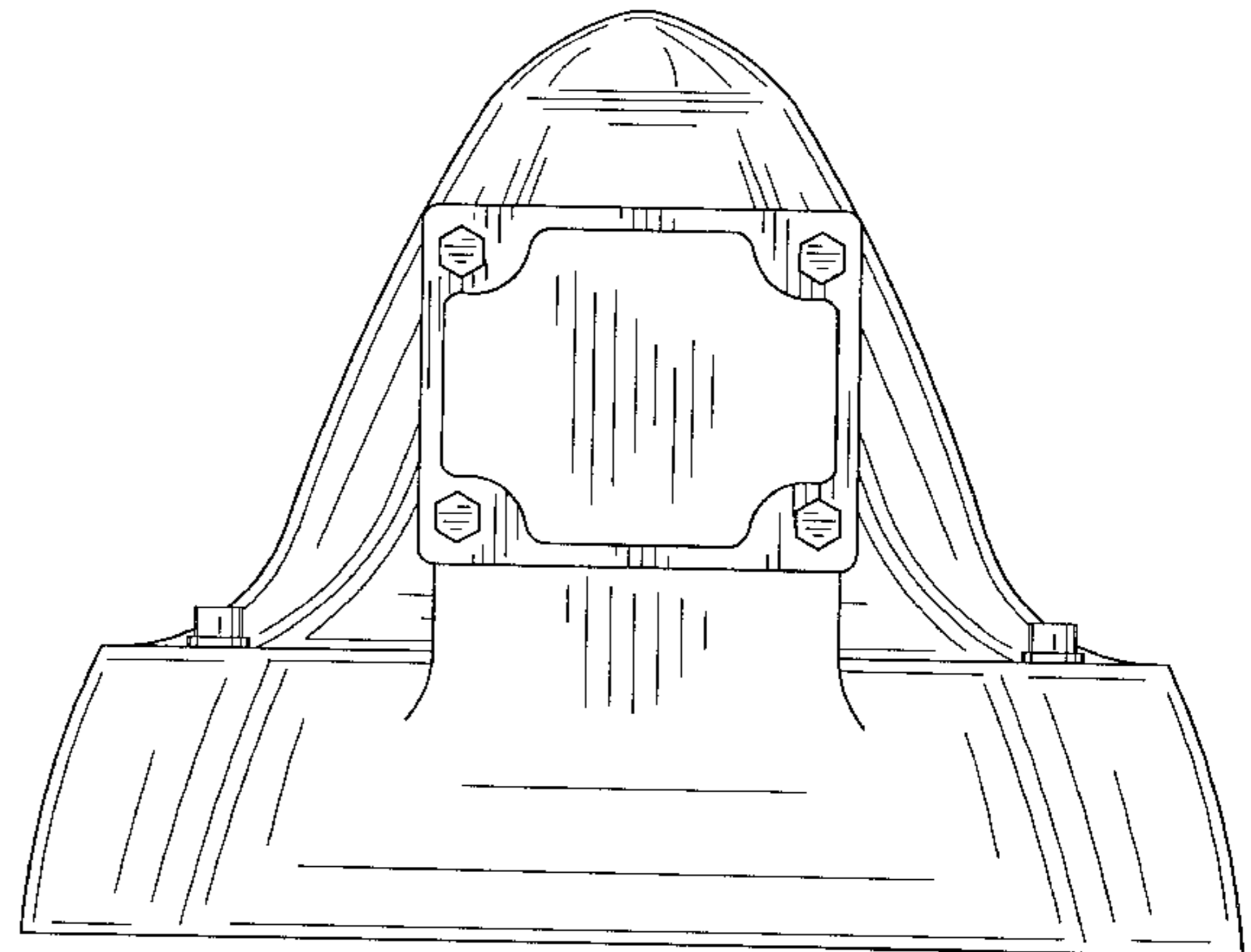
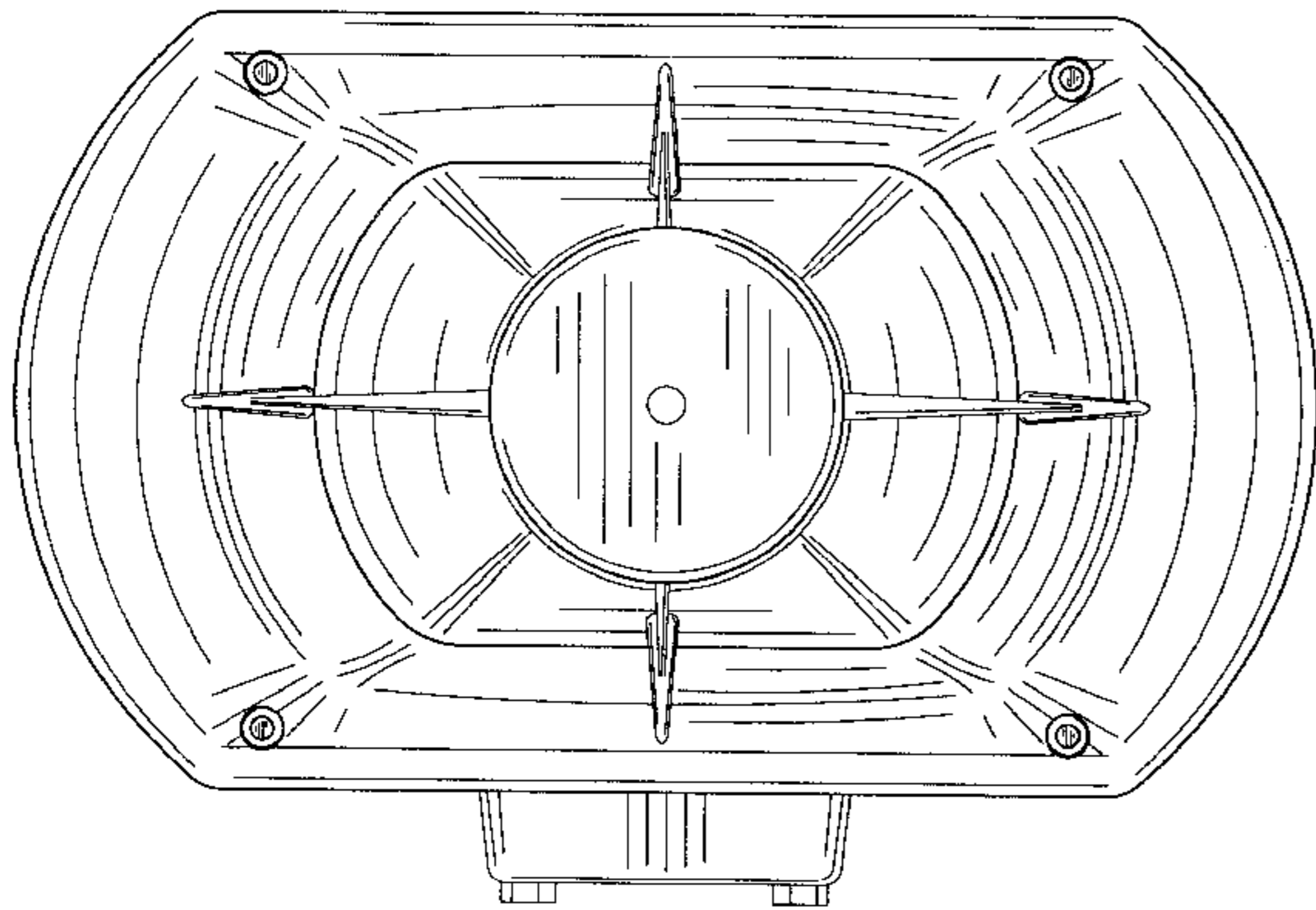
FIG. 2 is a rear view thereof;

FIG. 3 is a bottom view thereof;

FIG. 4 is a top view thereof; and,

FIG. 5 is a side view thereof, the siren speaker appearing the same when viewed from the opposite side.

**1 Claim, 4 Drawing Sheets**



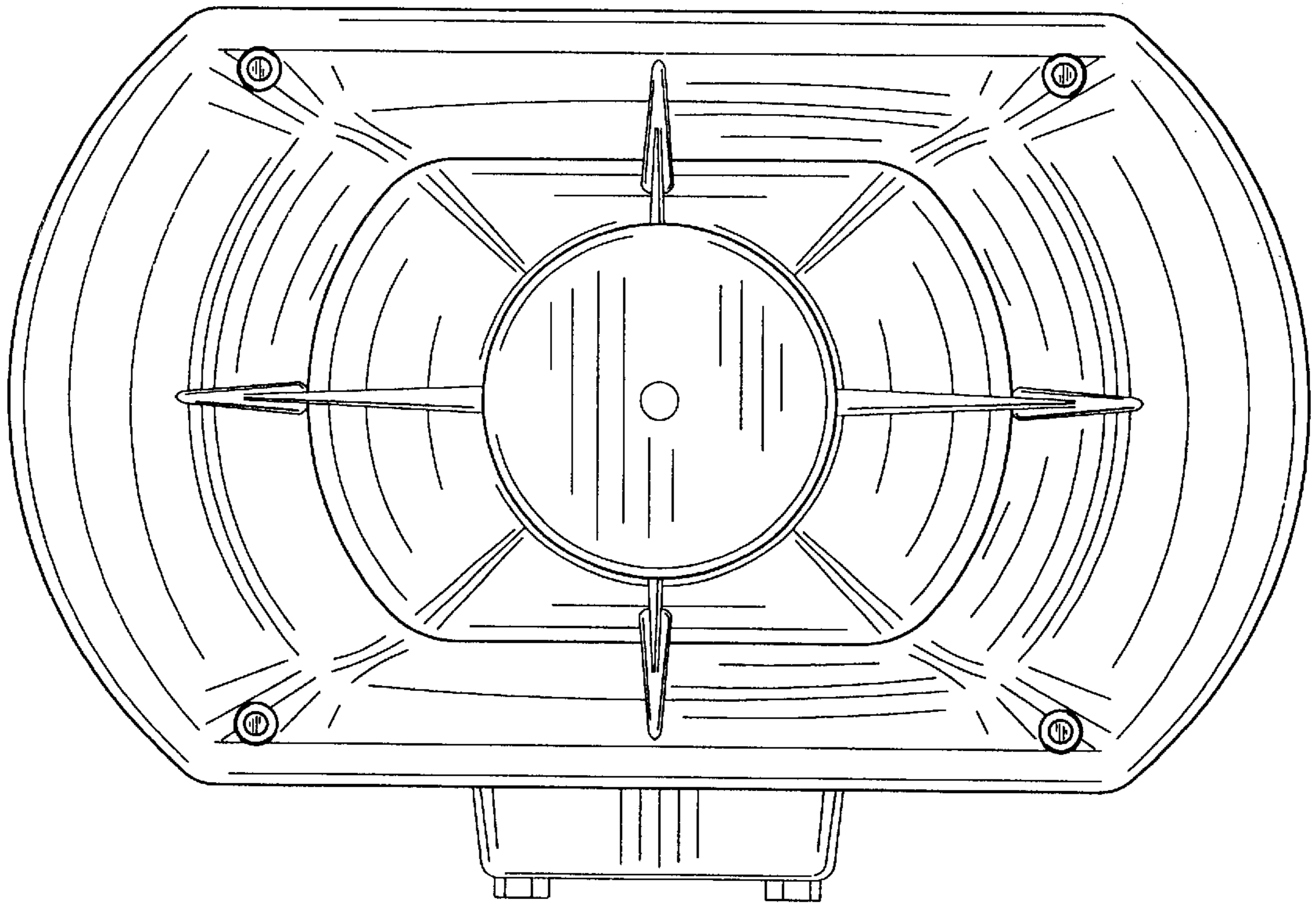


FIG. 1

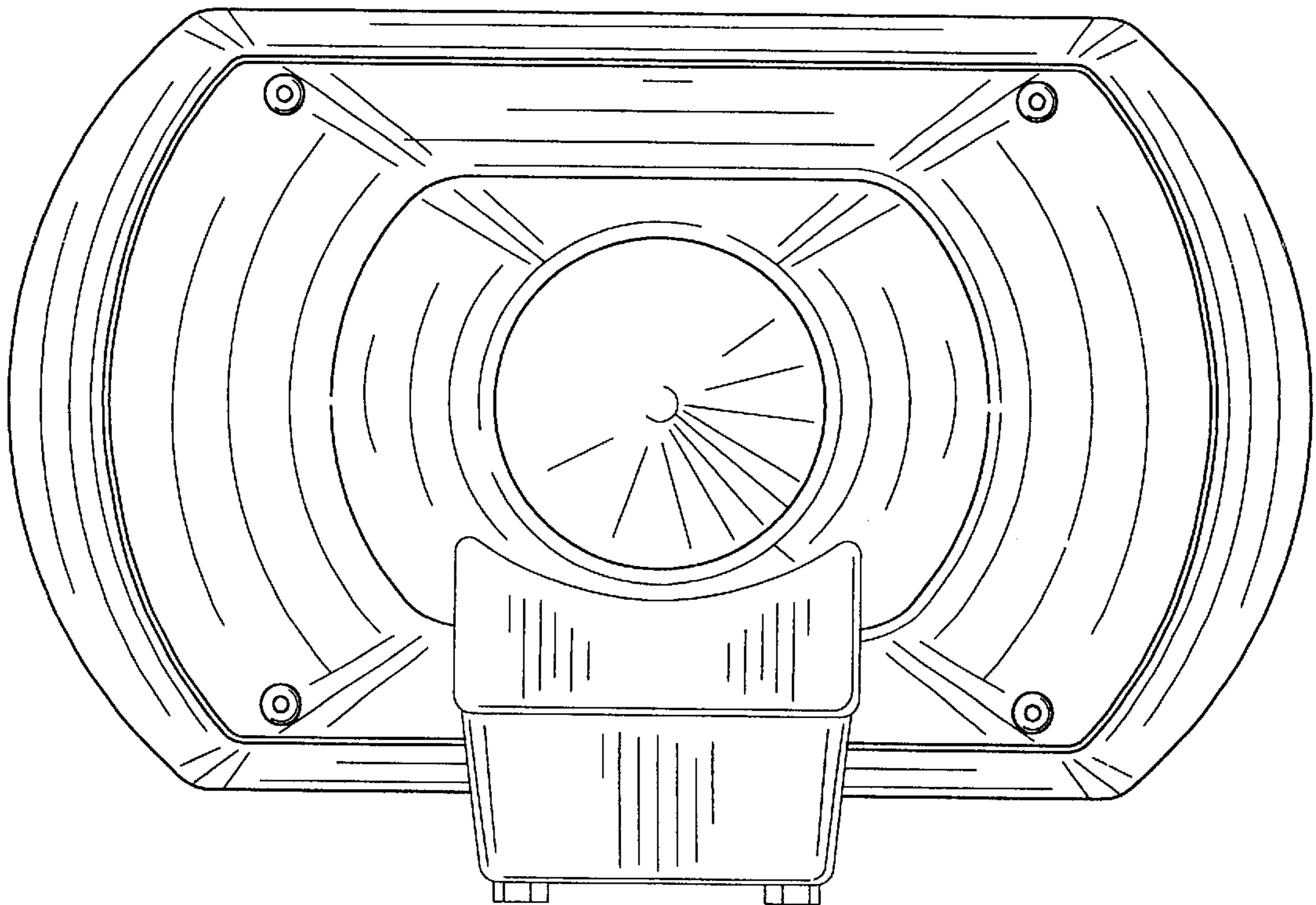


FIG. 2

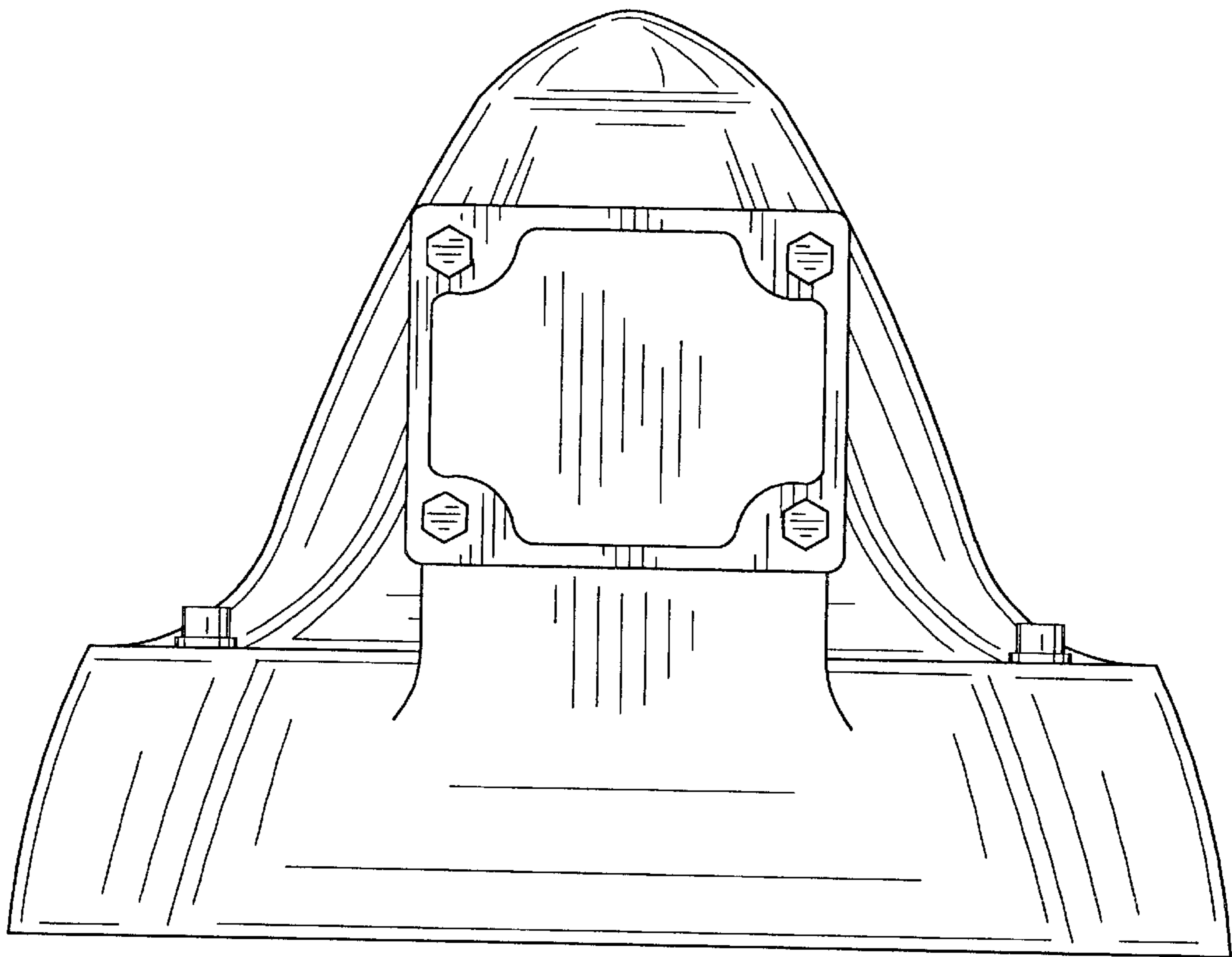


FIG. 3

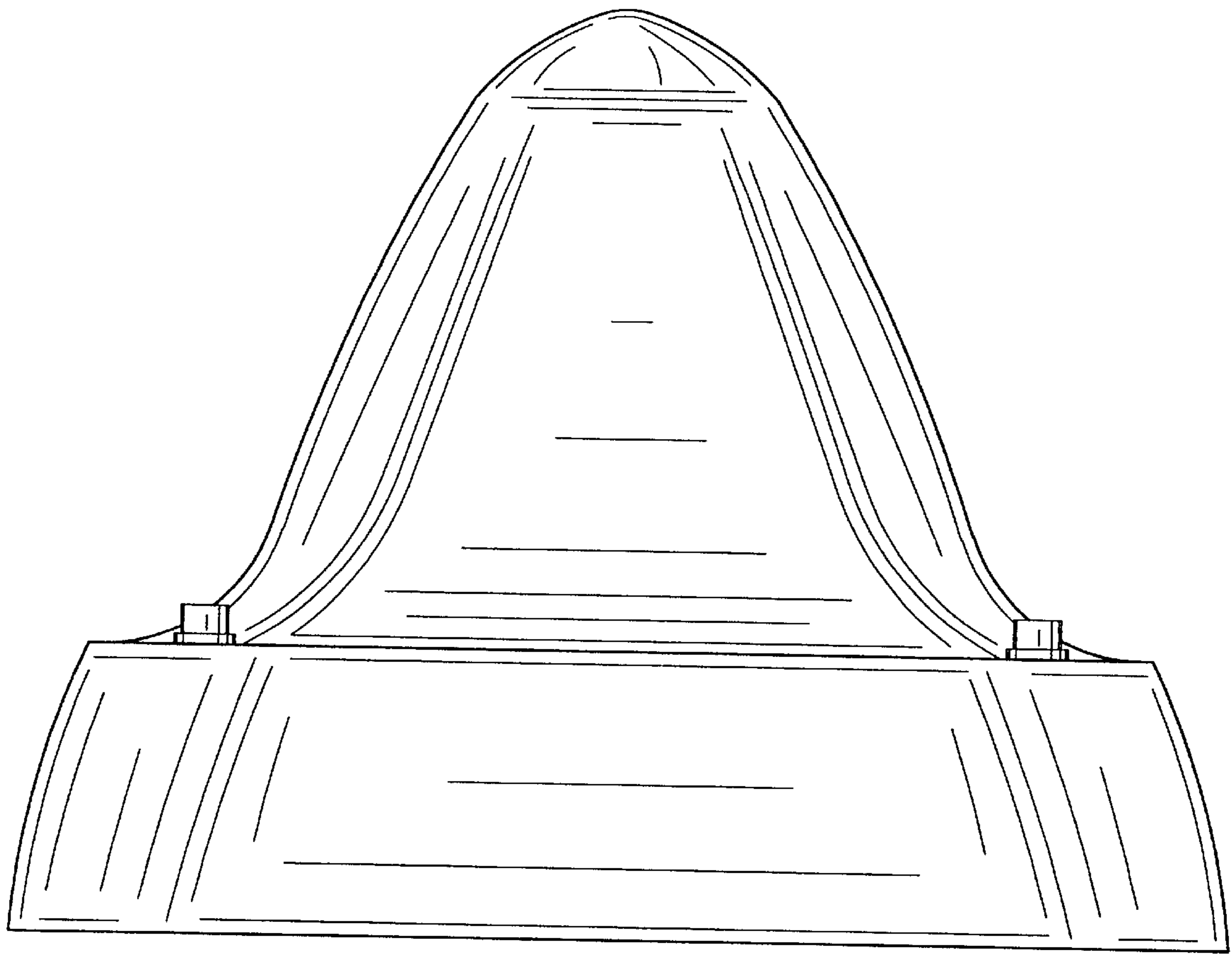


FIG. 4

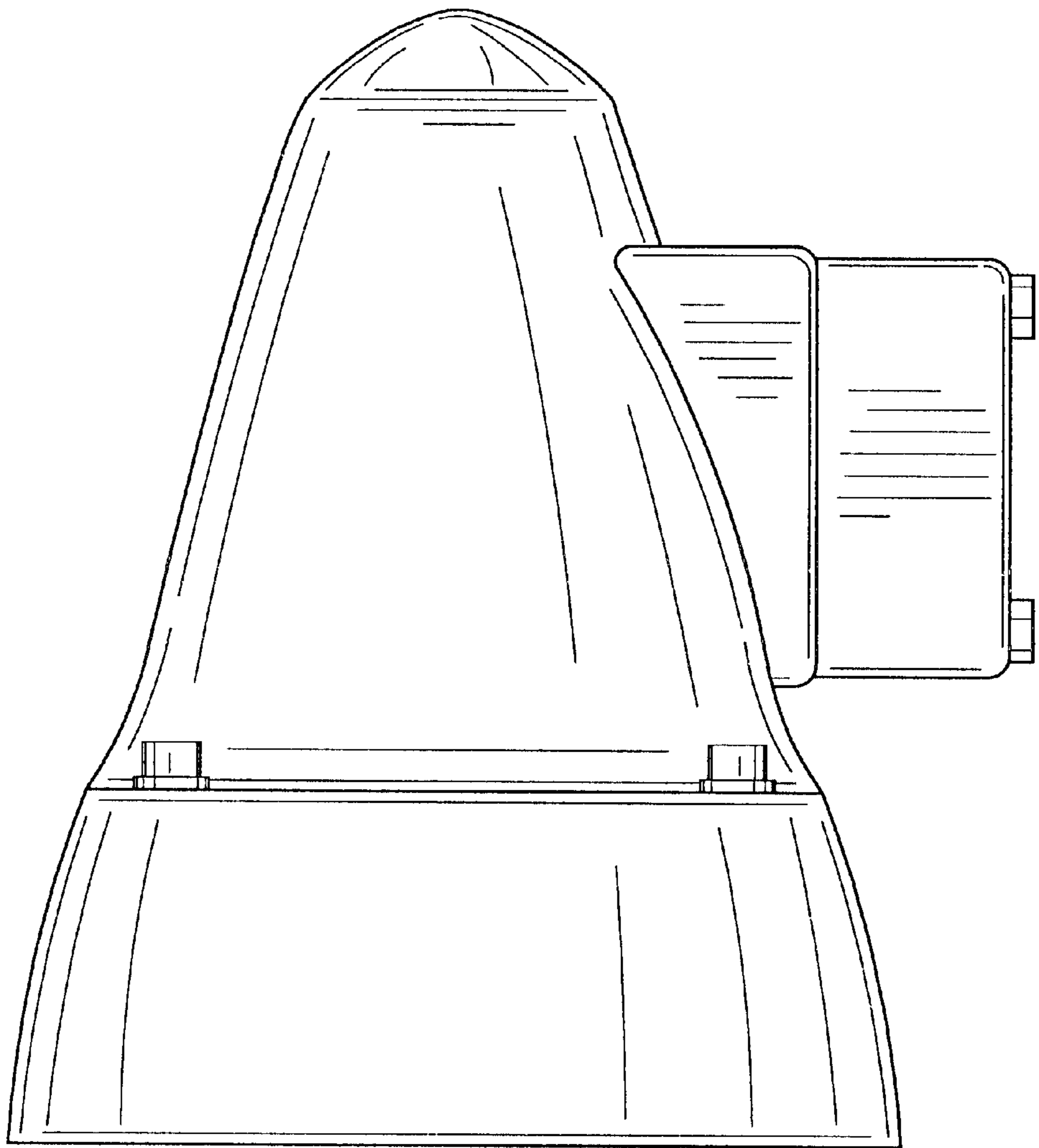


FIG. 5