



US00D452453B1

(12) **United States Design Patent**
Tsukuda et al.

(10) **Patent No.:** **US D452,453 S**

(45) **Date of Patent:** **** Dec. 25, 2001**

(54) **AUDIBLE SIGNAL FOR ALARMS**

D. 427,930 * 7/2000 Watanabe D10/116
D. 429,178 * 8/2000 Yuen D10/116

(75) Inventors: **Yasunori Tsukuda; Yoshio Imahori,**
both of Shizuoka (JP)

* cited by examiner

(73) Assignee: **Star Micronics Co., Ltd.,** Shizuoka
(JP)

Primary Examiner—Marcus A. Jackson
(74) *Attorney, Agent, or Firm*—Sughrue Mion, PLLC

(**) Term: **14 Years**

(57) **CLAIM**

(21) Appl. No.: **29/139,279**

The ornamental design for an audible signal for alarms, as shown.

(22) Filed: **Mar. 28, 2001**

(30) **Foreign Application Priority Data**

DESCRIPTION

Sep. 29, 2000 (JP) 12-027534

FIG. 1 is a perspective view of the front of an audible signal for alarms showing our new design;

(51) **LOC (7) Cl.** **10-05**

FIG. 2 is a perspective view of the rear thereof;

(52) **U.S. Cl.** **D10/116**

FIG. 3 is a front elevational view thereof;

(58) **Field of Search** D10/104, 106,
D10/116, 121; D13/152, 156; 340/384.1,
384.3, 384.7, 388.1, 390.1, 391.1, 392.2,
392.4

FIG. 4 is a left side elevational view thereof;

FIG. 5 is a right side elevational view thereof;

FIG. 6 is a top plan view thereof;

FIG. 7 is a rear elevational view thereof; and,

FIG. 8 is a bottom plan view thereof.

(56) **References Cited**

U.S. PATENT DOCUMENTS

D. 401,588 * 11/1998 Fushimi D10/116

1 Claim, 3 Drawing Sheets

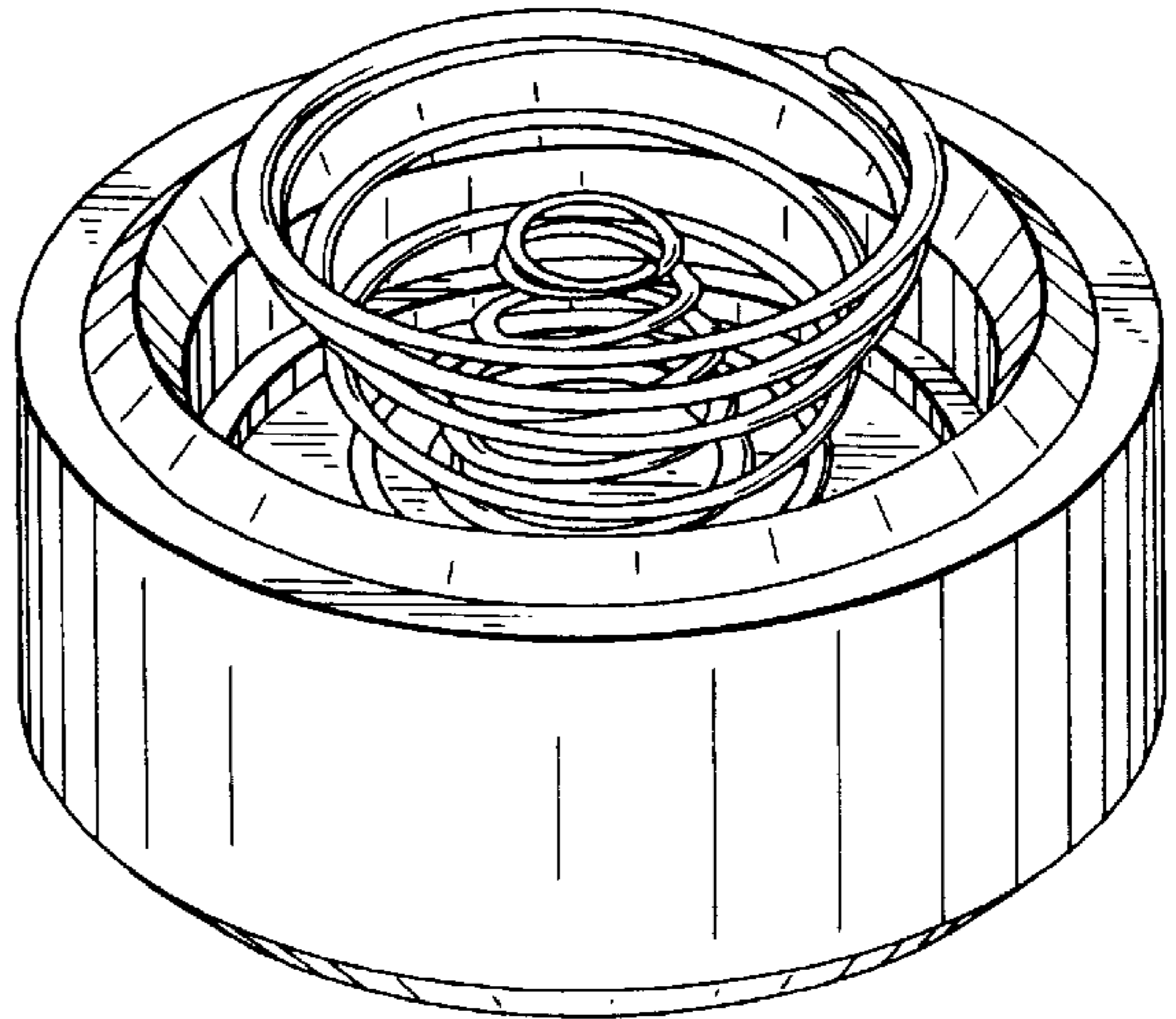
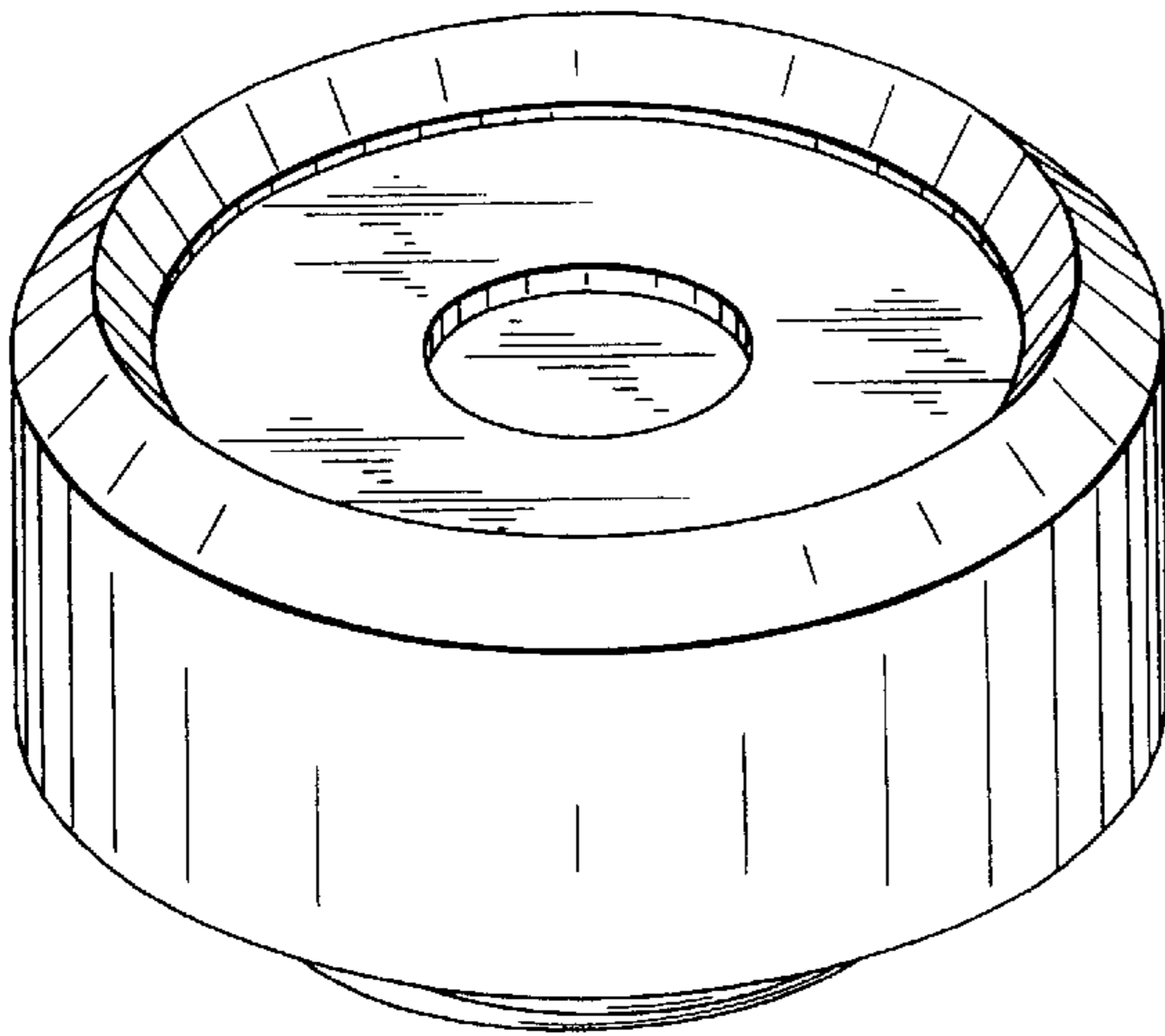


FIG. 1

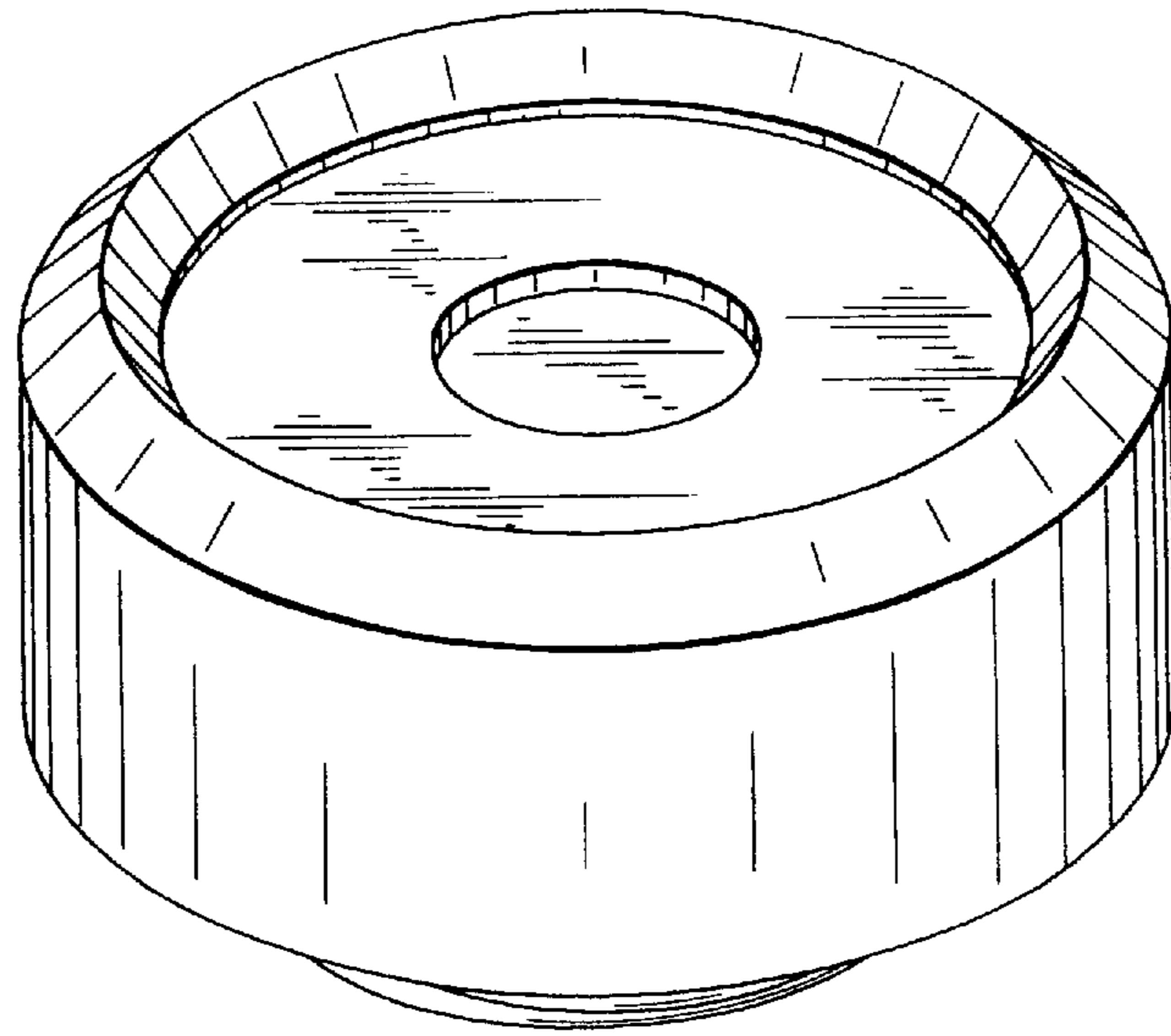


FIG. 2

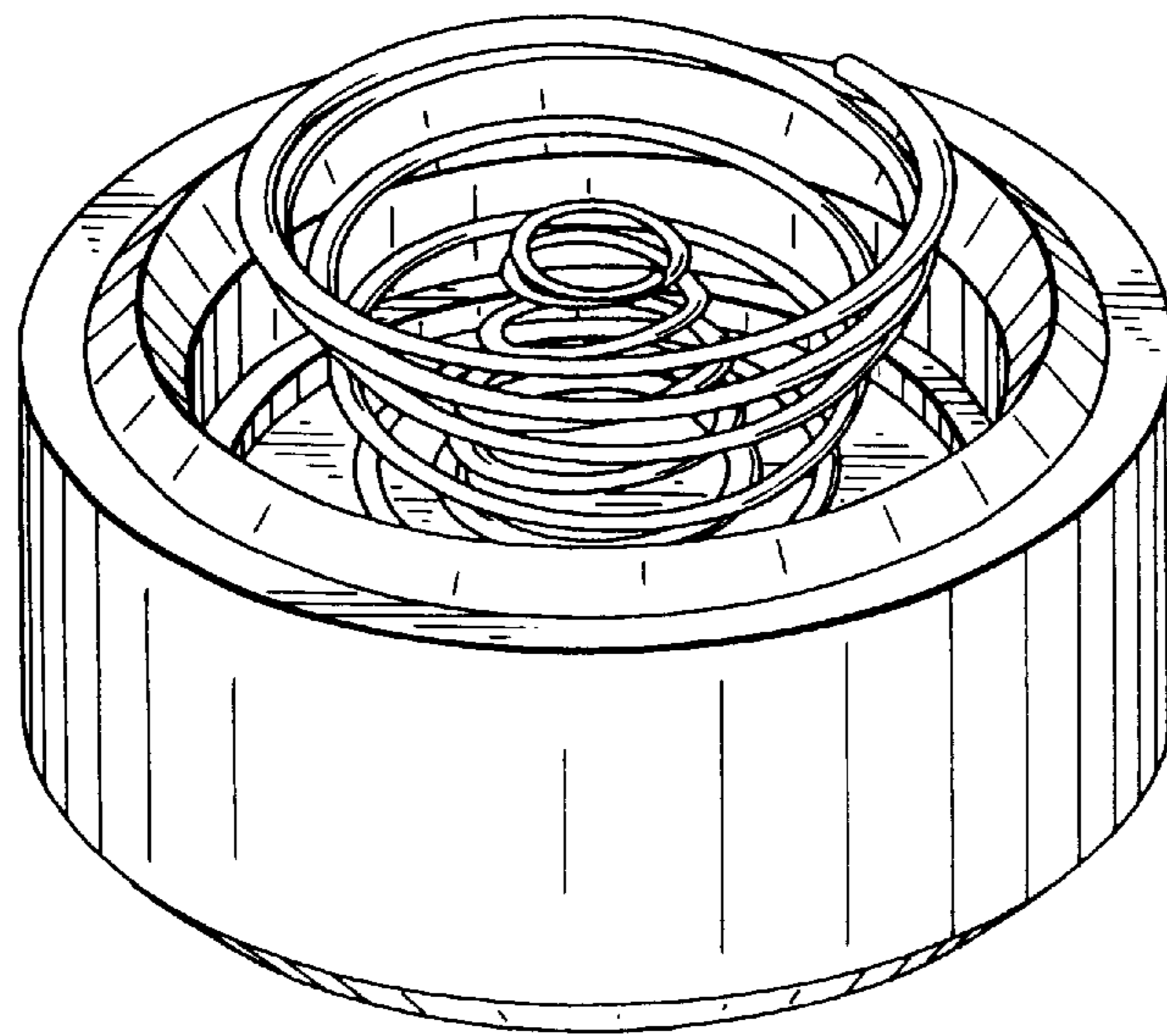


FIG. 3

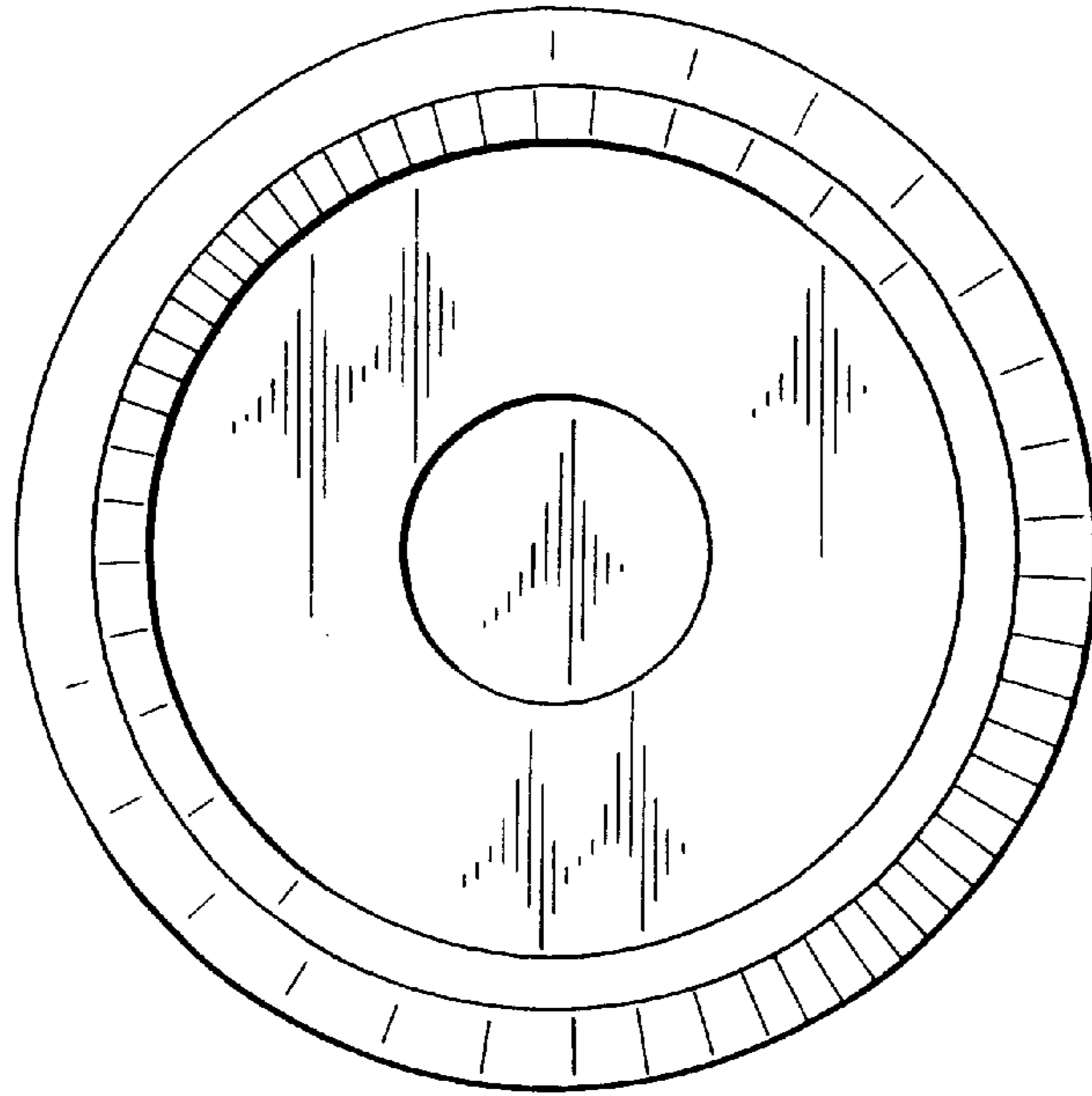


FIG. 4

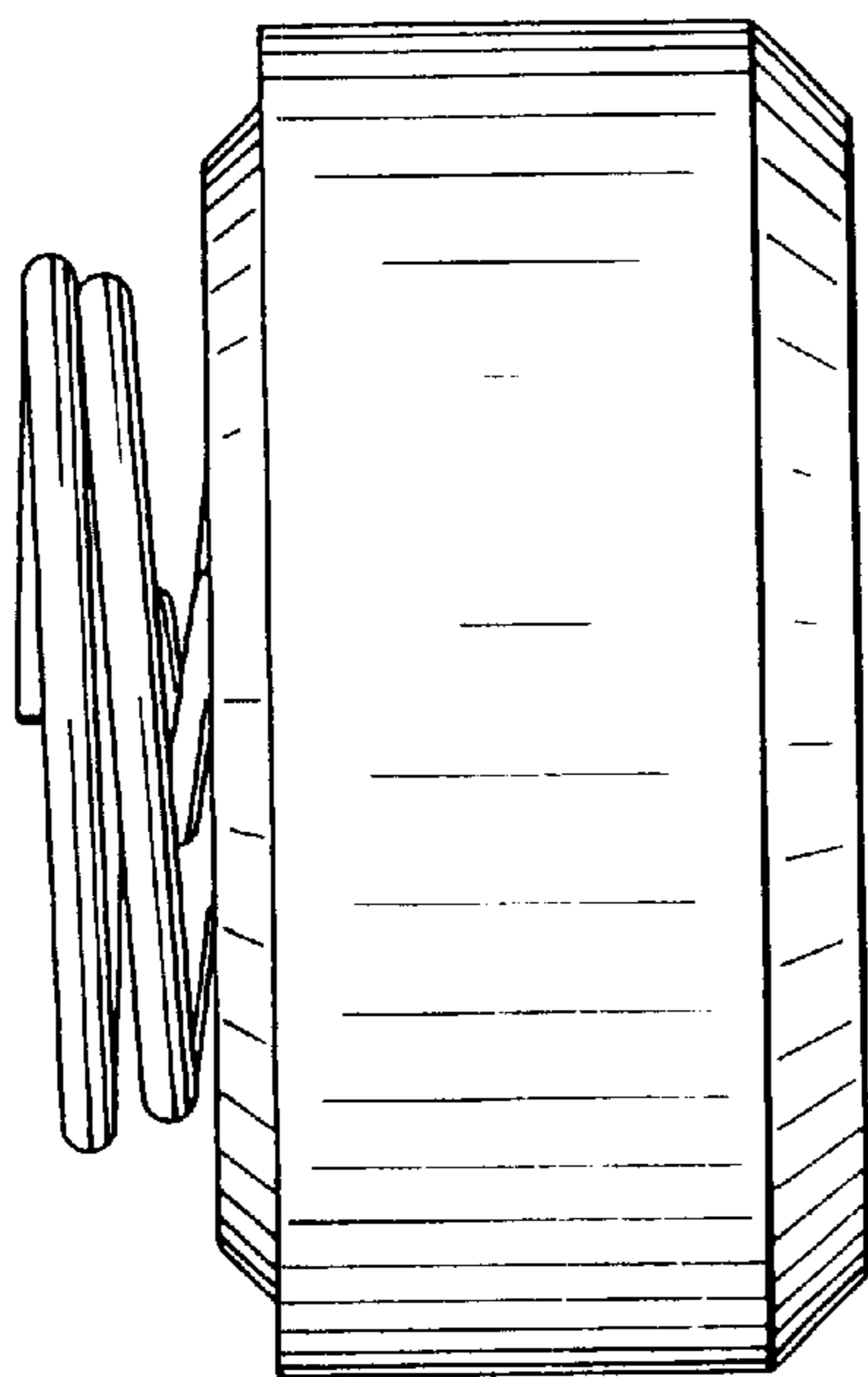


FIG. 5

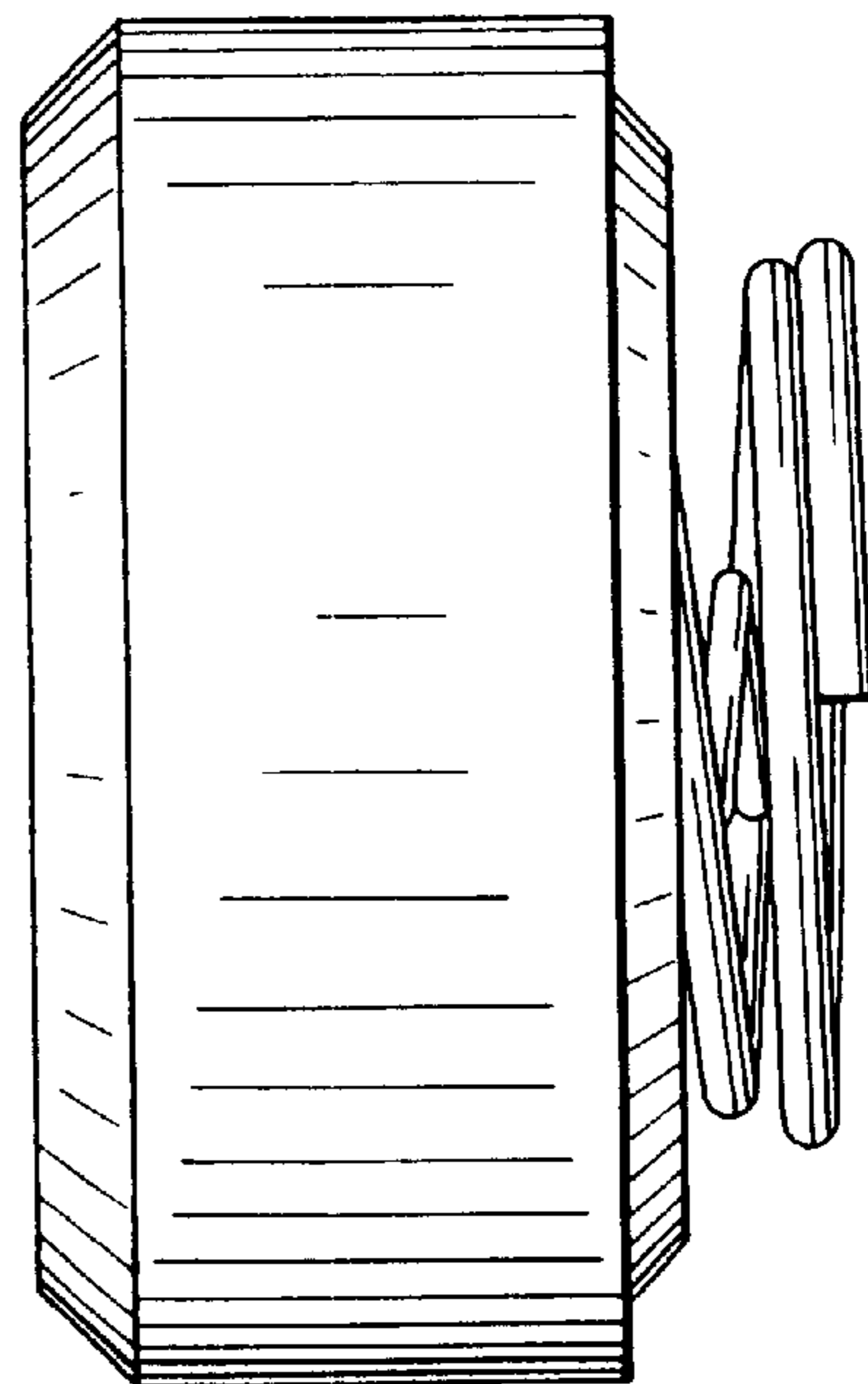


FIG. 6

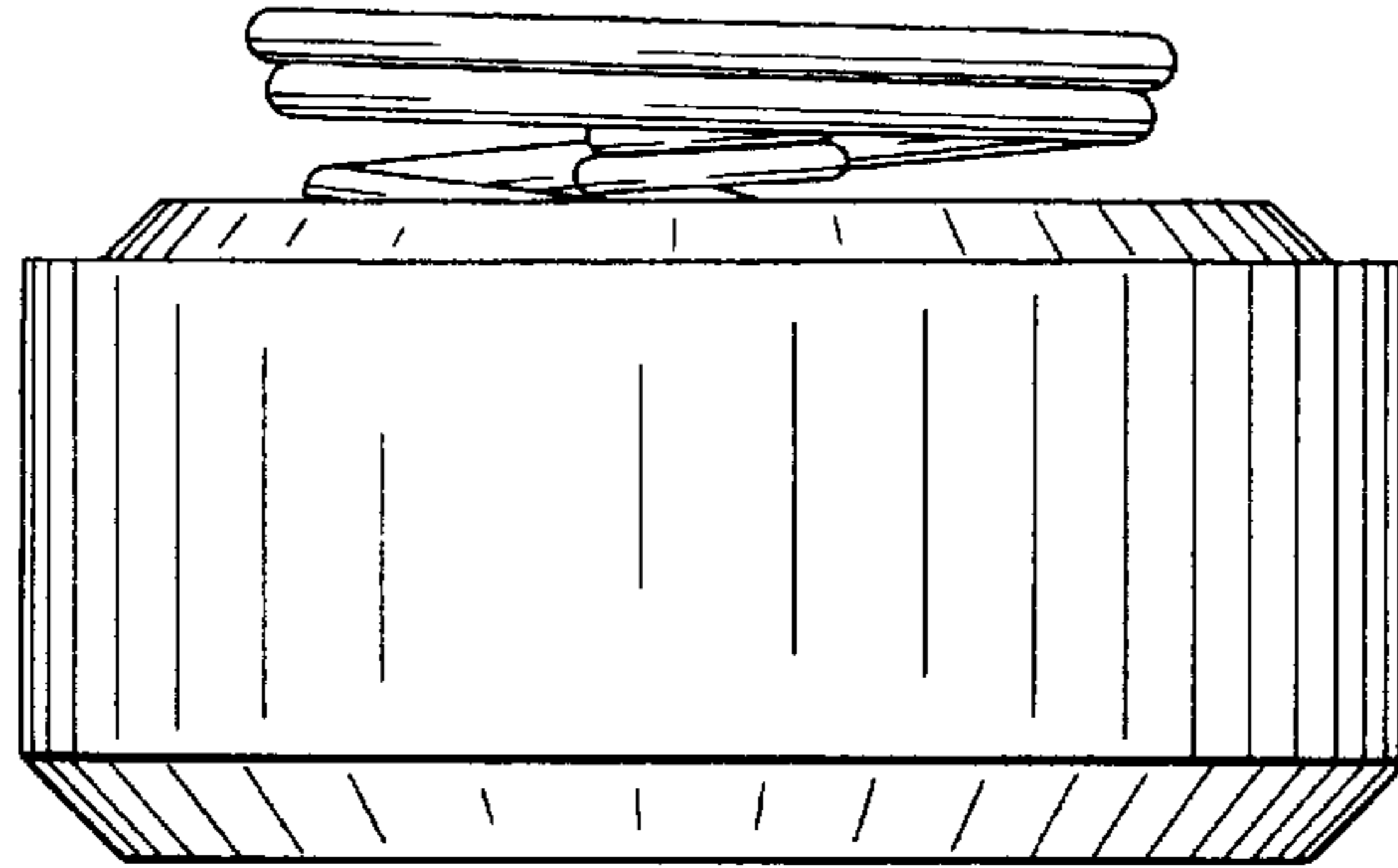


FIG. 7

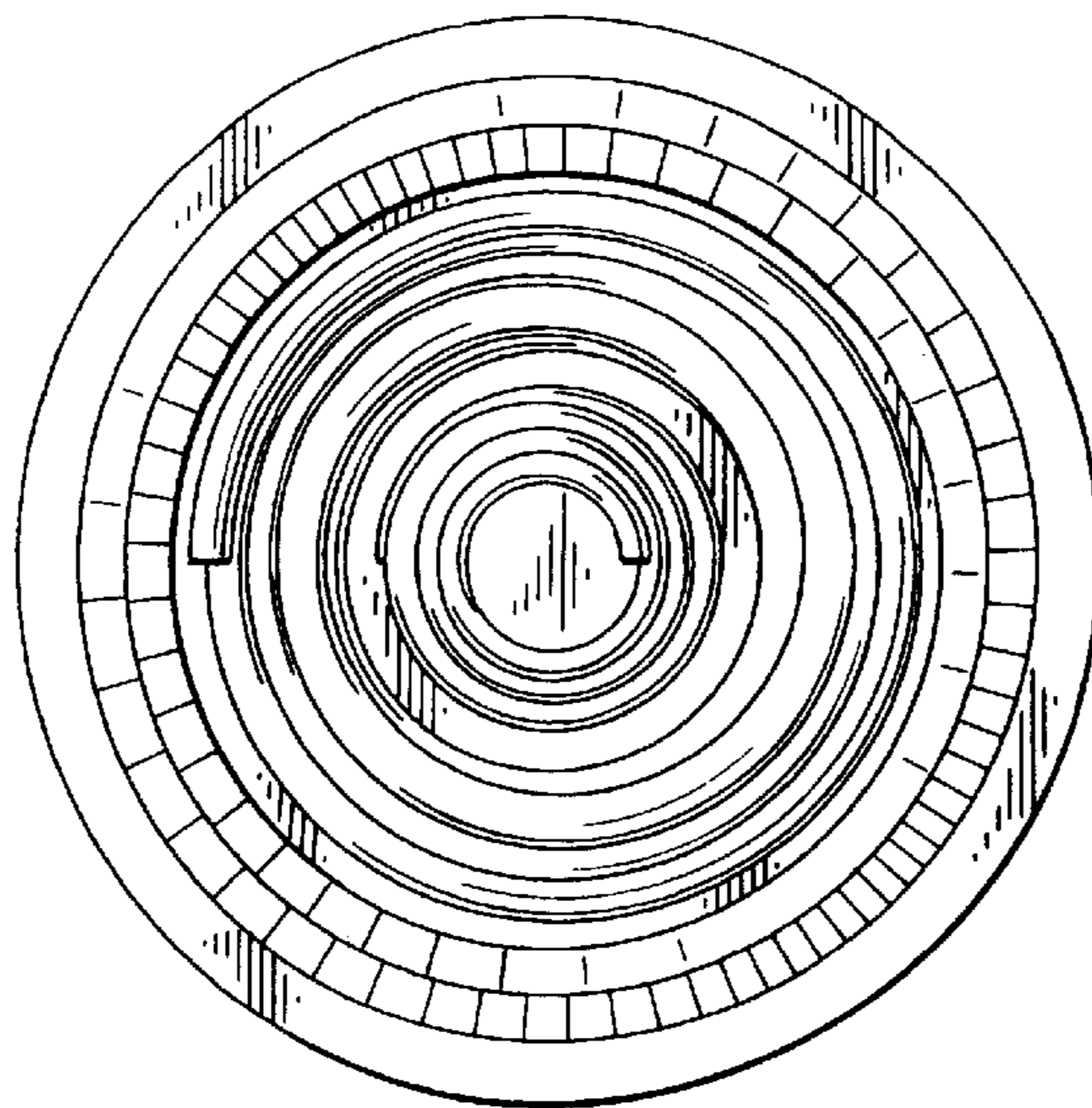


FIG. 8

