



US00D452452B1

(12) **United States Design Patent**  
**Masuda**

(10) **Patent No.:** **US D452,452 S**

(45) **Date of Patent:** **\*\* Dec. 25, 2001**

(54) **AUDIBLE SIGNAL FOR ALARMS**

D. 439,185 \* 3/2001 Asahina ..... D10/116

(75) Inventor: **Mitsuhiro Masuda**, Shizuoka (JP)

\* cited by examiner

(73) Assignee: **Star Micronics Co., Ltd.**, Shizuoka (JP)

*Primary Examiner*—Marcus A. Jackson  
(74) *Attorney, Agent, or Firm*—Sughrue Mion, PLLC

(\*\*) Term: **14 Years**

(57) **CLAIM**

(21) Appl. No.: **29/139,254**

The ornamental design for an audible signal for alarms, as shown.

(22) Filed: **Mar. 28, 2001**

(30) **Foreign Application Priority Data**

**DESCRIPTION**

Sep. 29, 2000 (JP) ..... 12-027526

(51) **LOC (7) Cl.** ..... **10-05**

(52) **U.S. Cl.** ..... **D10/116**

(58) **Field of Search** ..... D10/104, 106,  
D10/116, 121; D13/152, 156; 340/384.1,  
384.3, 384.7, 388.1, 390.1, 391.1, 392.2,  
392.4

FIG. 1 is a perspective view of the front and top of an audible signal for alarms showing my new design, with the broken line showing for illustrative purposes only and forming no part of the claimed design;

FIG. 2 is a front elevational view thereof;

FIG. 3 is a top plan view thereof;

FIG. 4 is a bottom plan view thereof;

FIG. 5 is a left side elevational view thereof;

FIG. 6 is a right side elevational view thereof; and,

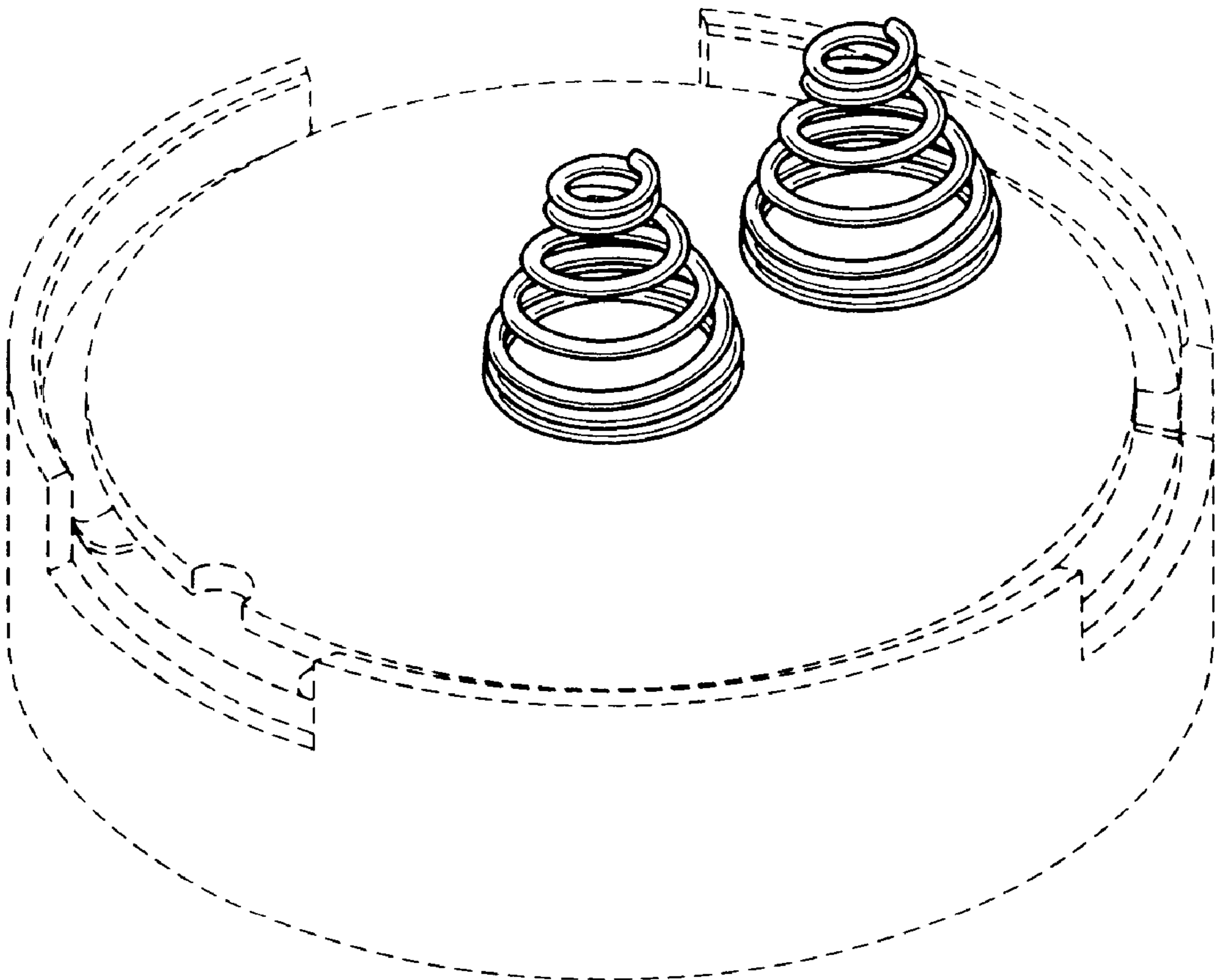
FIG. 7 is a rear elevational view thereof.

(56) **References Cited**

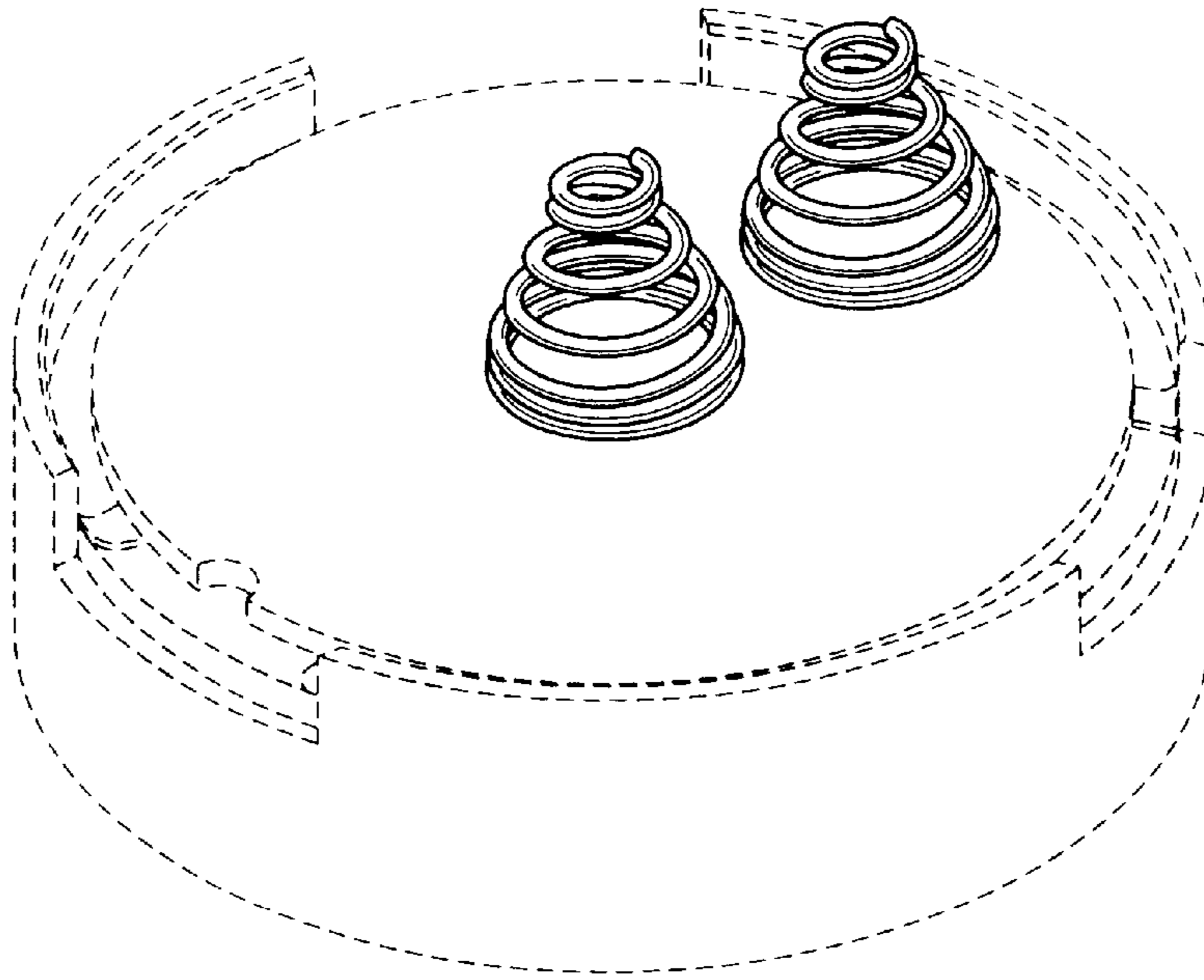
**U.S. PATENT DOCUMENTS**

D. 427,930 \* 7/2000 Watanabe ..... D10/116

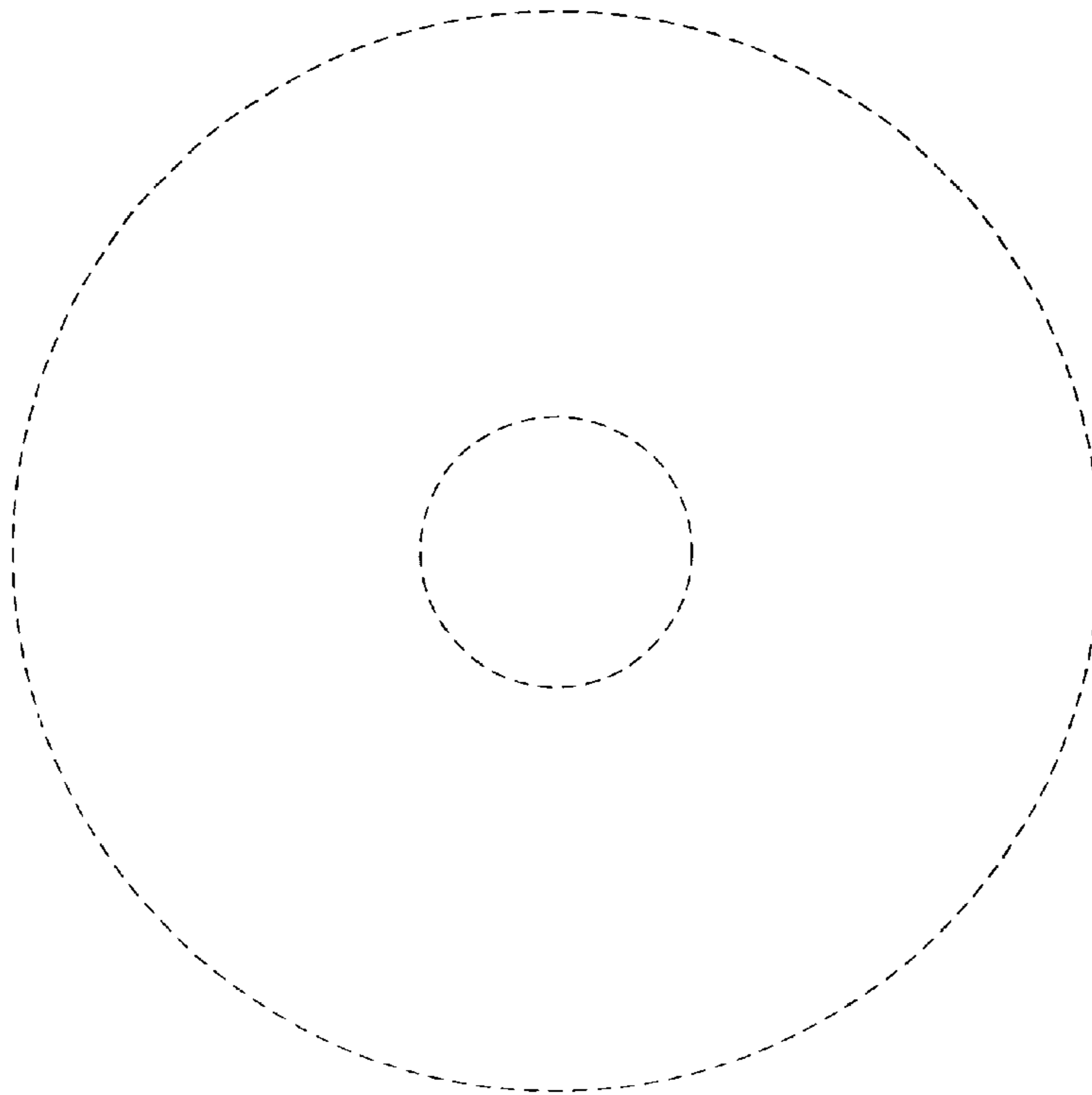
**1 Claim, 3 Drawing Sheets**



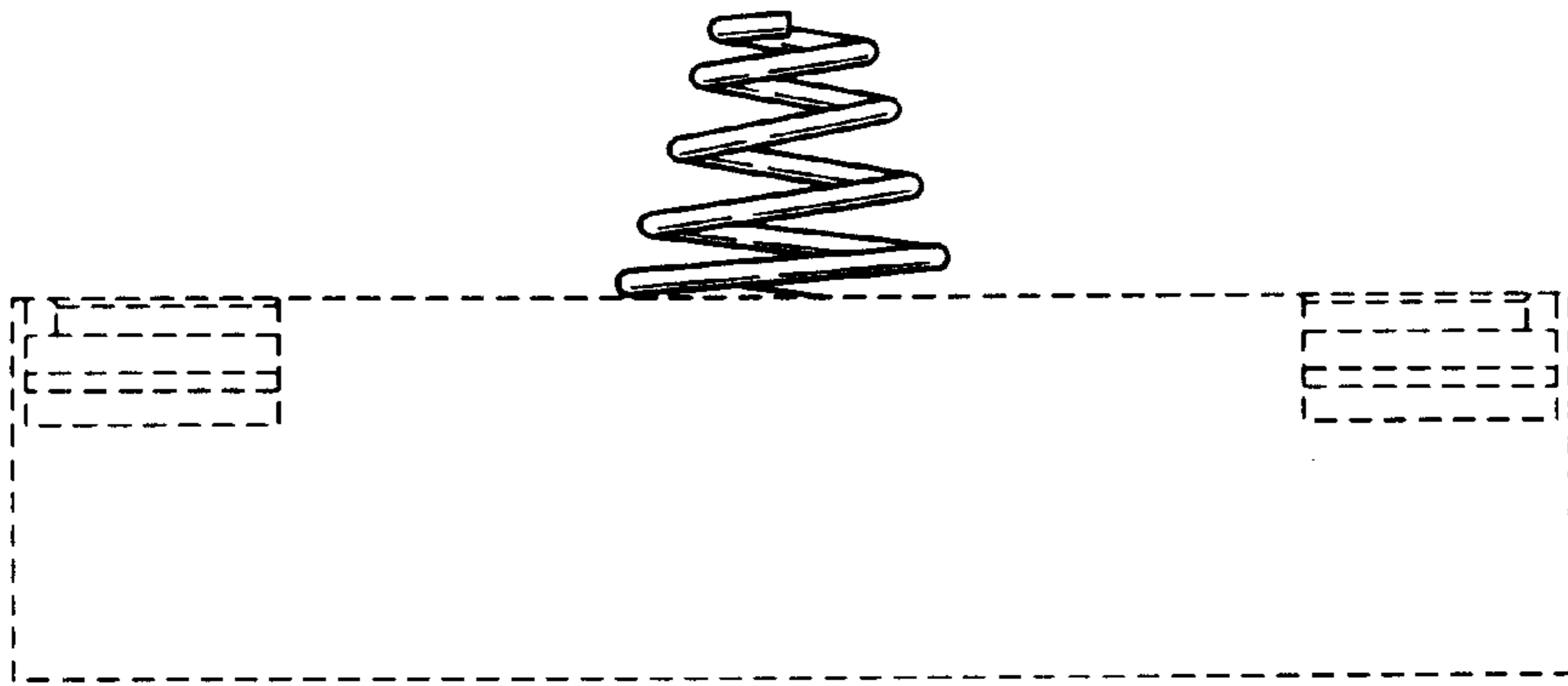
*FIG. 1*



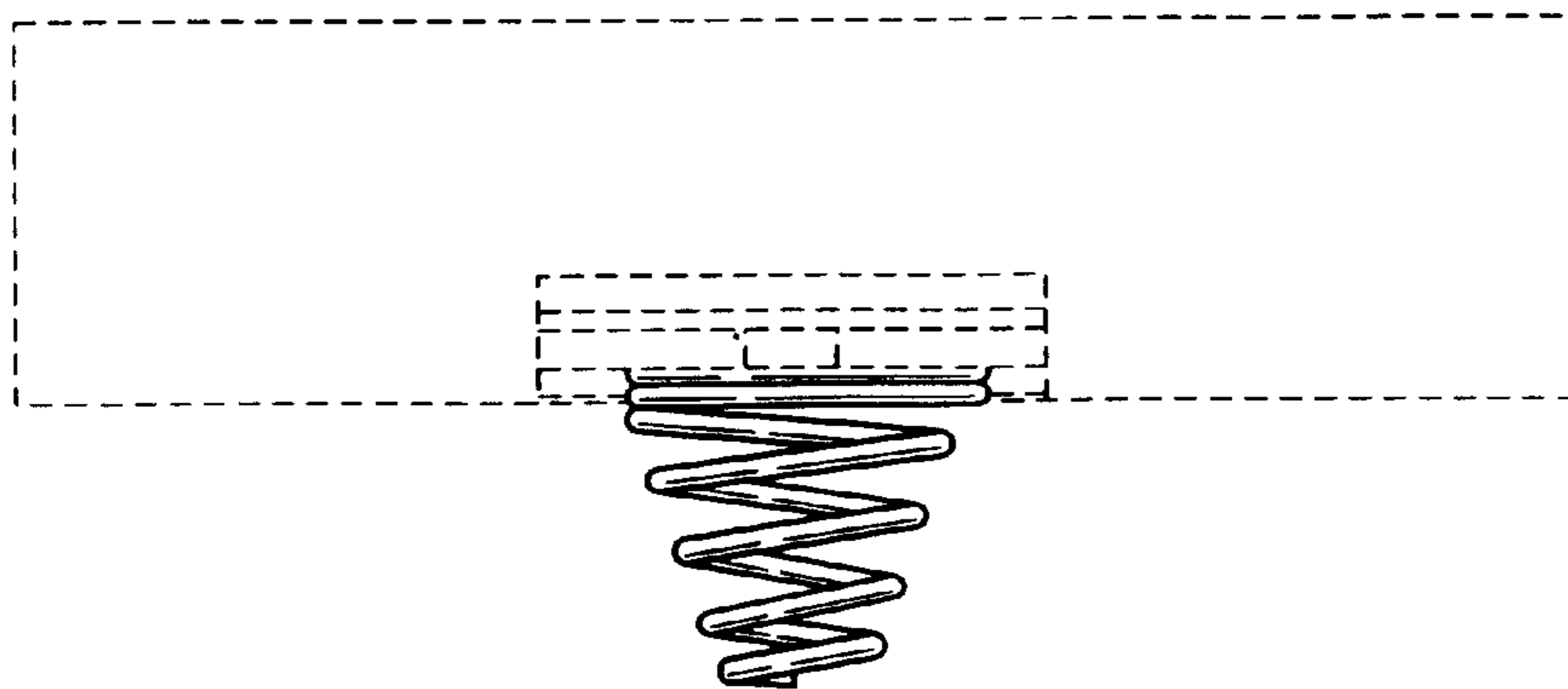
*FIG. 2*



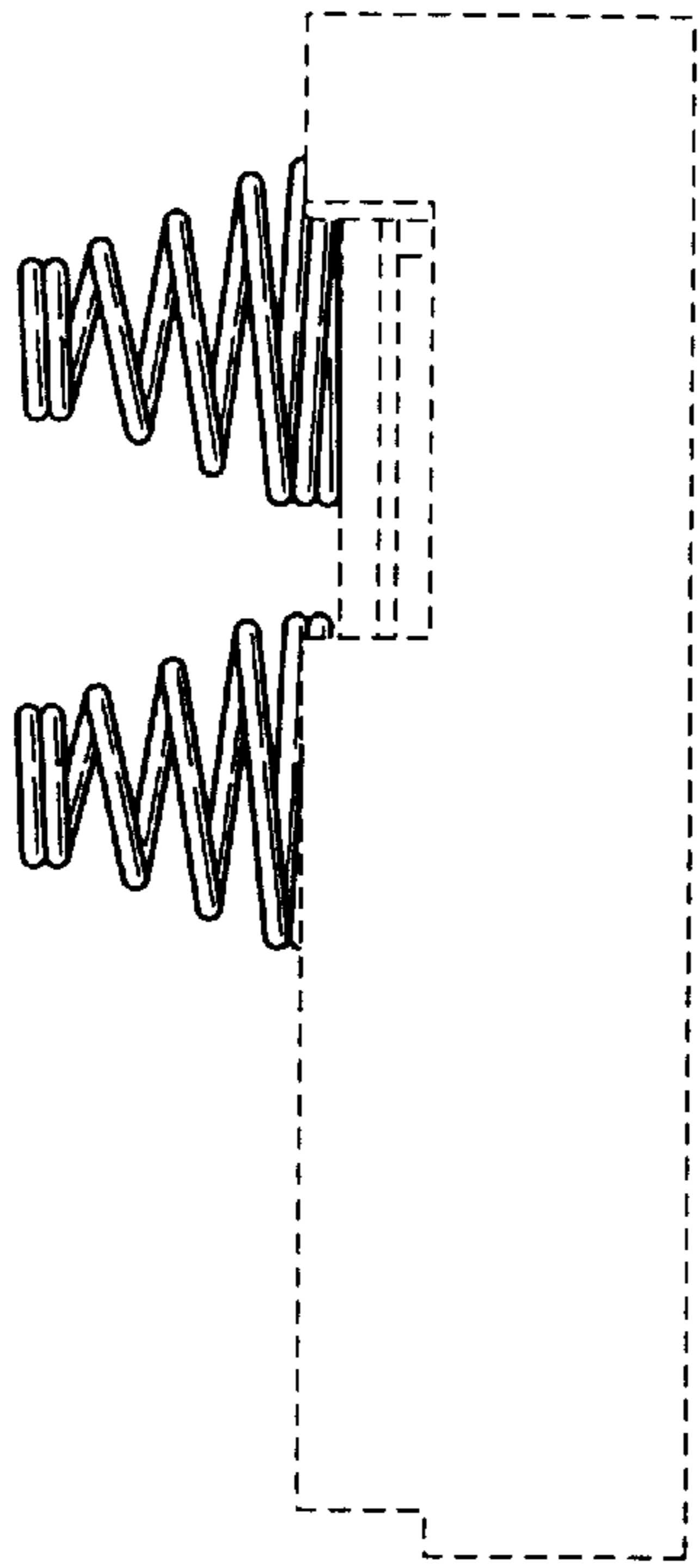
*FIG. 3*



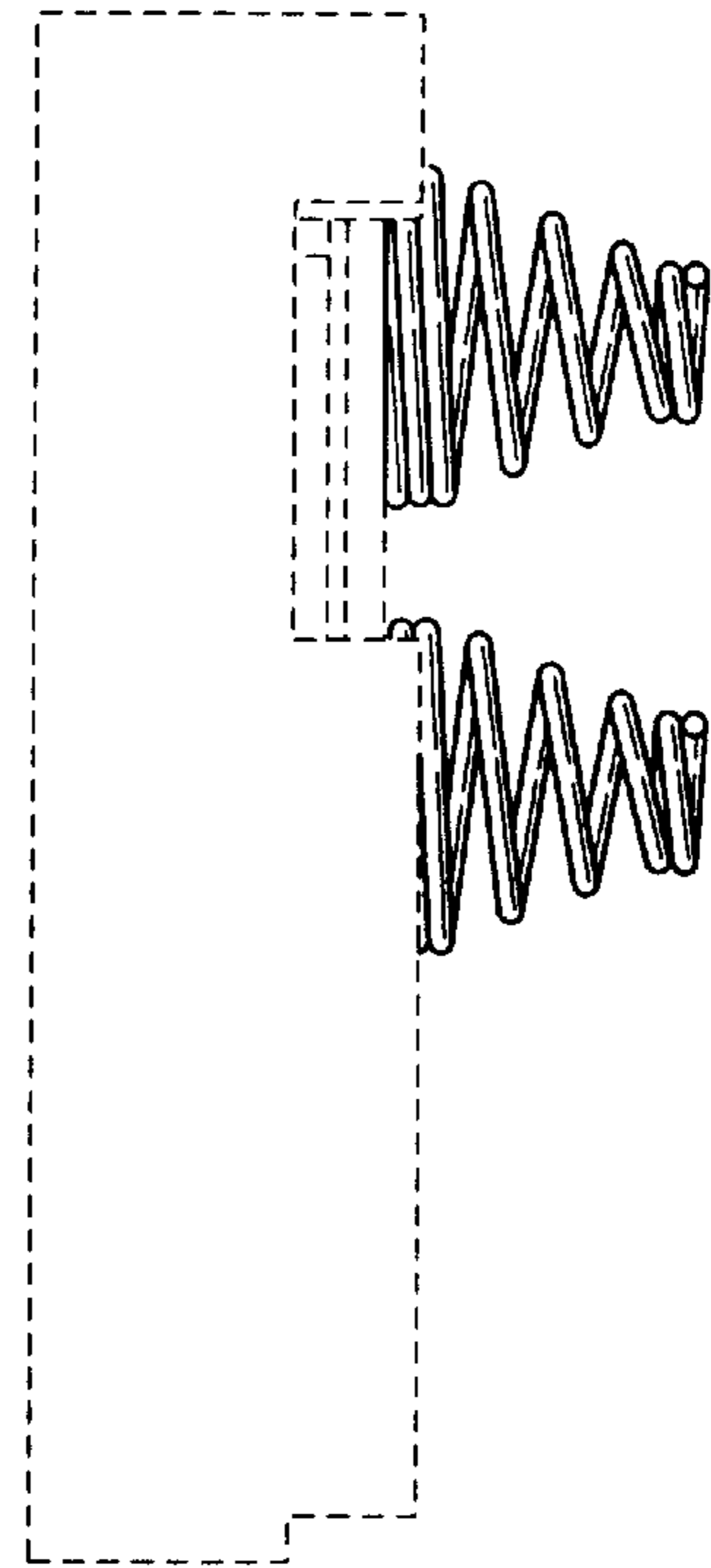
*FIG. 4*



*FIG. 5*



*FIG. 6*



*FIG. 7*

