



US00D452450B1

(12) **United States Design Patent**
Radtke

(10) **Patent No.:** **US D452,450 S**

(45) **Date of Patent:** **** Dec. 25, 2001**

(54) **COIL OVER PLUG ADAPTER**

(75) Inventor: **Lee Radtke**, Lake Zurich, IL (US)

(73) Assignee: **Snap-On Technologies, Inc.**,
Lincolnshire, IL (US)

(**) Term: **14 Years**

(21) Appl. No.: **29/127,607**

(22) Filed: **Aug. 10, 2000**

(51) **LOC (7) Cl.** **10-04**

(52) **U.S. Cl.** **D10/77**

(58) **Field of Search** **D10/77; 324/385-400**

(56) **References Cited**

U.S. PATENT DOCUMENTS

6,064,211 * 5/2000 Spooner 324/397

* cited by examiner

Primary Examiner—Antoine Duval Davis

(74) *Attorney, Agent, or Firm*—McDermott, Will & Emery

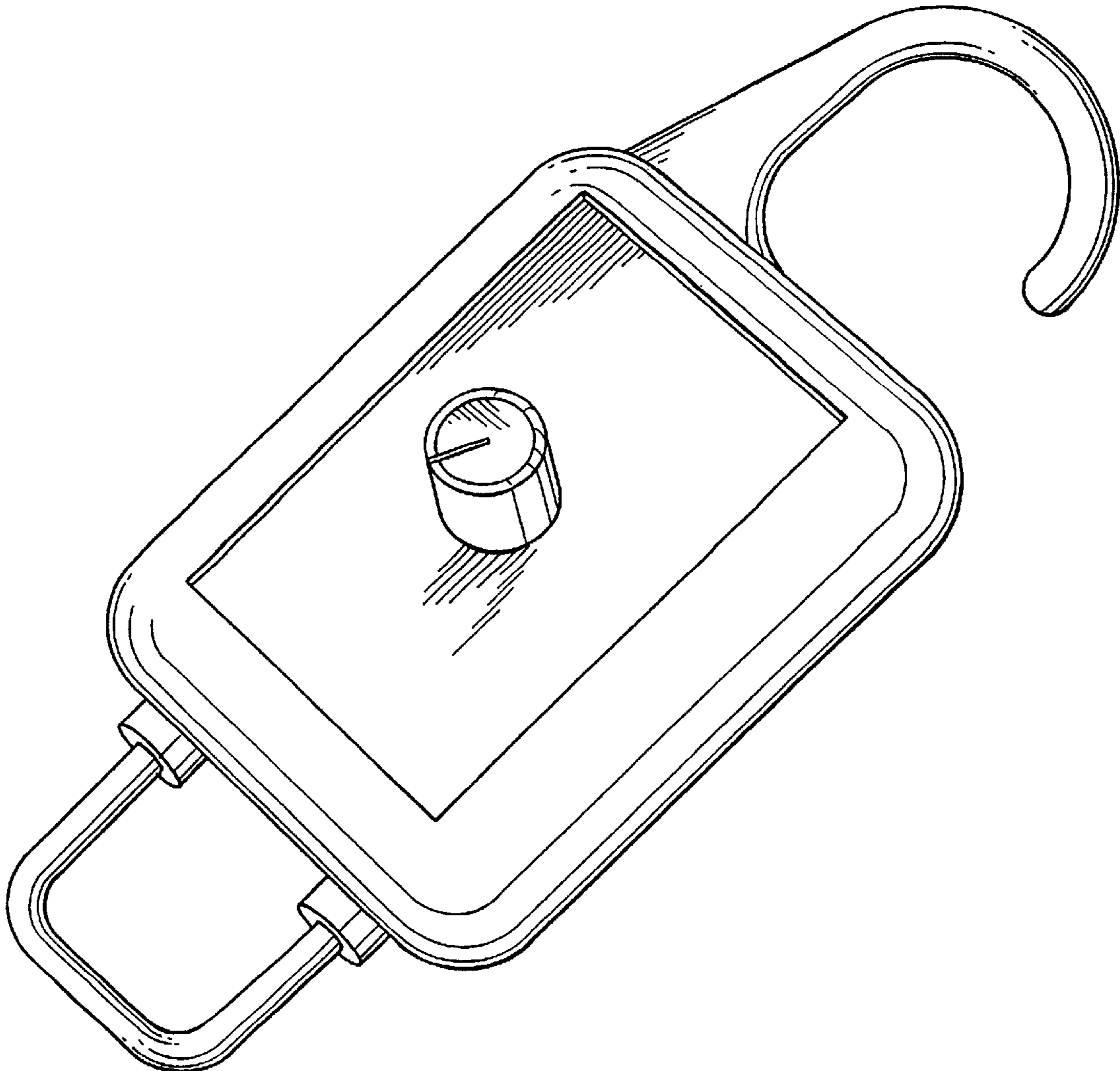
(57) **CLAIM**

The ornamental design for a coil over plug adapter, as shown and described.

DESCRIPTION

FIG. 1 is a front perspective view of the coil over plug adapter showing the new design; FIG. 2 is a front plan view thereof; FIG. 3 is a back plan view thereof; FIG. 4 is a left side view thereof; FIG. 5 is a right side view thereof; FIG. 6 is a top view thereof; and, FIG. 7 is a bottom view thereof.

1 Claim, 4 Drawing Sheets



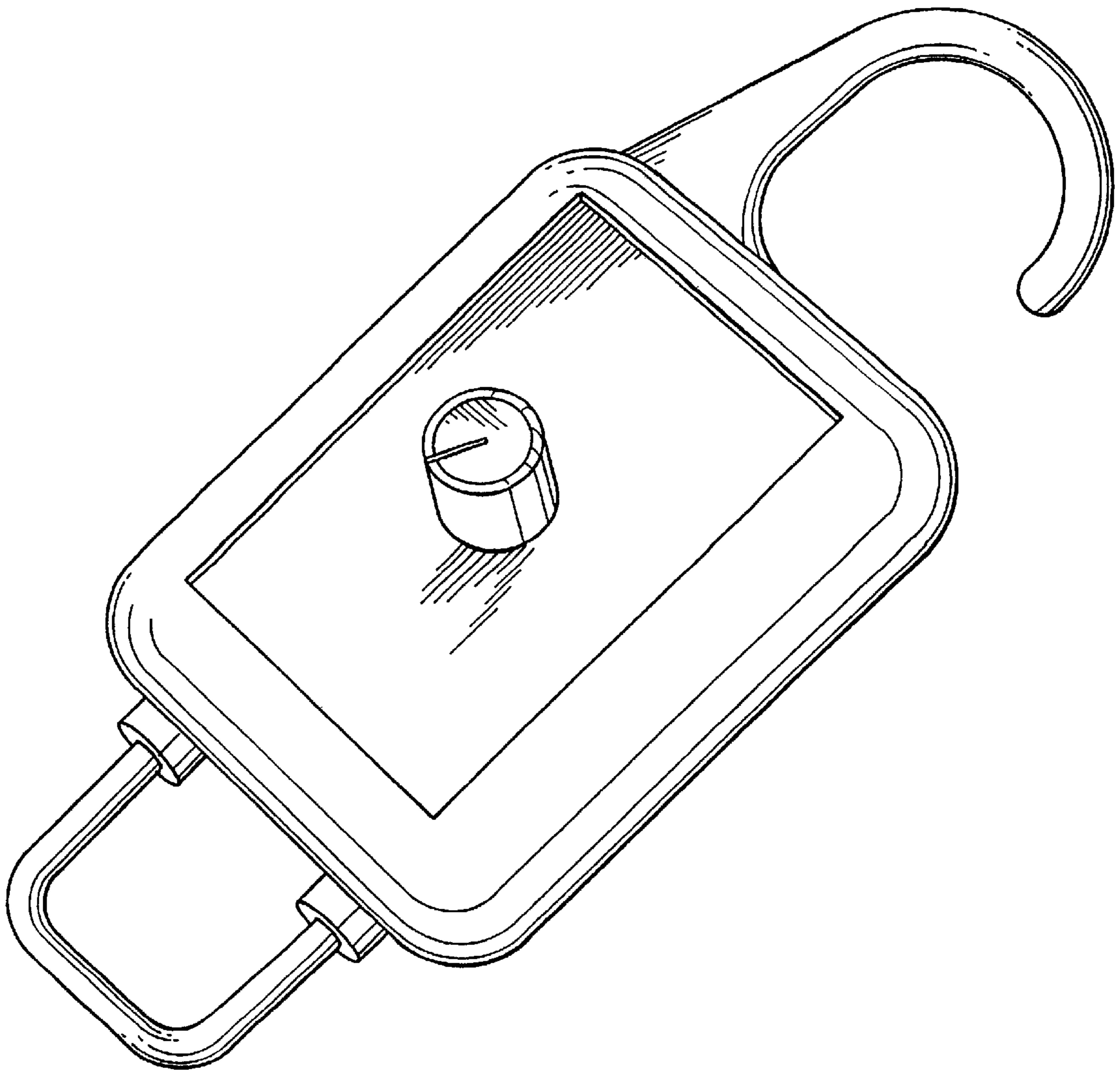


FIG. 1

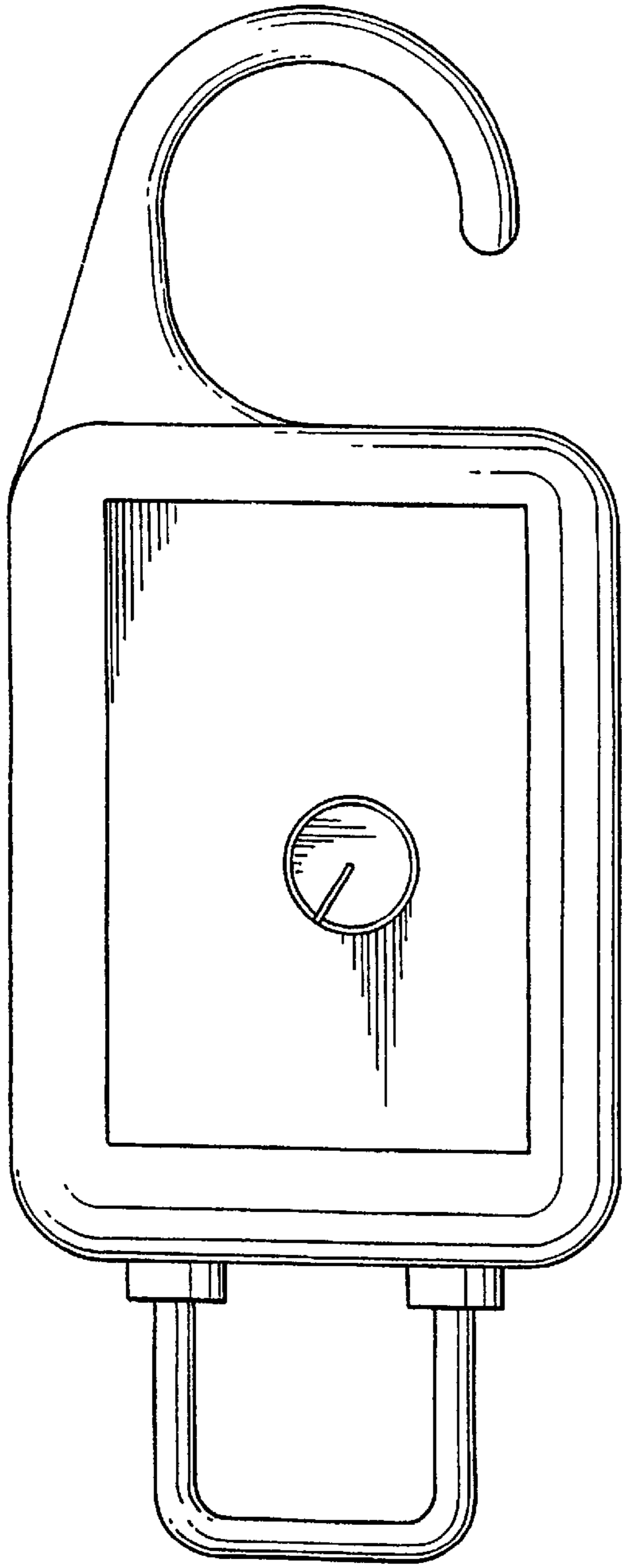


FIG. 2

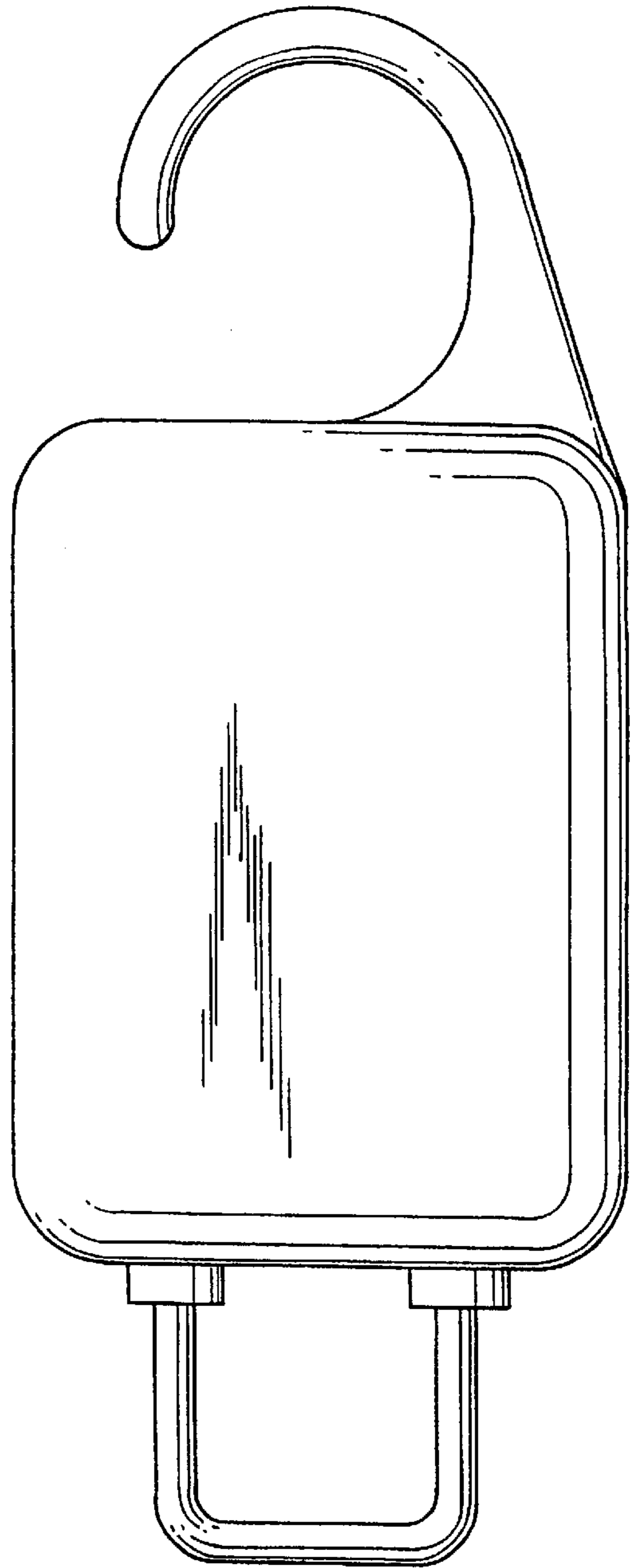


FIG. 3

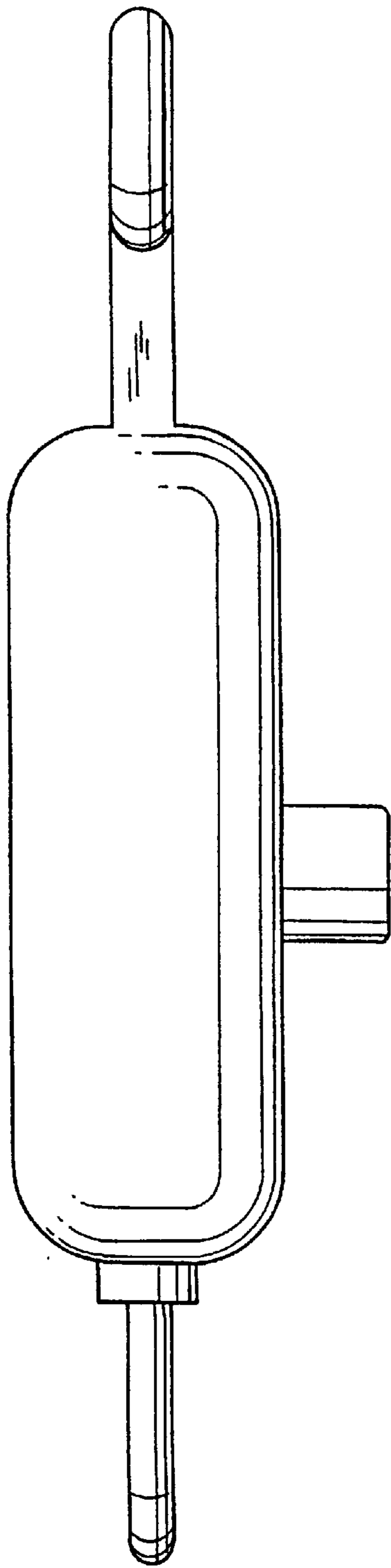


FIG. 4

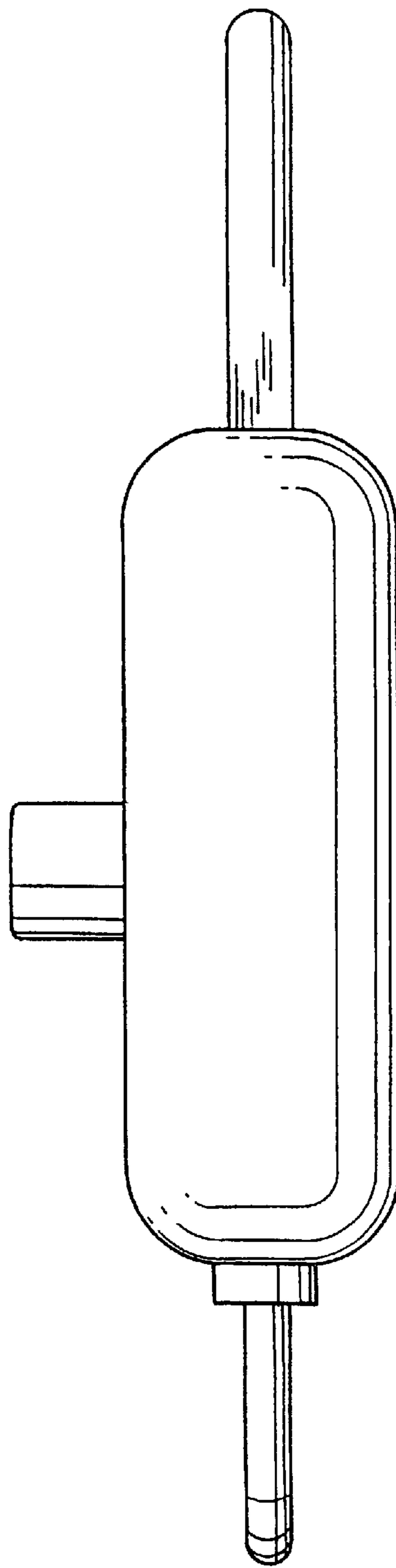


FIG. 5

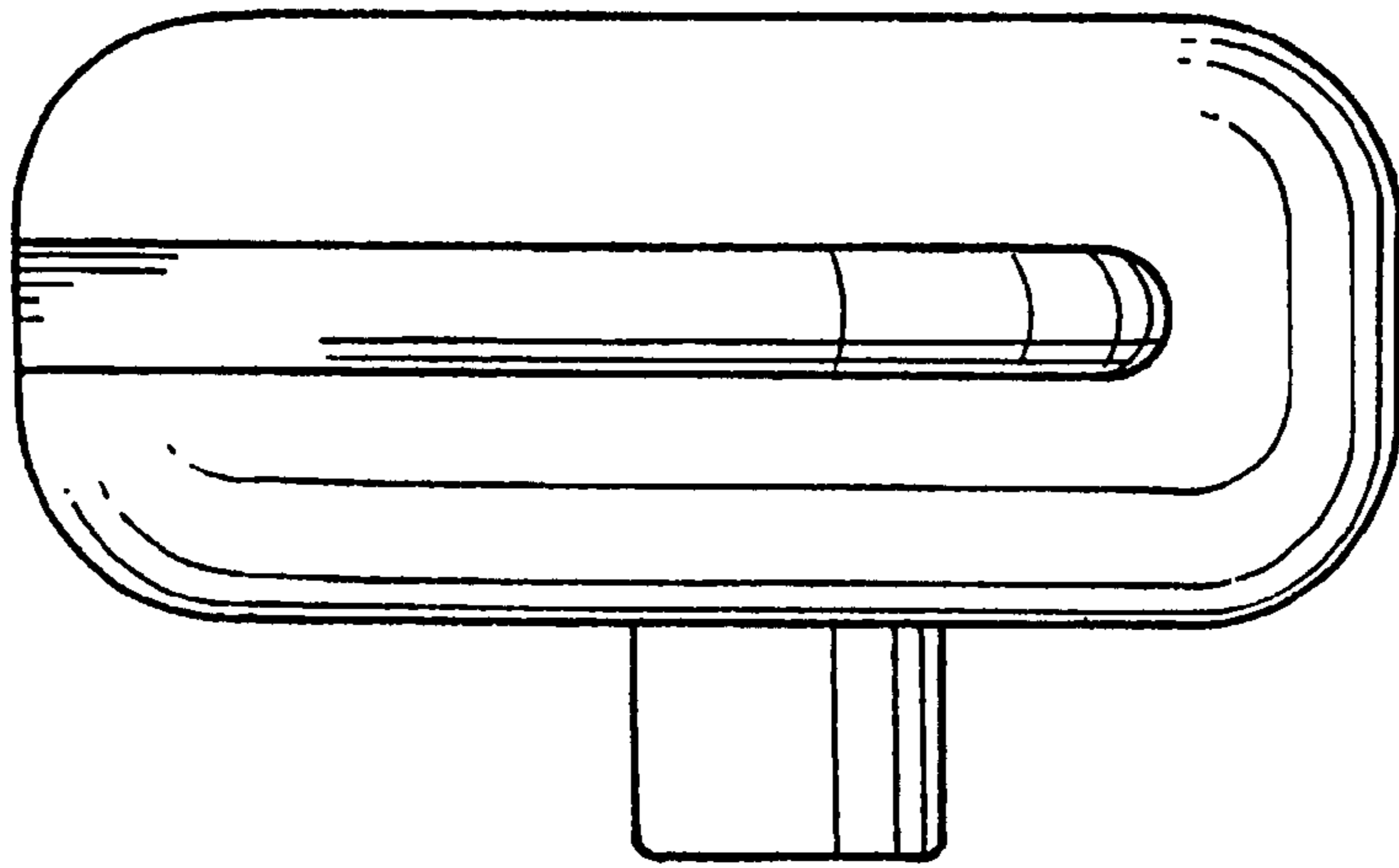


FIG. 6

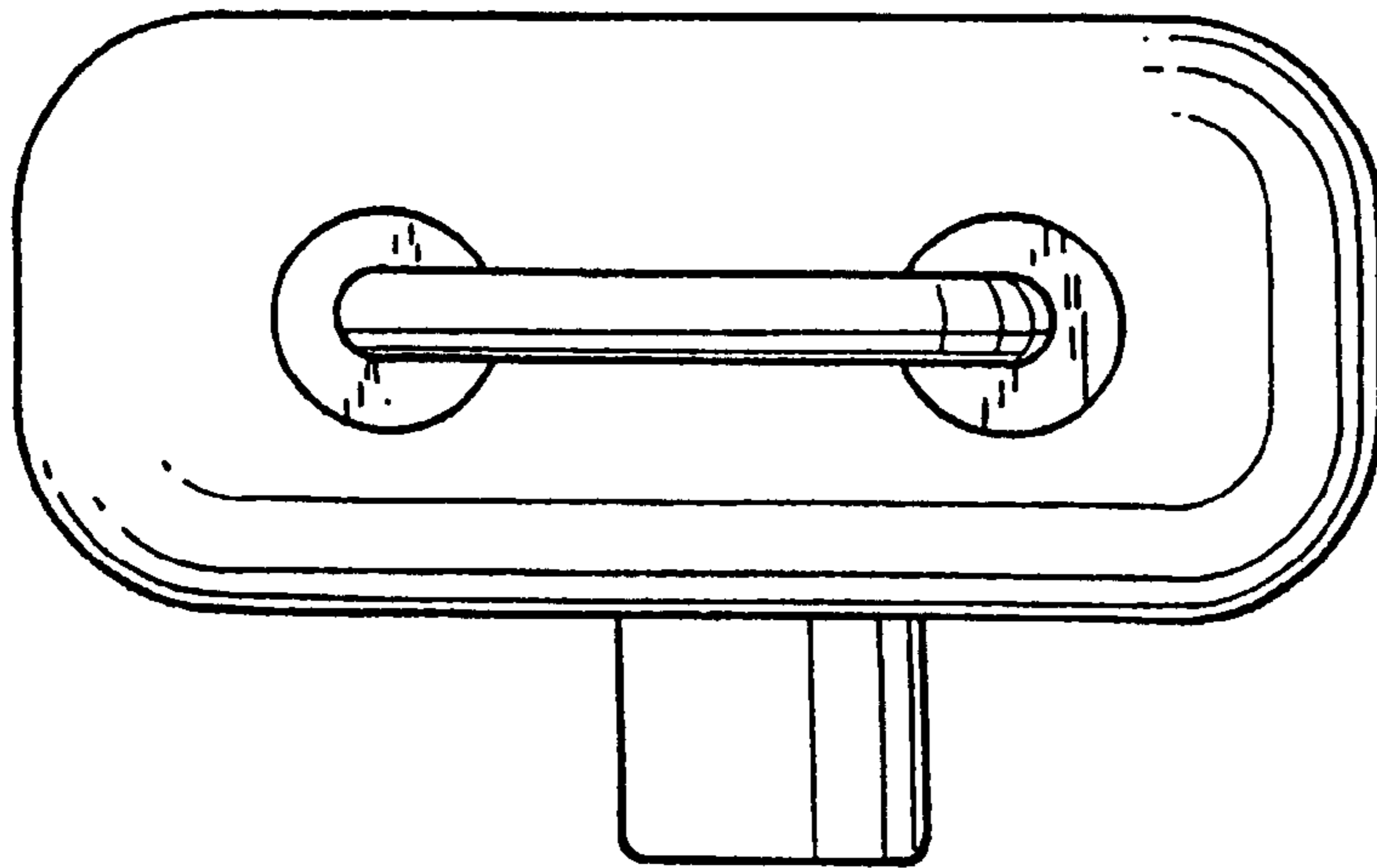


FIG. 7