



US00D452448B1

(12) **United States Design Patent**  
**Tseng**

(10) **Patent No.:** **US D452,448 S**

(45) **Date of Patent:** **\*\* Dec. 25, 2001**

(54) **CASING OF A CLOCK**

D. 303,506 \* 9/1989 Hatakeyama ..... D10/68  
2,344,468 \* 3/1944 May ..... 368/285

(76) Inventor: **Shu-Hua Tseng**, No.60, Long Men St.,  
Tsao Chiao Hsiang, Miao Li Hsien  
(TW)

\* cited by examiner

(\*\*) Term: **14 Years**

*Primary Examiner*—Martie K. Holtje

(74) *Attorney, Agent, or Firm*—Jacobson Holman, PLLC

(21) Appl. No.: **29/132,060**

(57) **CLAIM**

(22) Filed: **Nov. 2, 2000**

The ornamental design for a casing of a clock, as shown and described.

(51) **LOC (7) Cl.** ..... **10-01**

**DESCRIPTION**

(52) **U.S. Cl.** ..... **D10/25; D10/24; D10/1**

(58) **Field of Search** ..... D10/1, 2, 3-15,  
D10/16-18, 19-40, 122-132, 68; 368/10,  
276, 277, 285, 316, 317

FIG. 1 is a perspective view of a casing of a clock showing my new design;

FIG. 2 is a front elevation view thereof;

FIG. 3 is a rear elevation view thereof;

FIG. 4 is a left side elevation view thereof;

FIG. 5 is a right side elevation view thereof;

FIG. 6 is a top plan view thereof; and,

FIG. 7 is a bottom plan view thereof.

(56) **References Cited**

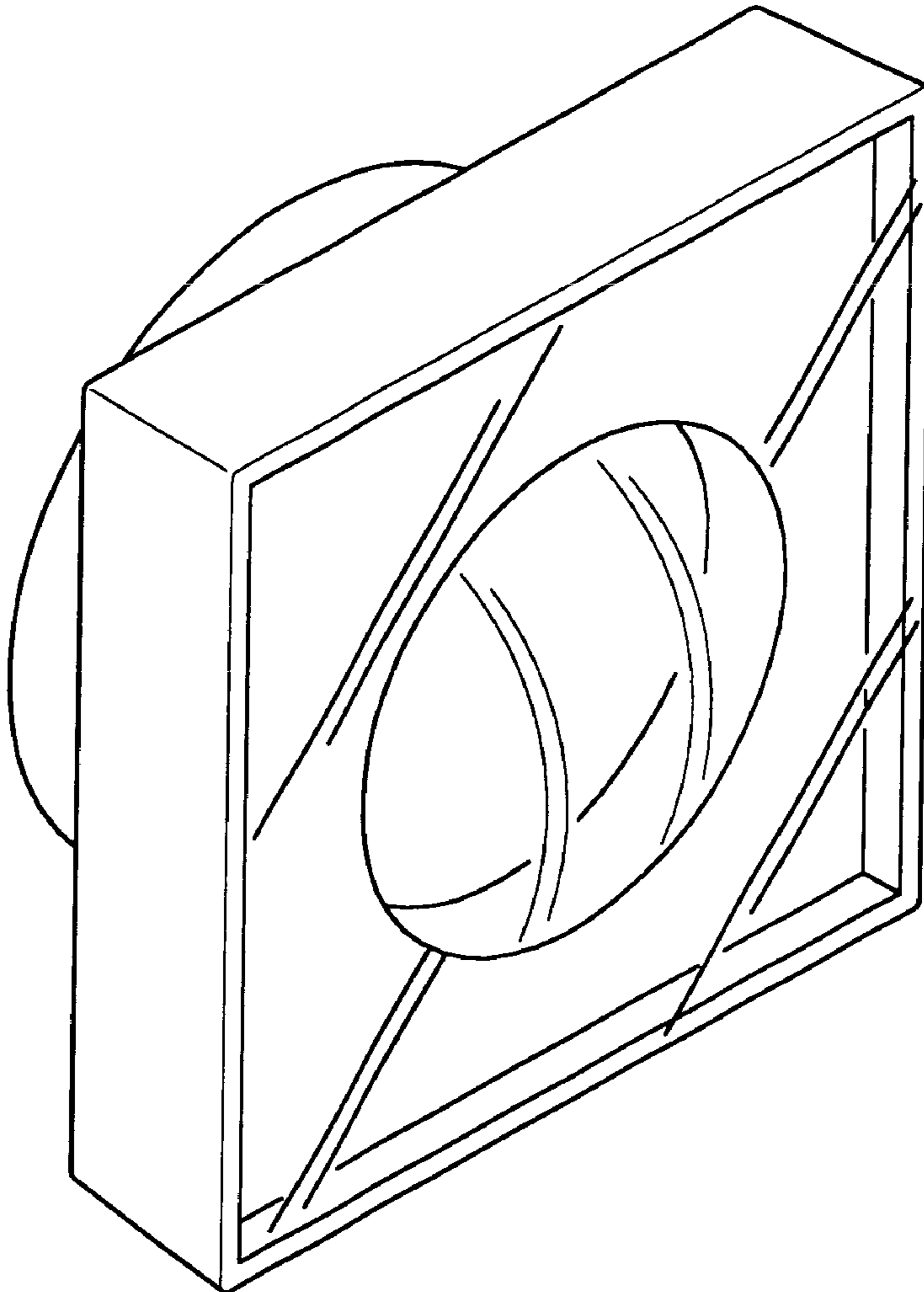
**U.S. PATENT DOCUMENTS**

D. 93,814 \* 11/1934 Brown ..... D10/24

D. 95,200 \* 4/1935 Brown ..... D10/34

D. 196,934 \* 11/1963 Brushon ..... D10/68 X

**1 Claim, 2 Drawing Sheets**



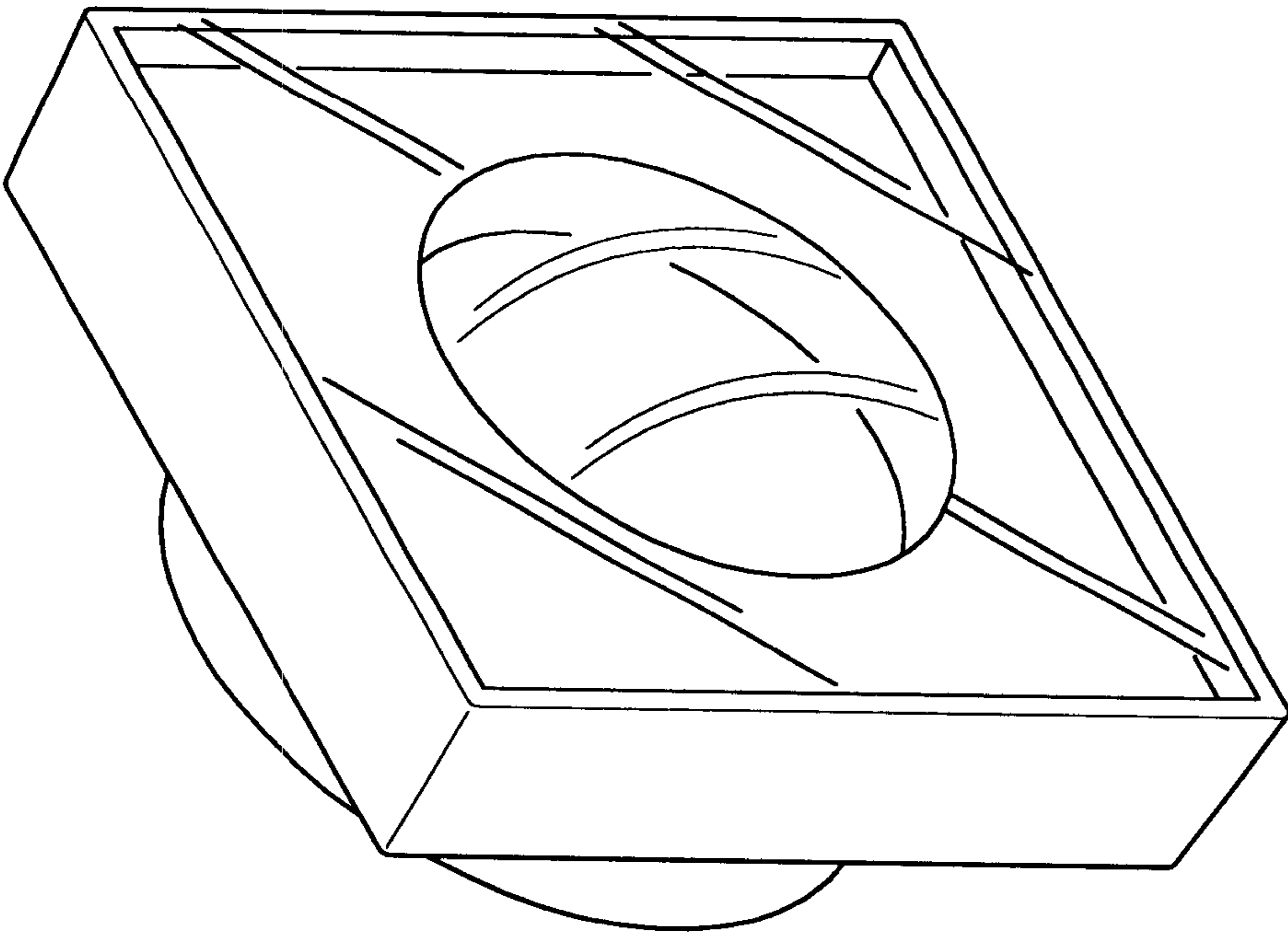


Fig. 1

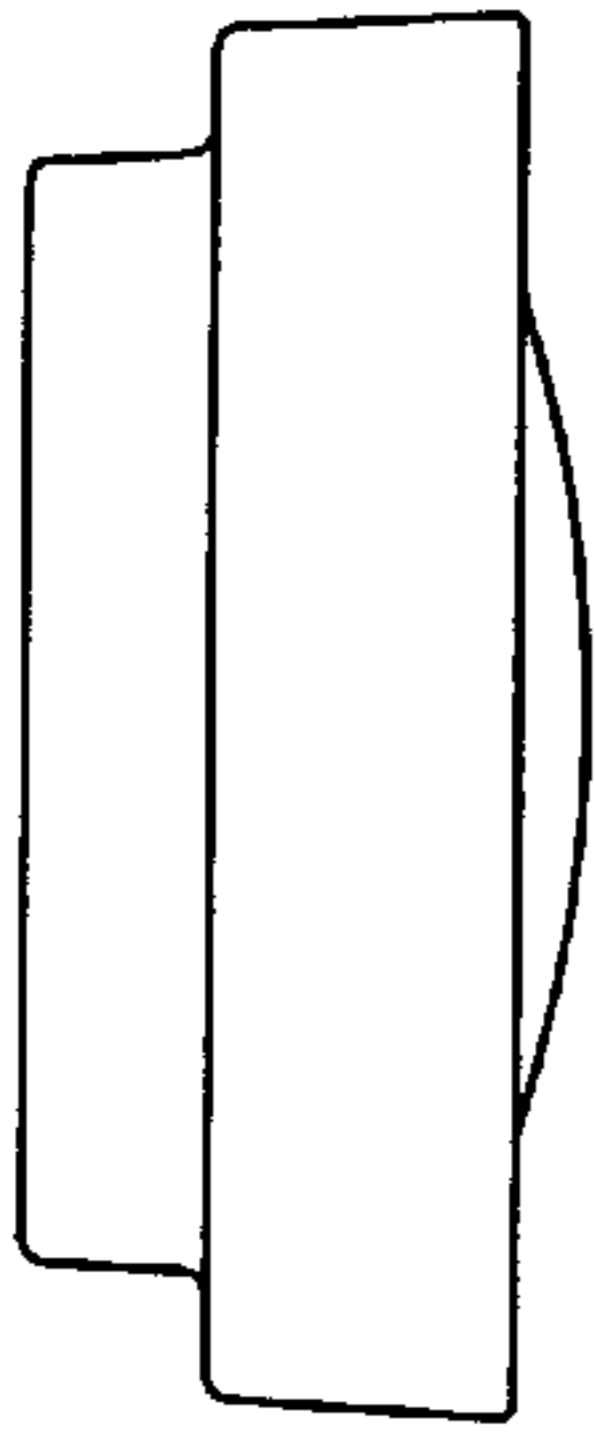


Fig.6

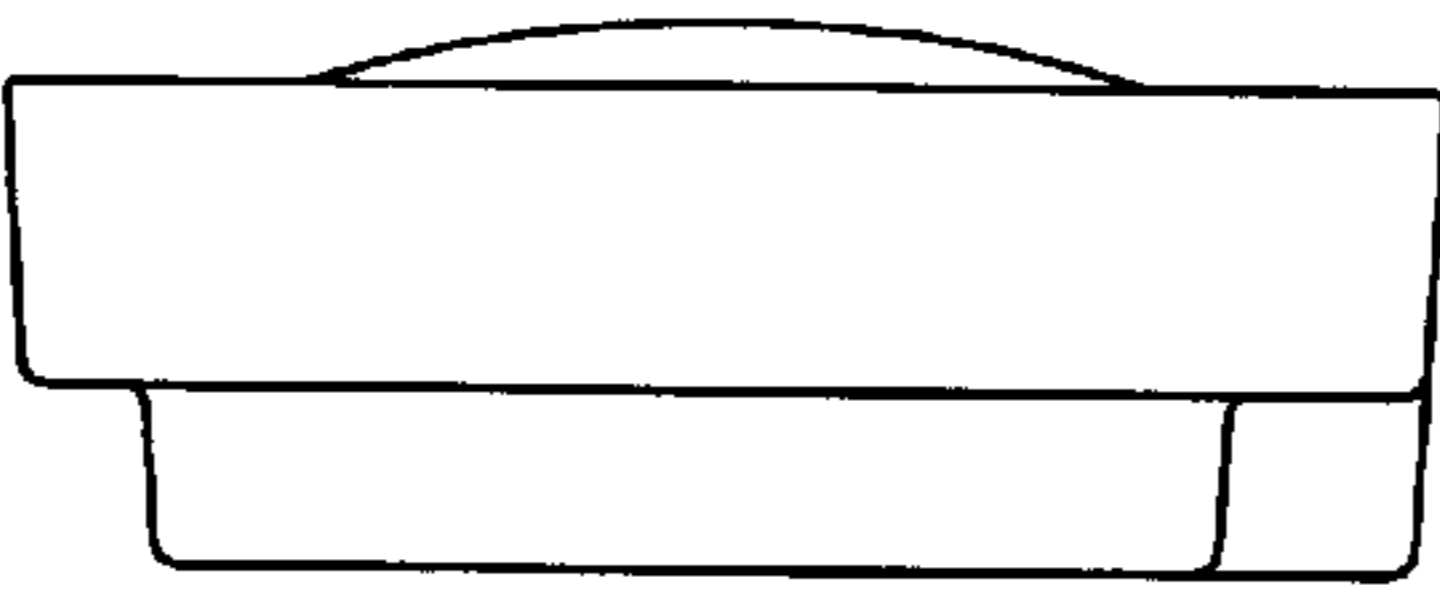


Fig.4

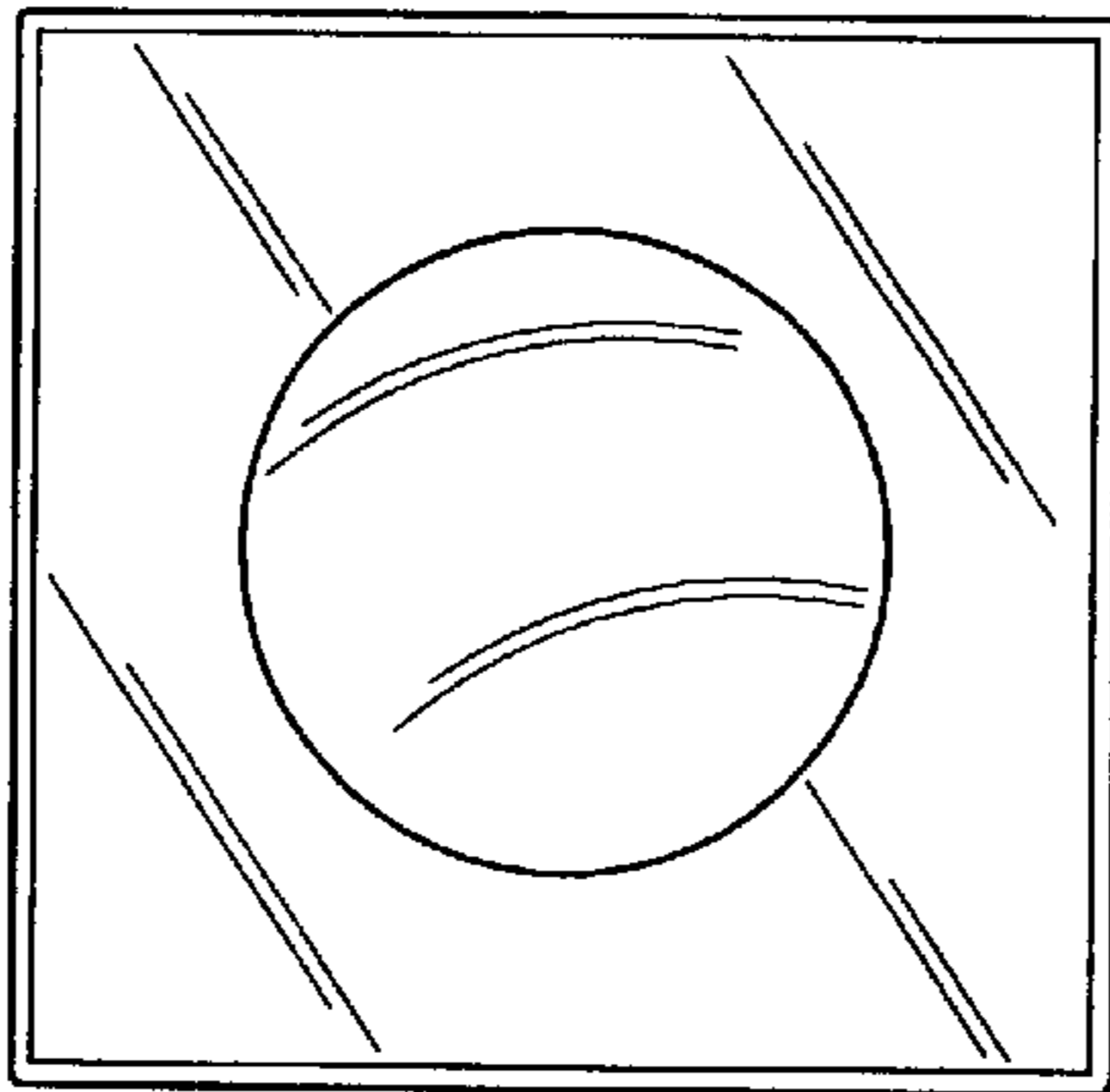


Fig.2

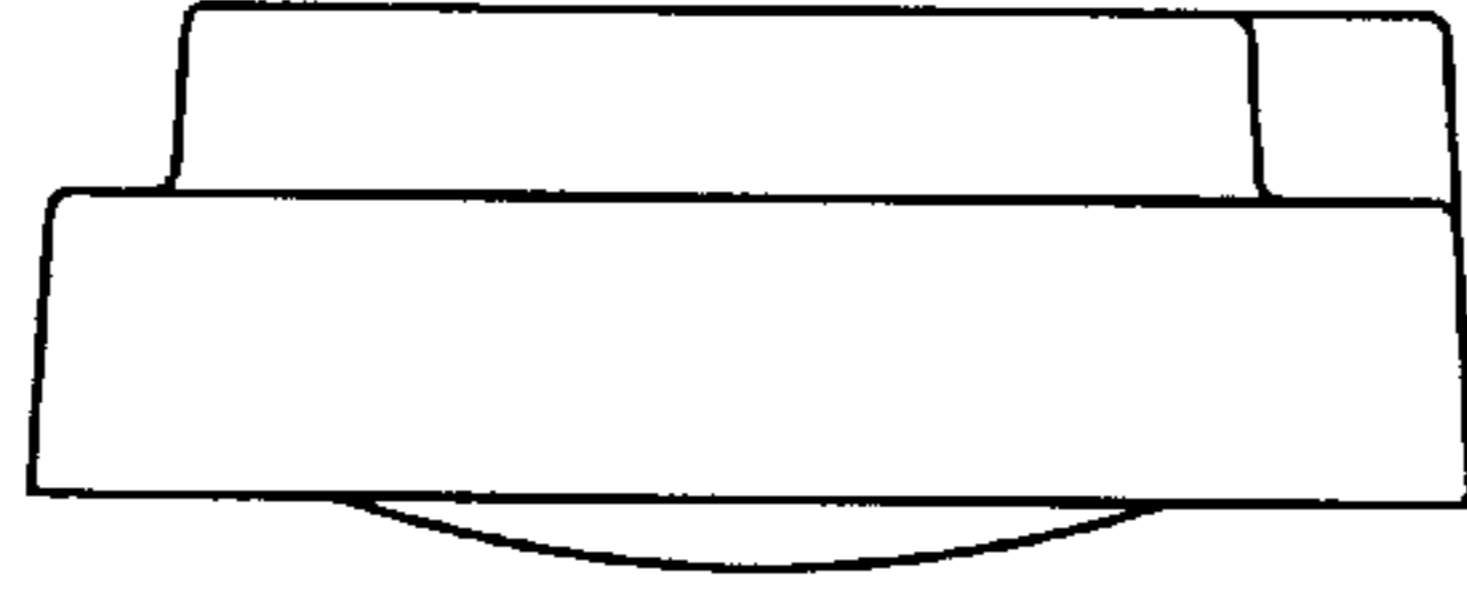


Fig.5

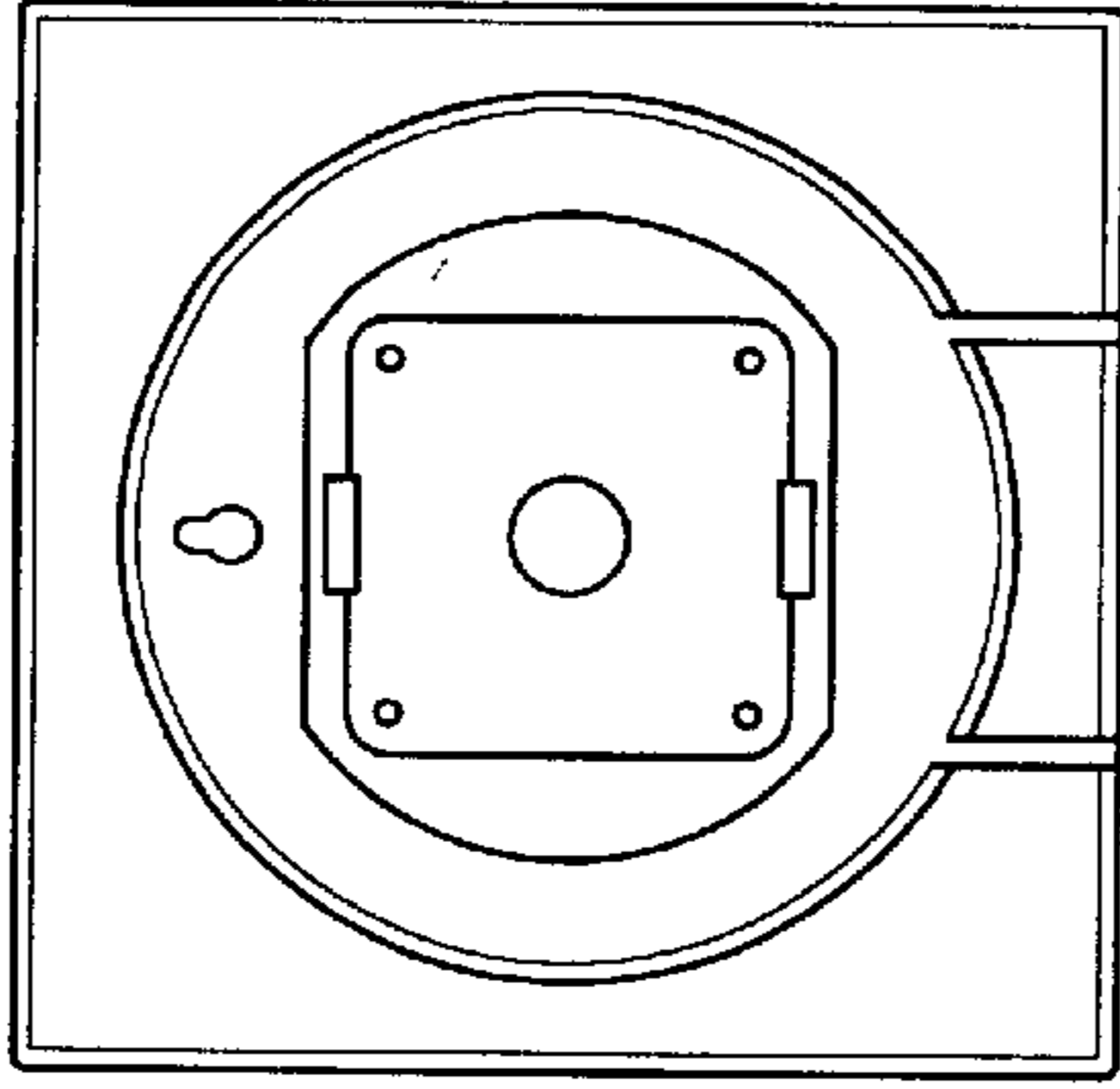


Fig.3

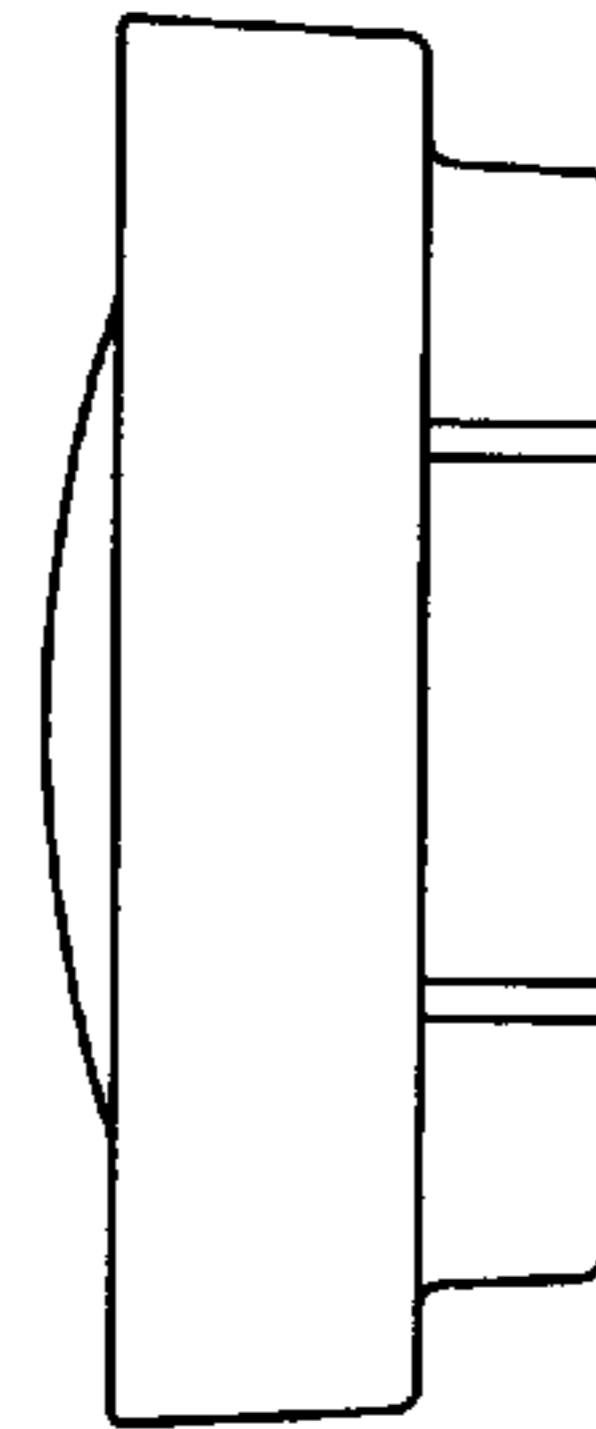


Fig.7