



US00D452445B1

(12) **United States Design Patent**
Silvers et al.

(10) **Patent No.:** **US D452,445 S**

(45) **Date of Patent:** **** Dec. 25, 2001**

(54) **BOTTLE**

(75) Inventors: **Kerry W. Silvers**, Chelsea; **Richard J. Steih**, Britton, both of MI (US)

(73) Assignee: **Schmalbach-Lubeca AG** (DE)

(**) Term: **14 Years**

(21) Appl. No.: **29/106,264**

(22) Filed: **Jun. 11, 1999**

(51) **LOC (7) Cl.** **09-01**

(52) **U.S. Cl.** **D9/538; D9/540; D9/546; D9/553**

(58) **Field of Search** D9/500, 502-505, D9/510, 516, 520, 522, 519, 530, 538-540, 541-546, 549-550, 559, 560, 564, 569, 571-575, 454, 414, 418, 428, 337, 513, 515, 521, 529; 215/382-384; 220/253-254, 258, 662, 669

(56) **References Cited**

U.S. PATENT DOCUMENTS

D. 228,626	*	10/1973	Knies	D9/347
D. 288,906	*	3/1987	Strand	D9/533
D. 314,142	*	1/1991	Briggs	D9/550
D. 315,869		4/1991	Collette	.	
D. 318,228		7/1991	Schlesselman	.	
D. 320,155		9/1991	Plockman, III et al.	.	
D. 321,830	*	11/1991	York et al.	D9/434
D. 339,291		9/1993	Leigner	.	
D. 344,457		2/1994	Prevot et al.	.	
D. 345,693	*	4/1994	Edstrom	D9/332
D. 364,093		11/1995	Weaver, Jr.	.	
D. 366,416	*	1/1996	Semersky	D9/434
D. 366,417	*	1/1996	Semersky	D9/434
D. 379,763		6/1997	Ewing, Jr.	.	
D. 382,807		8/1997	Silvers et al.	.	
D. 402,563	*	12/1998	Prevot et al.	D9/538

D. 402,896	*	12/1998	Conrad	D9/543
D. 424,446	*	5/2000	Silvers et al.	D9/520
D. 426,164	*	6/2000	Gans et al.	D9/541
D. 428,814	*	8/2000	Silvers et al.	D9/502
D. 429,647	*	8/2000	Warner et al.	D9/538
4,247,012	*	1/1981	Alberghini	215/373
5,092,475	*	3/1992	Krishnakumar et al.	215/381
5,141,120		8/1992	Brown et al.	.	
5,303,834	*	4/1994	Krishnakumar et al.	215/381
5,704,503	*	1/1998	Krishnakumar et al.	215/381
6,016,932	*	1/2000	Gaydosh et al.	215/382

* cited by examiner

Primary Examiner—Philip S. Hyder

Assistant Examiner—Carol Rademaker

(74) *Attorney, Agent, or Firm*—Harness, Dickey & Pierce, P.L.C.

(57) **CLAIM**

The ornamental design for a bottle, as shown and described.

DESCRIPTION

FIG. 1 is a rear perspective of the bottle of the present invention;

FIG. 2 is a front elevational view of the bottle of the present invention;

FIG. 3 is a side elevational view of the bottle of the present invention;

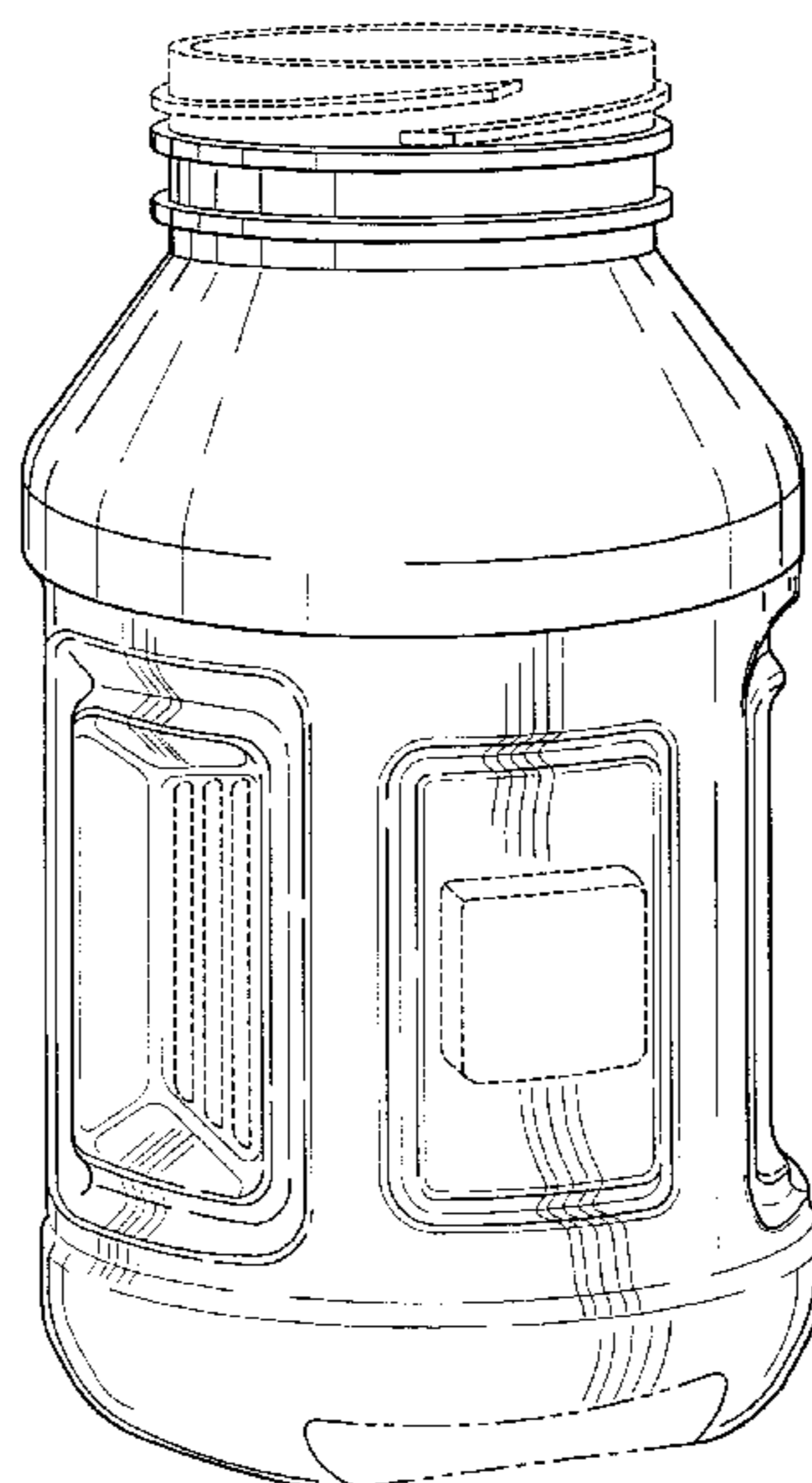
FIG. 4 is a top plan view of the bottle of the present invention; and,

FIG. 5 is a bottom plan view of the bottle of the present invention.

The dot-dash lines shown in FIGS. 1, 3, & 5 represent the boundary of the claim, but are not part of the claimed design.

The dotted lines shown in FIGS. 1-5 of the threads and of the central portion of the bottom are for illustrative purposes only and form no part of the claimed design.

1 Claim, 3 Drawing Sheets



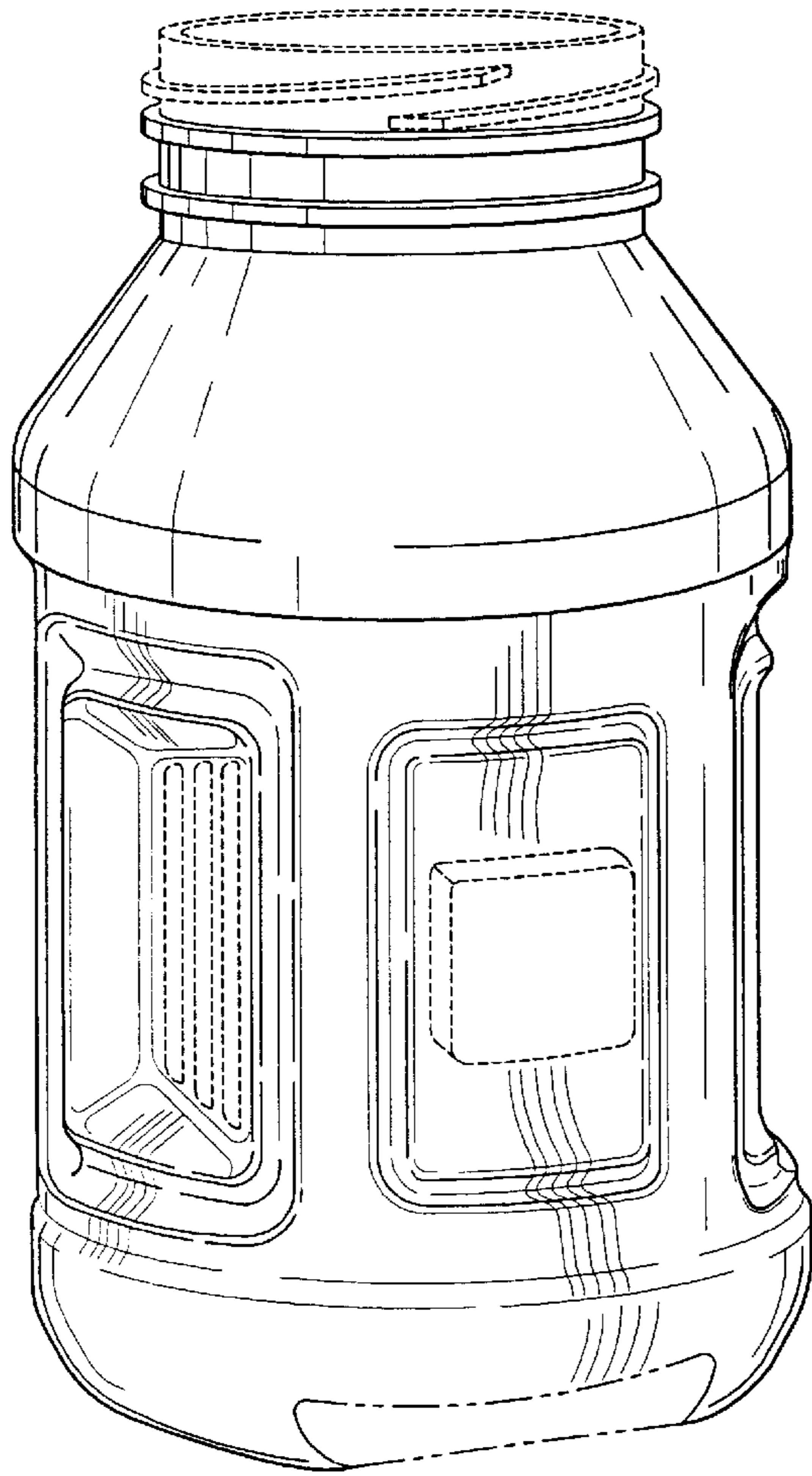


Fig-1

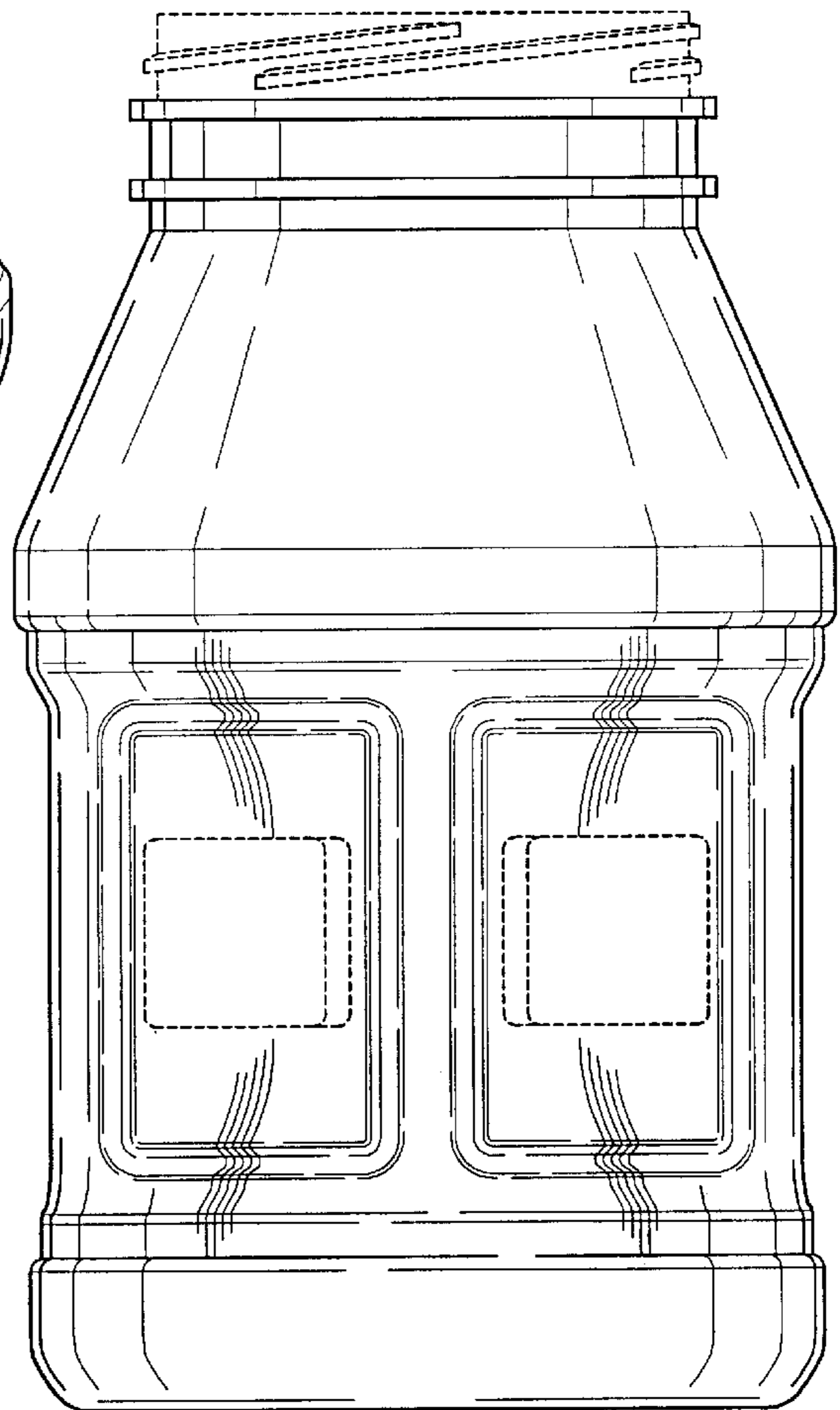


Fig-2

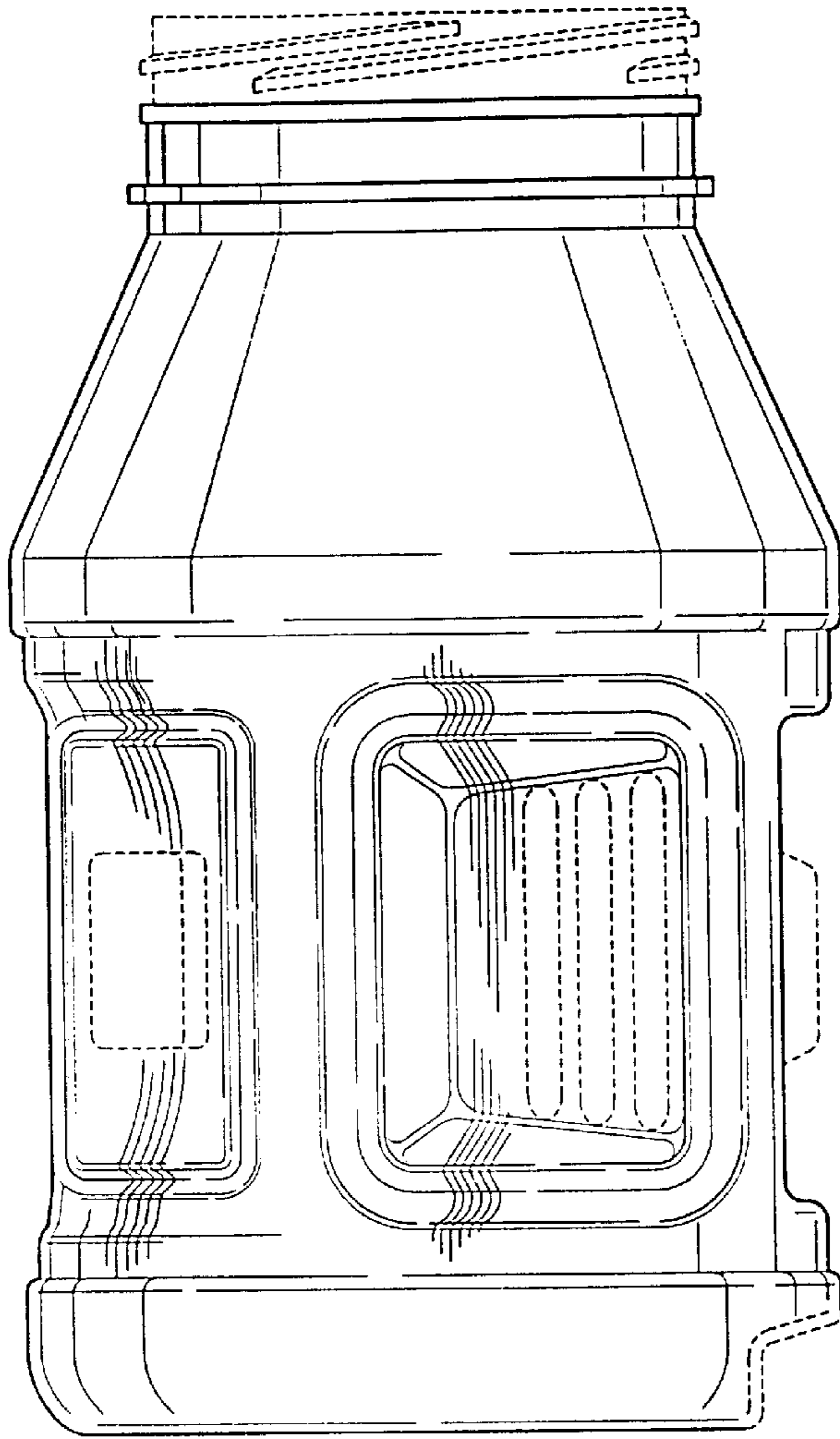


Fig-3

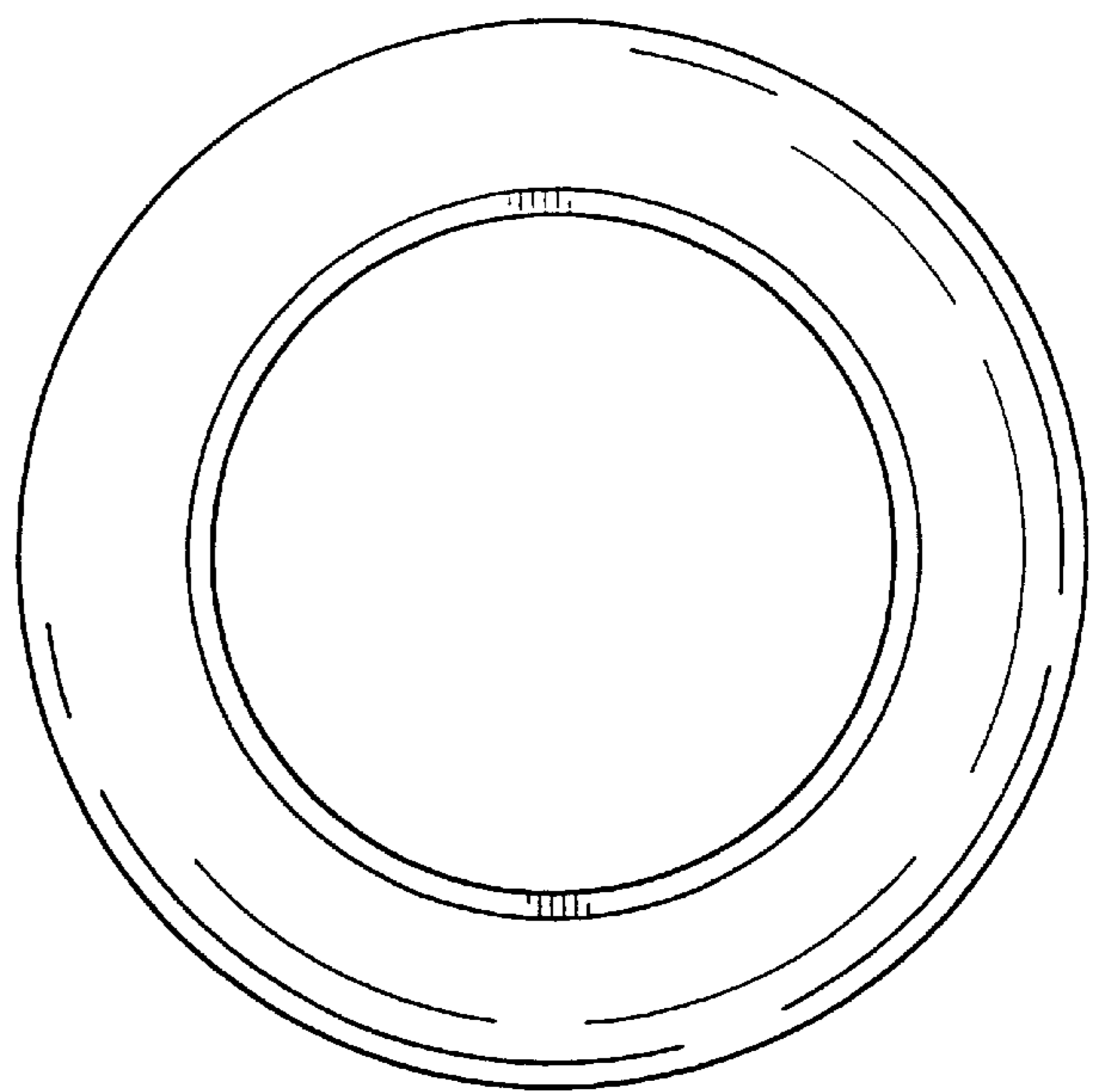


Fig-4

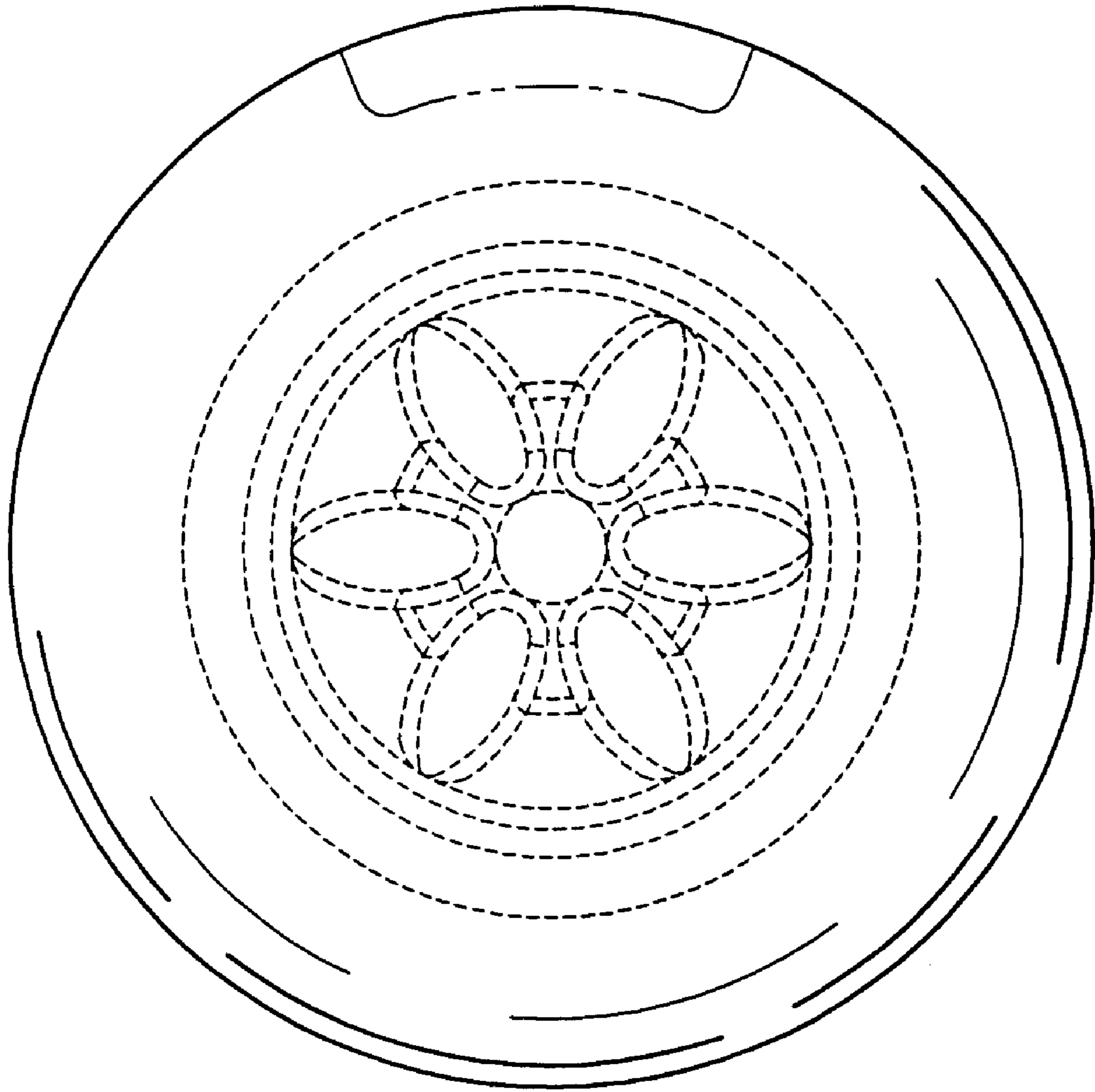


Fig-5