



US00D452437B1

(12) **United States Design Patent**  
**Bezek et al.**

(10) **Patent No.: US D452,437 S**

(45) **Date of Patent: \*\* \*Dec. 25, 2001**

(54) **SNACK PACKAGING**

(75) Inventors: **Edward Anthony Bezek**, Frisco; **David Charlton McFadden, III**, Dallas, both of TX (US)

(73) Assignee: **Recot, Inc.**, Pleasanton, CA (US)

(\* ) Notice: This patent is subject to a terminal disclaimer.

(\*\*) Term: **14 Years**

(21) Appl. No.: **29/143,542**

(22) Filed: **Jun. 14, 2001**

(51) **LOC (7) Cl. .... 09-03**

(52) **U.S. Cl. .... D9/502; D9/503; D9/518**

(58) **Field of Search** ..... D7/12.1-12.2, D7/510-512; D9/307, 337-339, 500, 502-505, 511, 513, 516, 518, 529-530, 539-542, 549, 558, 569, 574; 215/6, 381-384, 396, 398; 220/906; 426/43, 115, 120, 234, 583-584

(56) **References Cited**

**U.S. PATENT DOCUMENTS**

Re. 30,805	11/1981	Rhoads .	
D. 60,556	3/1922	Marble .	
D. 90,433	* 8/1933	Borokoff .....	D9/502
D. 149,178	* 4/1948	Genske .....	D9/505
D. 187,162	2/1960	Lerner et al. .	
D. 192,334	3/1962	Eicholtz .	
D. 199,413	10/1964	Levinson .	
D. 208,222	8/1967	Slomski .	
D. 212,589	* 11/1968	Roberts .....	D9/503
D. 212,871	12/1968	Anderson .	
D. 222,336	10/1971	Leary .	
D. 246,896	1/1978	Plummer .	
D. 247,471	3/1978	Strand .	
D. 247,472	3/1978	Byrne .	
D. 247,847	5/1978	Kretz .	
D. 254,840	4/1980	Aldrich, III .	
D. 263,685	4/1982	Smith .	
D. 266,648	10/1982	Plewes et al. .	
D. 285,656	9/1986	Champion .	

D. 321,649	11/1991	Lambe, Jr. et al. .
D. 322,570	12/1991	Nylander .
D. 328,710	8/1992	Deflander .
D. 331,362	12/1992	Andersson et al. .
D. 333,268	2/1993	Arlinghaus et al. .
D. 338,831	8/1993	Osip et al. .
D. 345,695	4/1994	Frazer et al. .

(List continued on next page.)

**FOREIGN PATENT DOCUMENTS**

2646071	4/1989	(FR) .
WO 92/04243	3/1992	(WO) .

**OTHER PUBLICATIONS**

Advertisement by Land O' Ljakes showing a personal size container for beverages, trademarked as the "Grip". It also has a resealable top. "Grip And Go Milk".

*Primary Examiner*—Ted Shooman

*Assistant Examiner*—Carol Rademaker

(74) *Attorney, Agent, or Firm*—Carstens, Yee & Cahoon; Colin P. Cahoon

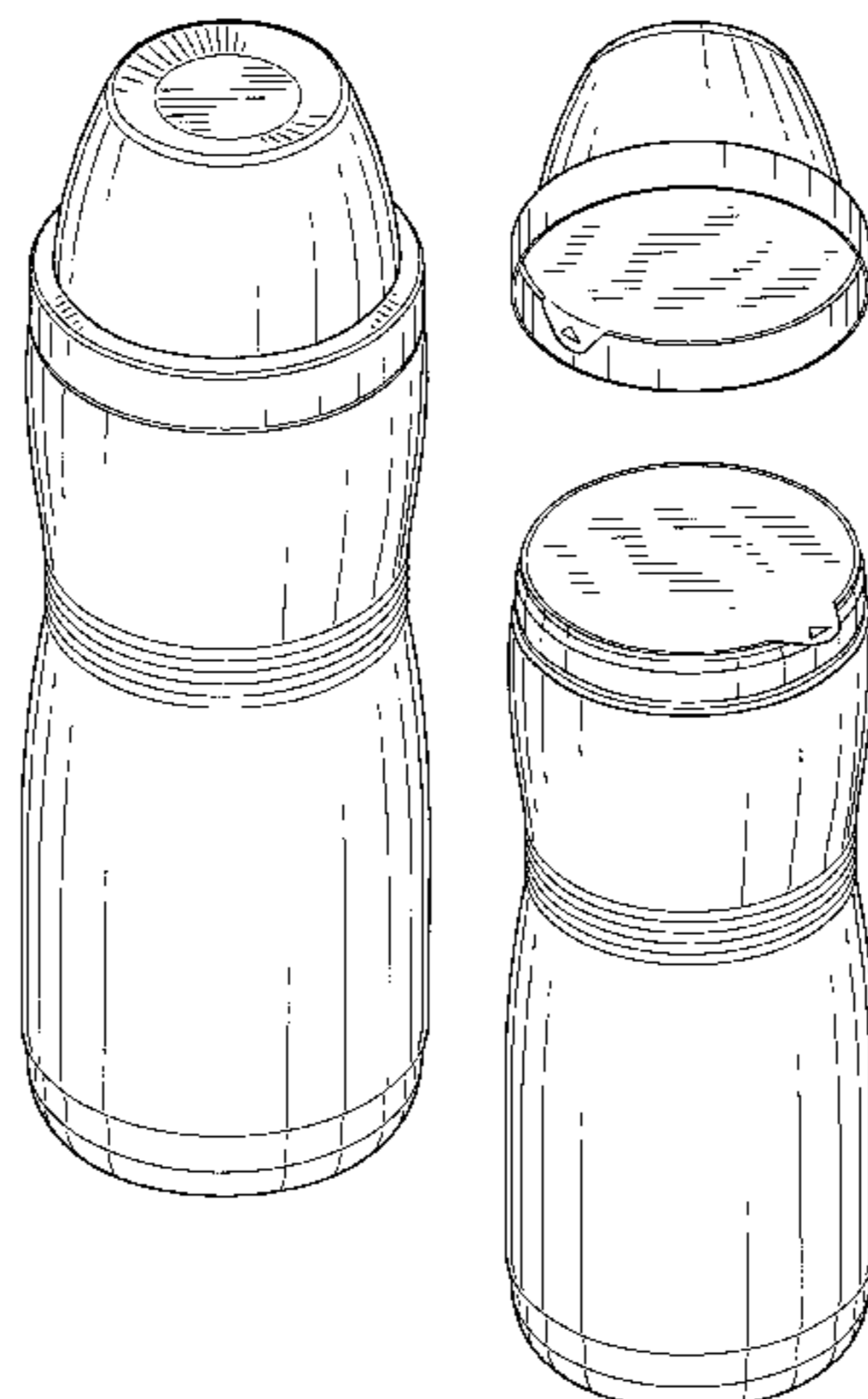
(57) **CLAIM**

The ornamental design for a snack packaging, as shown and described.

**DESCRIPTION**

FIG. 1 is a top perspective view of the snack packaging of the present invention;  
FIG. 2 is a side view of the snack packaging of the present invention;  
FIG. 3 is a top view of the snack packaging of the present invention;  
FIG. 4 is a bottom view of the snack packaging of the present invention;  
FIG. 5 is a bottom perspective view of the snack packaging of the present invention;  
FIG. 6 is a perspective view of the snack packaging of the present invention, shown in exploded condition; and,  
FIG. 7 is a side view of the snack packaging of the present invention, shown in exploded condition.

**1 Claim, 3 Drawing Sheets**



# US D452,437 S

Page 2

## U.S. PATENT DOCUMENTS

D. 353,328	12/1994	Nuffer .		2,355,044	8/1944	Almgren .	
D. 365,021	12/1995	Park .		2,533,349	12/1950	Burger .	
D. 371,304	7/1996	Onneweer .		2,543,427	2/1951	Warne .	
D. 375,655	* 11/1996	King .....	D7/510 X	2,619,245	11/1952	Levi .	
D. 381,042	7/1997	Roche .		2,780,379	2/1957	Ferguson .	
D. 405,372	2/1999	Yucknut .		3,021,977	2/1962	Hester .	
D. 408,689	4/1999	Kato .		3,469,727	9/1969	Acton .	
D. 409,451	5/1999	Kato et al. .		3,506,459	* 4/1970	Parlour .....	426/120
D. 418,758	1/2000	Yucknut .		3,760,968	9/1973	Amberg et al. .	
D. 427,427	7/2000	Davis .		3,967,756	7/1976	Barish .	
D. 428,813	8/2000	Haley .		4,054,220	10/1977	Rosenstein .	
D. 430,021	8/2000	Goettner .		4,190,168	2/1980	Jacques .	
D. 430,022	8/2000	Goetter .		4,483,890	11/1984	Beery et al. .	
D. 445,030	* 7/2001	Croft et al. ....	D9/502	4,669,640	6/1987	Ando et al. .	
D. 445,337	* 7/2001	Croft et al. ....	D9/504	4,830,273	5/1989	Kalberer et al. .	
D. 447,057	* 8/2001	Bezek et al. ....	D9/504	4,883,935	* 11/1989	Fairchild et al. ....	219/734
D. 447,418	* 9/2001	Bezek et al. ....	D9/504	4,934,590	6/1990	Robichaud et al. .	
D. 447,693	* 9/2001	Warner et al. ....	D9/503	5,108,029	4/1992	Abrams et al. .	
2,076,132	4/1937	Le Rose .		5,139,163	8/1992	Diaz .	
2,085,979	7/1937	Hothersall .		5,807,597	* 9/1998	Barnes et al. ....	426/234
2,121,041	6/1938	Morgan .		6,006,945	12/1999	Kirkland .	
2,297,285	9/1942	Bledsoe .		6,060,088	* 5/2000	Akimoto .....	426/115 X
2,346,417	4/1944	Cornwell et al. .		6,068,865	* 5/2000	Lee et al. ....	426/43

\* cited by examiner

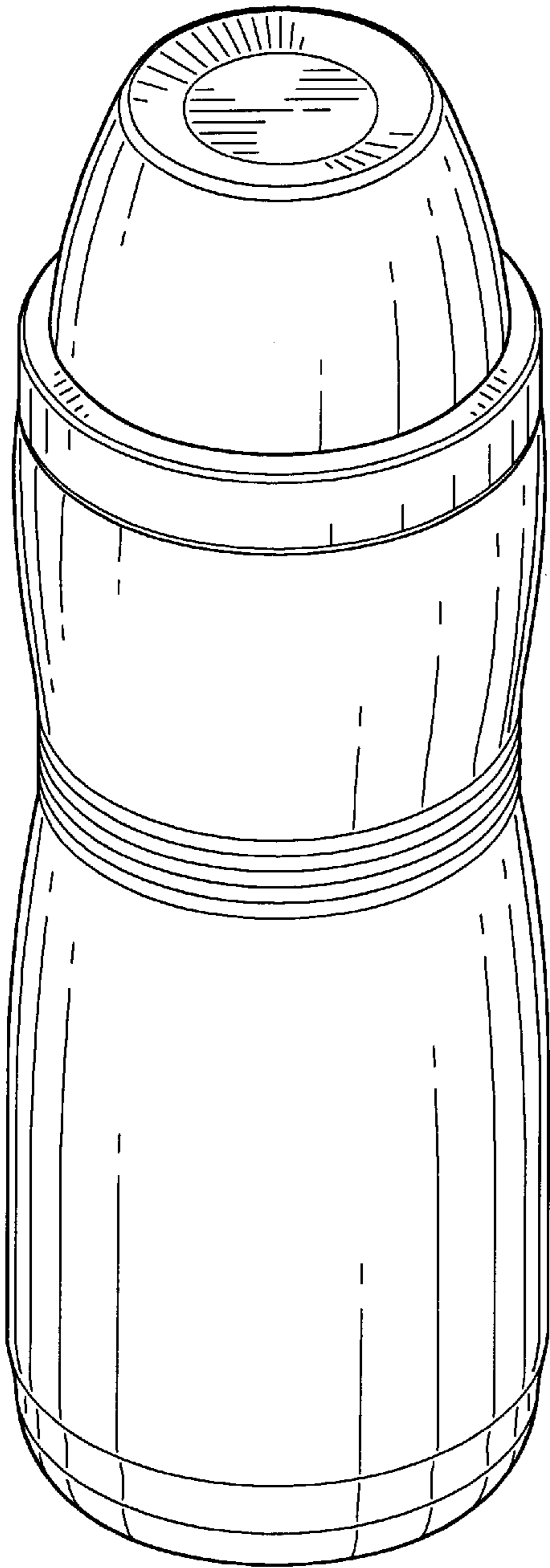


FIG. 1

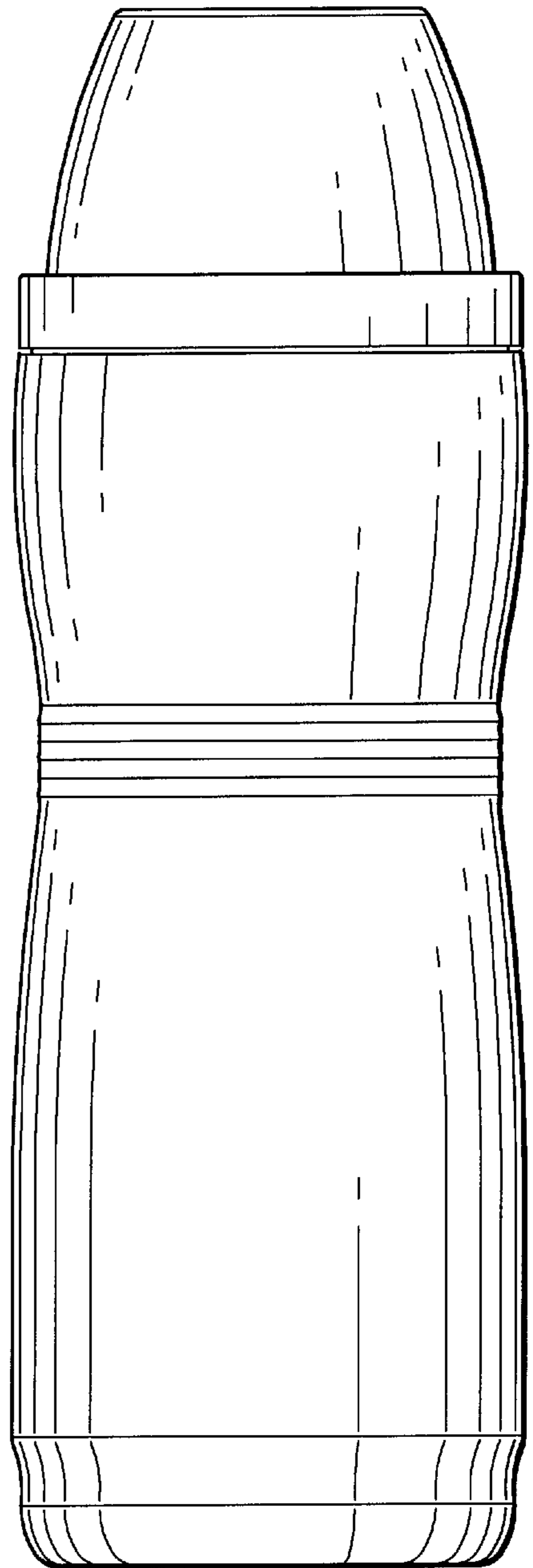


FIG. 2

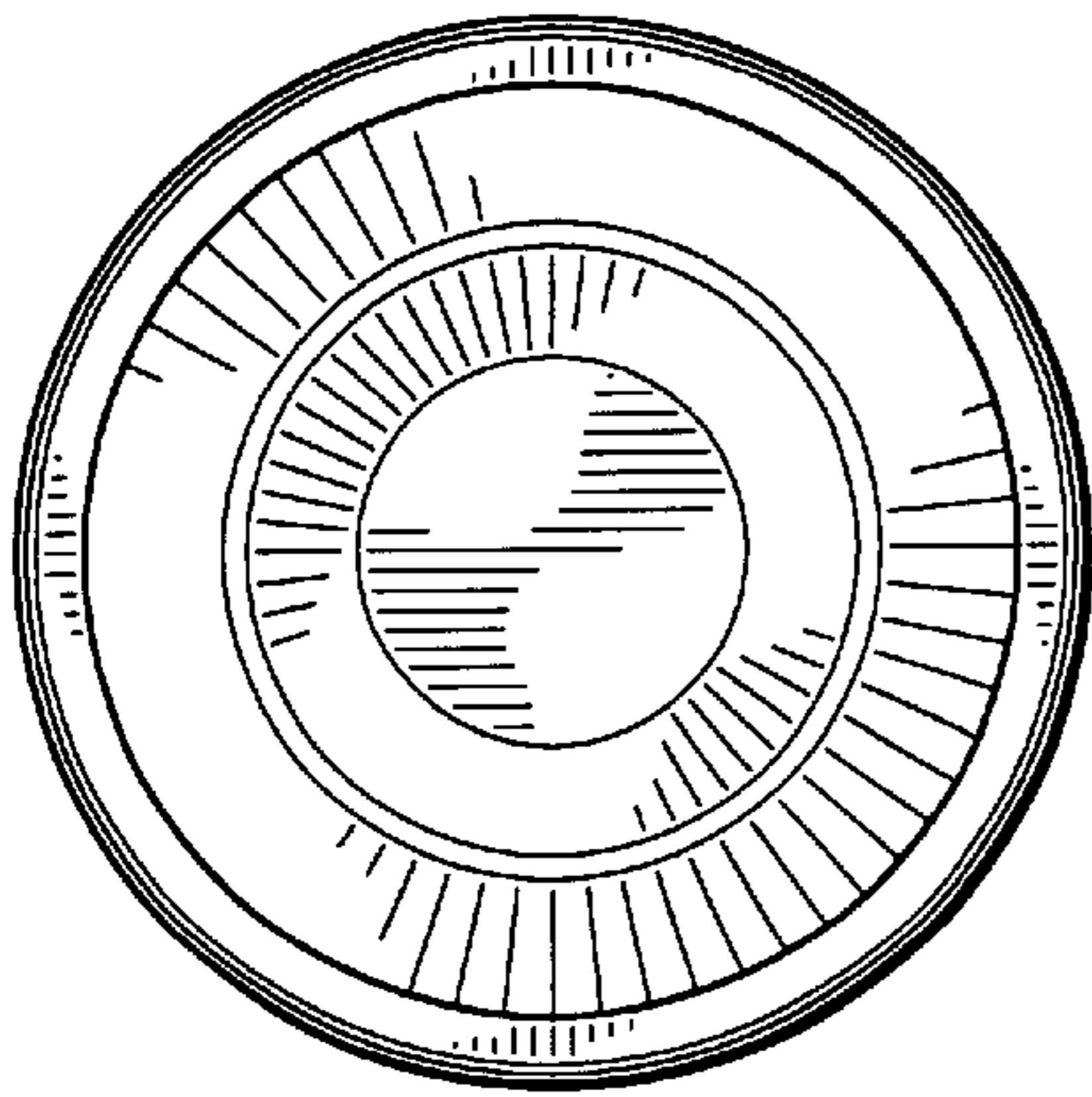


FIG. 3

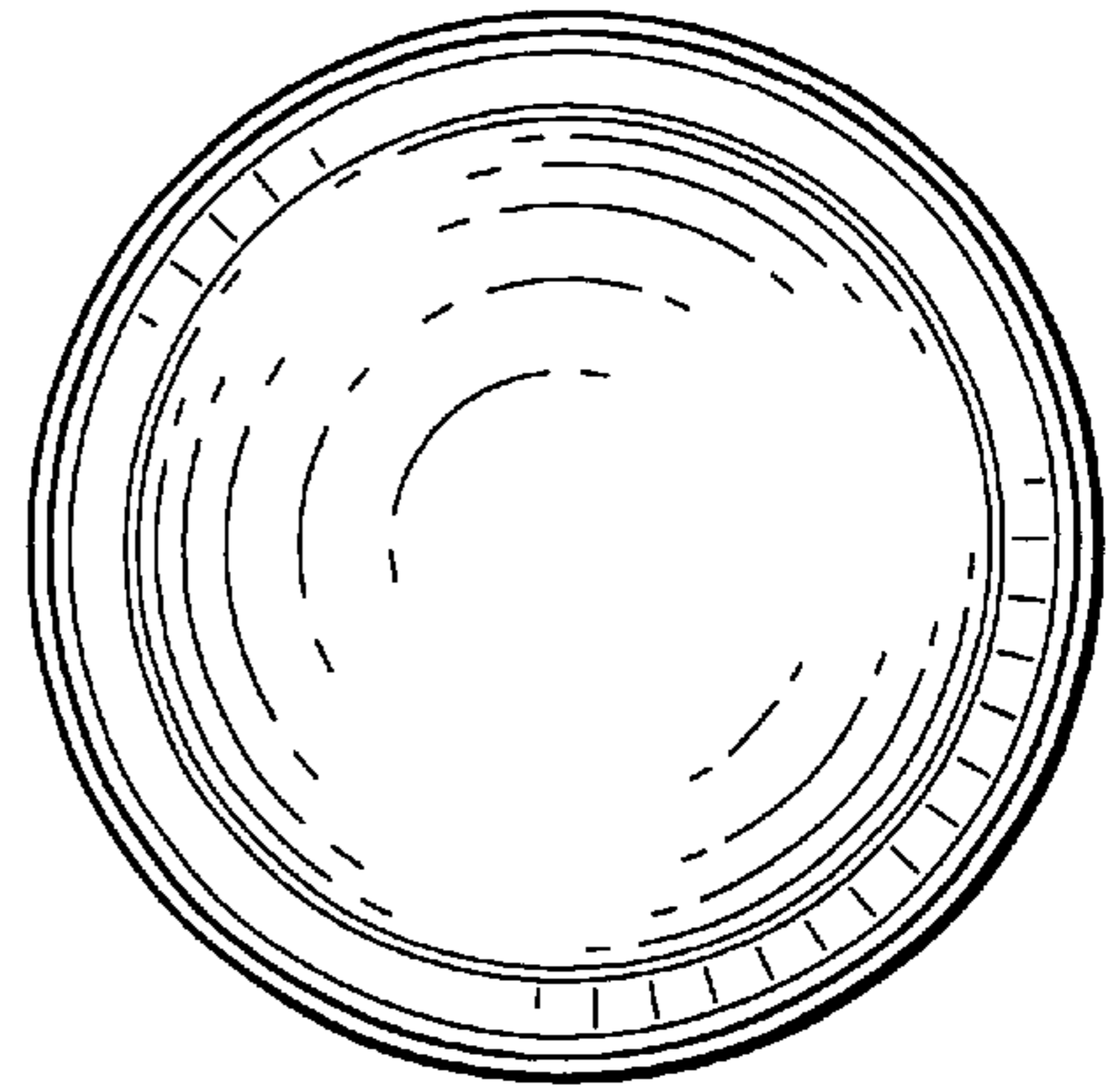


FIG. 4

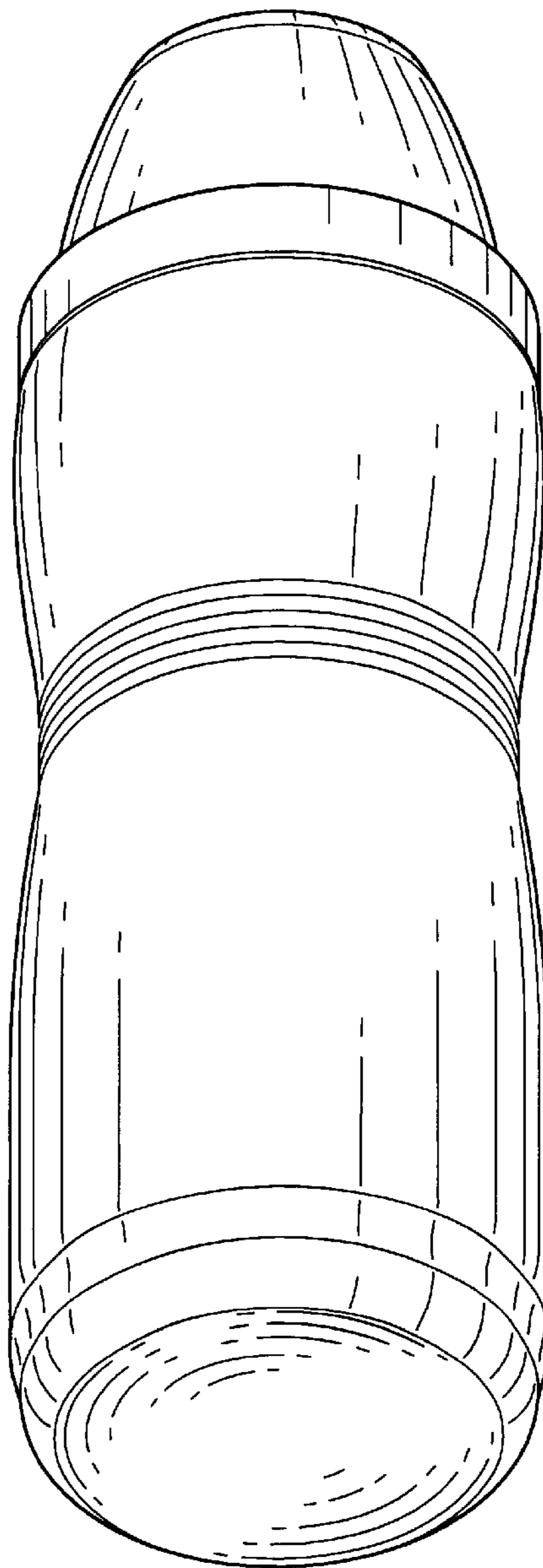


FIG. 5

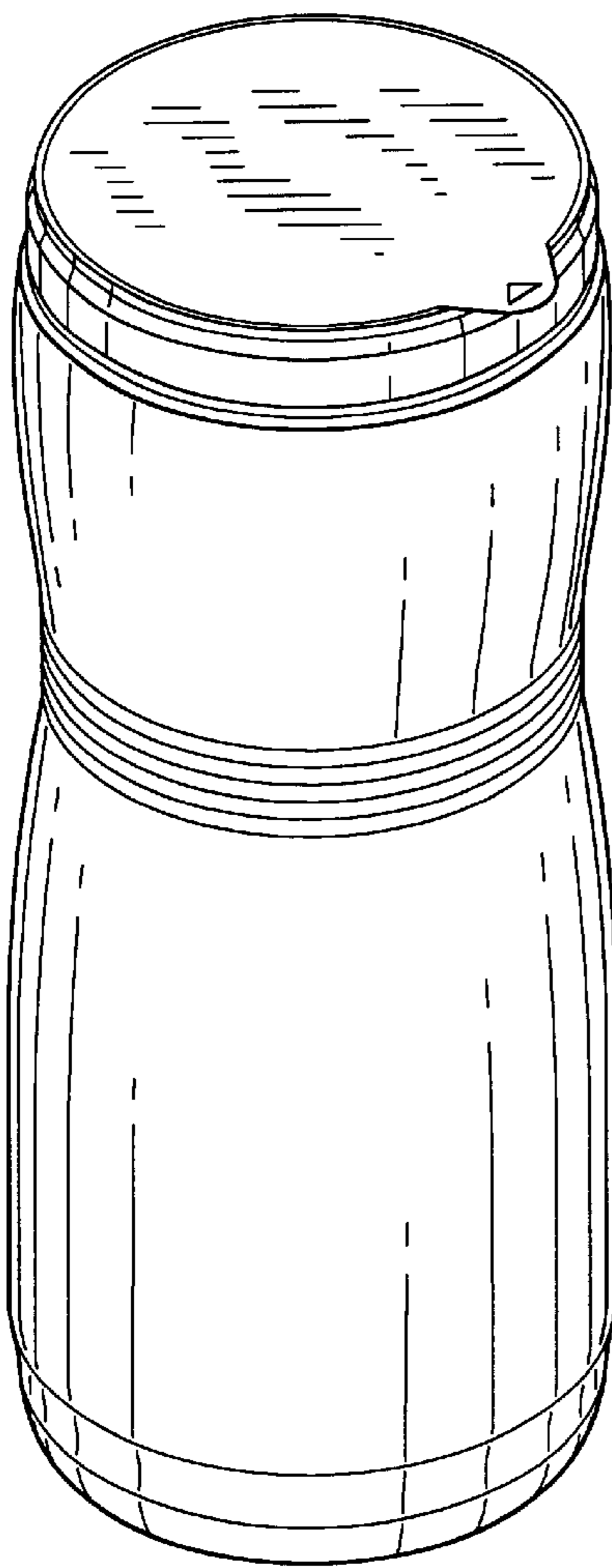
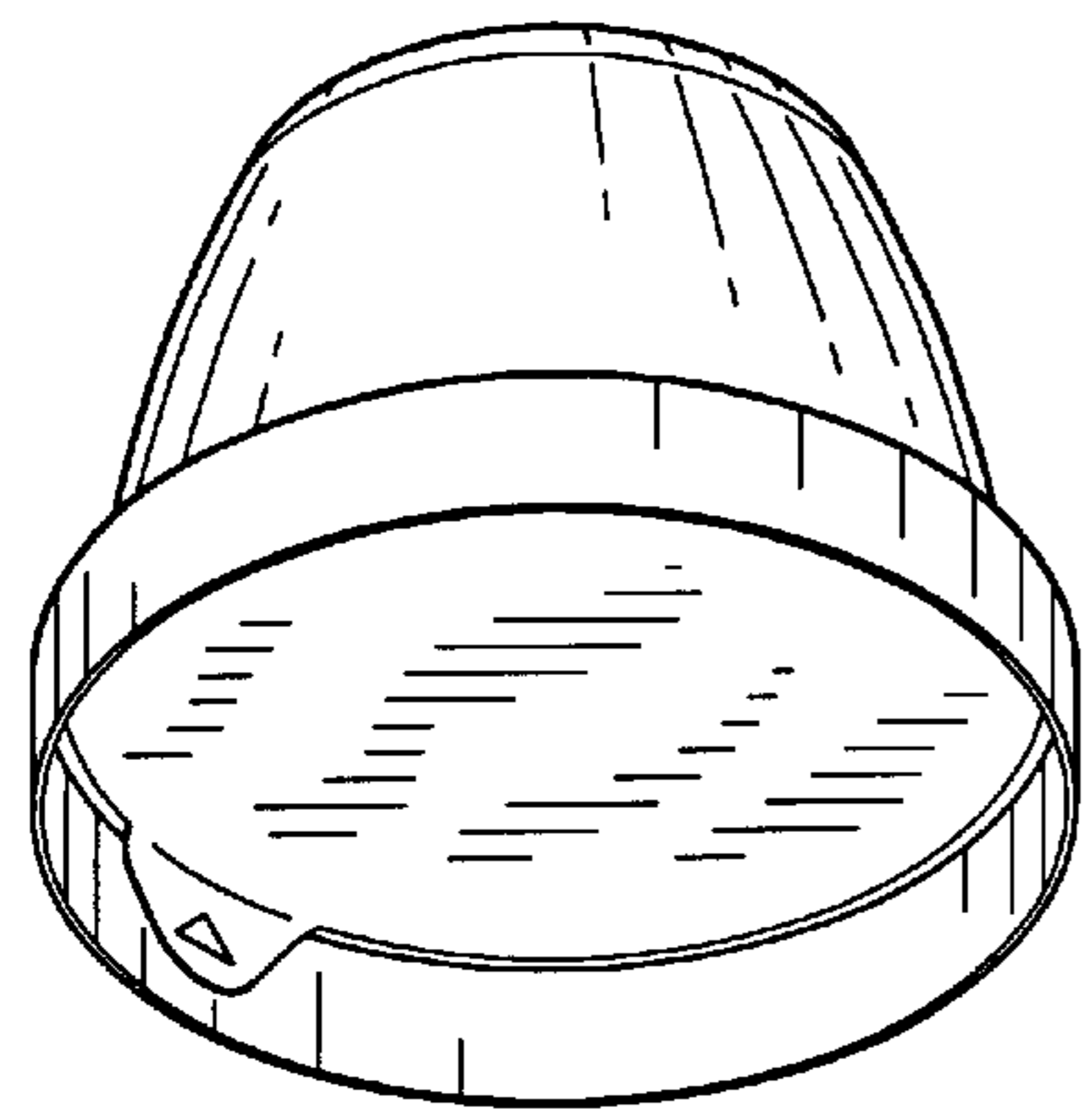


FIG. 6

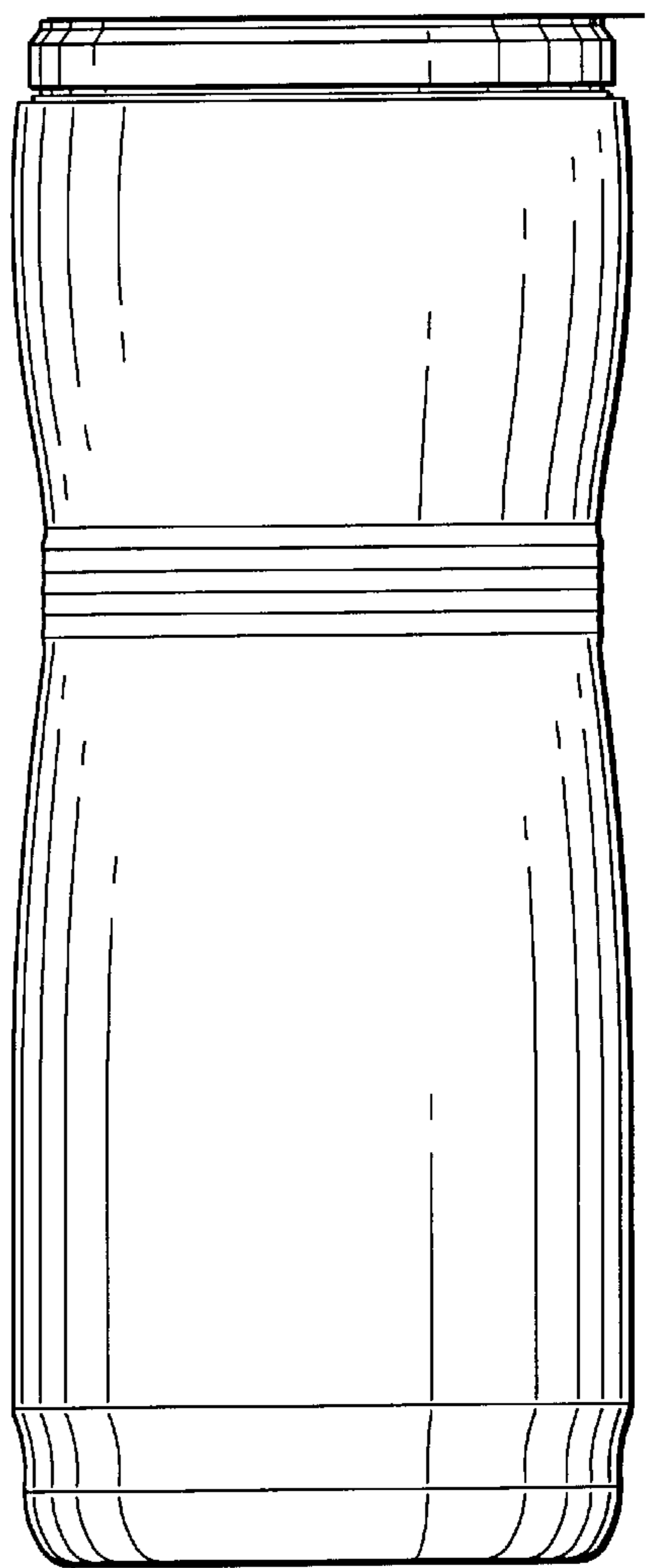
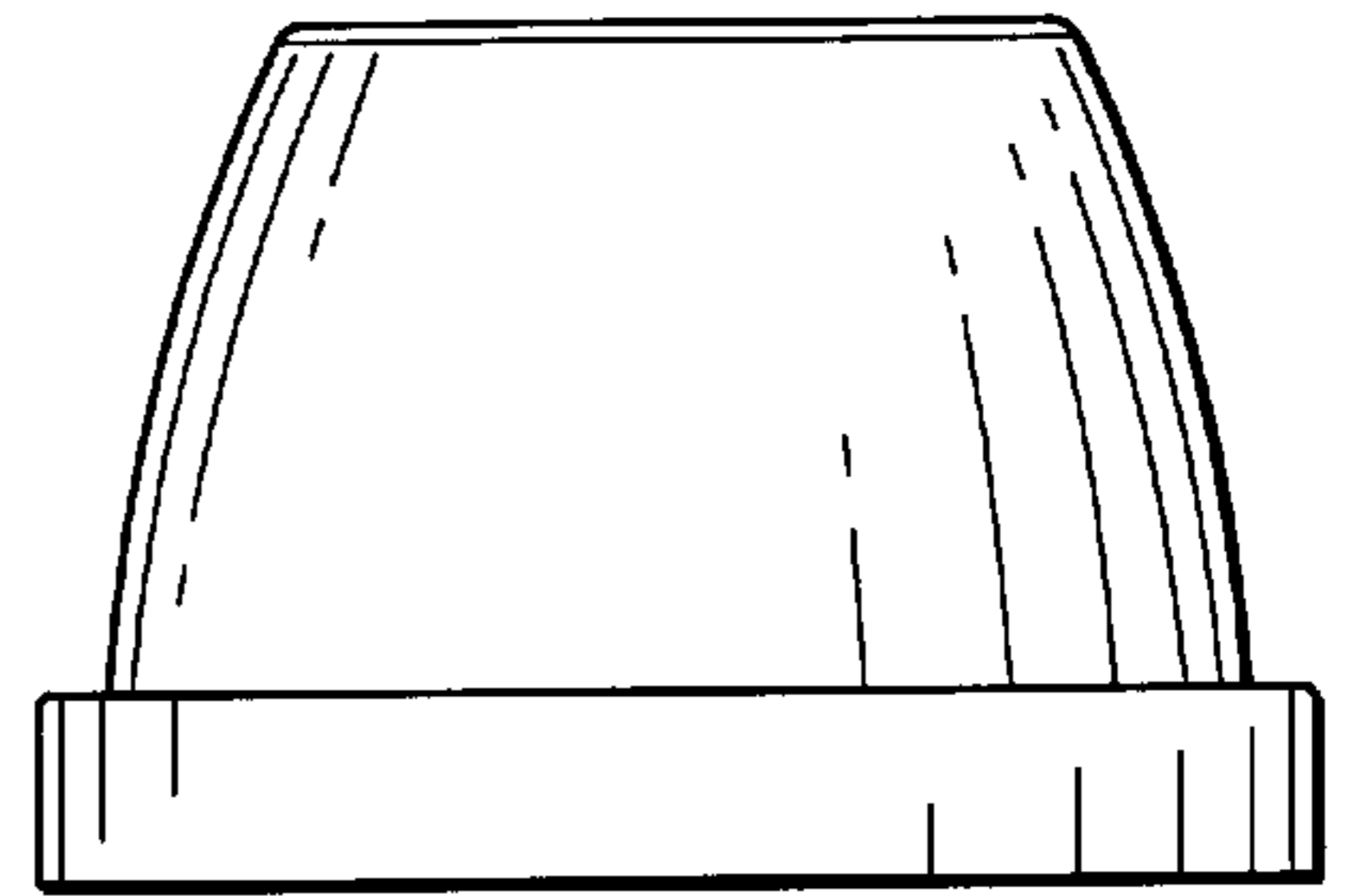


FIG. 7